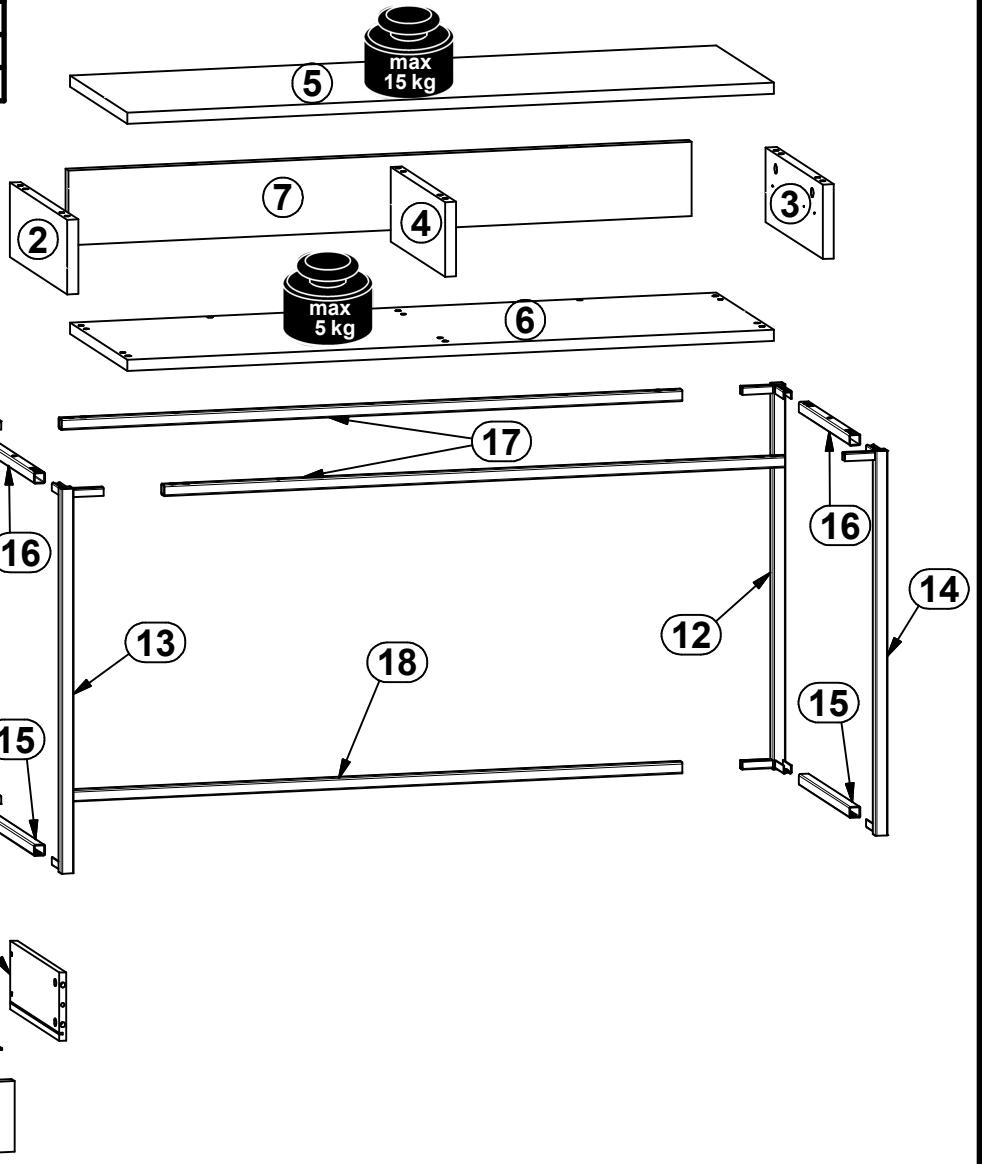
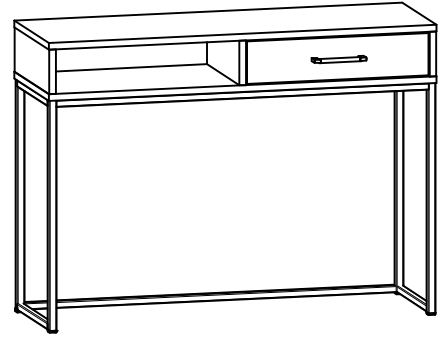
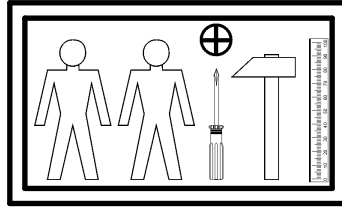
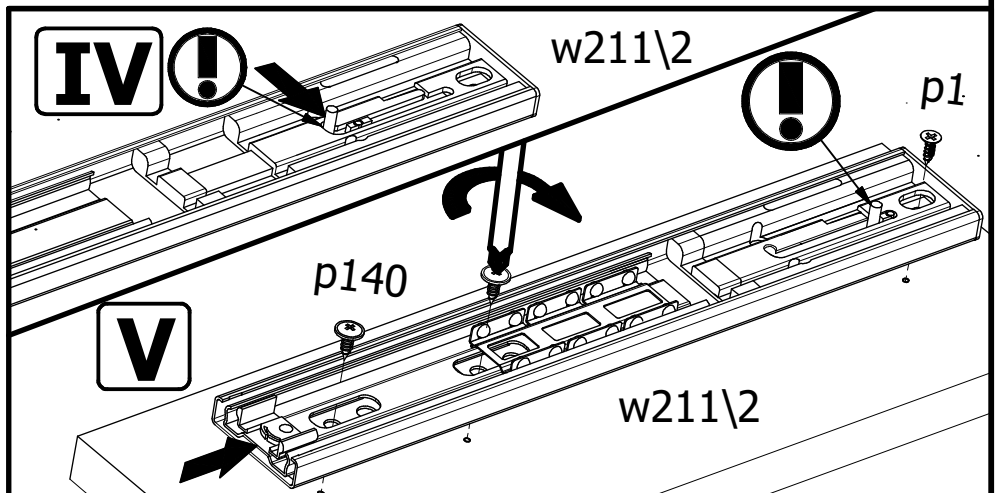
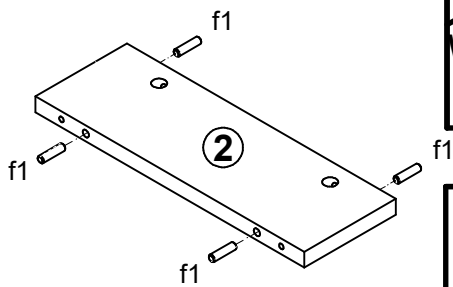
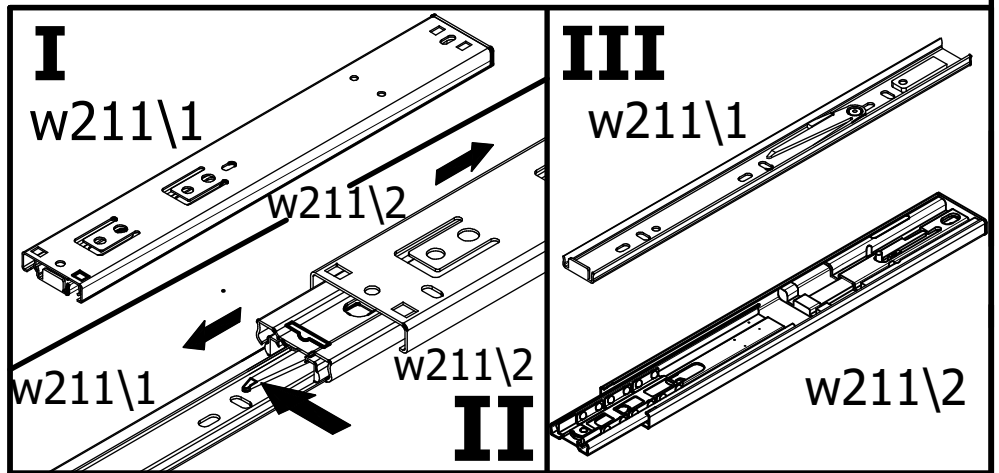
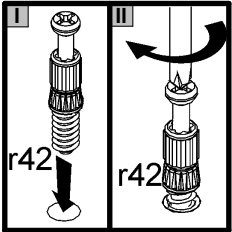
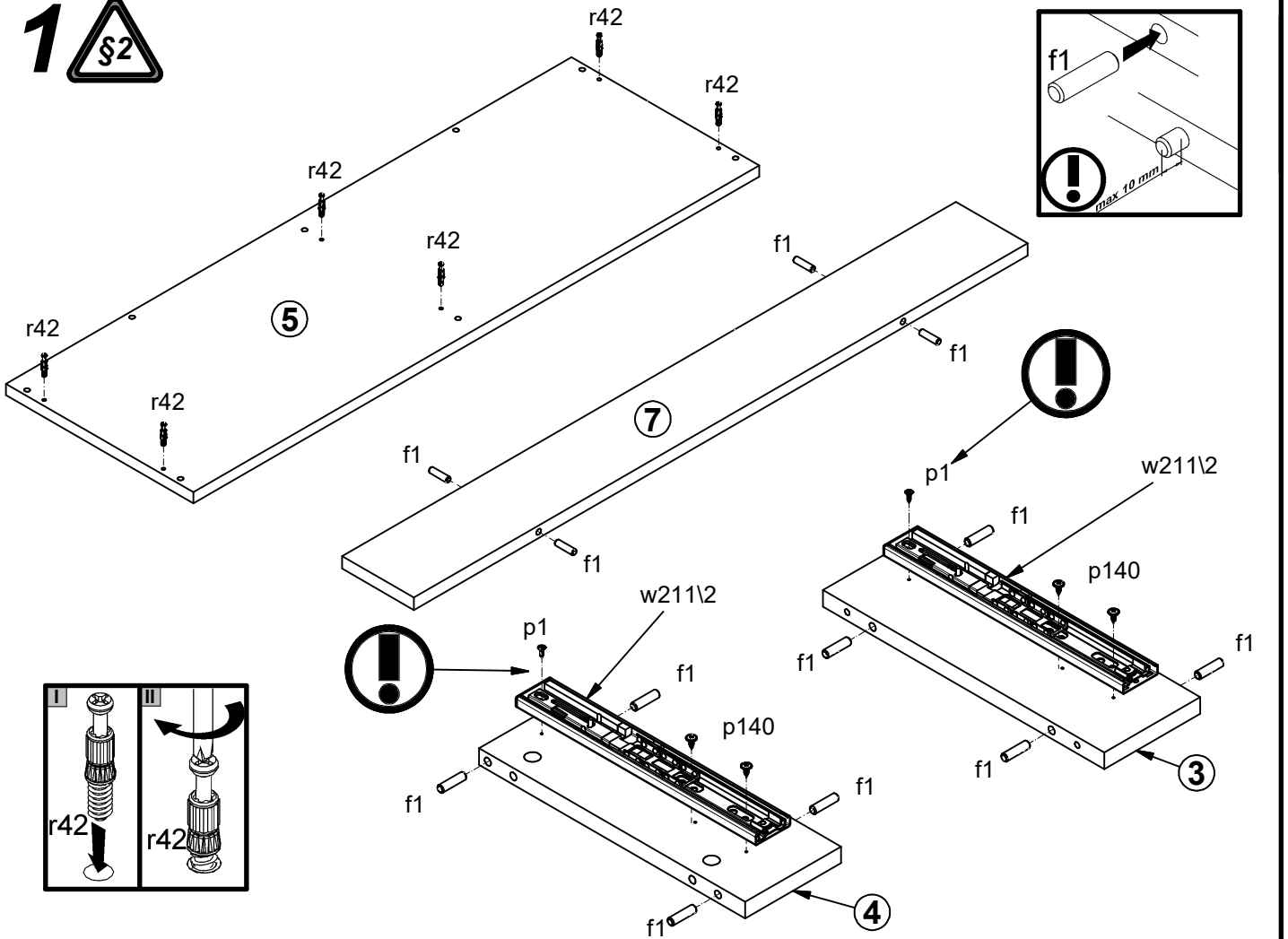


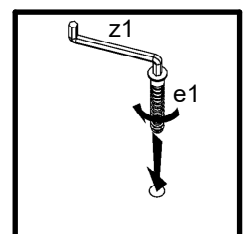
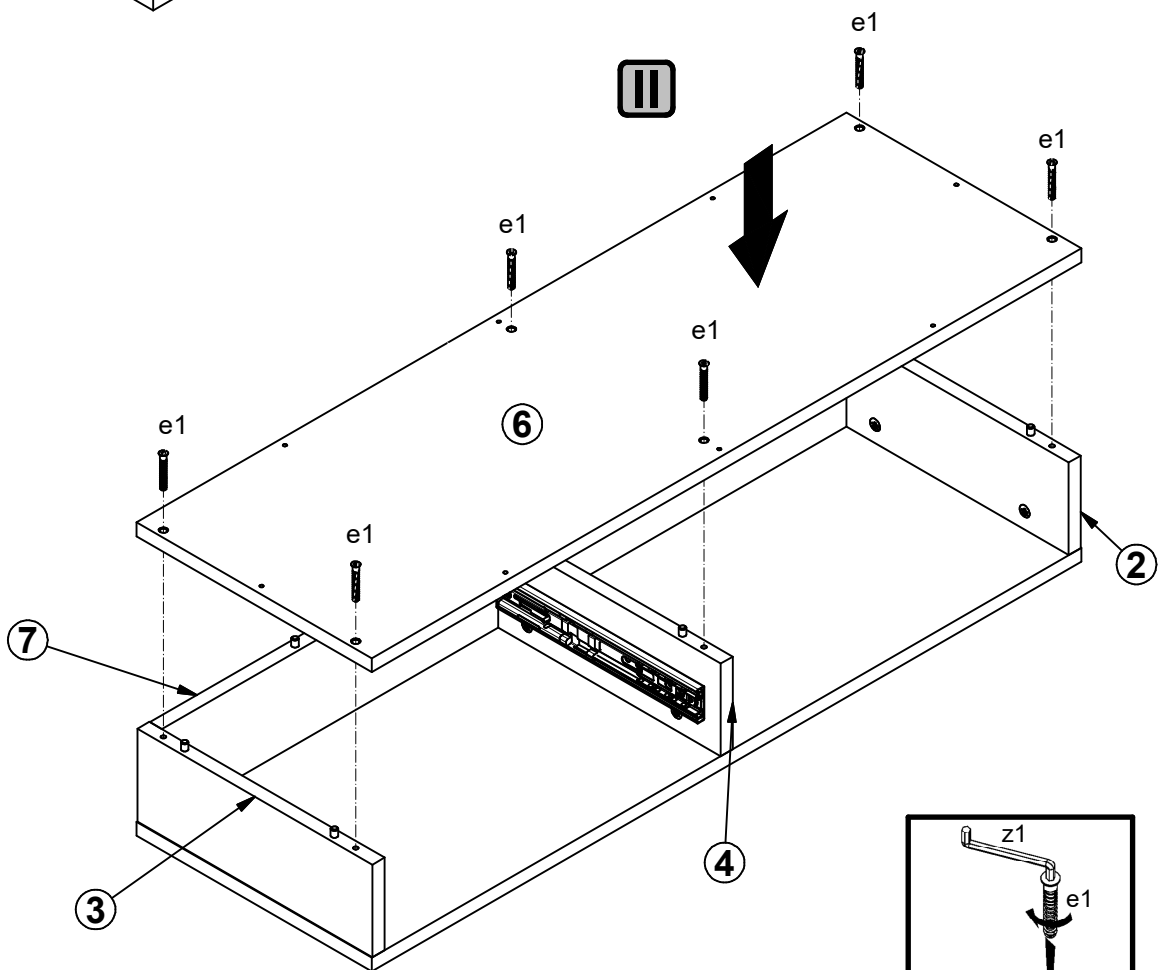
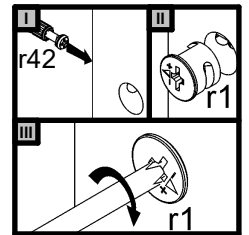
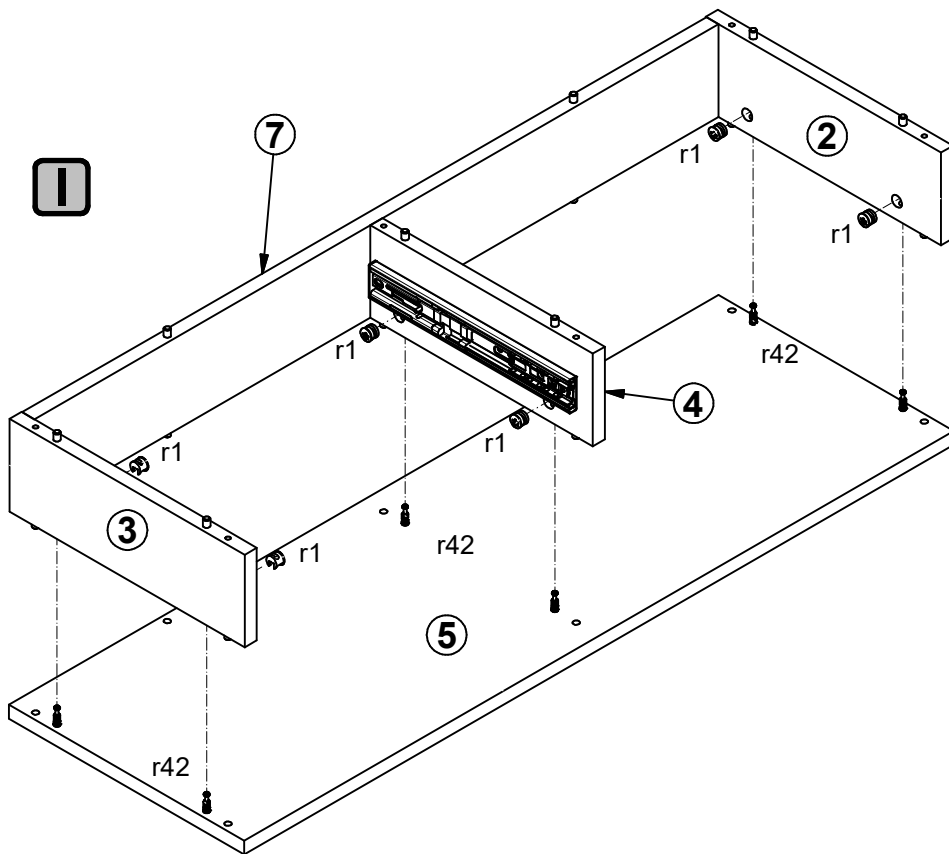
A	B	C	D	
1	B10-0001	497	114	1/2
2	B10-1001	120	352	12
3	B10-1002	120	352	1/2
4	B10-1003	120	333	1/2
5	B10-2005	1062	352	1/2
6	B10-2006	1062	352	1/2
7	B10-4001	1024	120	1/2
8	B10-9001	463	305	1/2
9	ZK3-5090	453	97	1/2
10	ZK4-521	300	110	1/2
11	ZK4-522	300	110	1/2
12	k133\18			2/2
13	k133\17L			2/2
14	k133\17P			2/2
15	k133\48			2/2
16	k133\49			2/2
17	k133\50			2/2
18	k133\51			2/2



1x 128 mm c514	6x Ø7x50 mm e1	8x Ø6,3x26 mm e52	16x Ø8x30 mm f1	2x Ø6x30 mm f9	4x Ø6,5x40 mm f25	2x M4x25 mm j8	28x M5x12 mm j173	4x 20x20 k133\5
2x Ø3,5x13 mm p1	3x Ø3,5x16 mm p38	10x Ø3,5x12 mm p140	6x Ø15x12 mm #16 r1	4x Ø12x10,5 mm #12 r15	10x 20/11 r42	2x L=300 mm w211\1	2x L=300 mm w211\2	2x Ø 20mm s68
1x 4 mm z1	1x 3 mm z22							

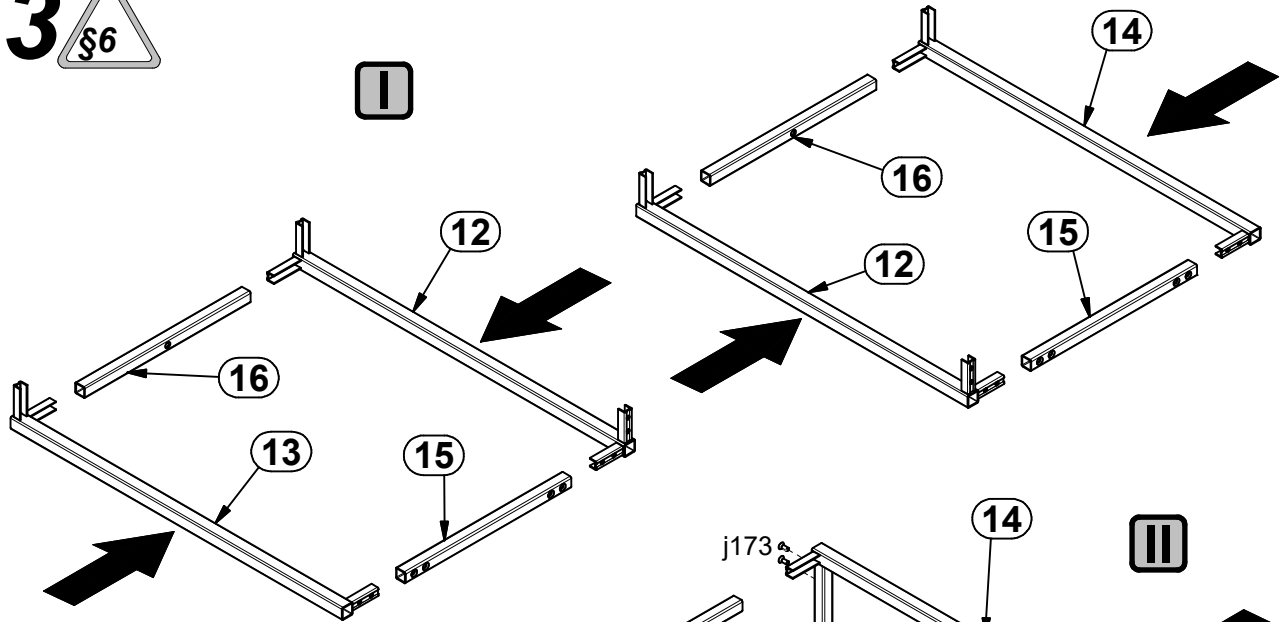
1 



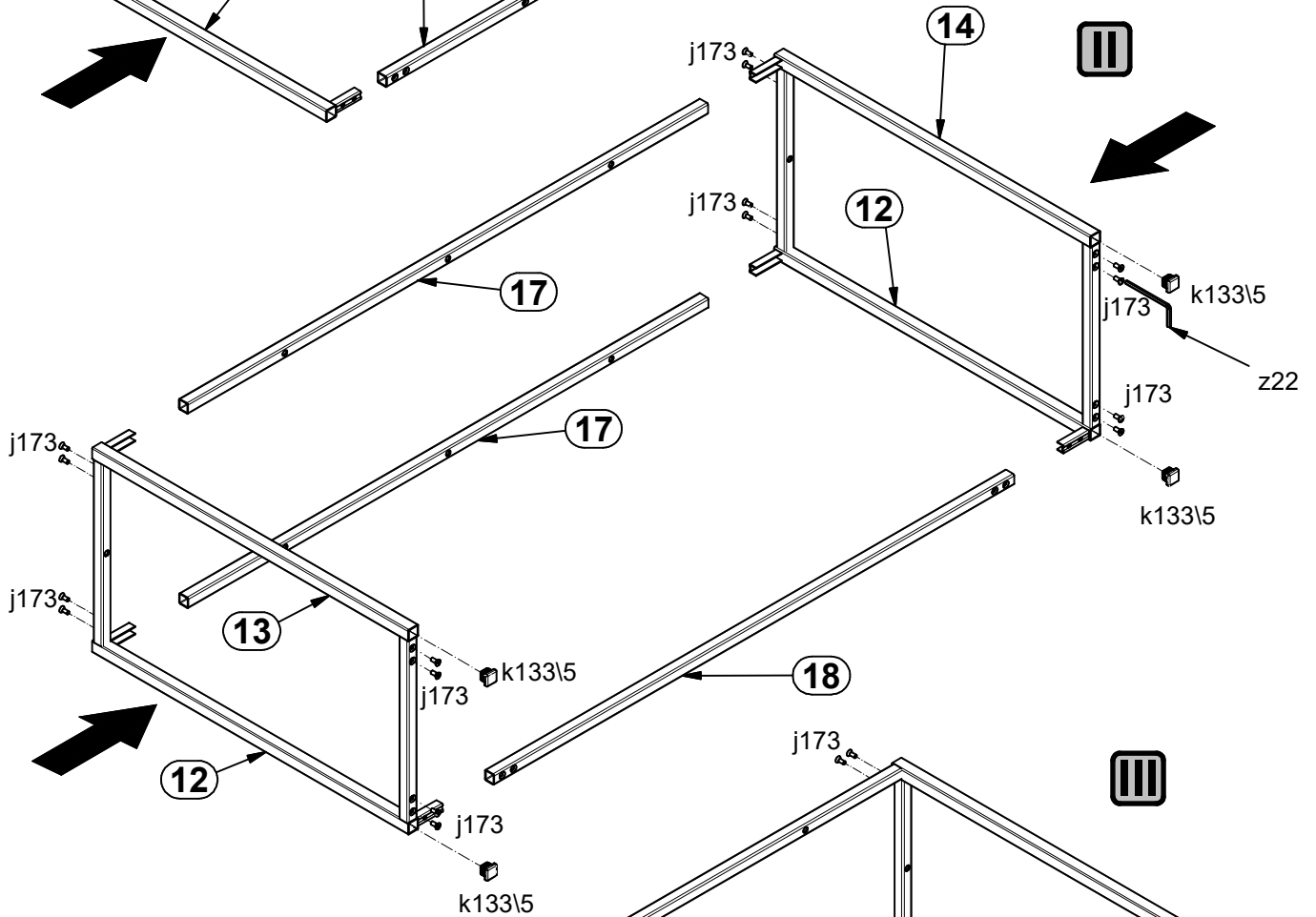


3 

I



II



III

