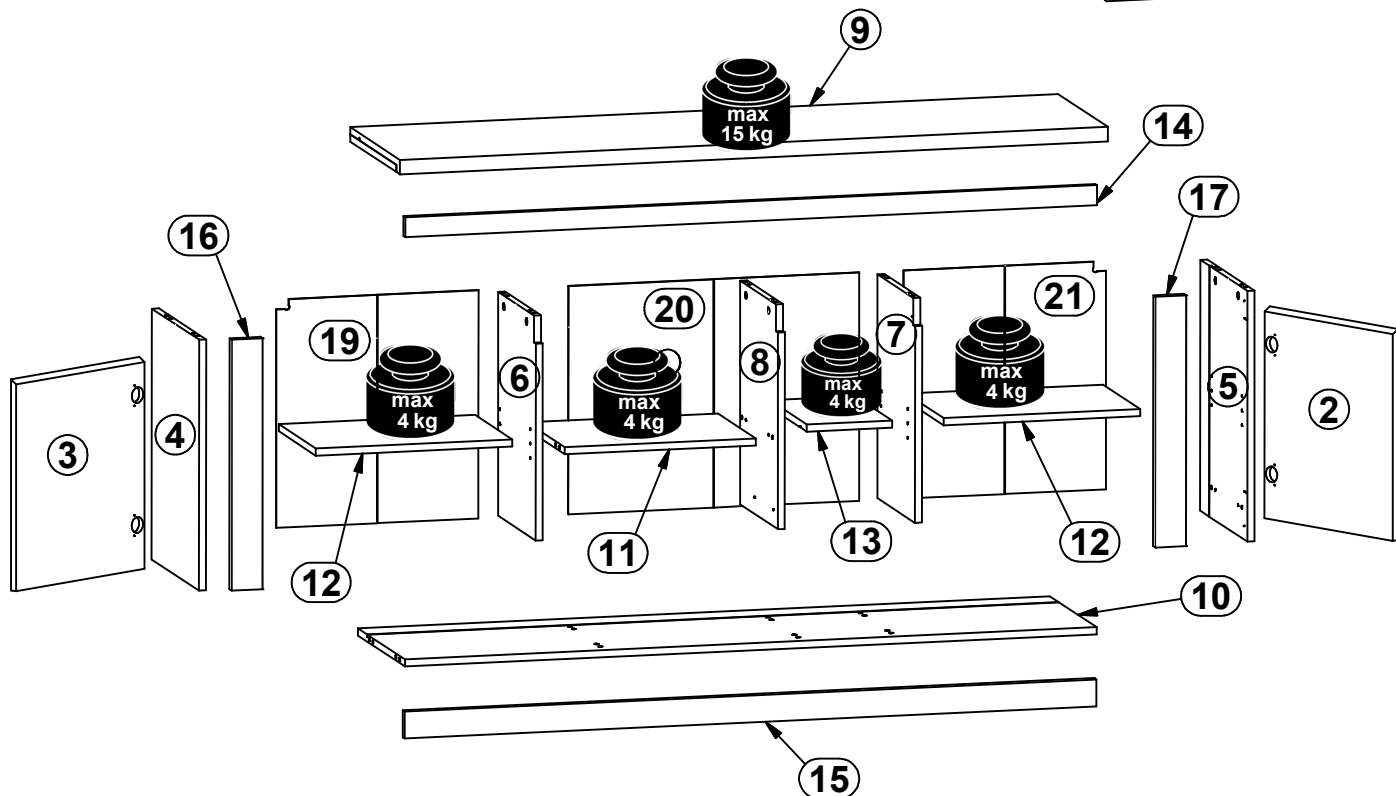
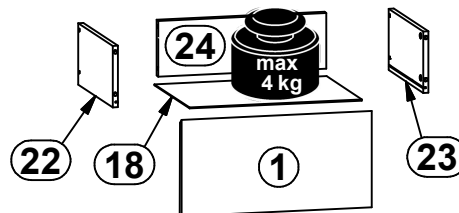
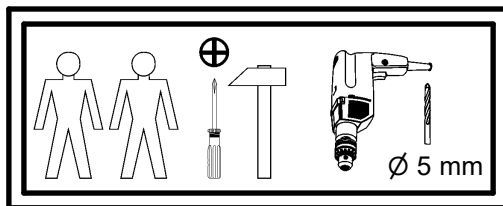
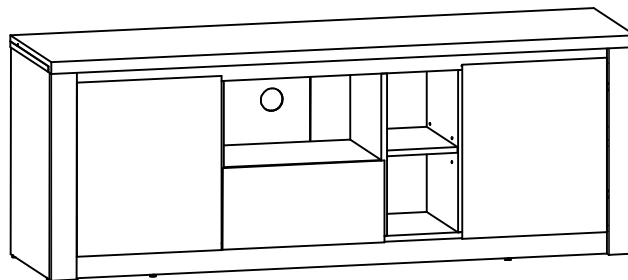
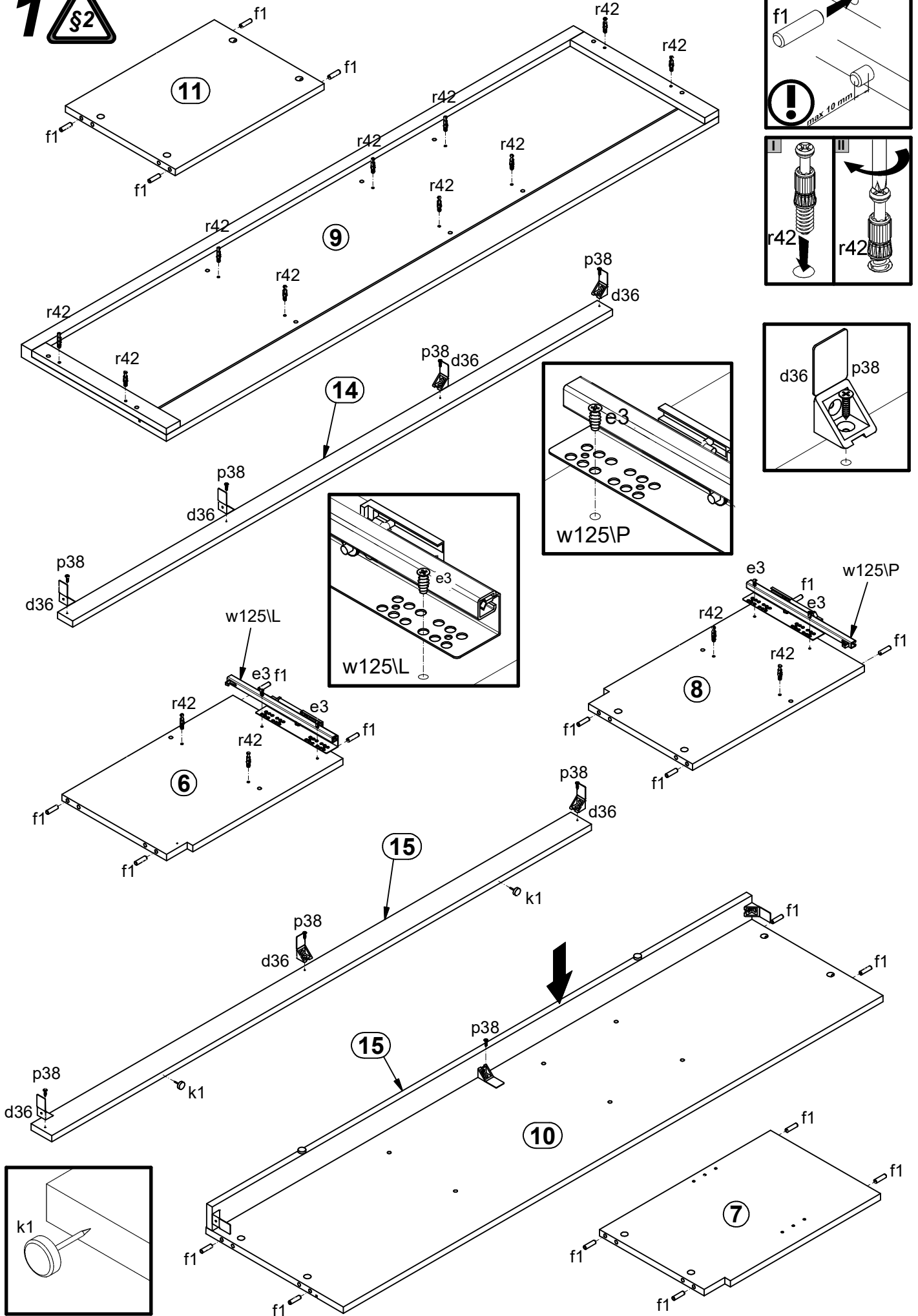


A	B	C	D	
1	S486-0006	443	220	1/2
2	S486-0007	468	396	1/2
3	S486-0021	468	396	1/2
4	S486-1013	556	398	1/2
5	S486-1014	556	398	1/2
6	S486-1015	496	318	1/2
7	S486-1016	496	318	1/2
8	S486-1017	496	318	1/2
9	S486-2004	1599	420	2/2
10	S486-3013	1563	398	2/2
11	S486-3014	431	318	2/2
12	S486-3015	444	313	2/2
13	S486-3016	193	313	2/2
14	S486-4009	1563	44	2/2
15	S486-4010	1563	60	2/2
16	S486-5005	556	70	1/2
17	S486-5006	556	70	1/2
18	S486-9004	401	307	2/2
19	S486-9307	506	457	2/2
20	S486-9308	506	657	2/2
21	S486-9317	506	457	2/2
22	ZQ6-509	300	140	2/2
23	ZQ6-510	300	140	2/2
24	ZQ6-5239	391	127	2/2

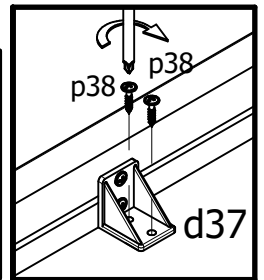
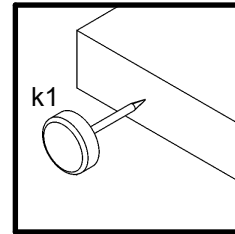
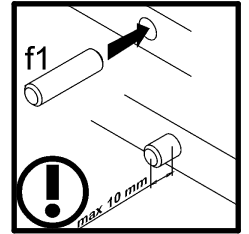
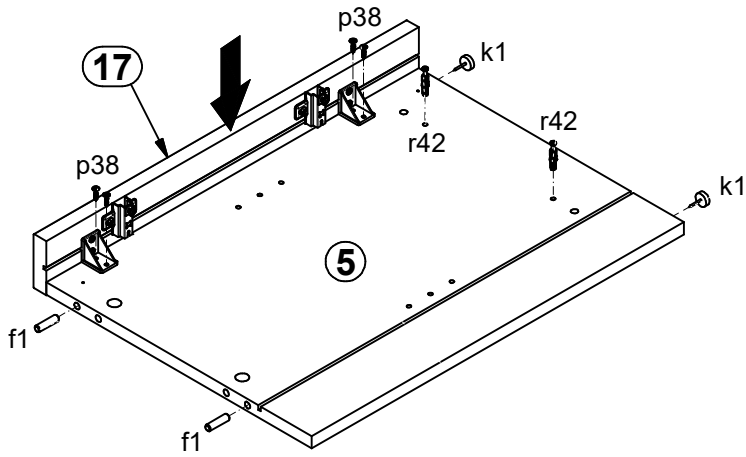
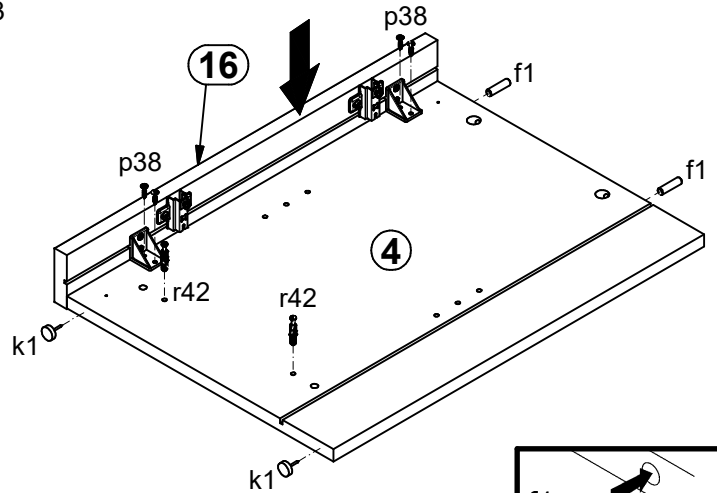
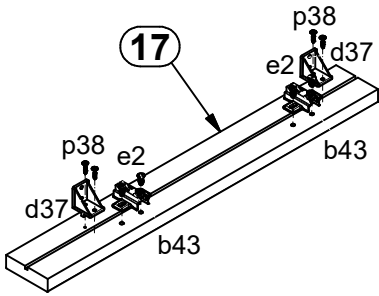
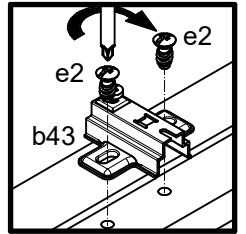
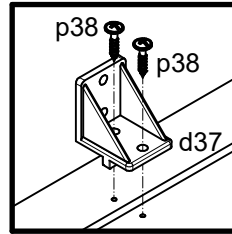
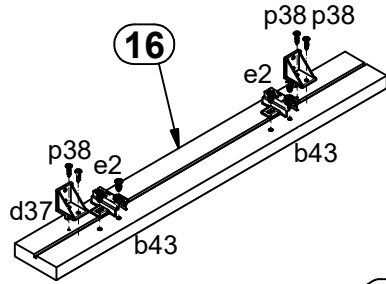
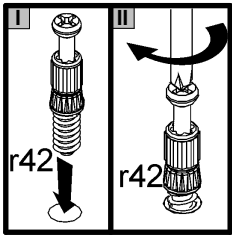


4x a132	2x a133	4x b43	12x d1 Ø5x17 mm	7x d36	4x d37	6x e1 Ø7x50 mm	8x e2 Ø6,3x13 mm	4x e3 Ø6x13 mm
24x f1 Ø8x30 mm	4x f25 Ø6,5x40 mm	6x k1	10x i2	6x n108 22x9,5x20,7 mm	30x p38 Ø3,5x16 mm	8x p51 Ø3,5x15 mm	11x p55 Ø2,9x16 mm	18x r1 Ø15x12 mm #16
4x r15 Ø12x10,5 mm #12	22x r42 20/11	1x w125/L 300mm	1x w125/P 300mm	10x s68 Ø 20mm	1x z1 4 mm	1x n26	1x p38 Ø3,5x16 mm	

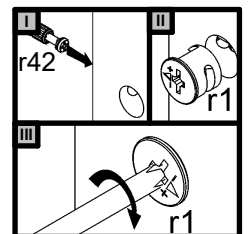
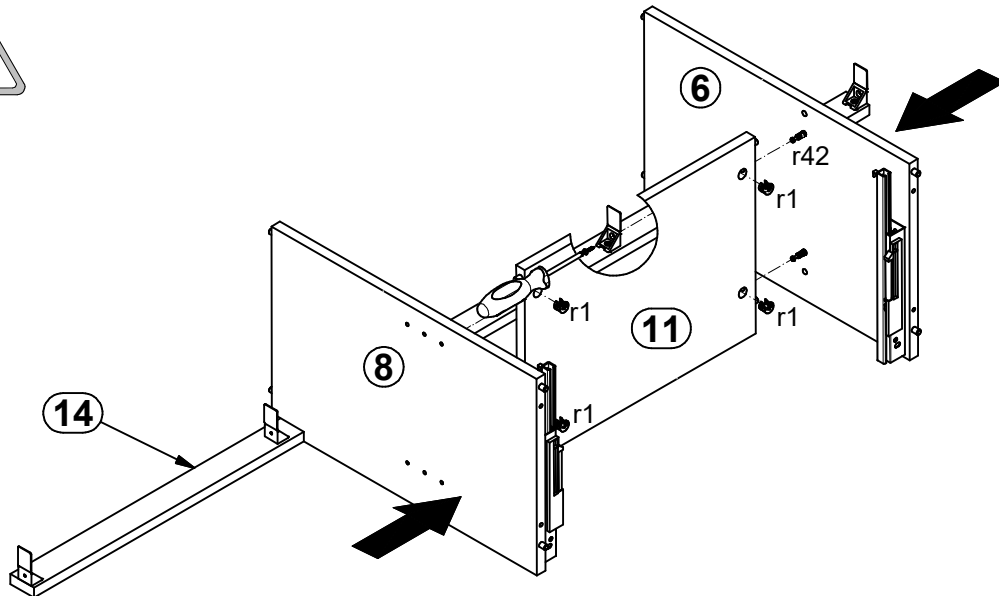
1 



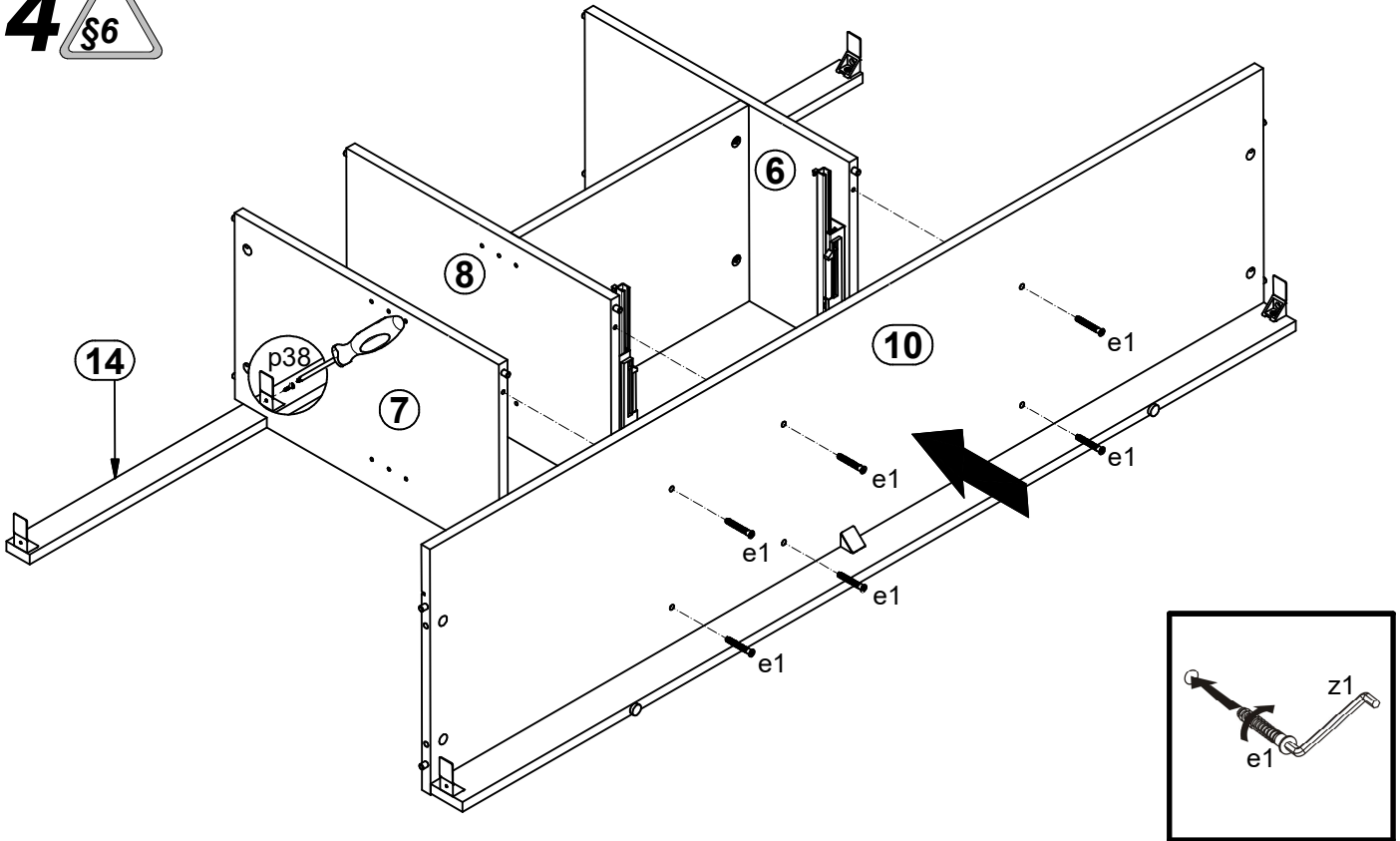
2



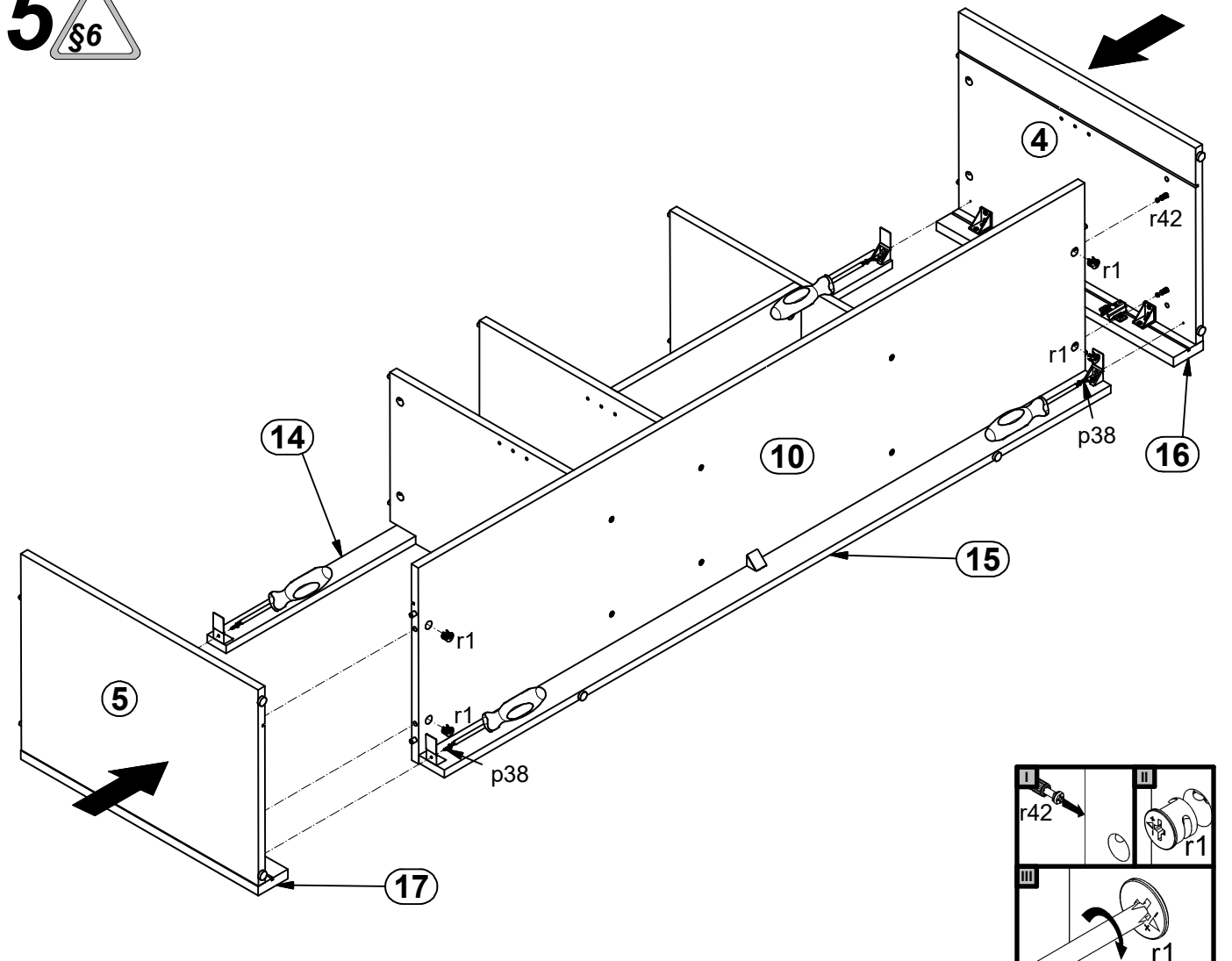
3



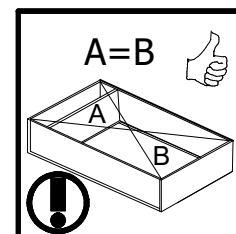
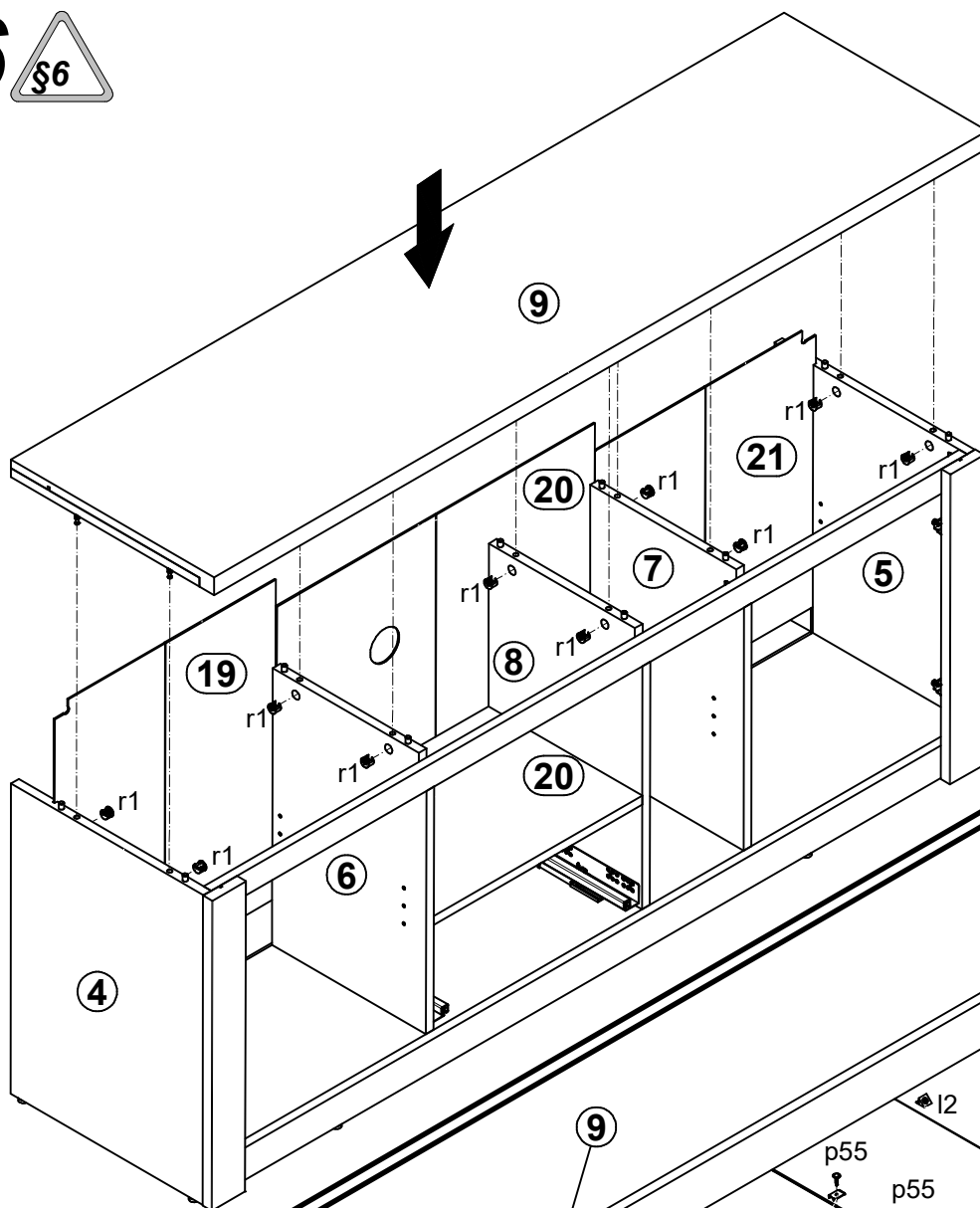
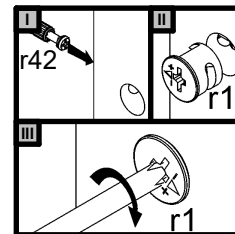
4 §6



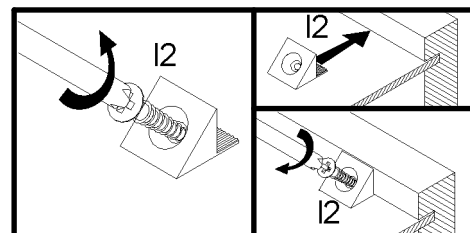
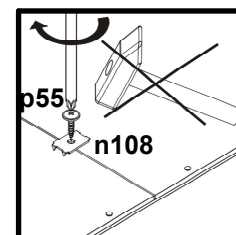
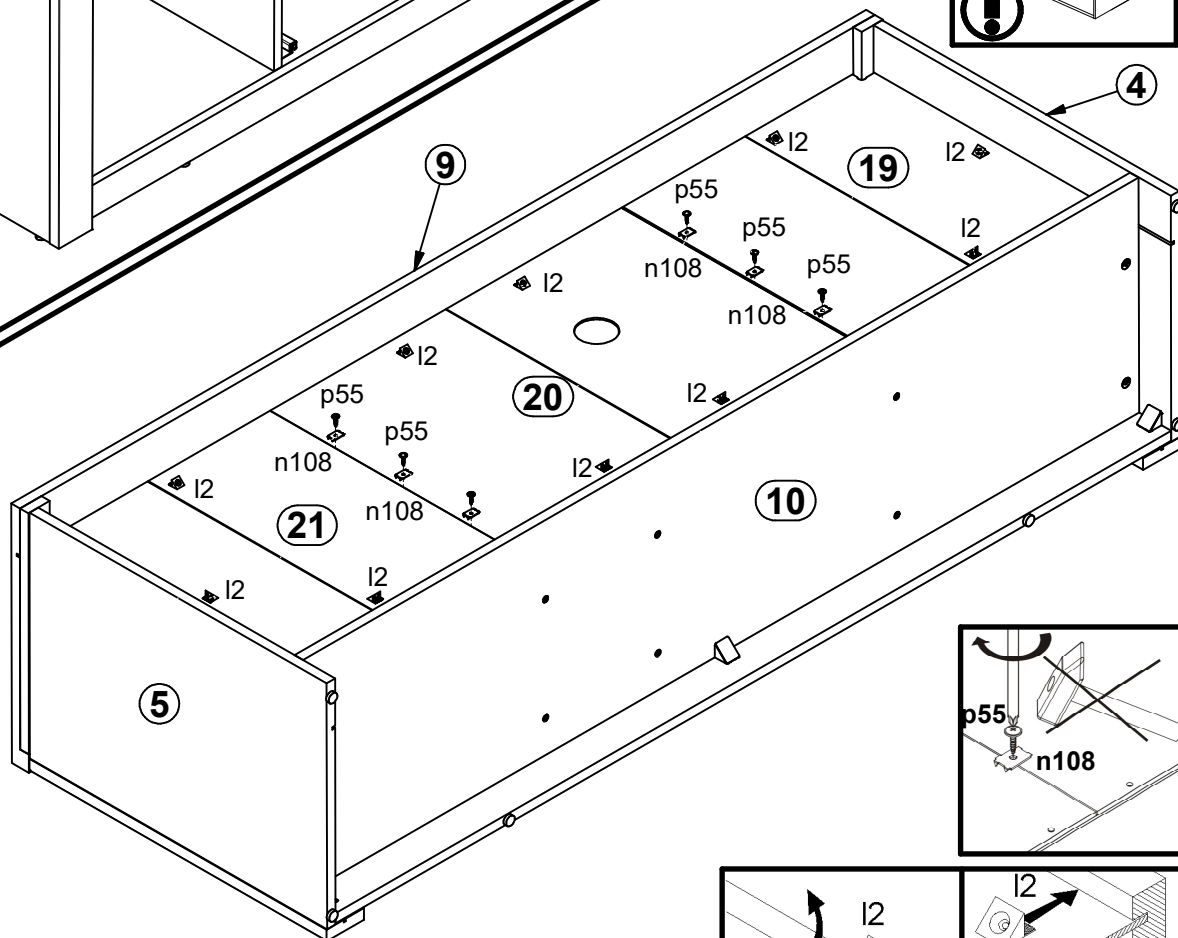
5 §6



6 §6



7 §6

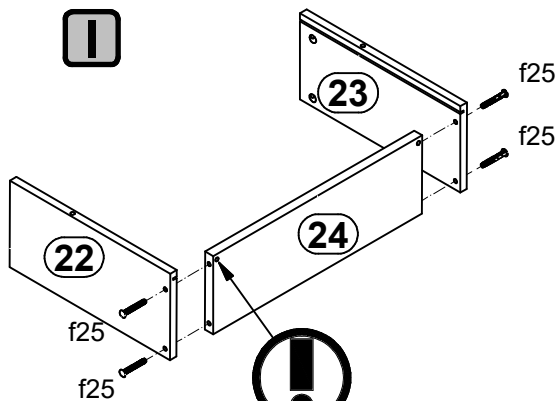


8

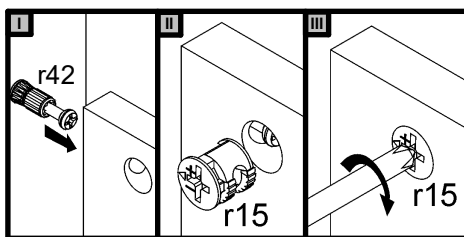
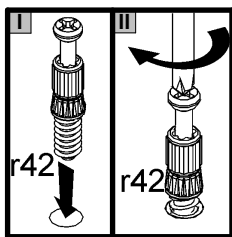
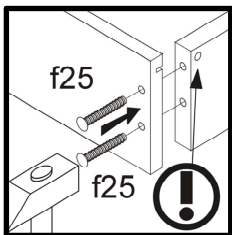
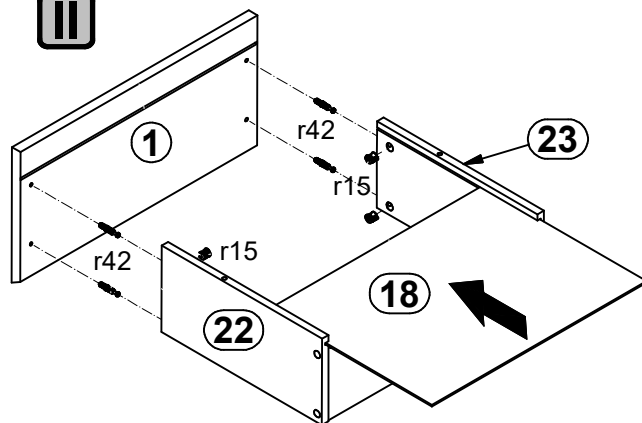
§2

§6

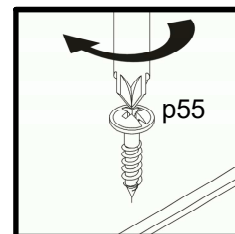
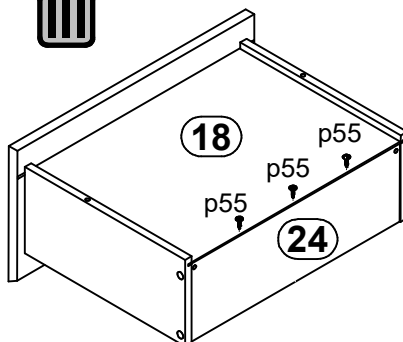
I



II

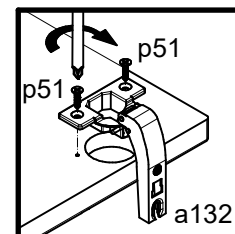
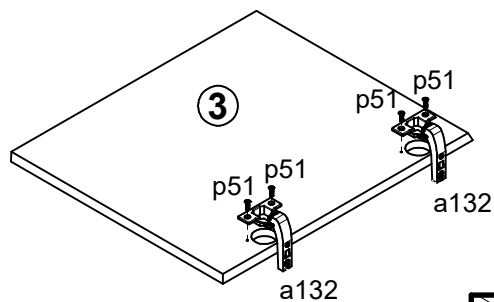
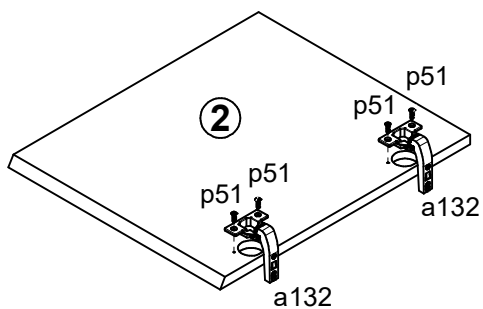


III



9

§2



10

