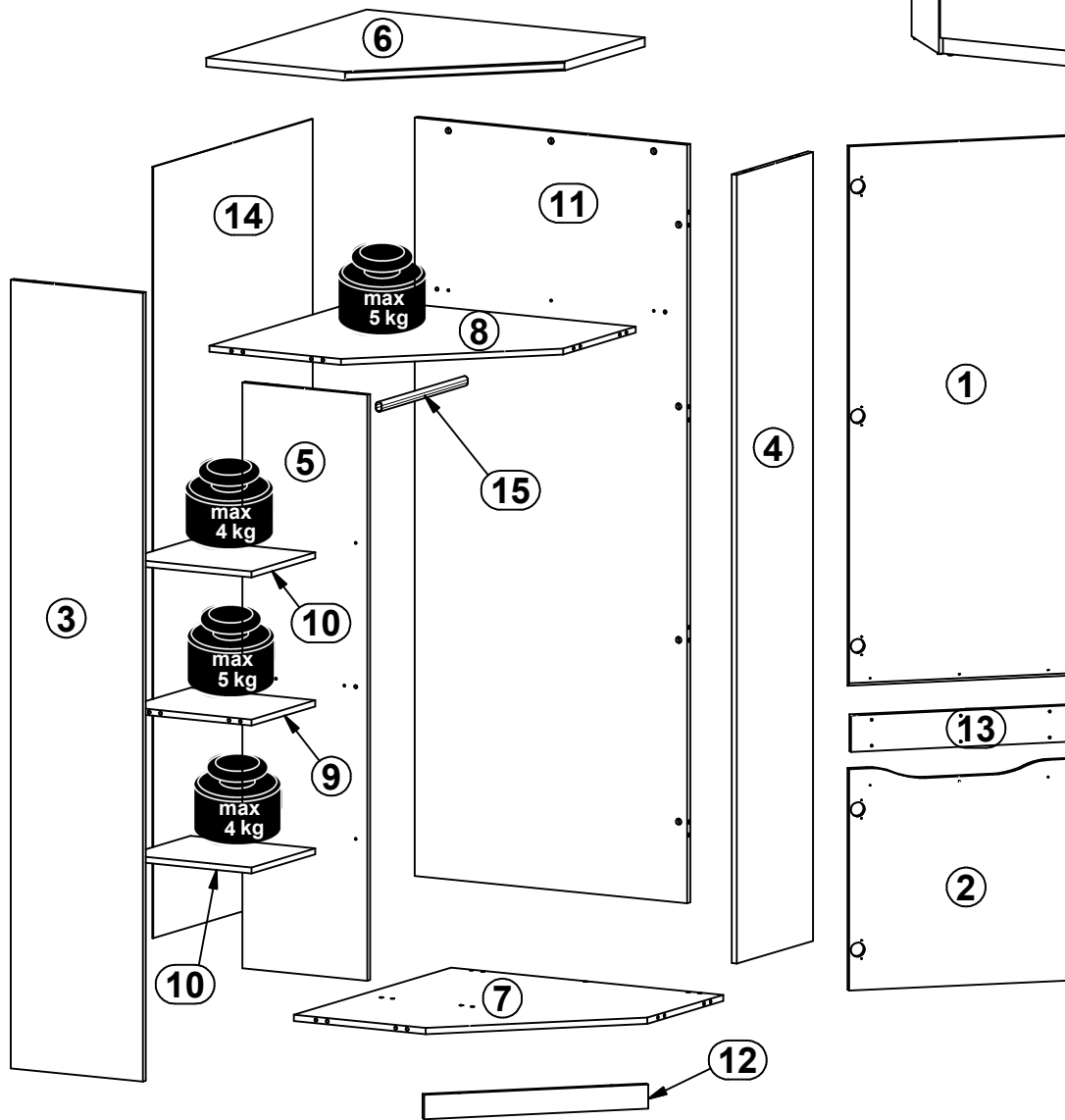
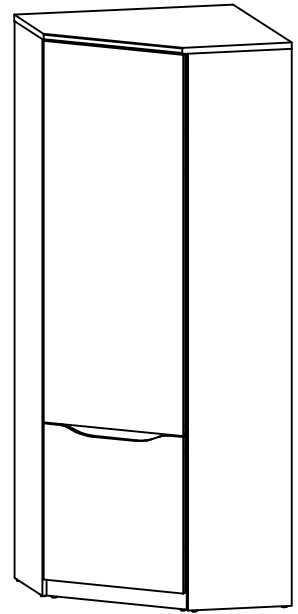
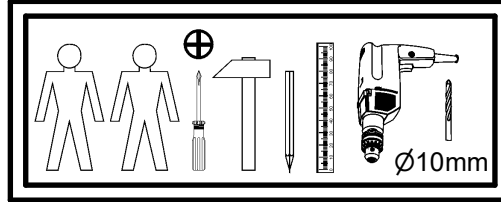
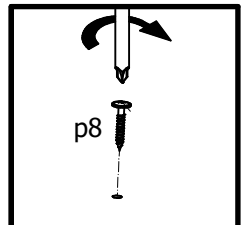
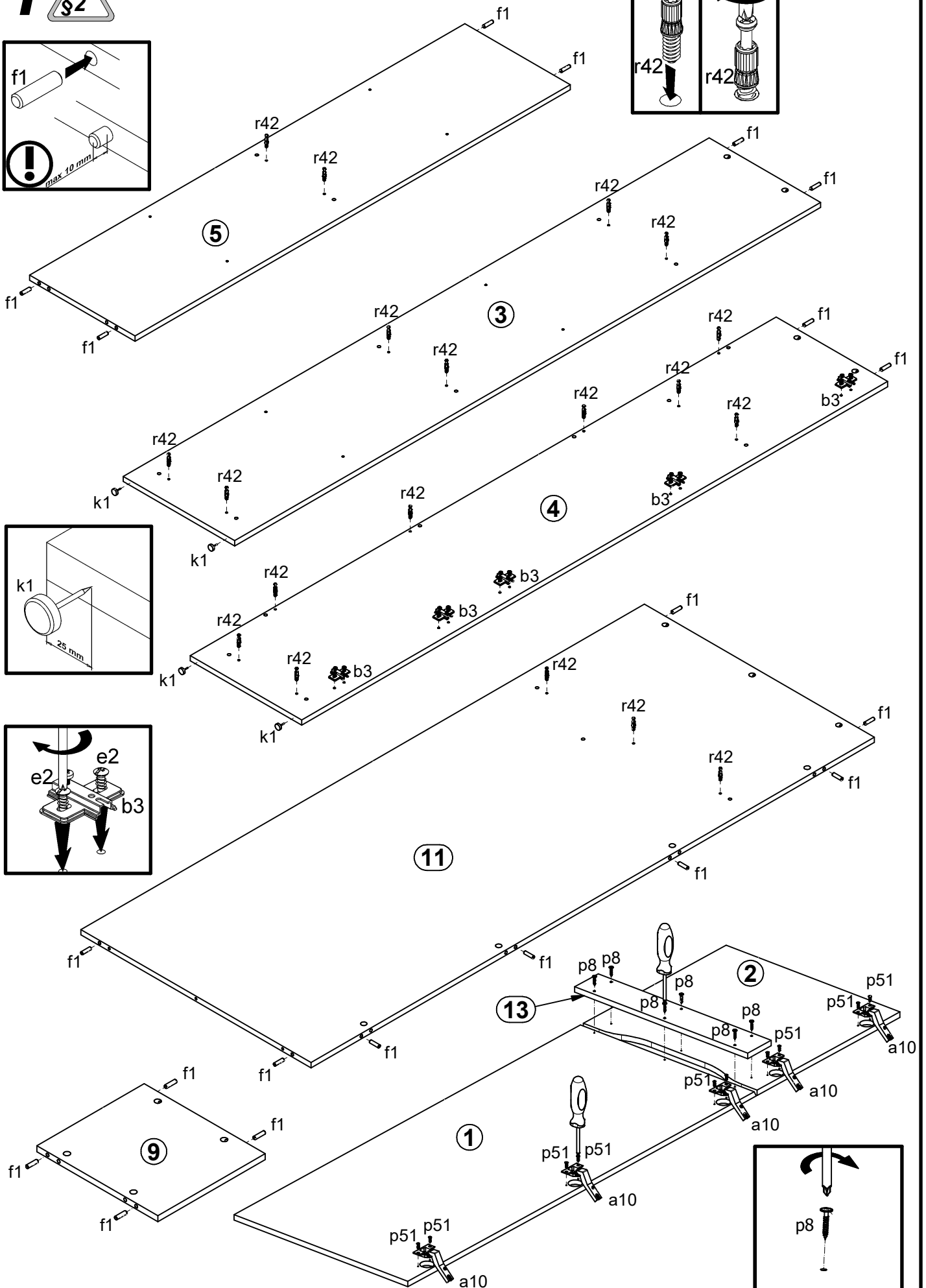
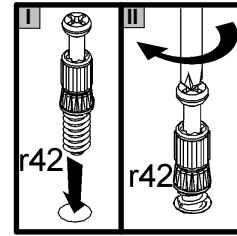
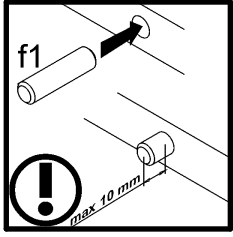


A	B	C	D
1	S396-0027	1333	554 3/3
2	S396-0028	546	554 3/3
3	S396-1036	1945	370 1/3
4	S396-1037	1945	370 1/3
5	S396-1038	1442	350 1/3
6	S396-2009	780	780 2/3
7	S396-3017	764	764 2/3
8	S396-3018	748	764 2/3
9	S396-3019	310	349 2/3
10	S396-3020	309	349 2/3
11	S396-4014	1870	764 3/3
12	S396-4015	563	60 2/3
13	S396-4016	552	90 2/3
14	S396-9012	1902	775 3/3
15	dr-418	418	22 2/3

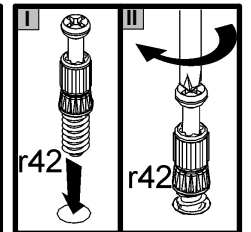
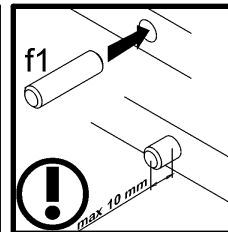
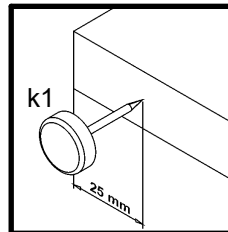
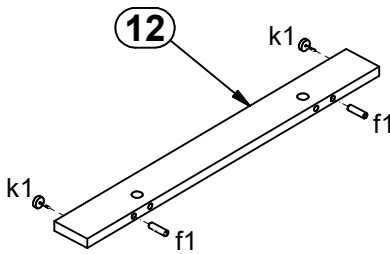
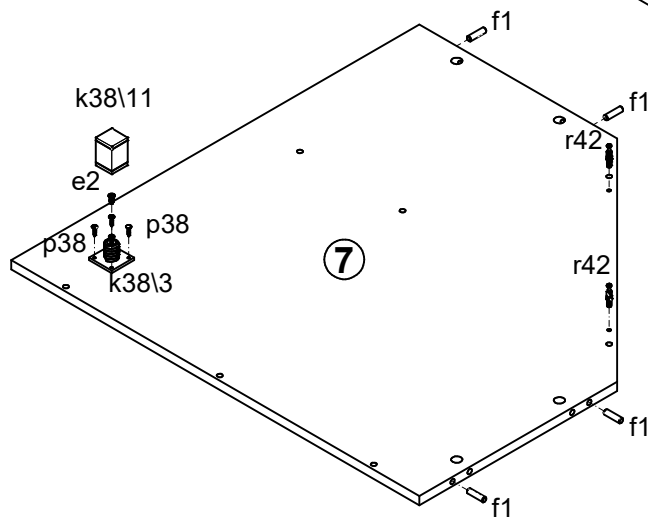
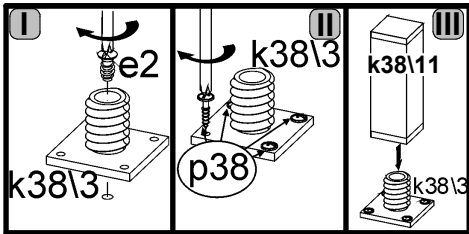
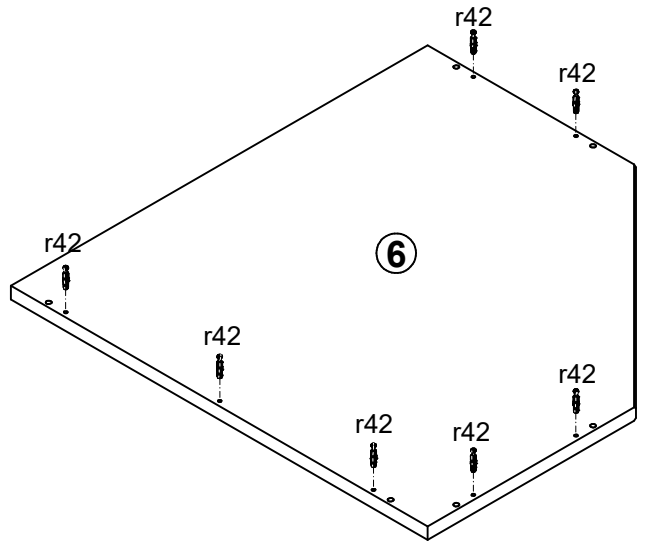
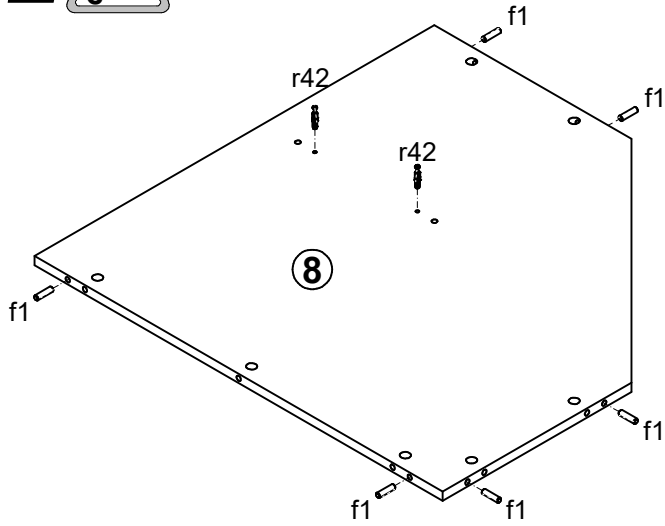


5x a10	5x b3	8x d1 Ø5x17 mm	5x e1 Ø7x50 mm	1x e2 Ø6.3x13 mm	32x f1 Ø8x30 mm	6x k1	1x k38\3 42.5x42.5x4 mm	1x k38\11 30x30x45 mm
70x l1	2x n1 h=22mm	2x o21 silikon	2x p1 Ø3.5x13 mm	6x p8 Ø4x25 mm	4x p38 Ø3.5x16 mm	10x p51 Ø3.5x15 mm	30x r1 Ø15x12 mm #16	30x r42 20\11
20x s2 Ø16	1x z1 4 mm					1x n26		1x p38 Ø3.5x16 mm

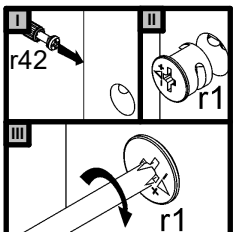
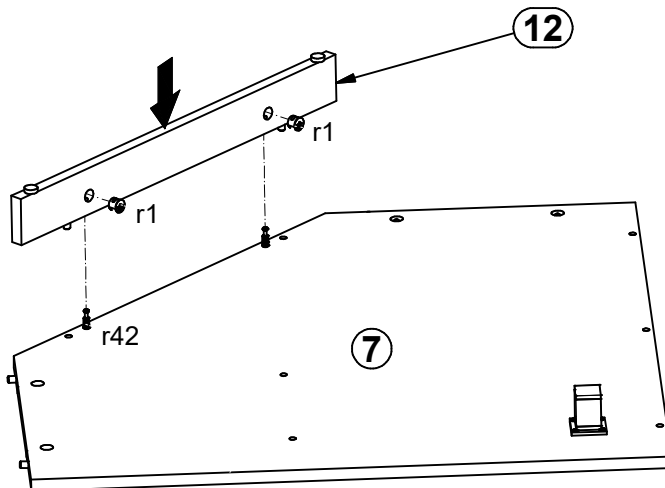
1 §2

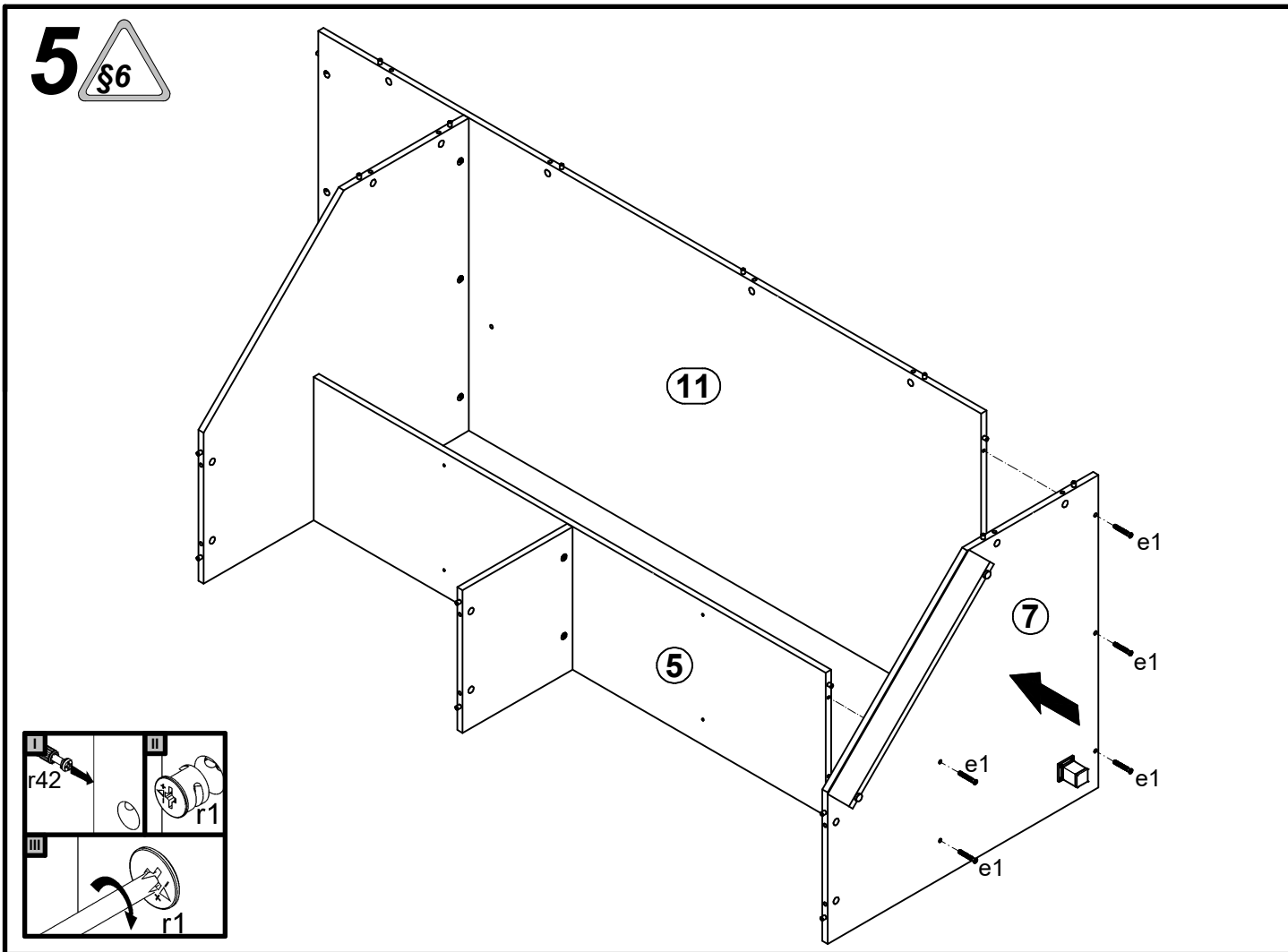
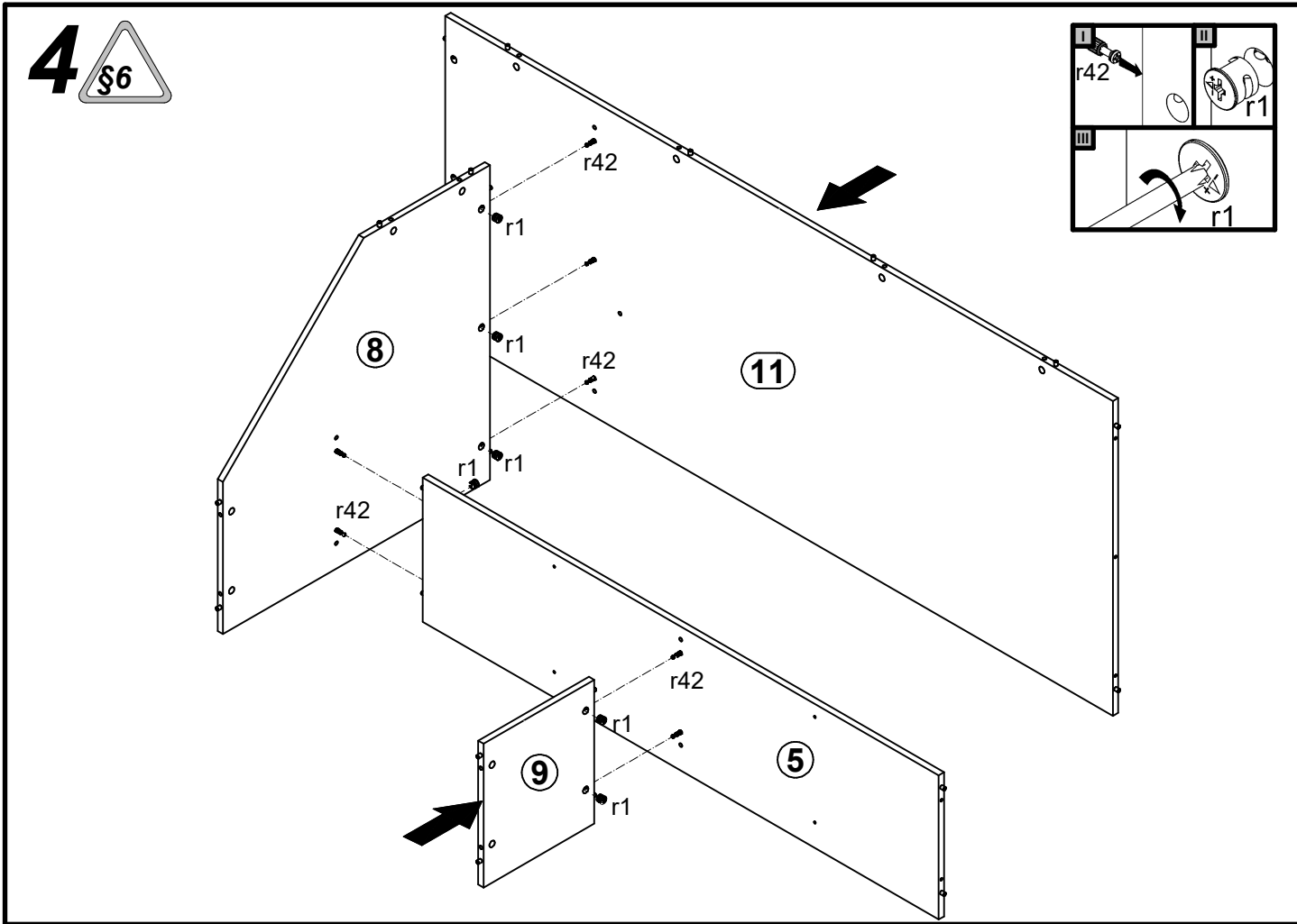


2

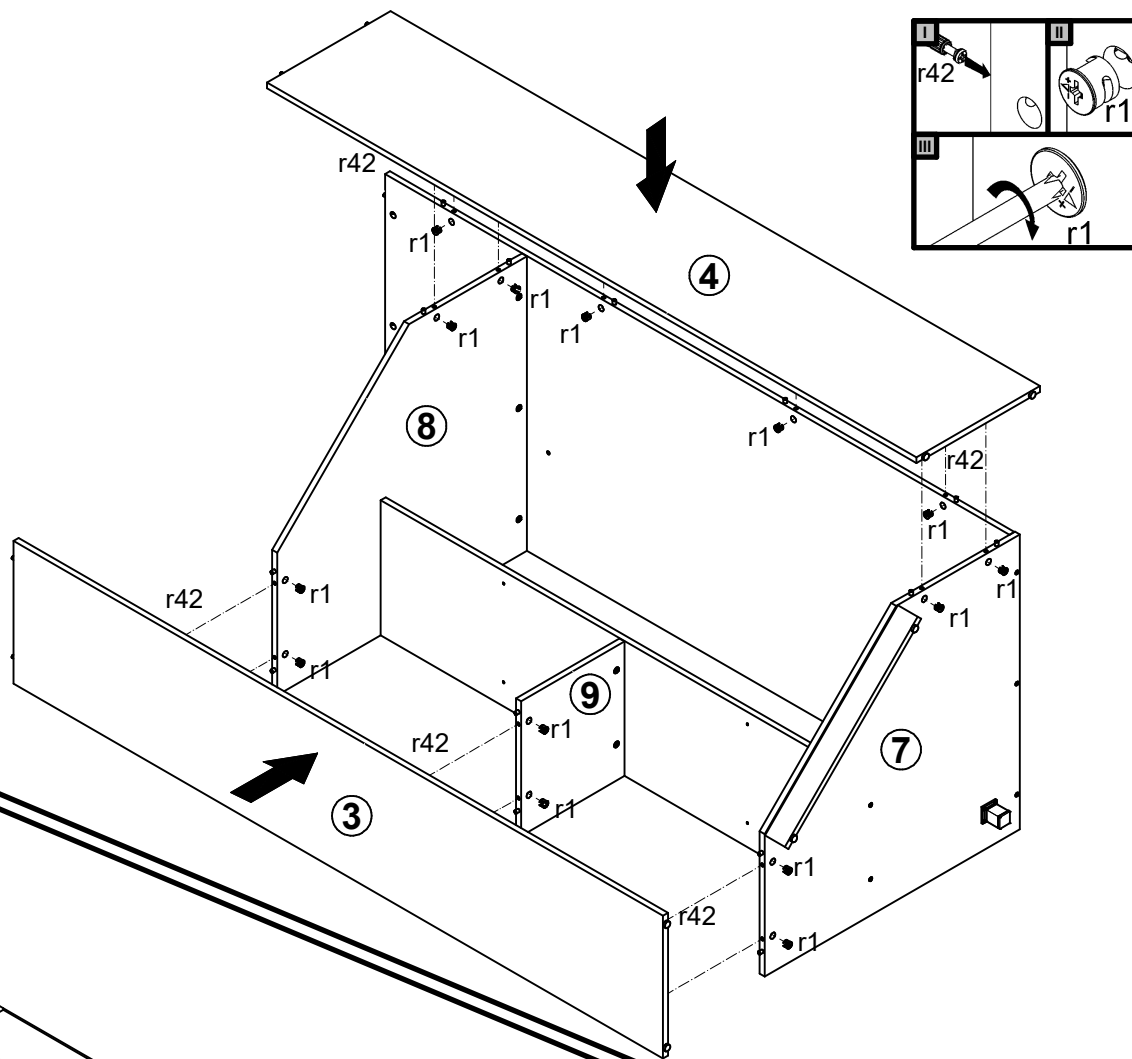


3

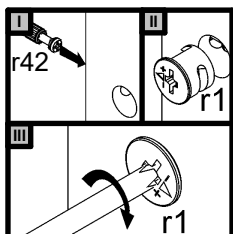
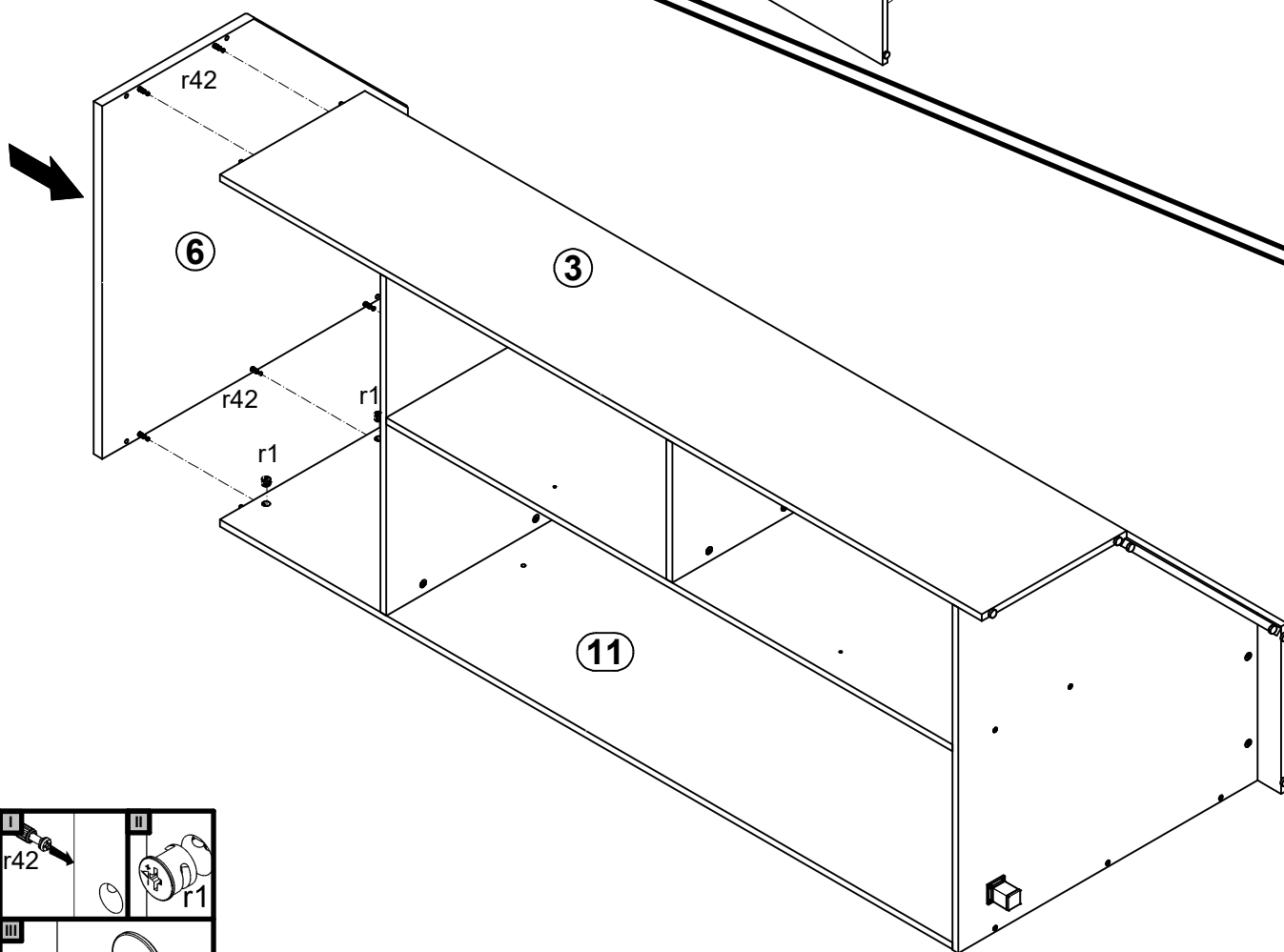




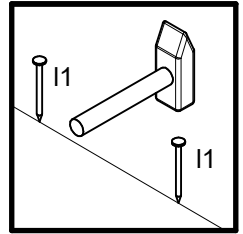
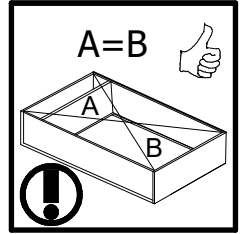
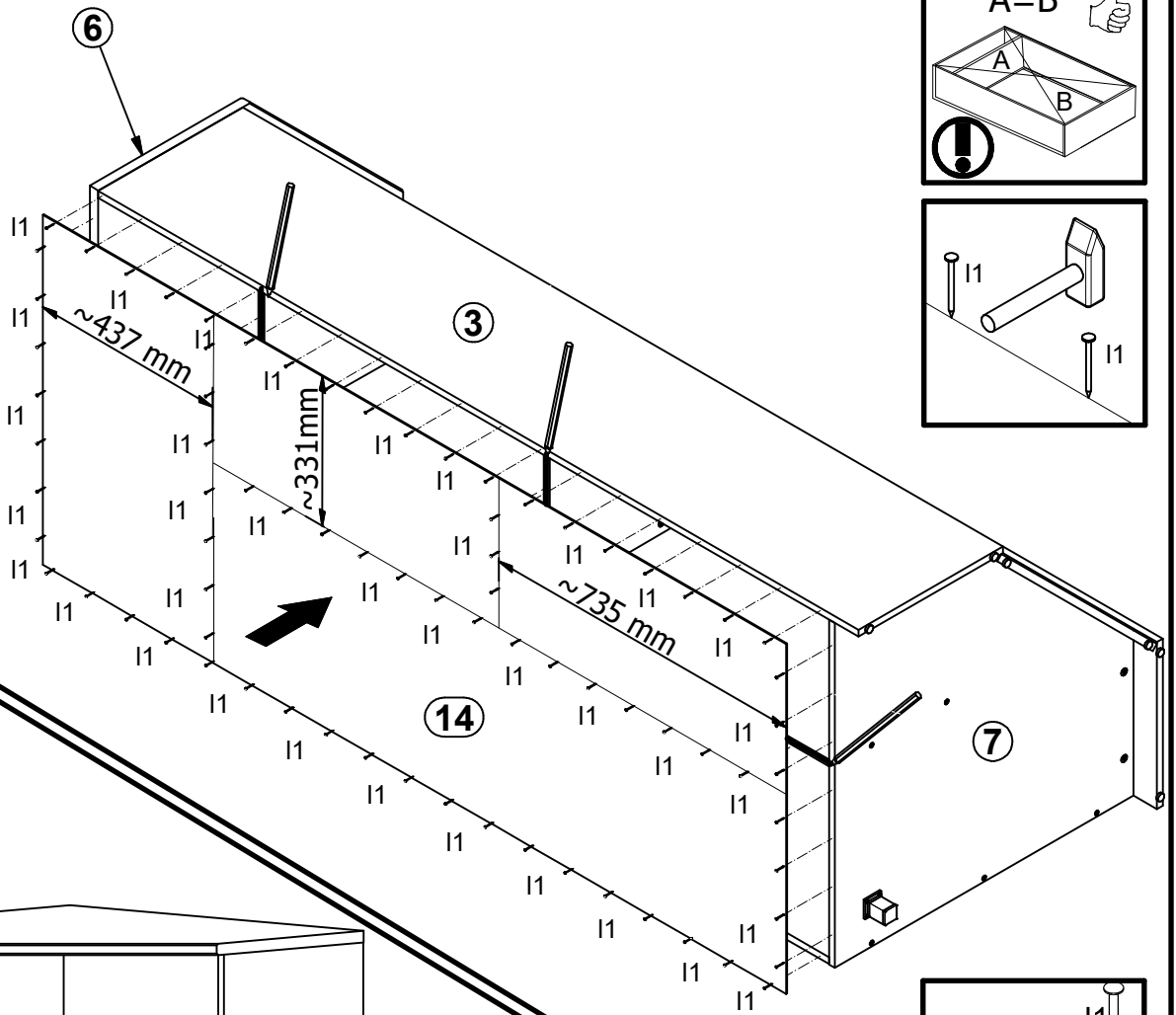
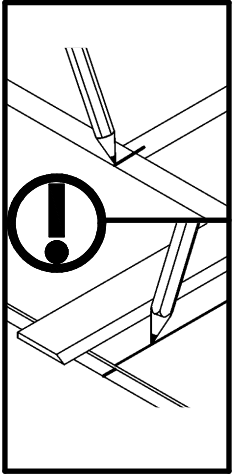
6 §6



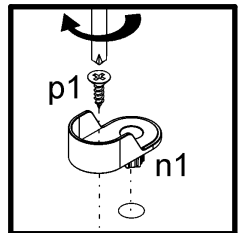
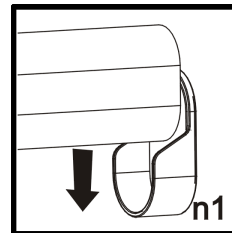
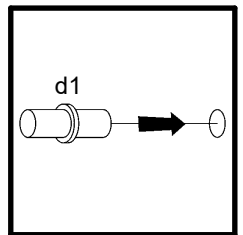
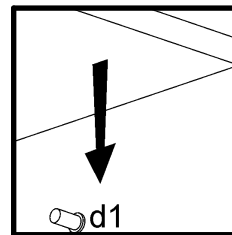
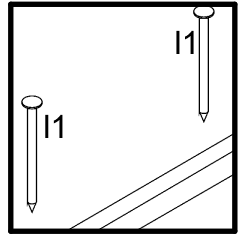
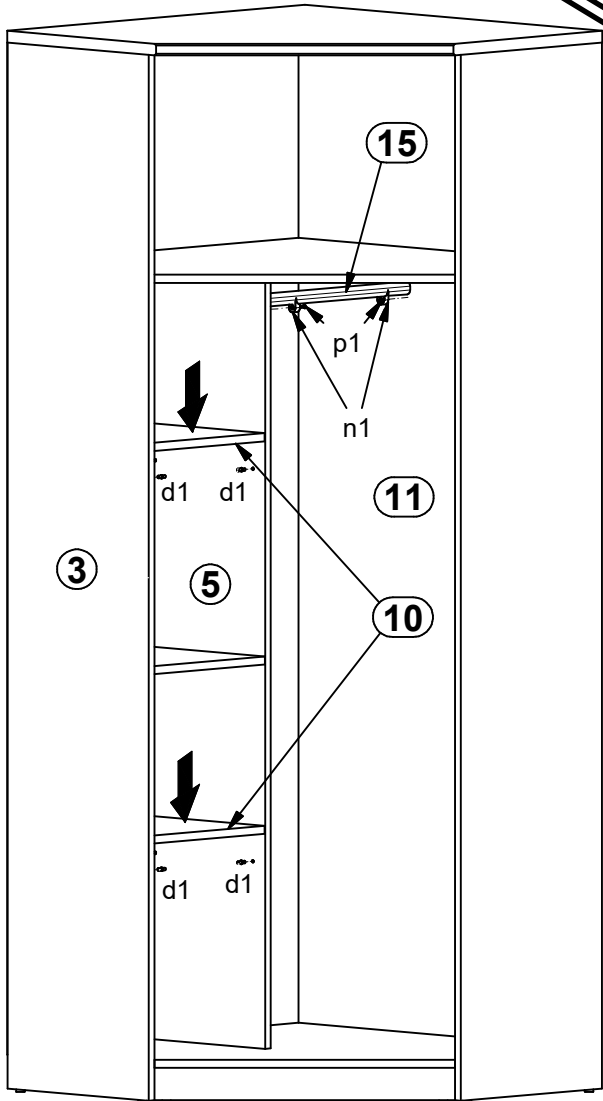
7 §6



8 



9 



10

