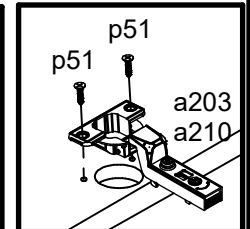
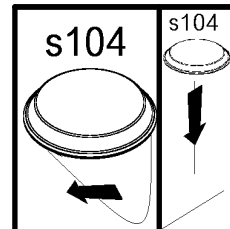
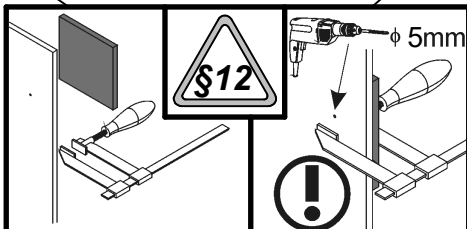
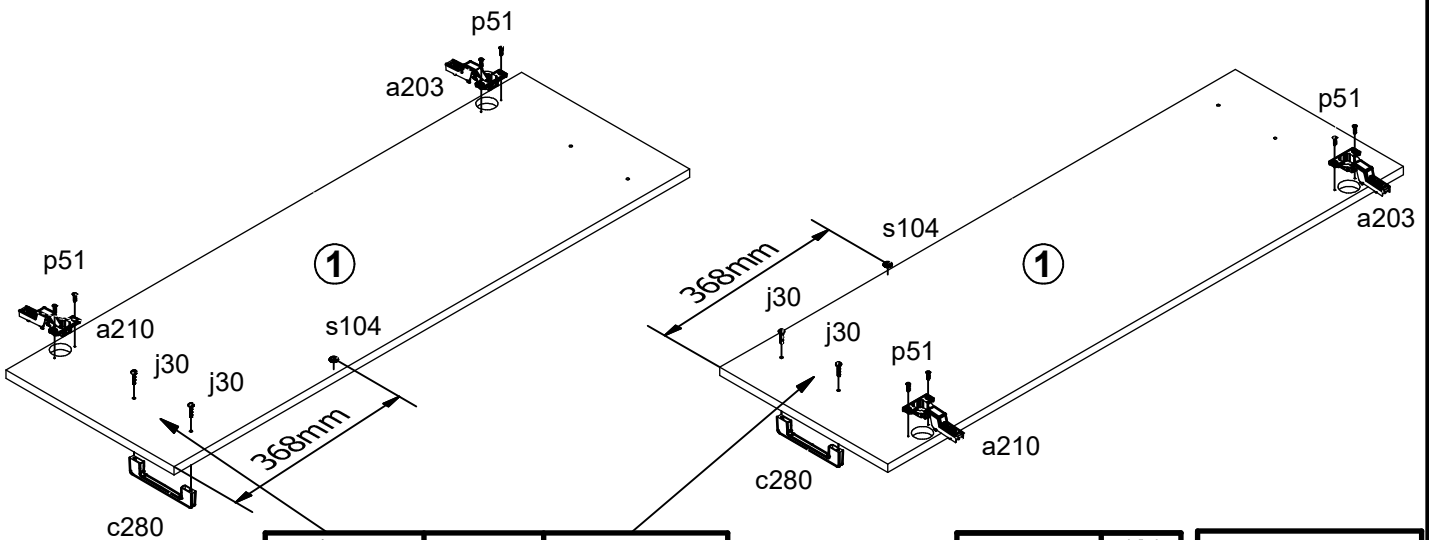
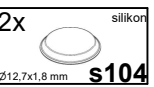
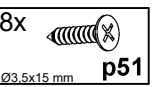
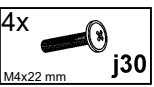
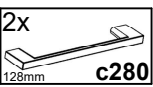
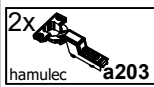
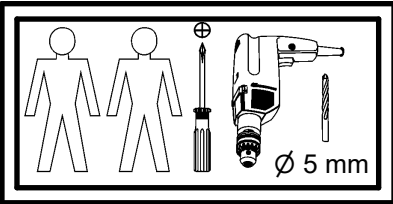
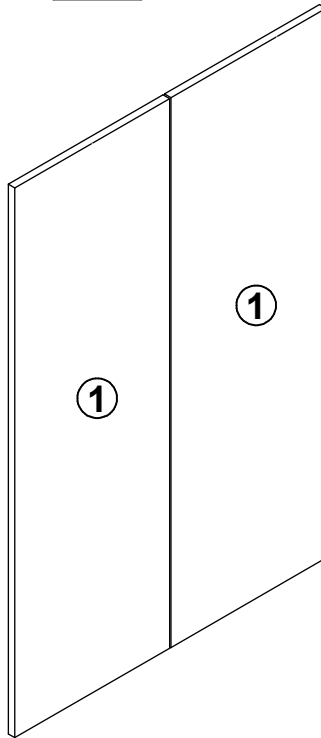
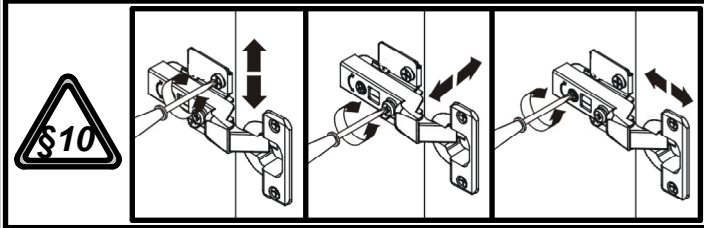
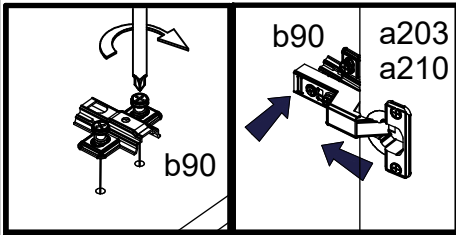
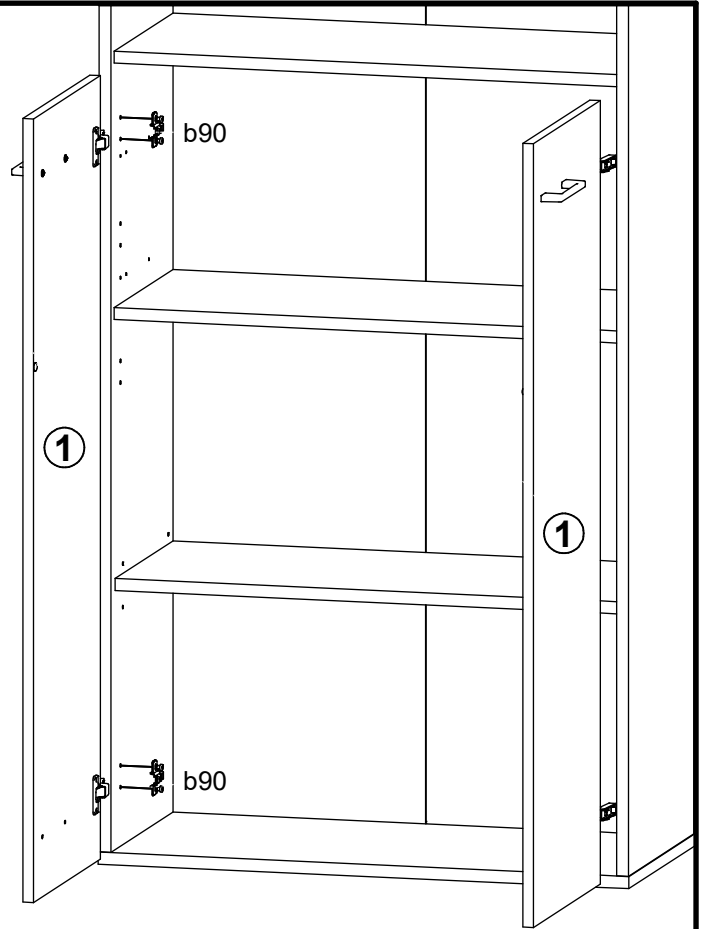
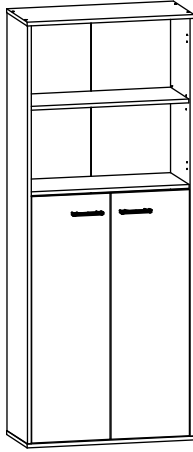


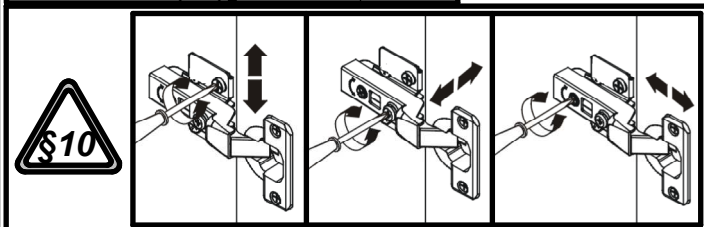
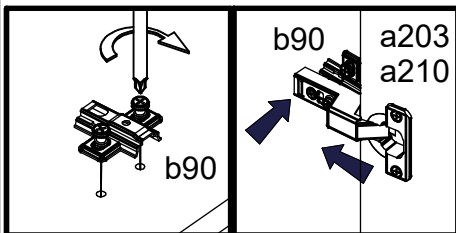
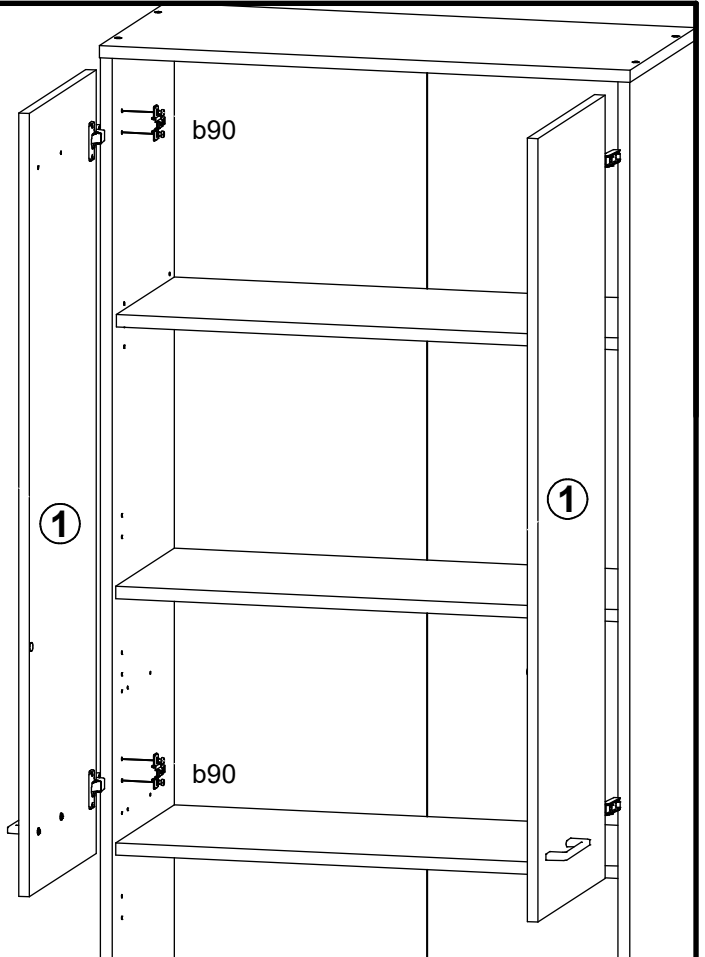
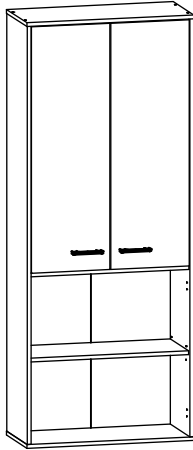
A	B	C	D
1	S479-0004	1158	377
2/3, 3/4, 3/6, 5/6			



2A



2B



2C

