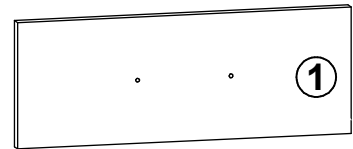
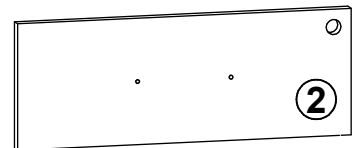
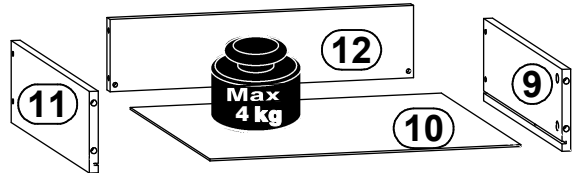
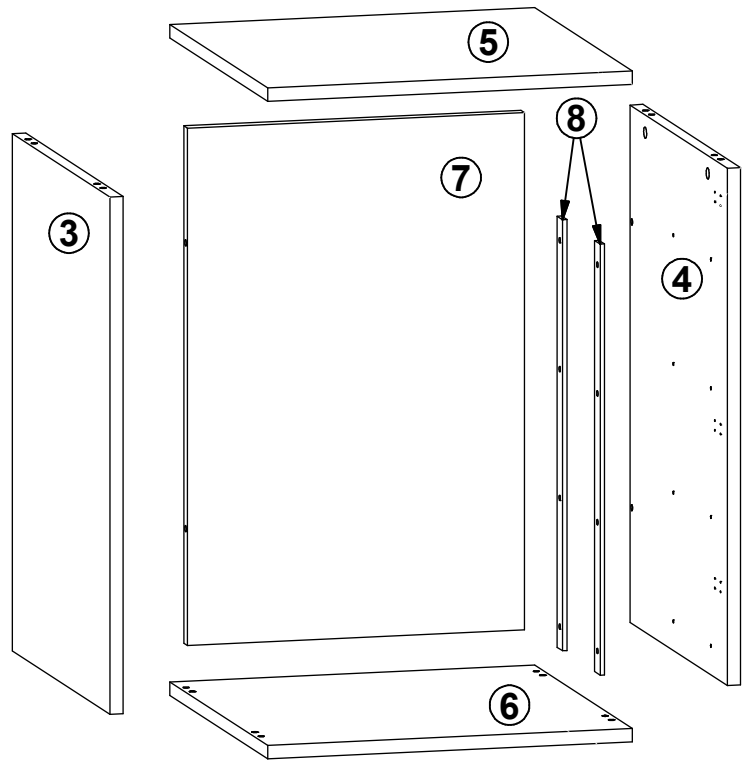
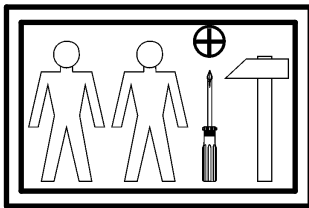
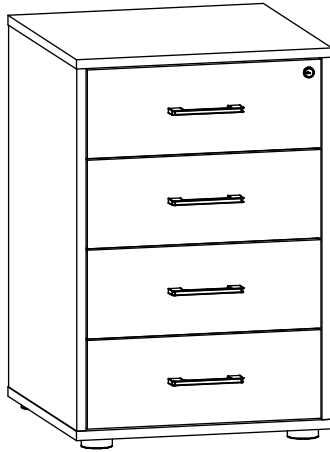
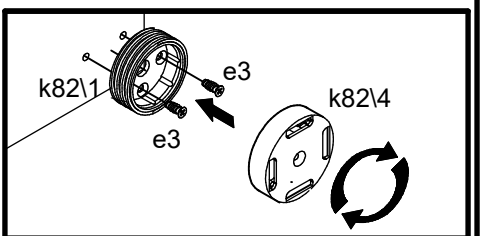
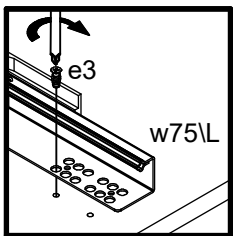
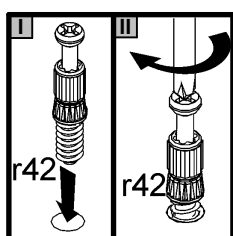
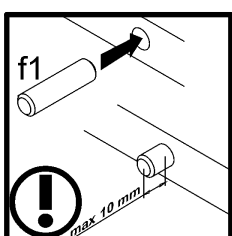
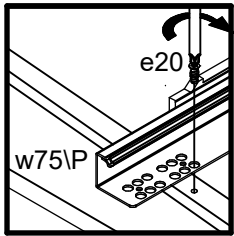
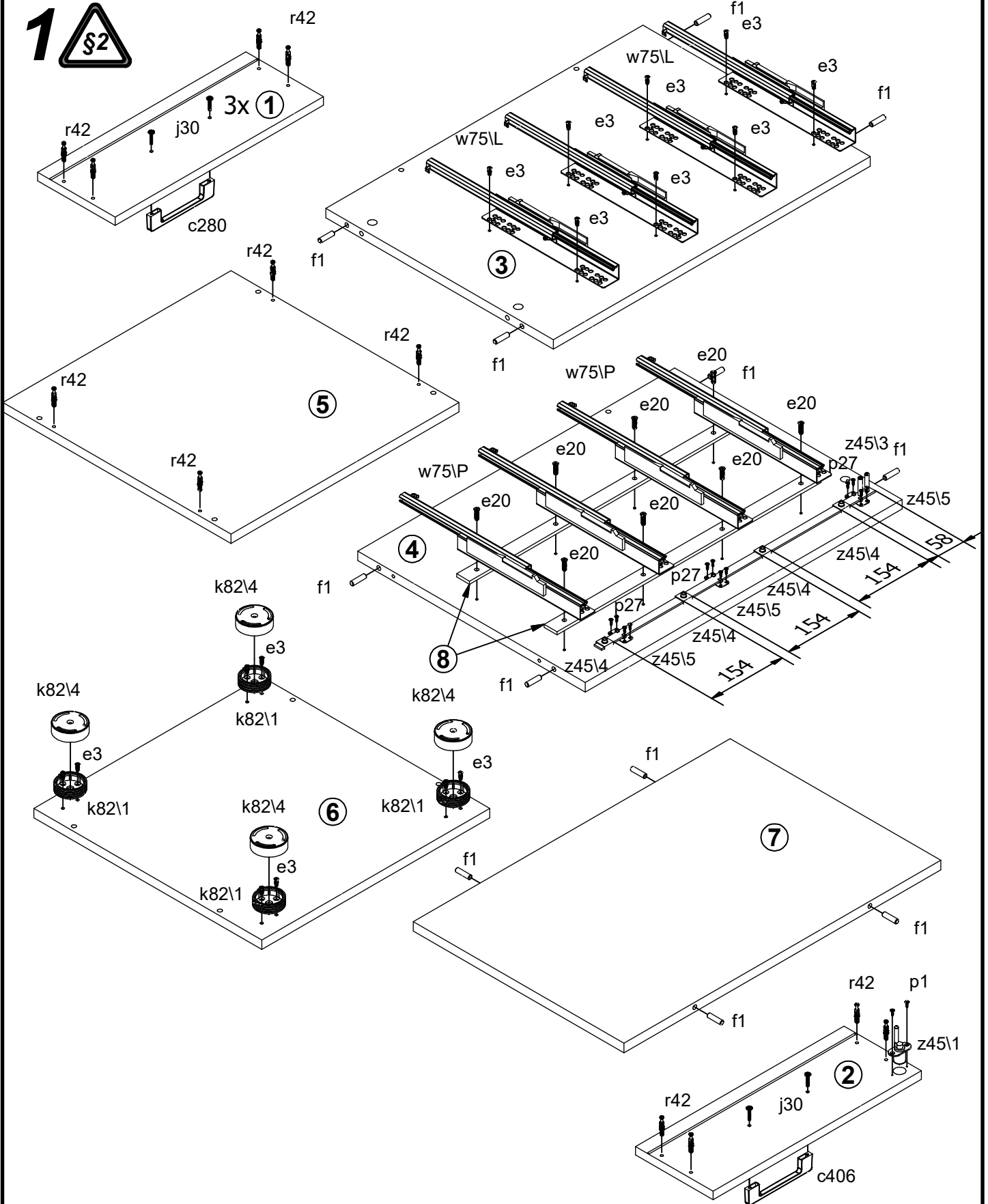


A	B	C	D	
1	S479-0013	457	170	1/2
2	S479-0014	457	170	1/2
3	S479-1017	695	499	1/2
4	S479-1018	695	499	1/2
5	S479-2015	500	500	1/2
6	S479-2016	500	500	1/2
7	S479-4005	695	462	1/2
8	S479-4006	579	28	1/2
9	S479-5002	400	110	1/2
10	S479-9002	426	407	1/2
11	ZQ6-521	400	110	1/2
12	ZQ6-5224	416	97	1/2

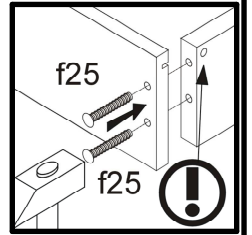
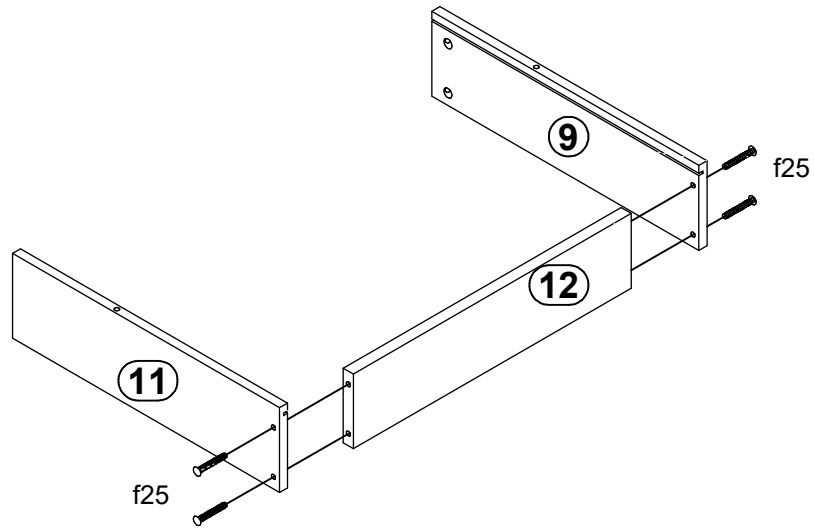


4x 128mm c280	4x Ø7x50 mm e1	8x Ø6x20 mm e20	16x Ø6x13 mm e3	12x Ø8x30 mm f1	16x Ø6.5x40 mm f25	8x M4x22 mm j30	4x Ø51 mm k82\1	4x Ø58,6x52 118 mm k82\4
2x Ø3.5x13 mm p1	12x Ø3.5x16 mm p38	8x Ø3.5x9.5 mm p44	12x Ø3.5x13 mm p27	8x Ø2.9x16 mm p55	4x Ø15x12 mm #16 r1	16x Ø12x10.5 mm #12 20/11 r15	20x r42	4x 400 mm w75\L
4x 400 mm w75\P	1x 4 mm z1	1x 2 mm z27	1x z45\1	1x L-600 z45\3	4x z45\4	3x z45\5	4x z45\6	

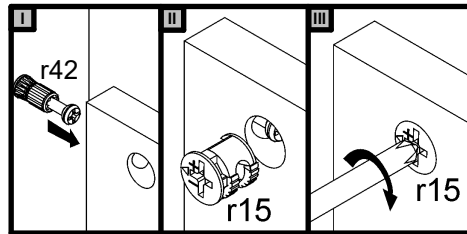
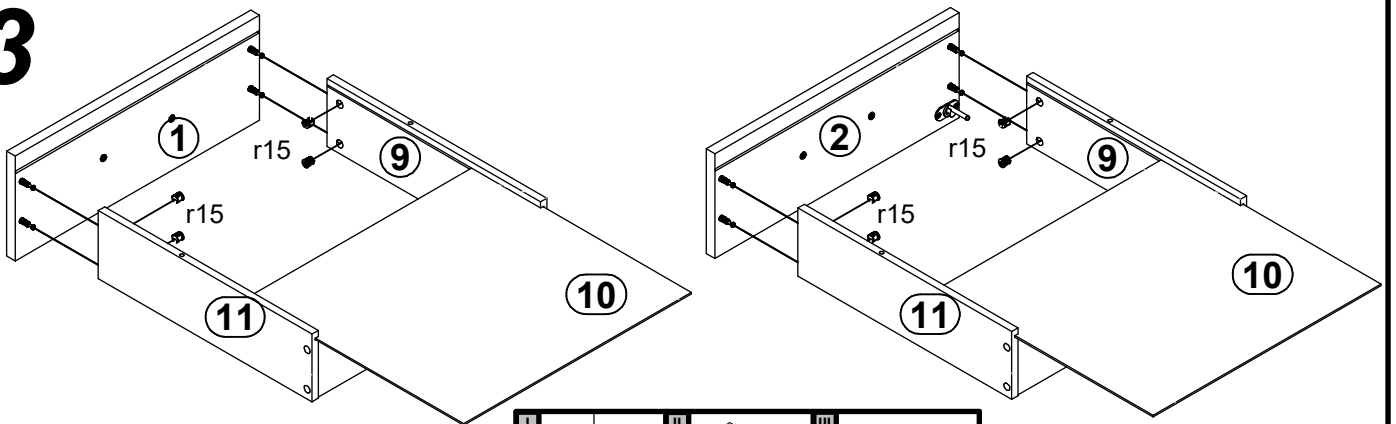
1 §2



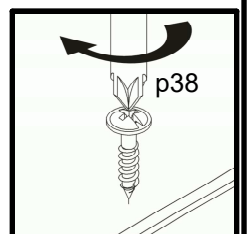
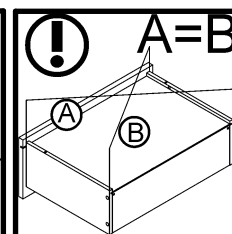
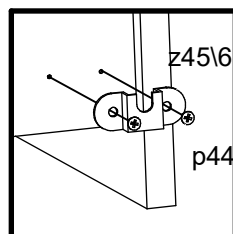
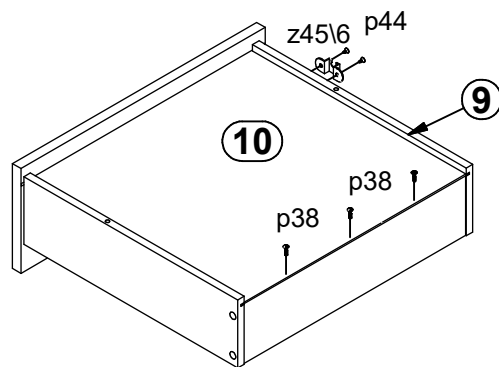
# 2



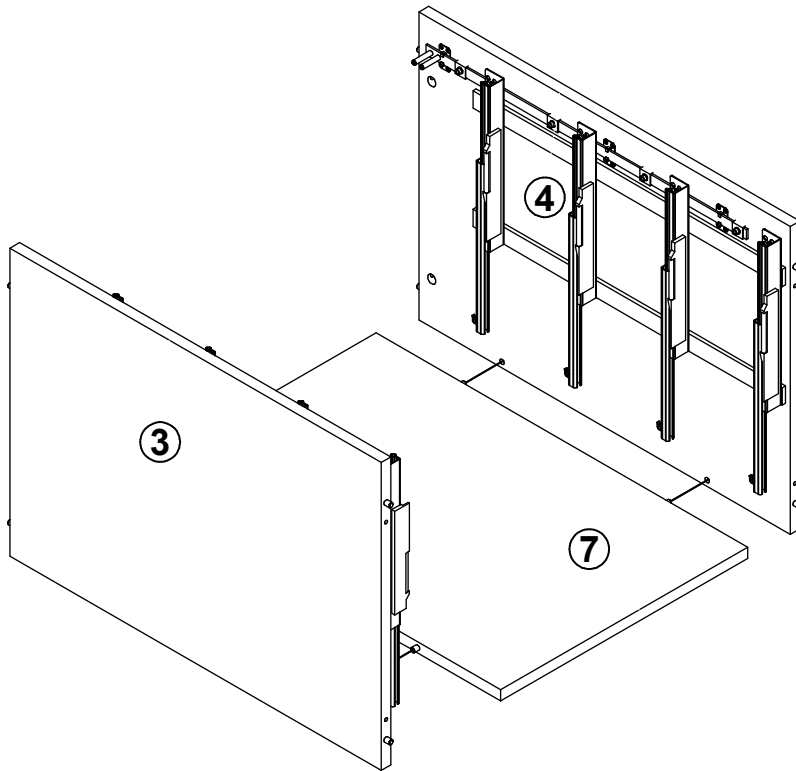
# 3



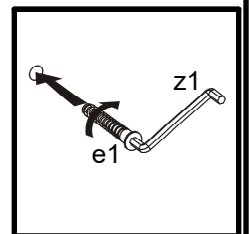
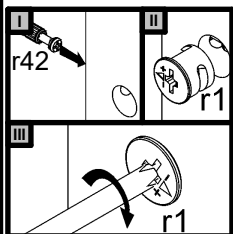
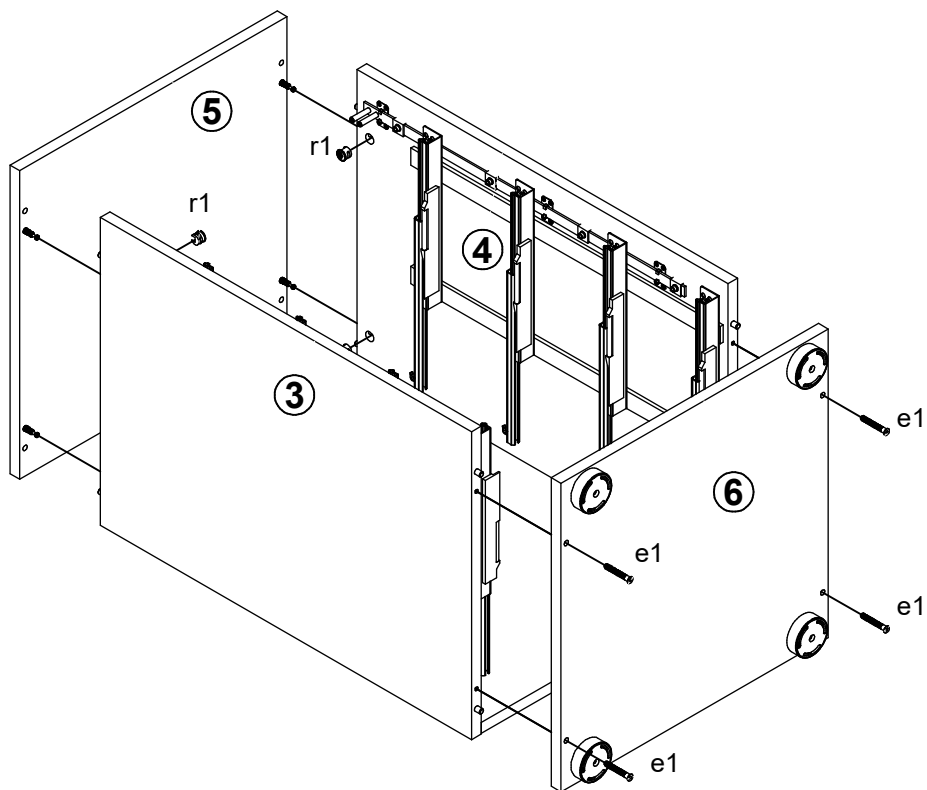
# 4



# 5



# 6



# 7

