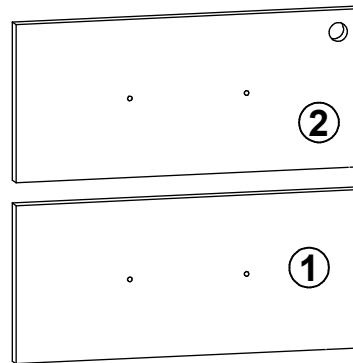
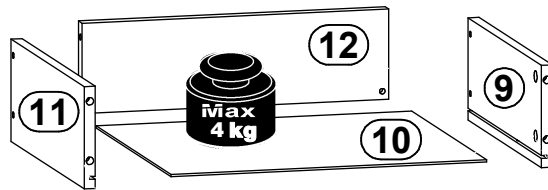
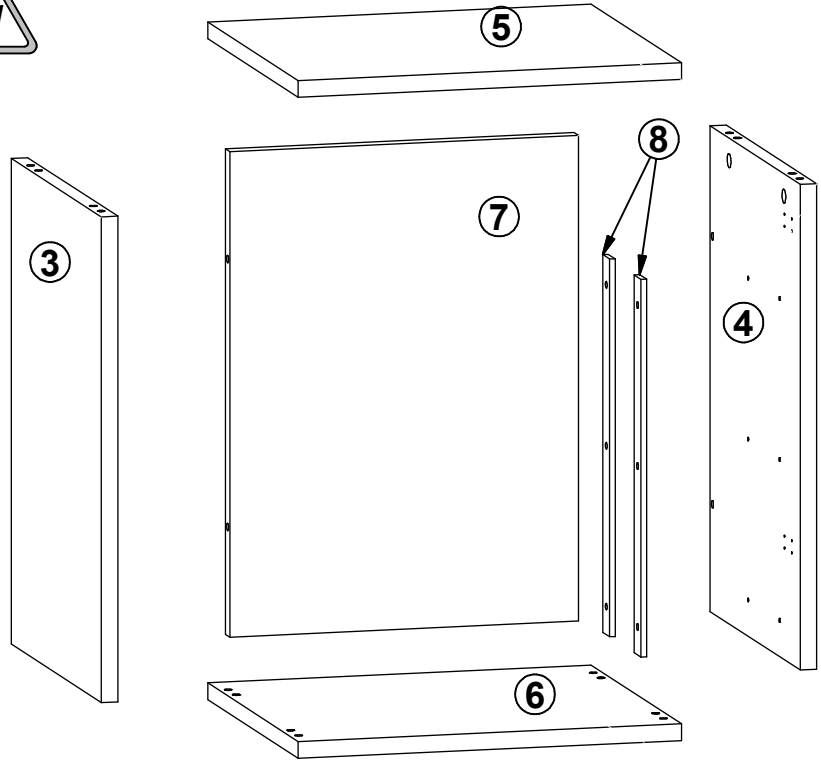
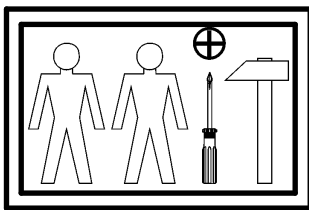
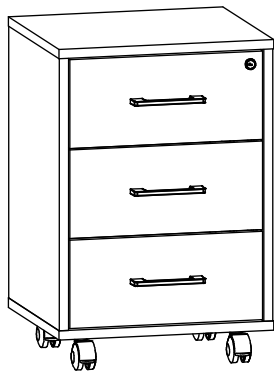
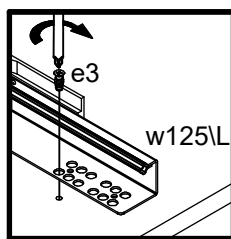
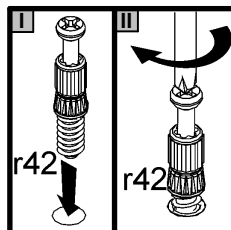
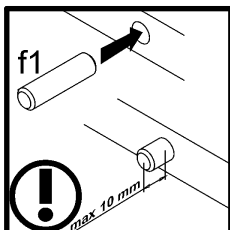
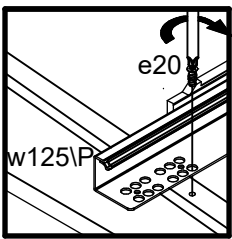
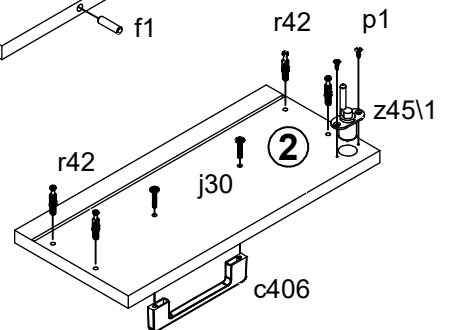
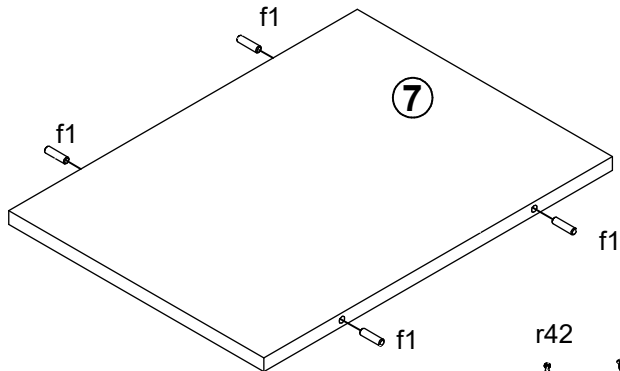
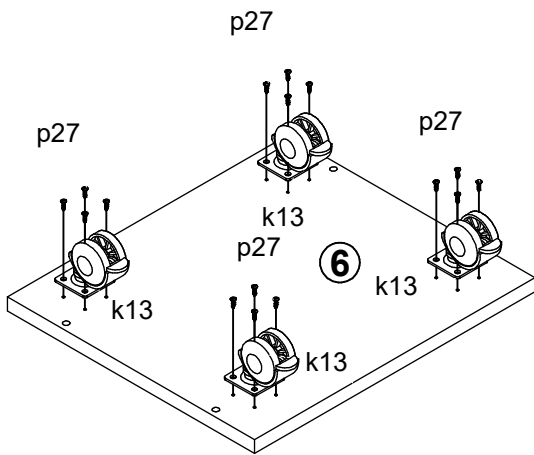
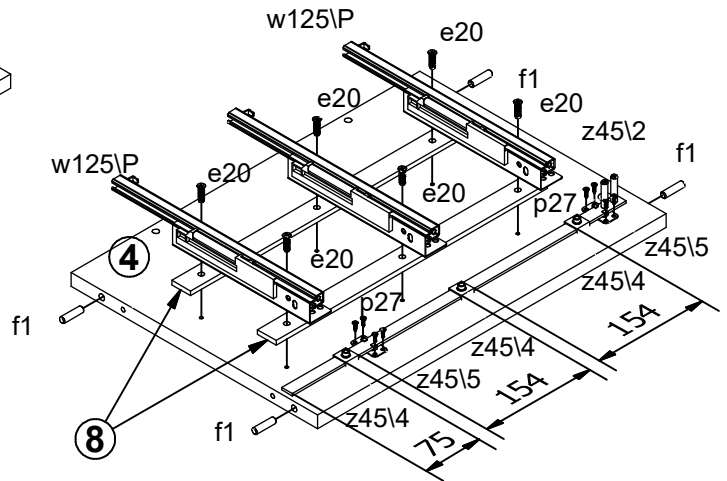
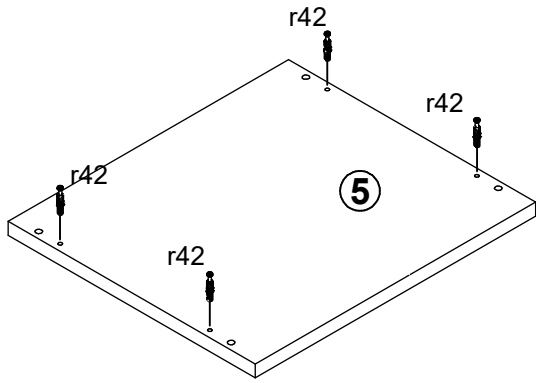
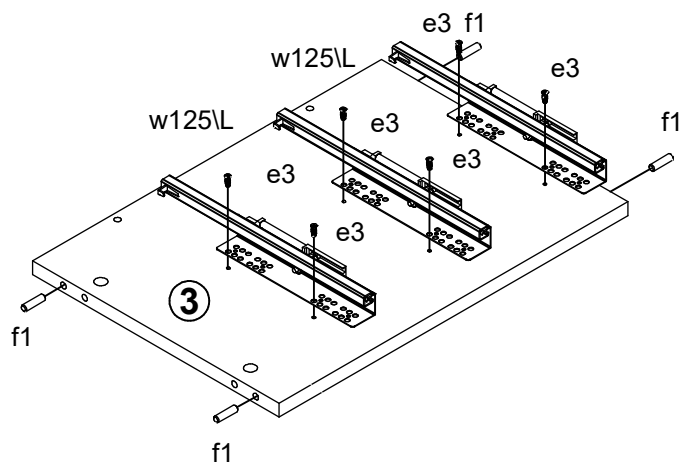
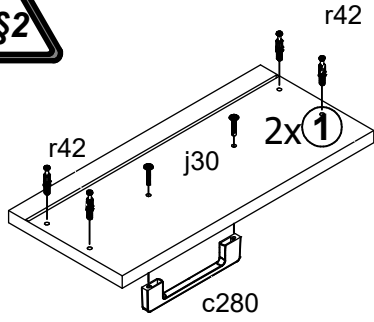


A	B	C	D	
1	S479-0015	377	170	1/1
2	S479-0016	377	170	1/1
3	S479-1021	522	369	1/1
4	S479-1022	522	369	1/1
5	S479-2019	420	370	1/1
6	S479-2020	420	370	1/1
7	S479-4007	522	382	1/1
8	S479-4008	406	28	1/1
9	S479-5003	300	110	1/1
10	S479-9003	346	307	1/1
11	ZQ6-517	300	110	1/1
12	ZQ6-5223	336	97	1/1

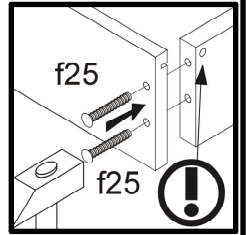
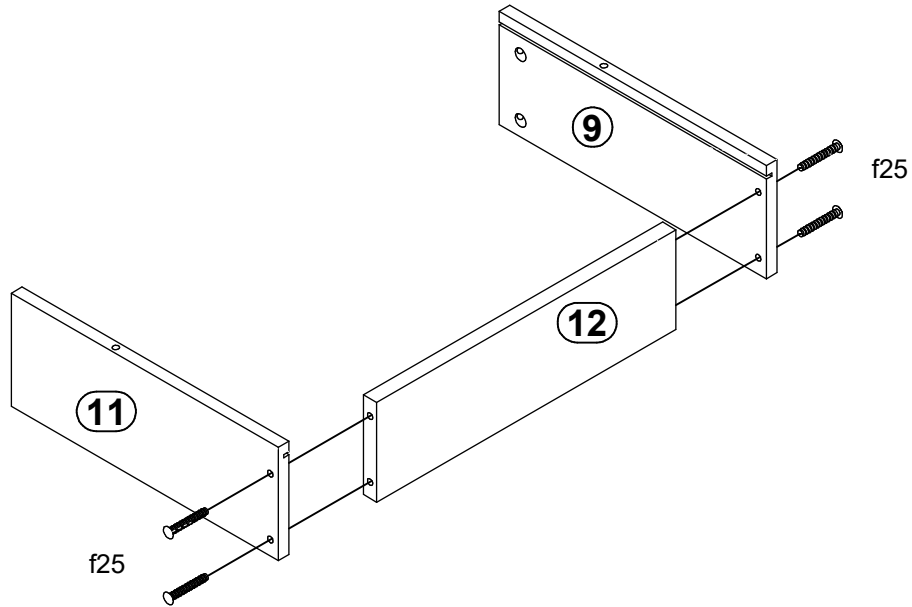


3x 128mm c280	4x Ø7x50 mm e1	6x Ø6x20 mm e20	6x Ø6x13 mm e3	12x Ø8x30 mm f1	12x Ø6.5x40 mm f25	6x M4x22 mm j30	4x Ø50 mm k13	2x Ø3.5x13 mm p1
24x Ø3.5x13 mm p27	9x Ø3.5x16 mm p38	6x Ø3.5x9.5 mm p44	6x Ø2.9x16 mm p55	4x Ø15x12 mm #16 r1	12x Ø12x10.5 mm #12 r15	16x 20/11 r42	3x 300mm w125/L	3x 300mm w125/P
1x 4 mm z1	1x 2 mm z27	1x z45/1	1x L-500 z45/2	3x z45/4	2x z45/5	3x z45/6		

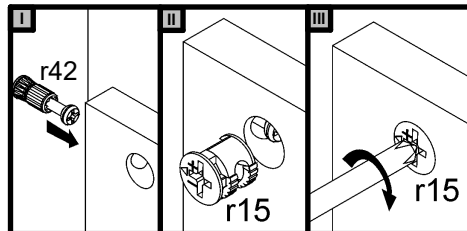
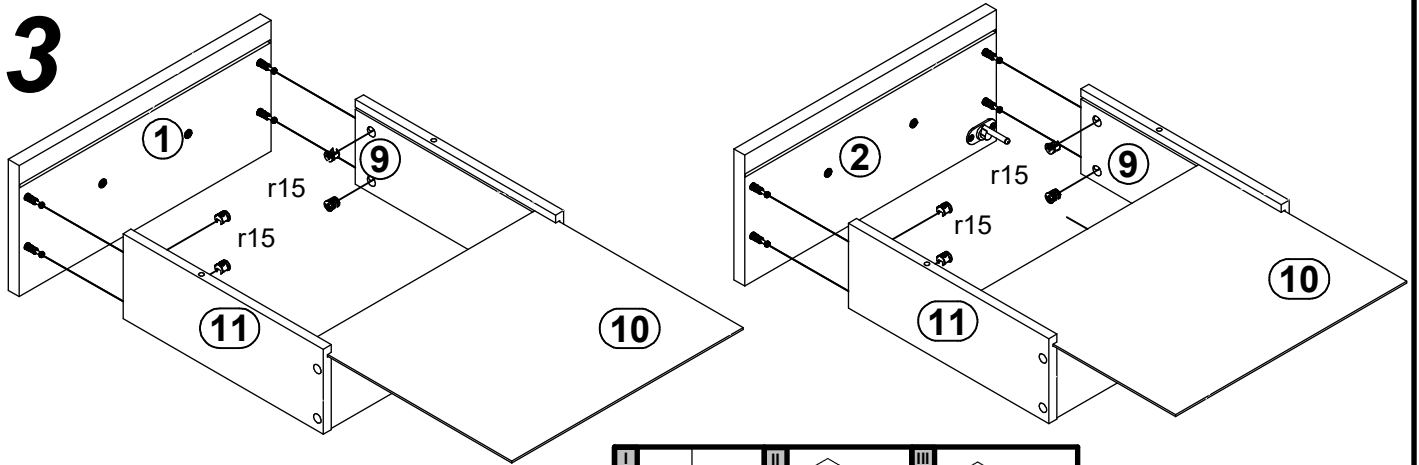
1 



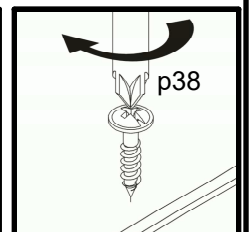
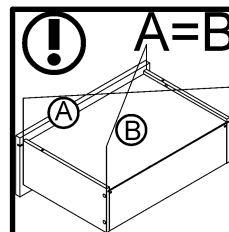
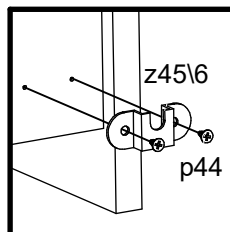
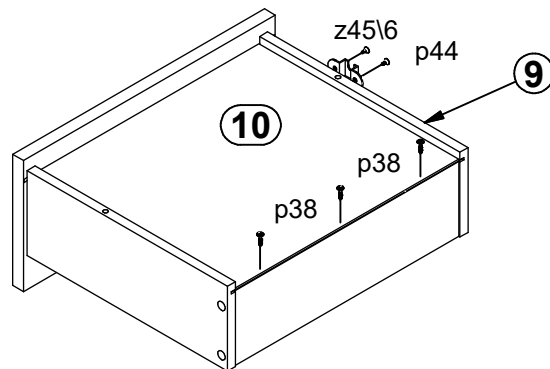
2



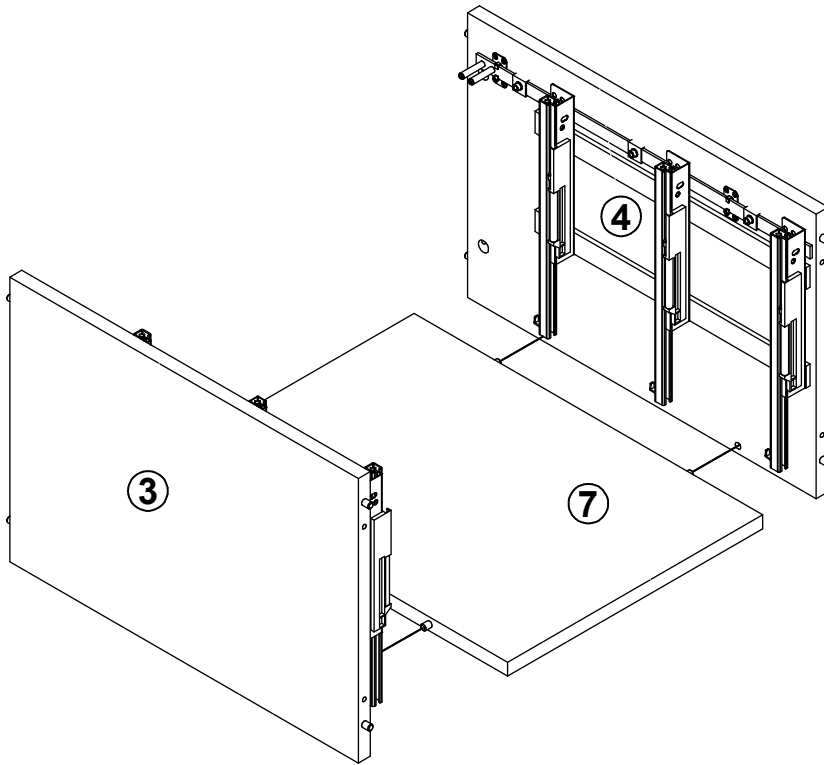
3



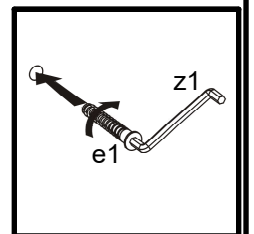
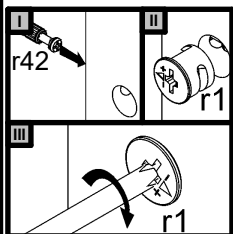
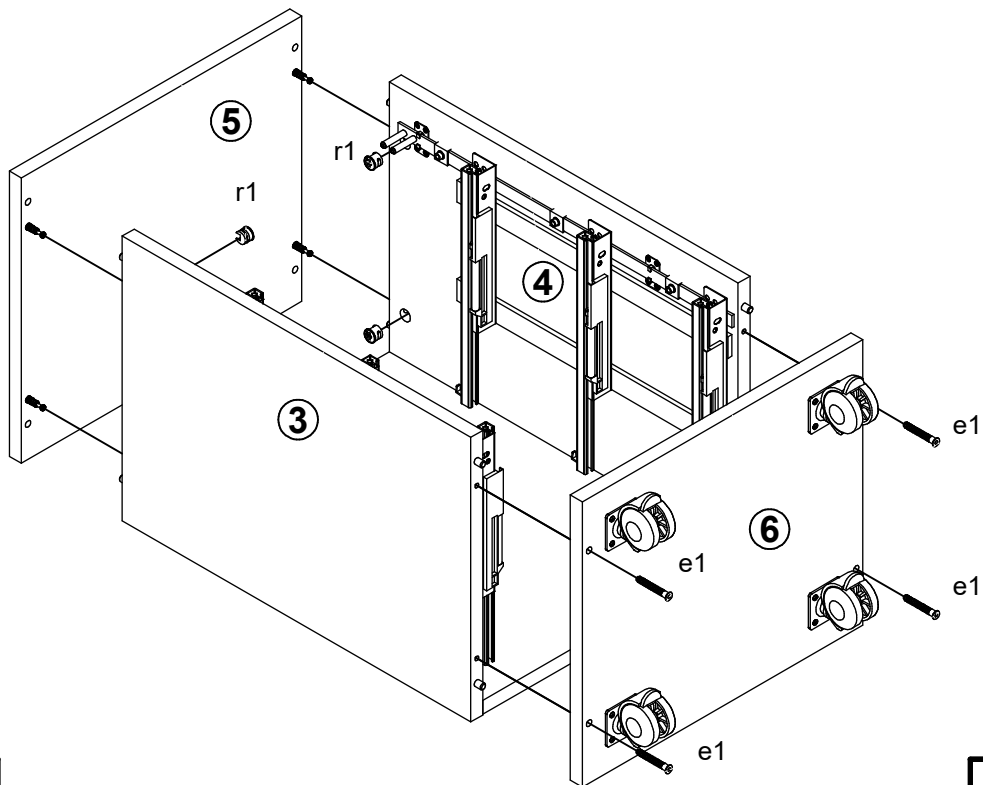
4



5



6



7

