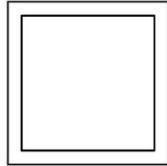


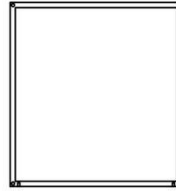
MODEL MERIDA B

PARTS LIST

1. - 1 Pc.



2. - 2 Pcs.



3. - 2 Pcs.



4. - 2 Pcs.



FITTINGS

A. -8Pcs.



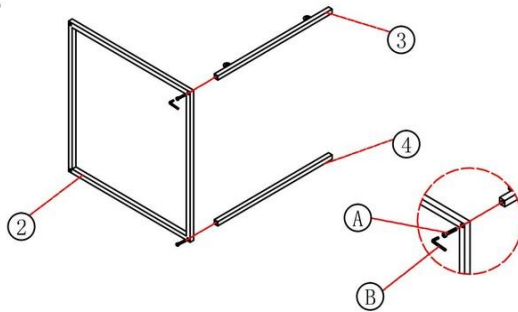
B. -1Pc.



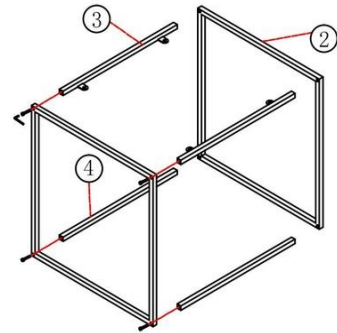
C. -4Pcs.



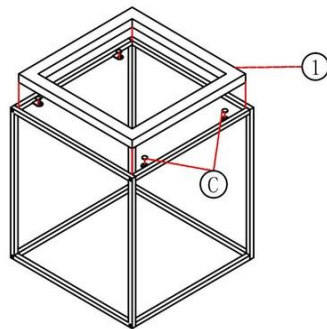
1.



2.



3.



4.

