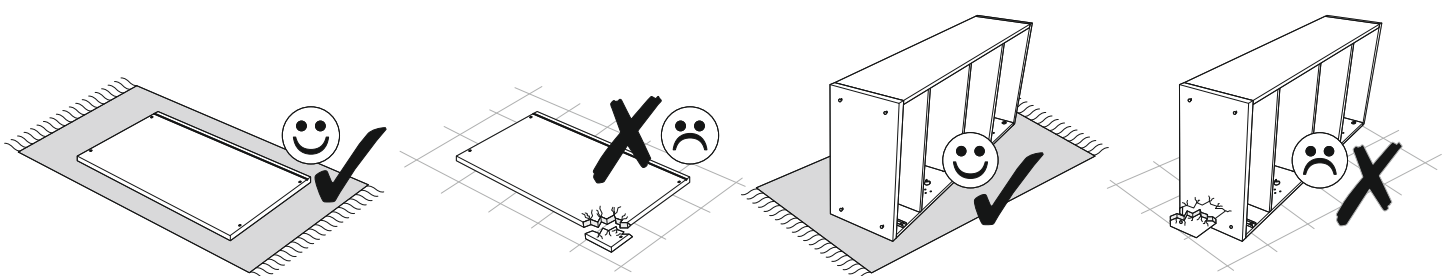
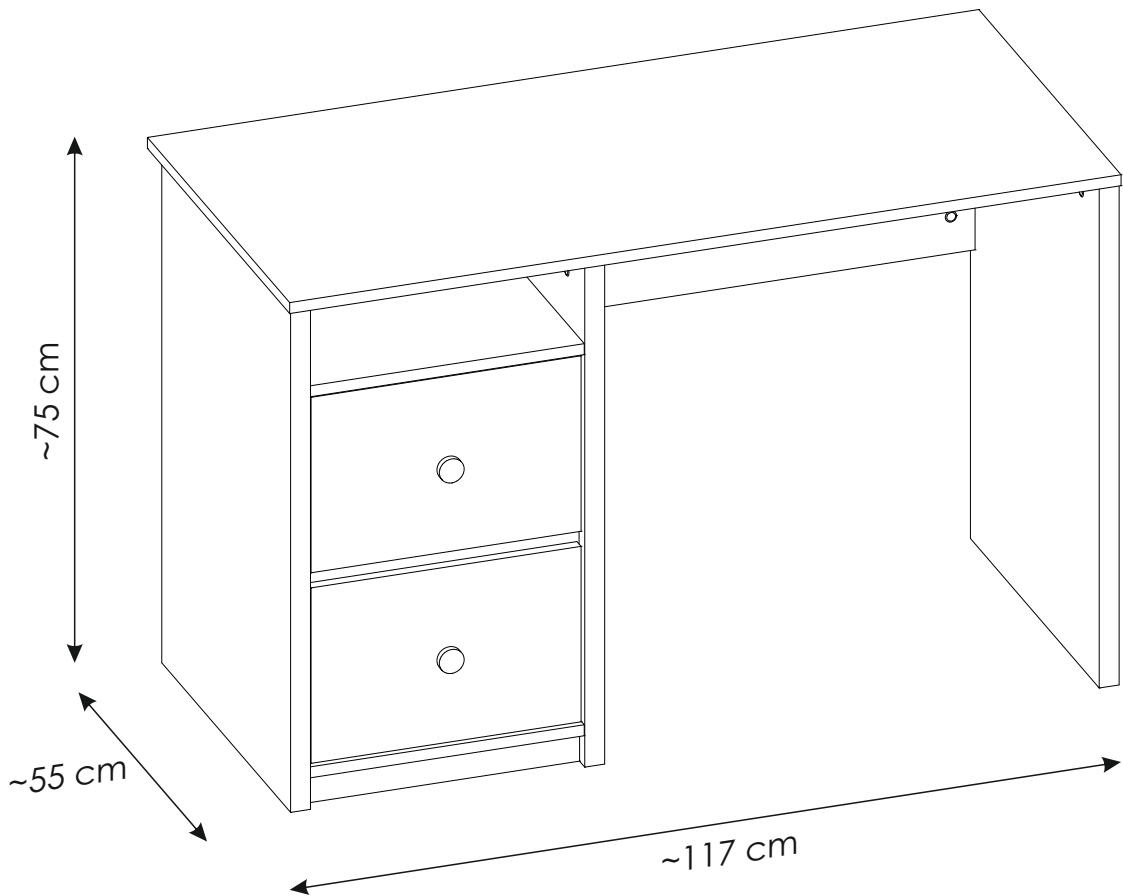
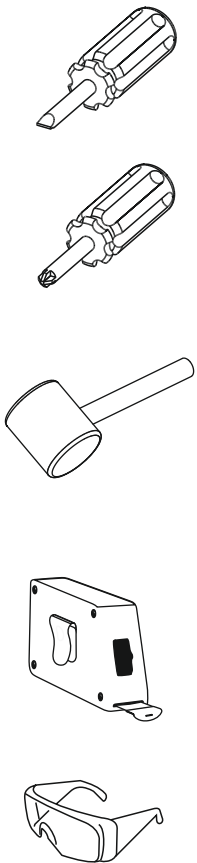
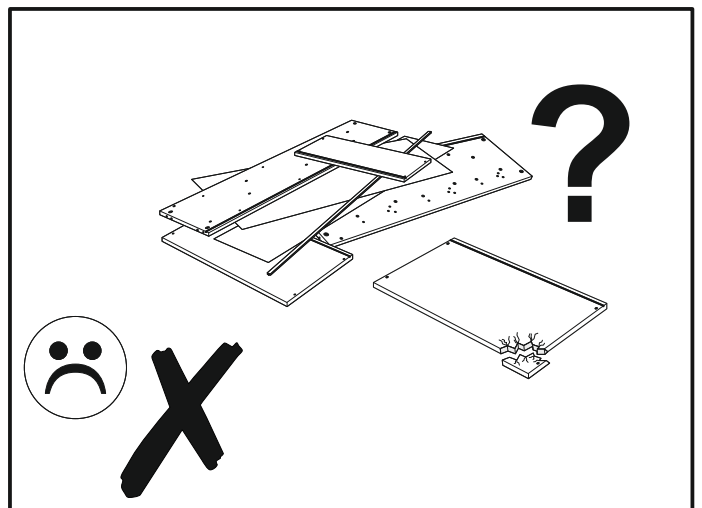
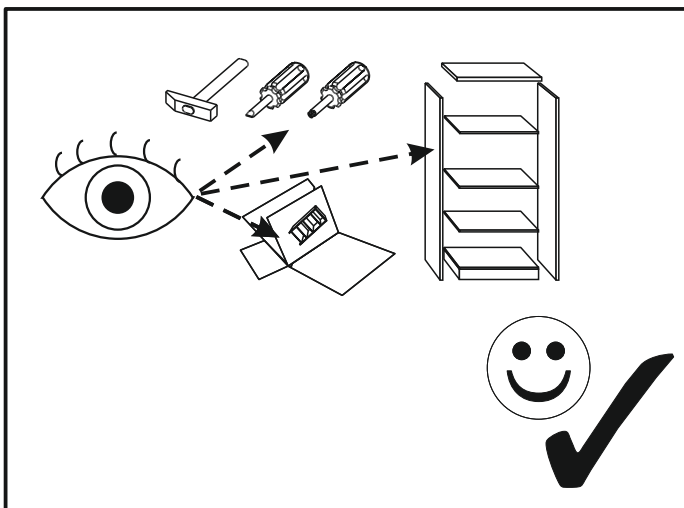
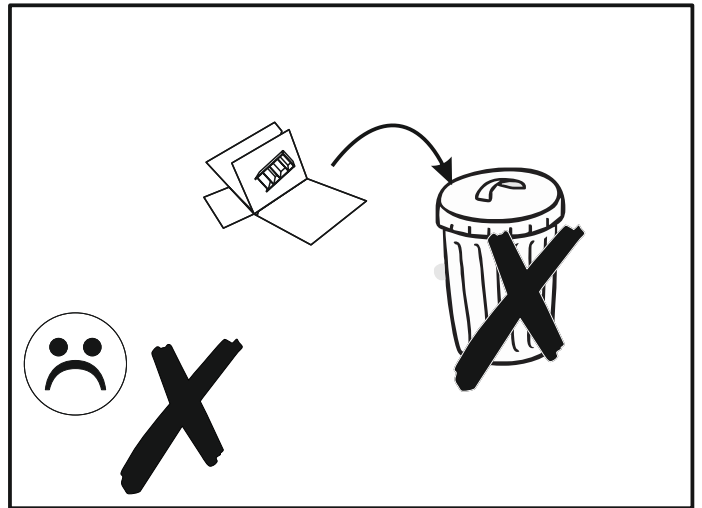
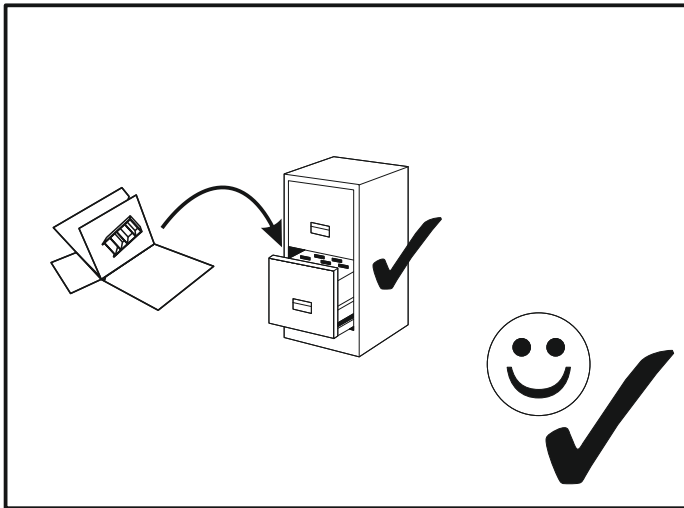
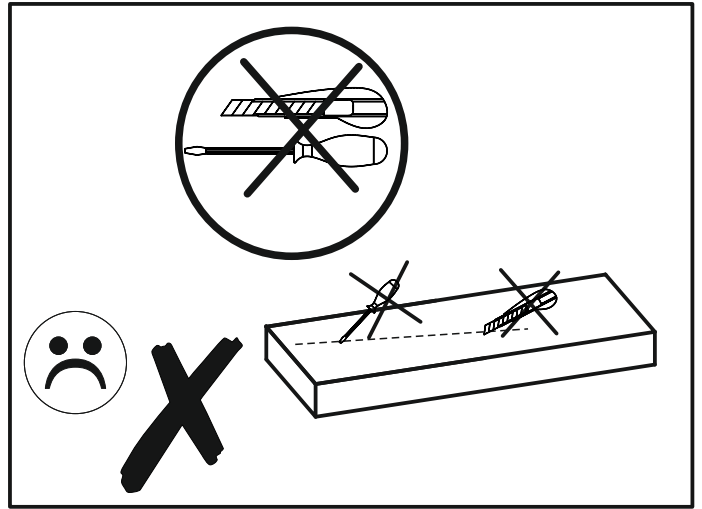
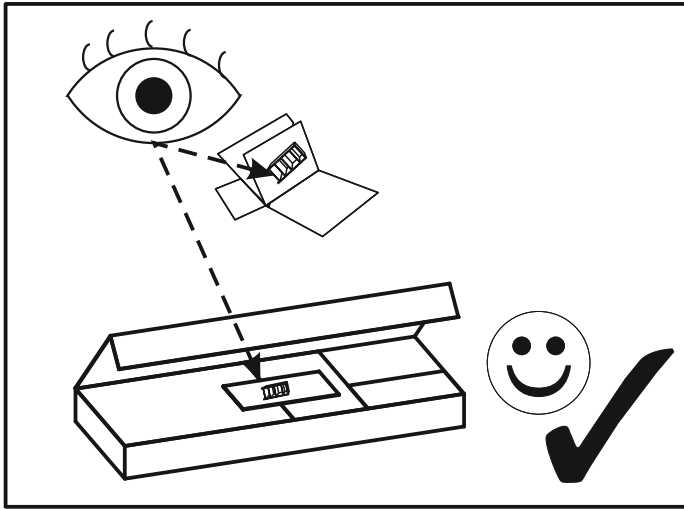


TODB01

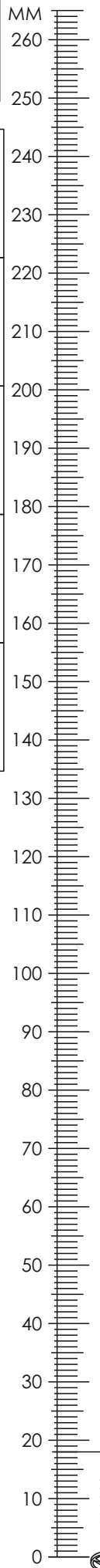


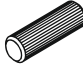

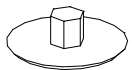

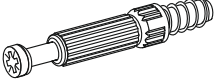
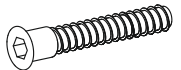
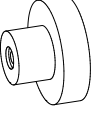

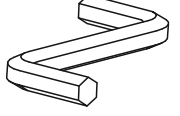
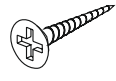
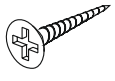
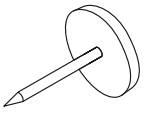
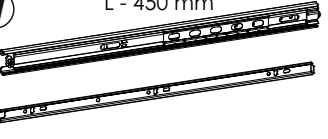
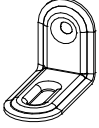
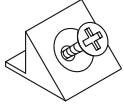
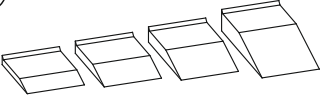
60 min



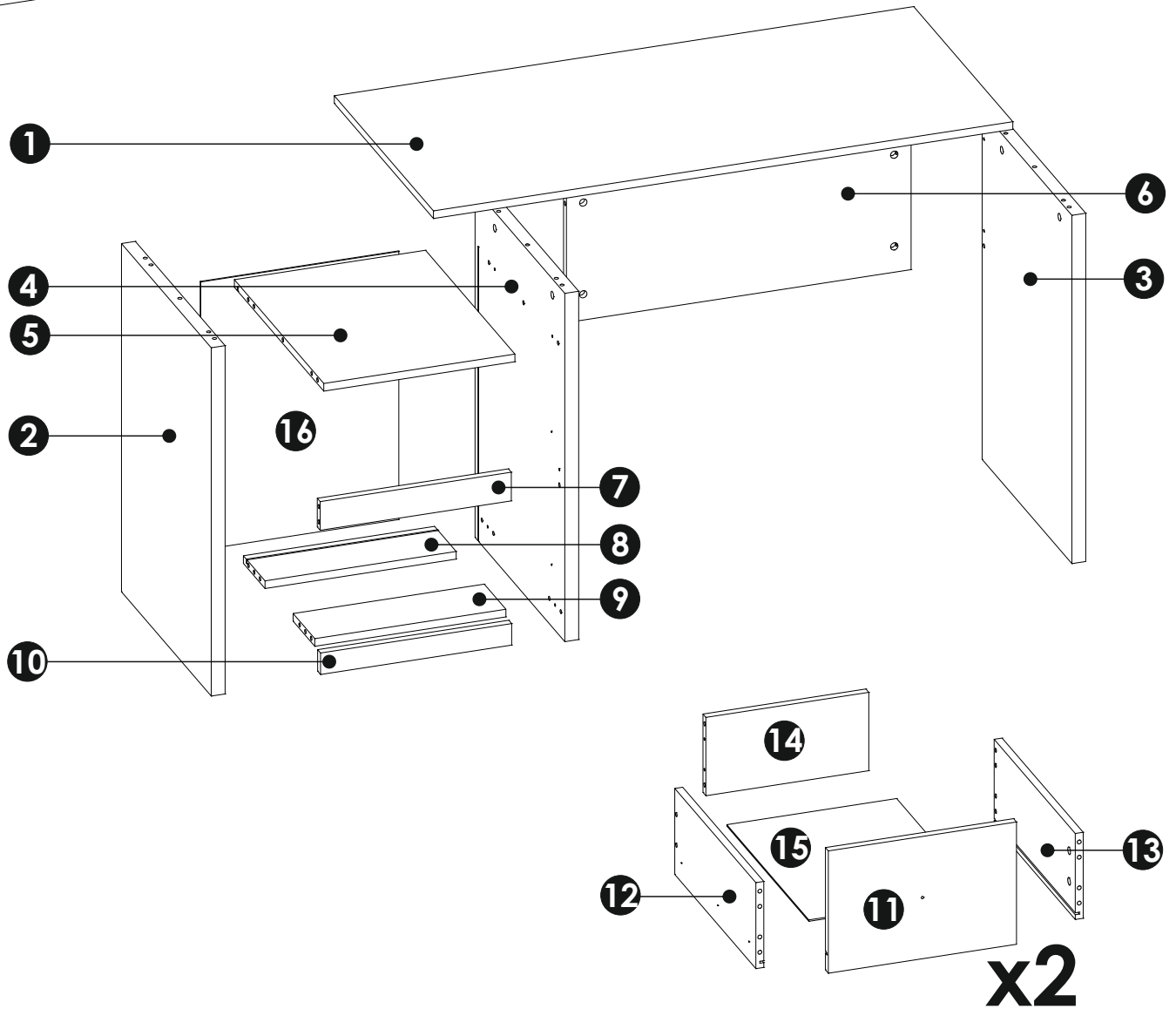
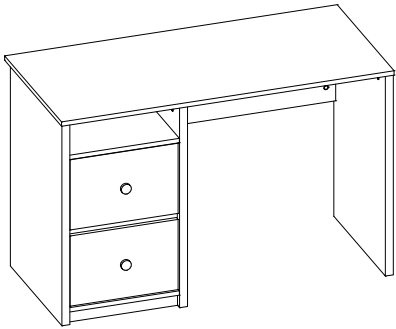


TODB01



A1 8 x 35 mm x45 	C2 5 x 13 mm x8 	E0 Ø16 x18 
E1 15 x 12 mm x28 	F1 6 x 34 mm x28 	G1 7 x 50 mm x8 
H1 x2 	K3 M4 x 22mm x2 	M x1 
N1 3 X 16 mm x10 	N2 3,5 X 16 mm x16 	O2 x9 
PW L - 450 mm x4 	Q8 x2 	R4 x6 
Z x1 		

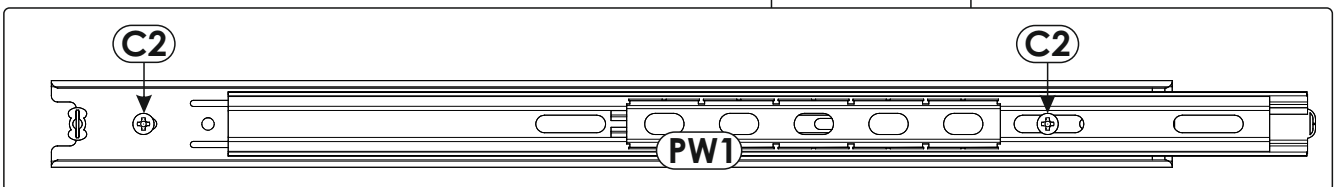
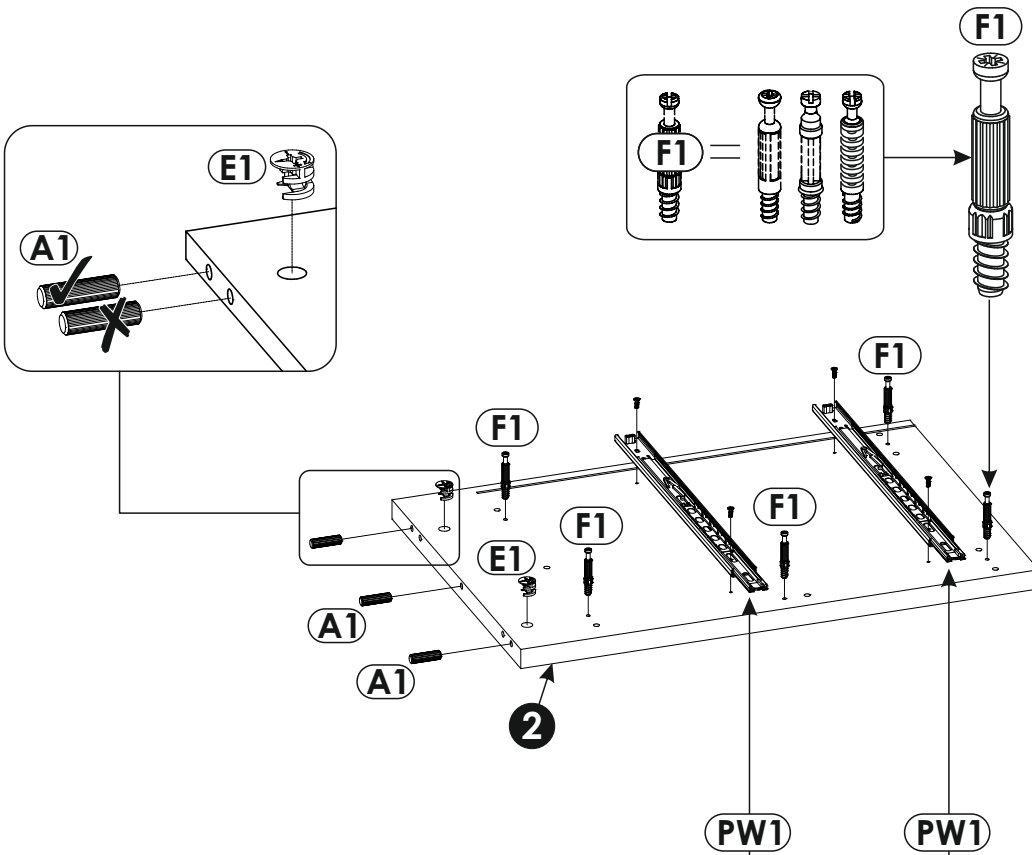
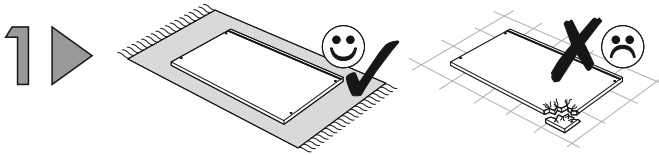
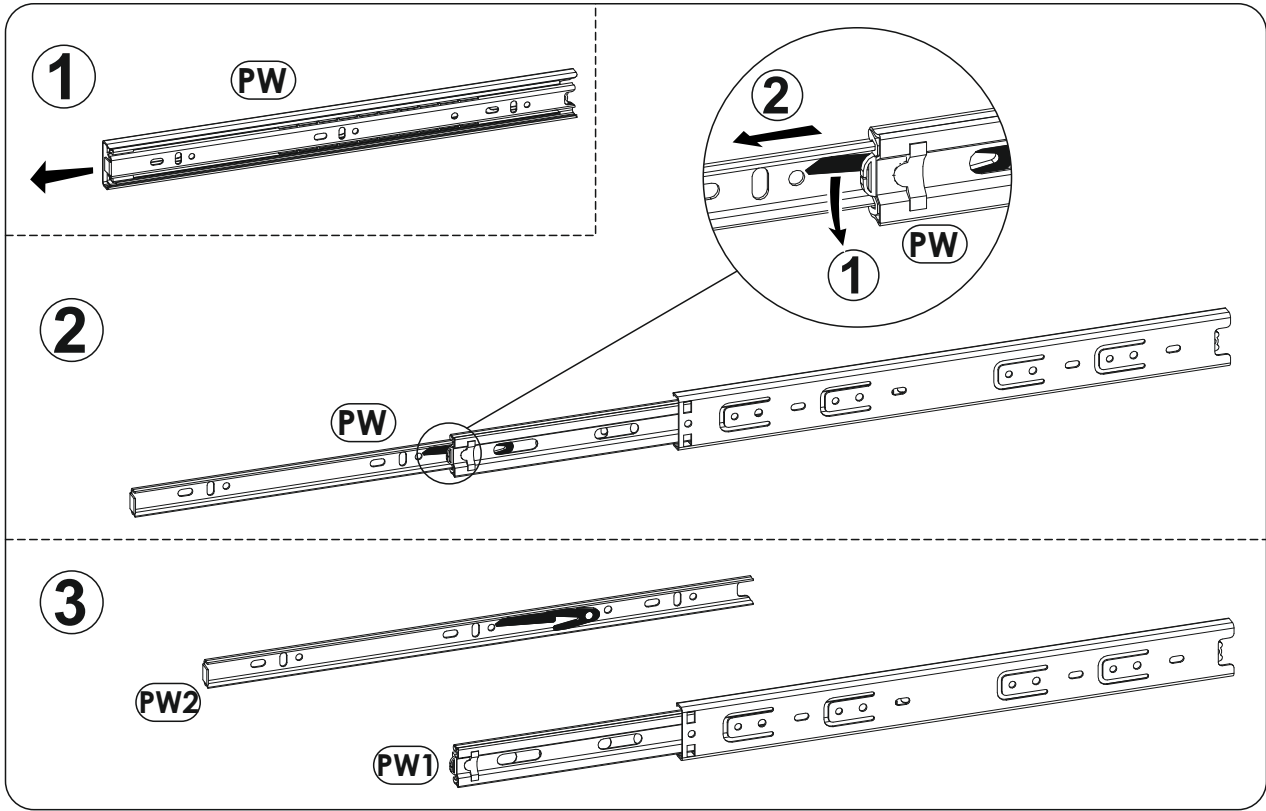
TODB01

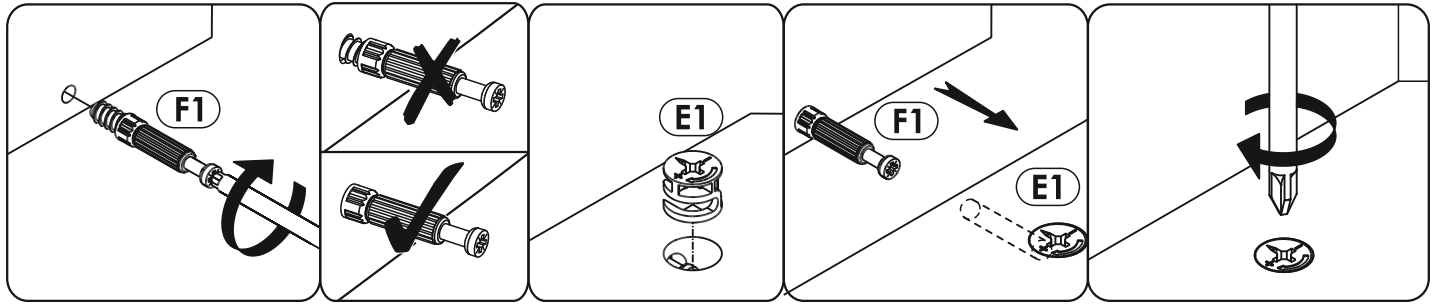


1	1170	550	16	x1	1/2
2	729	498	28	x1	2/2
3	729	498	28	x1	2/2
4	729	498	28	x1	2/2
5	386	494	16	x1	1/2
6	696	300	16	x1	1/2

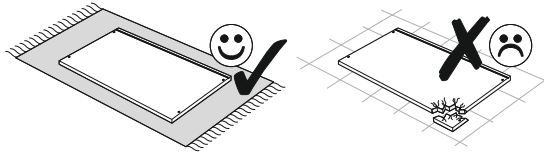
7	386	60	16	x1	1/2
8	386	120	16	x1	1/2
9	386	100	16	x1	1/2
10	386	45	16	x1	1/2
11	380	256	16	x2	1/2

12	450	180	16	x2	1/2
13	450	180	16	x2	1/2
14	329	164	16	x2	1/2
15	343	455	3	x2	2/2
16	554	400	3	x1	1/2

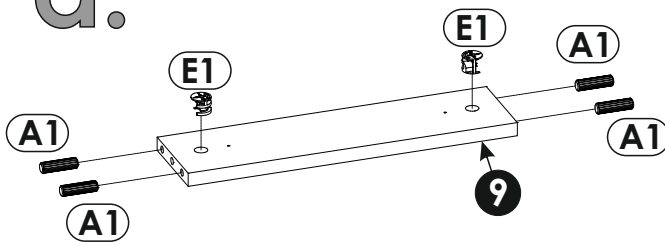




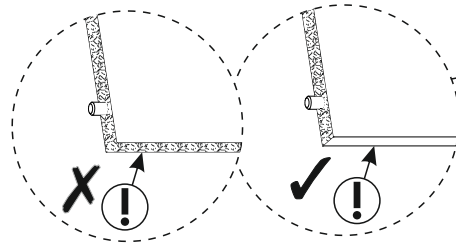
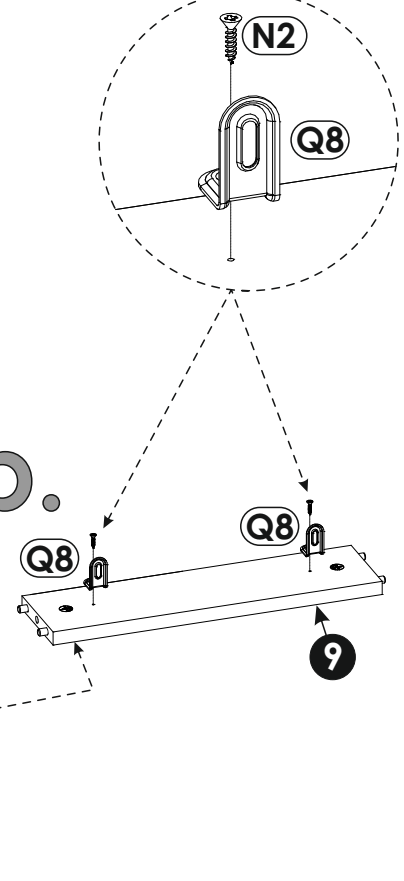
2 ▶



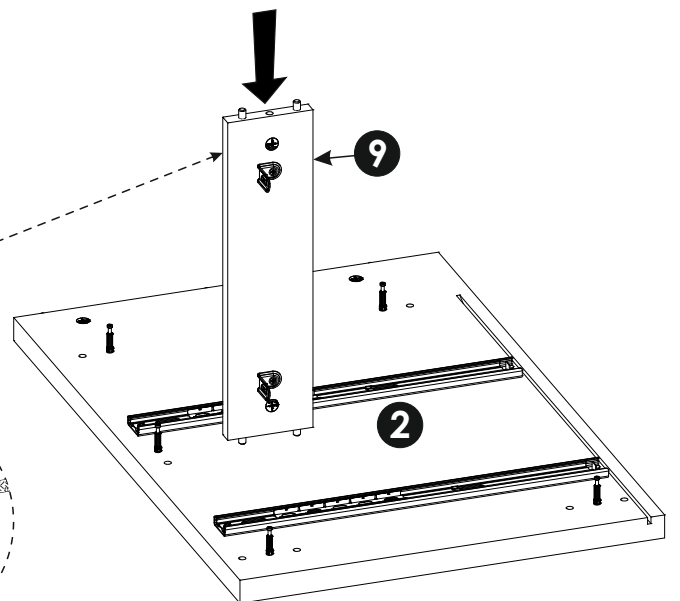
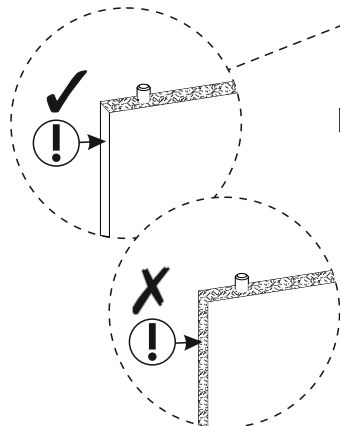
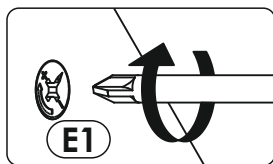
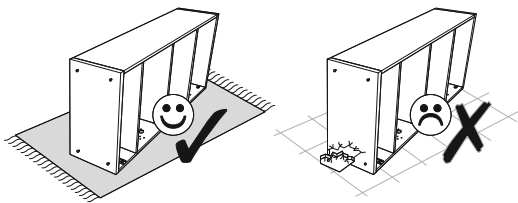
a.



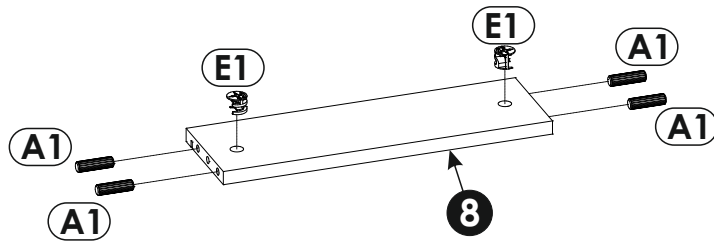
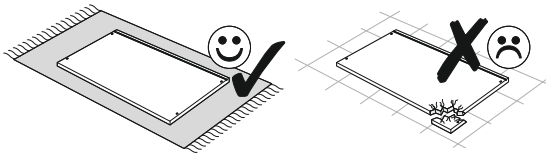
b.



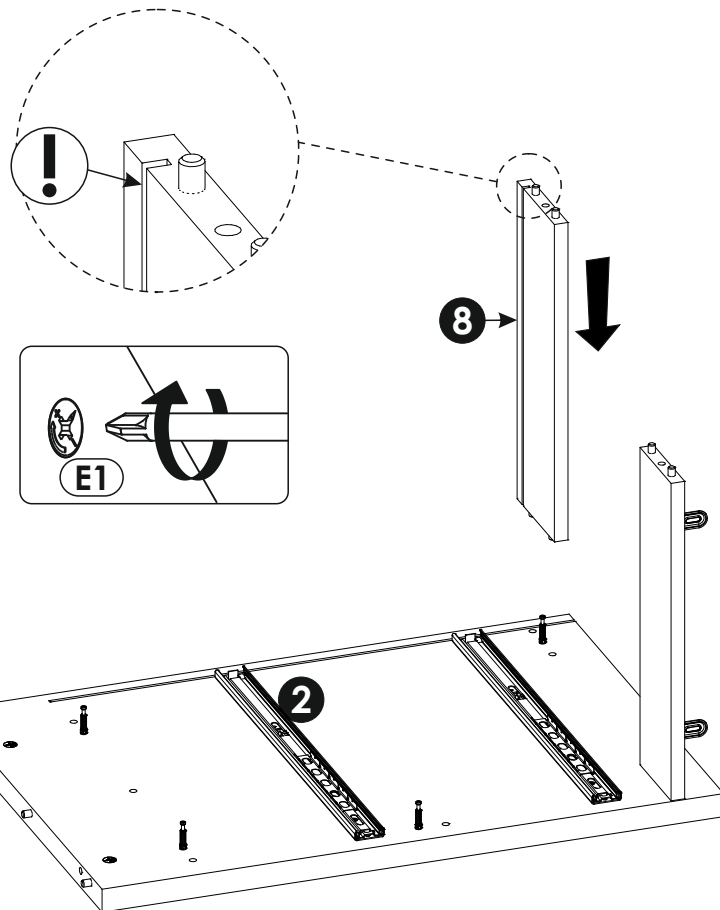
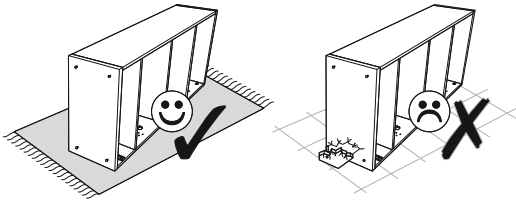
3 ▶



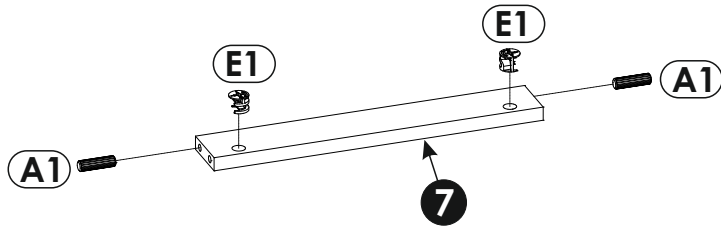
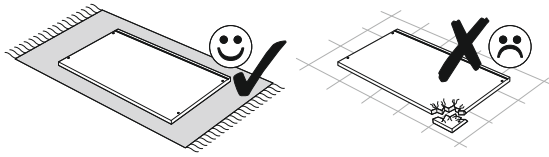
4 ▶



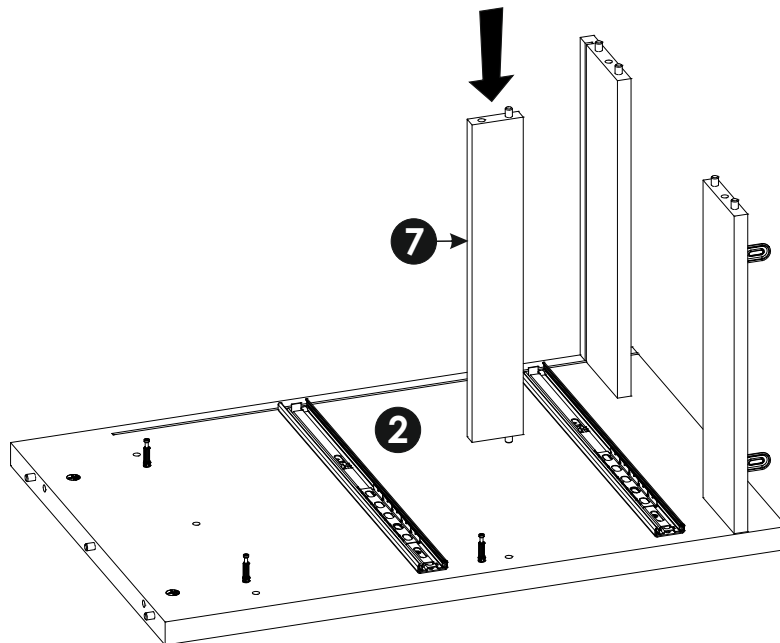
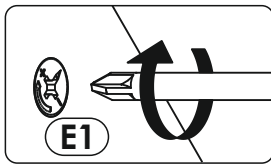
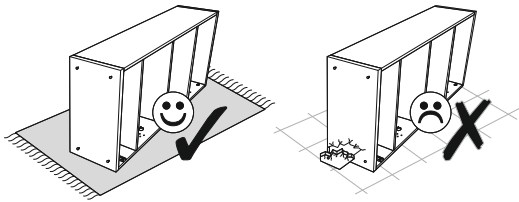
5 ▶



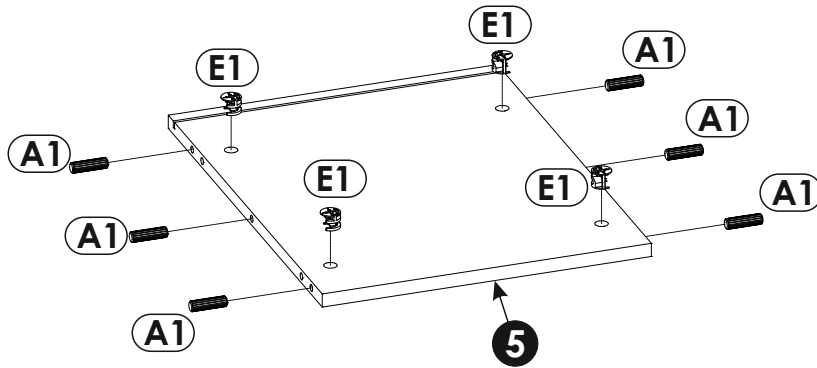
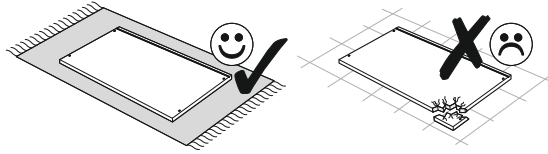
6 ▶



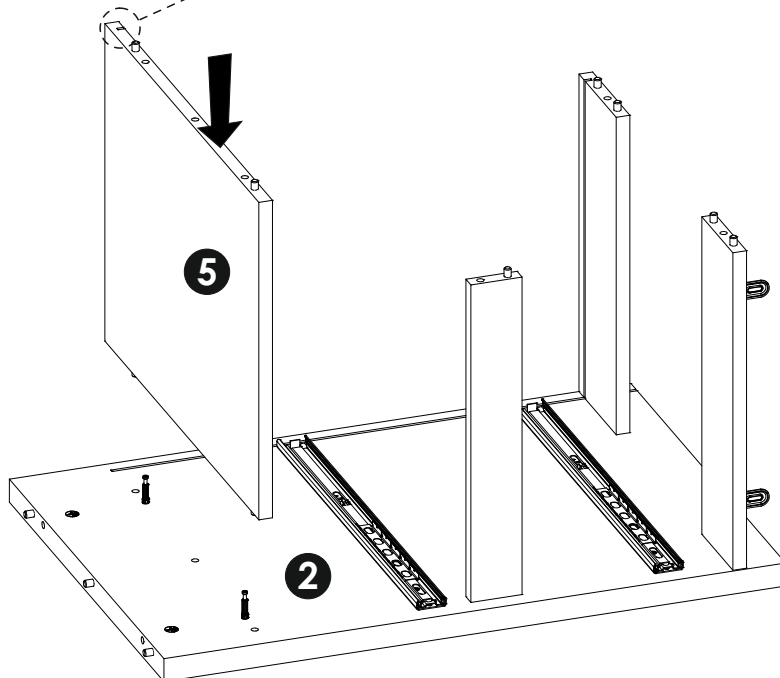
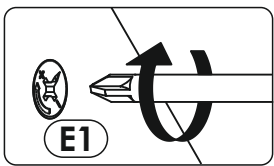
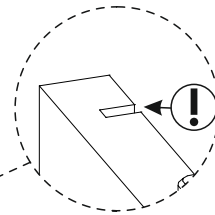
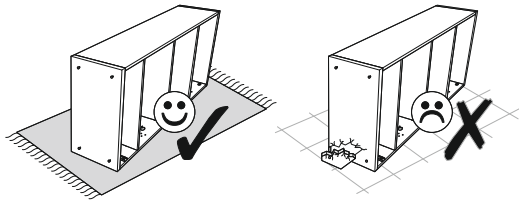
7 ▶



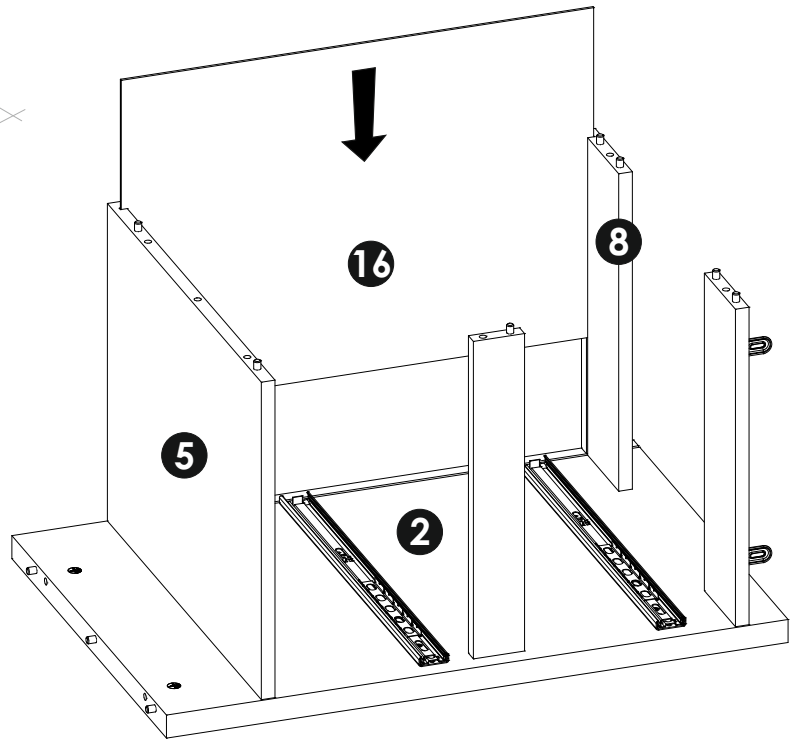
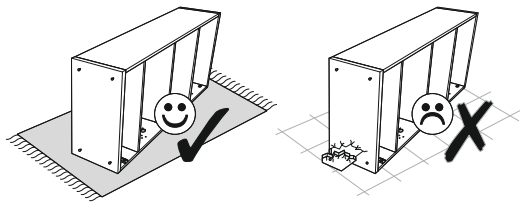
8 ▶



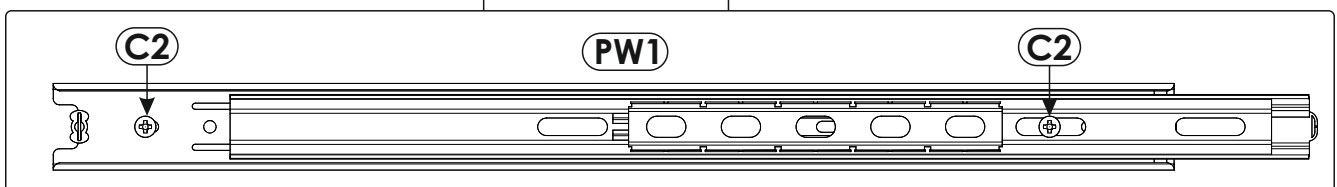
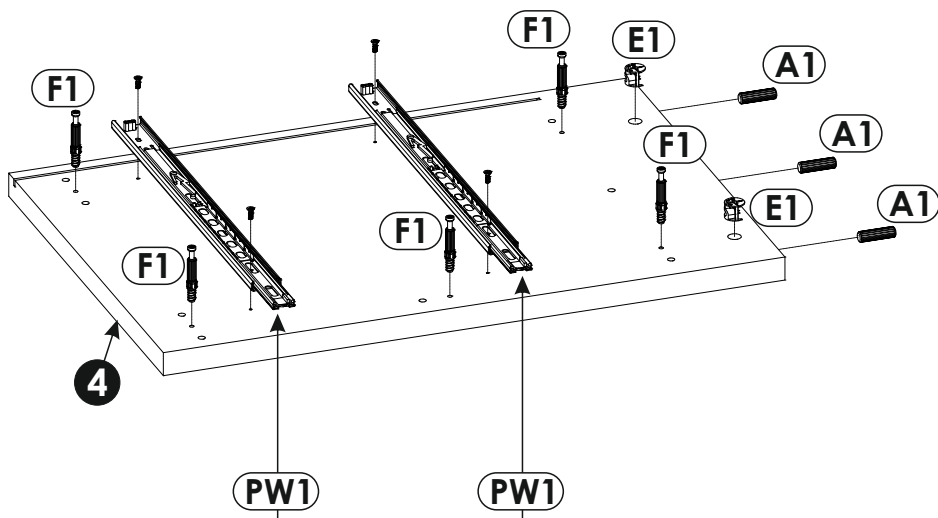
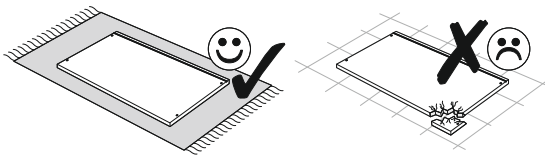
9 ▶



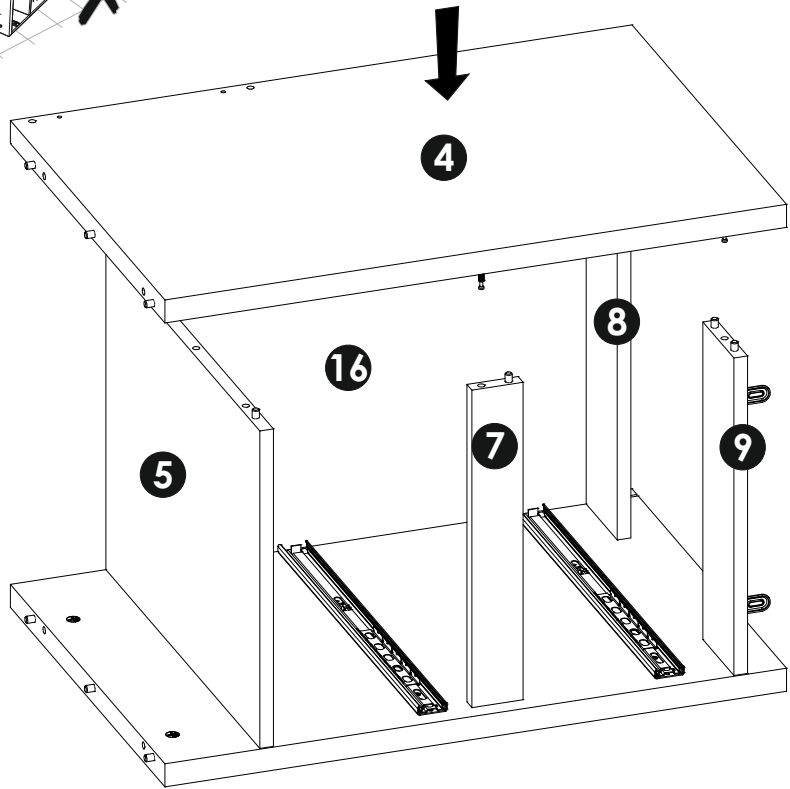
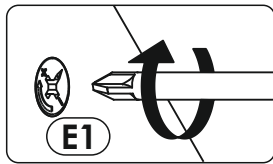
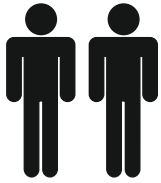
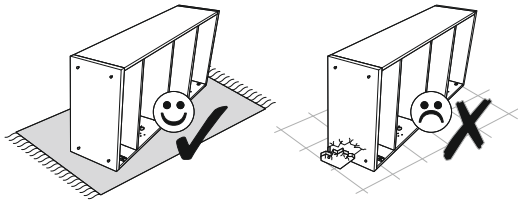
10 ▶



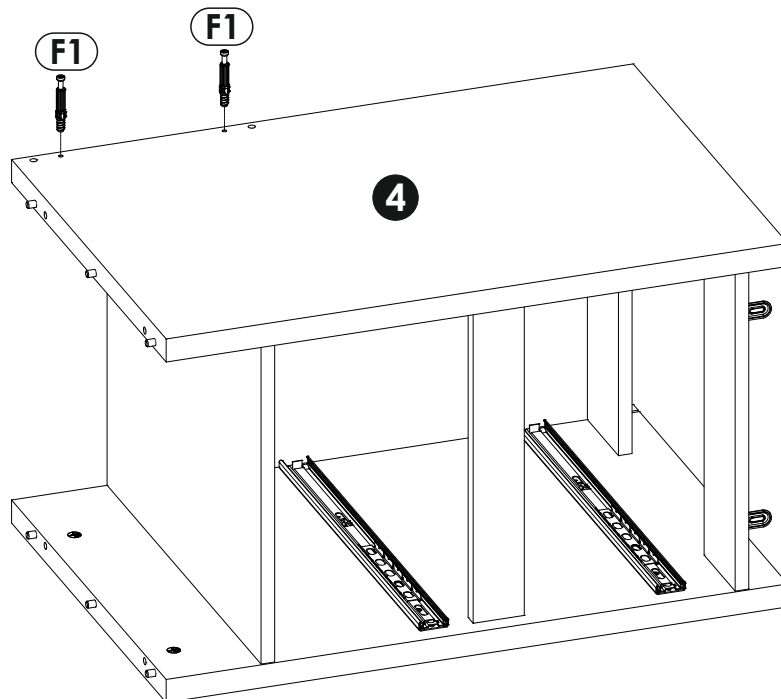
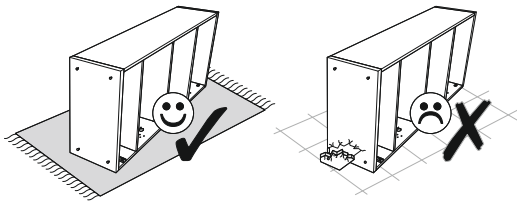
11 ▶



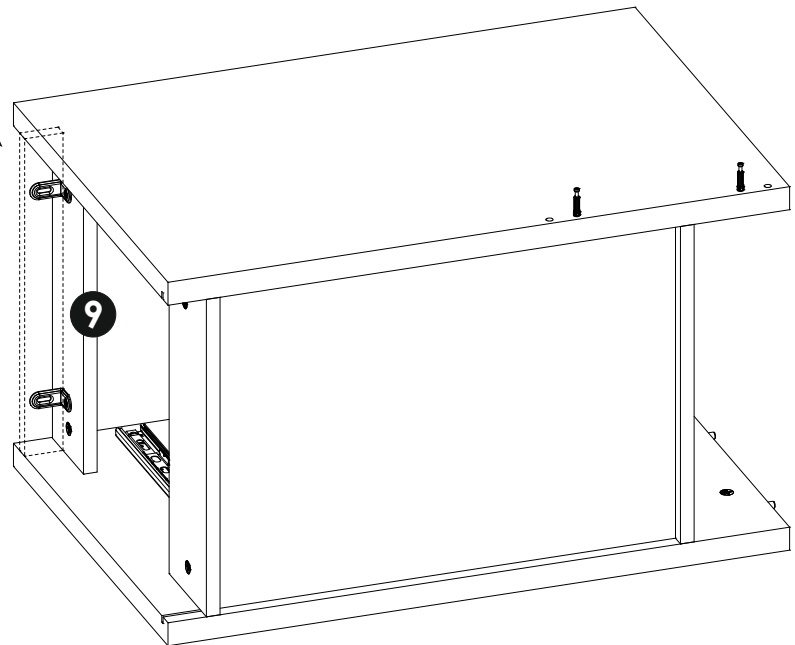
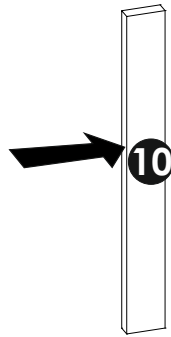
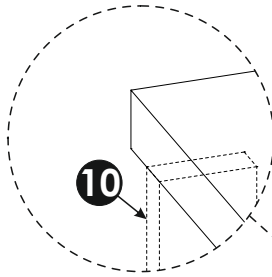
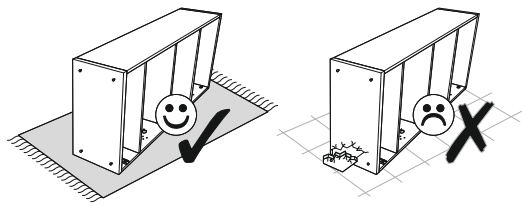
12 ▶



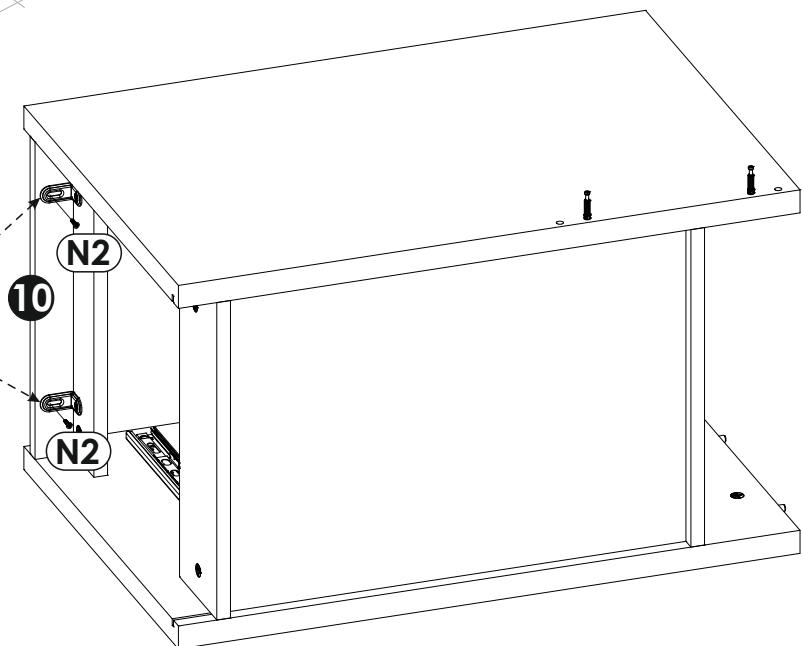
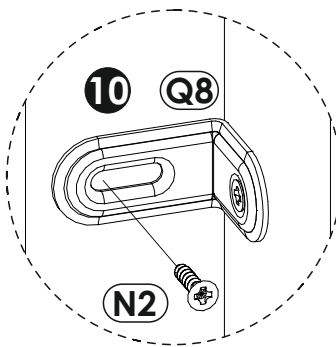
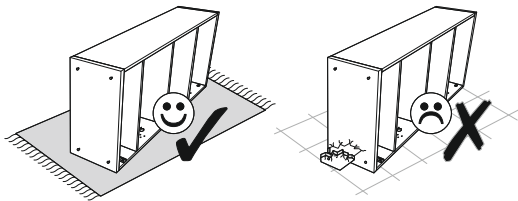
13 ▶

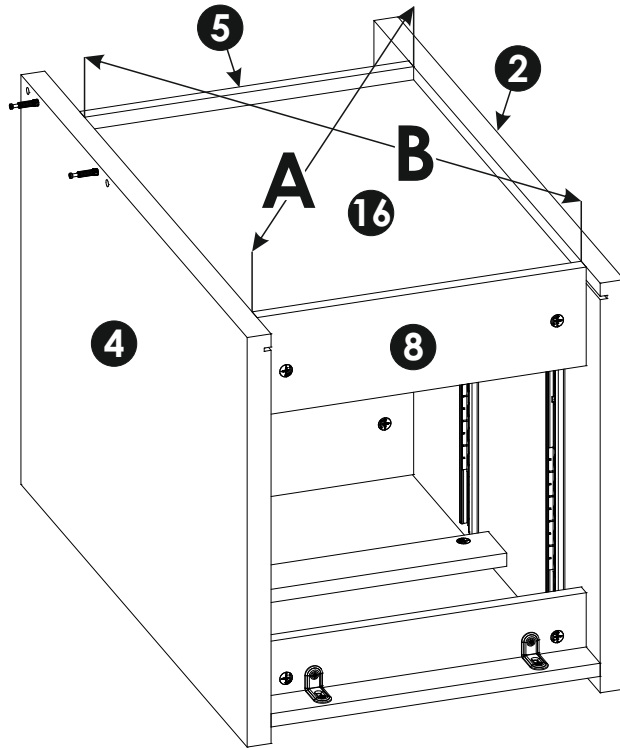
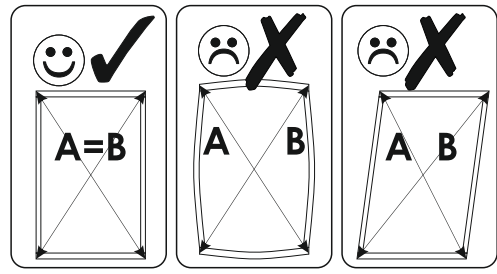
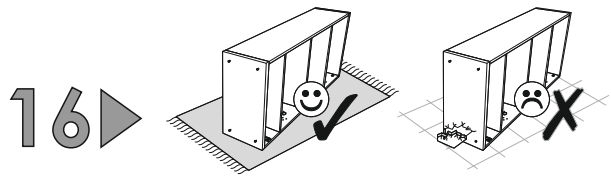


14▶

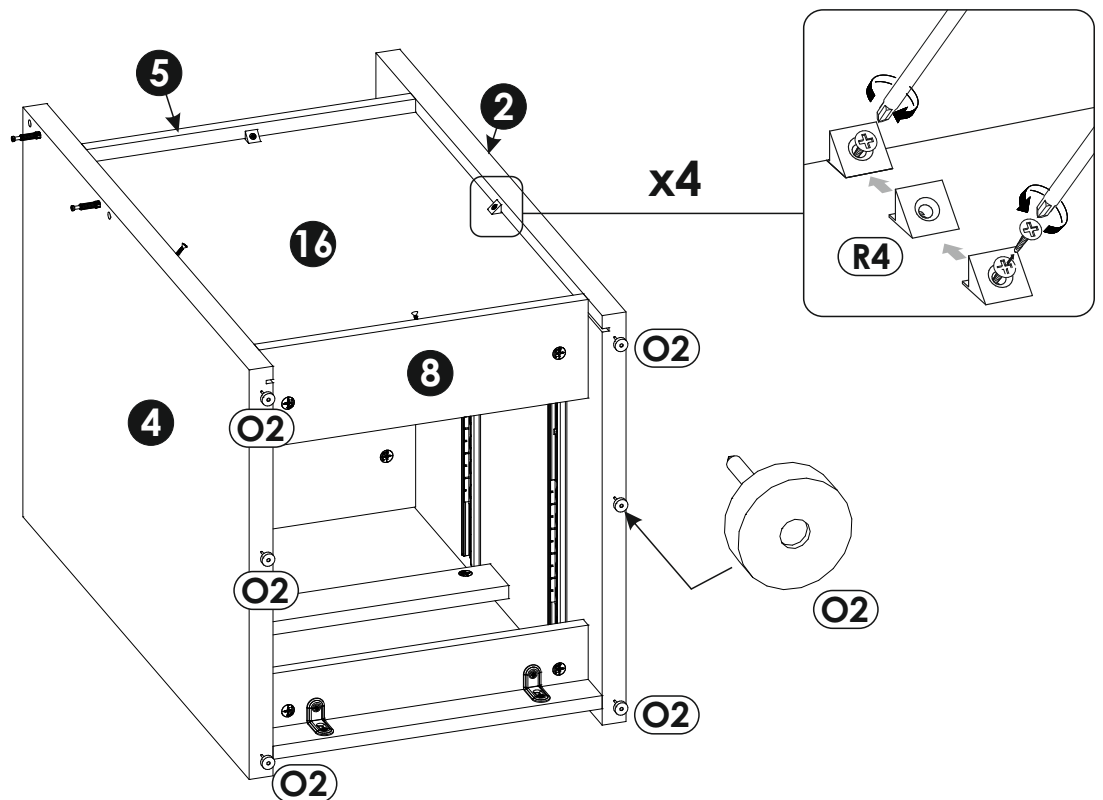
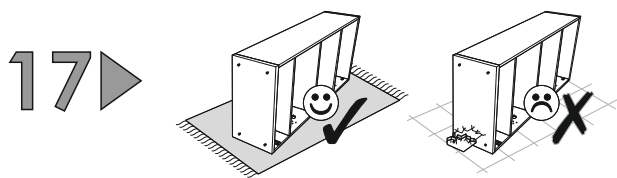


15▶

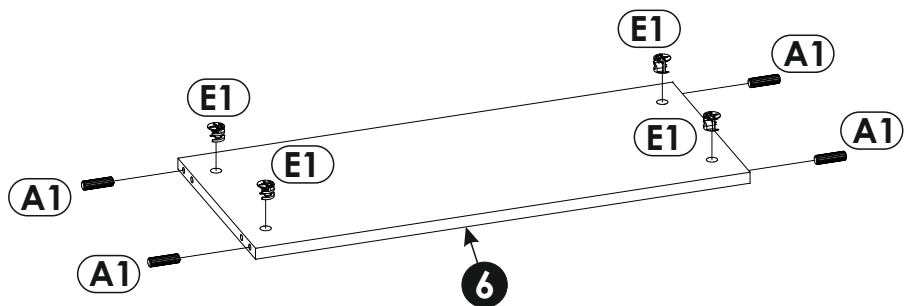
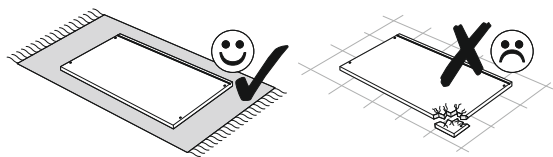




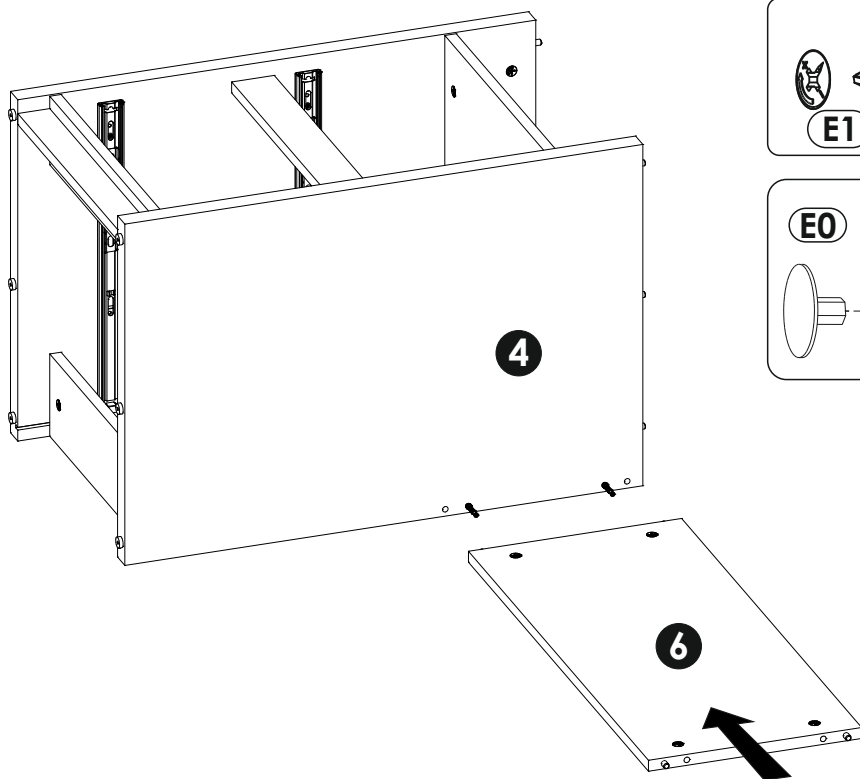
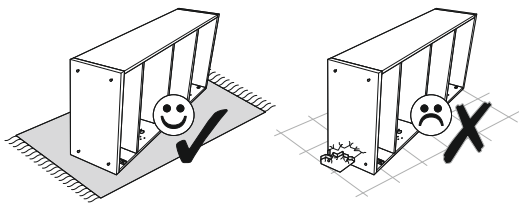
A=B



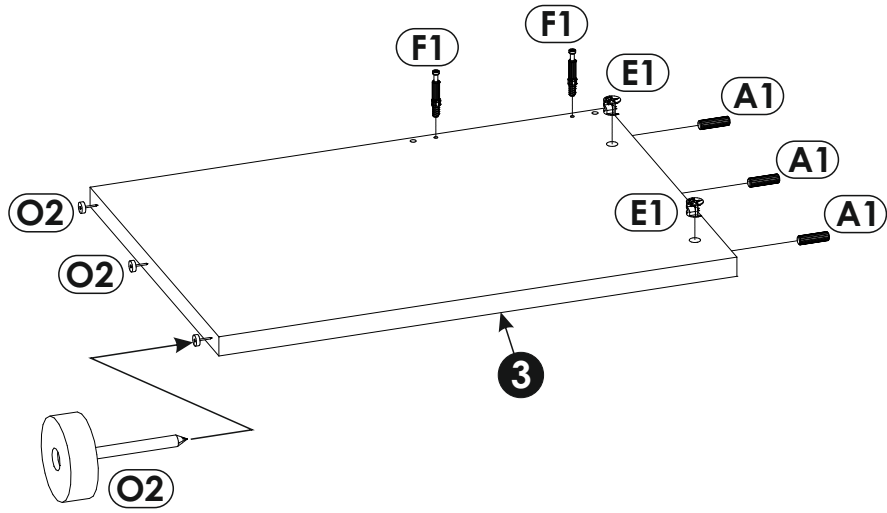
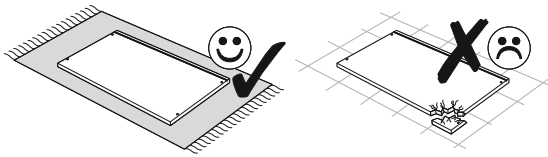
18▶



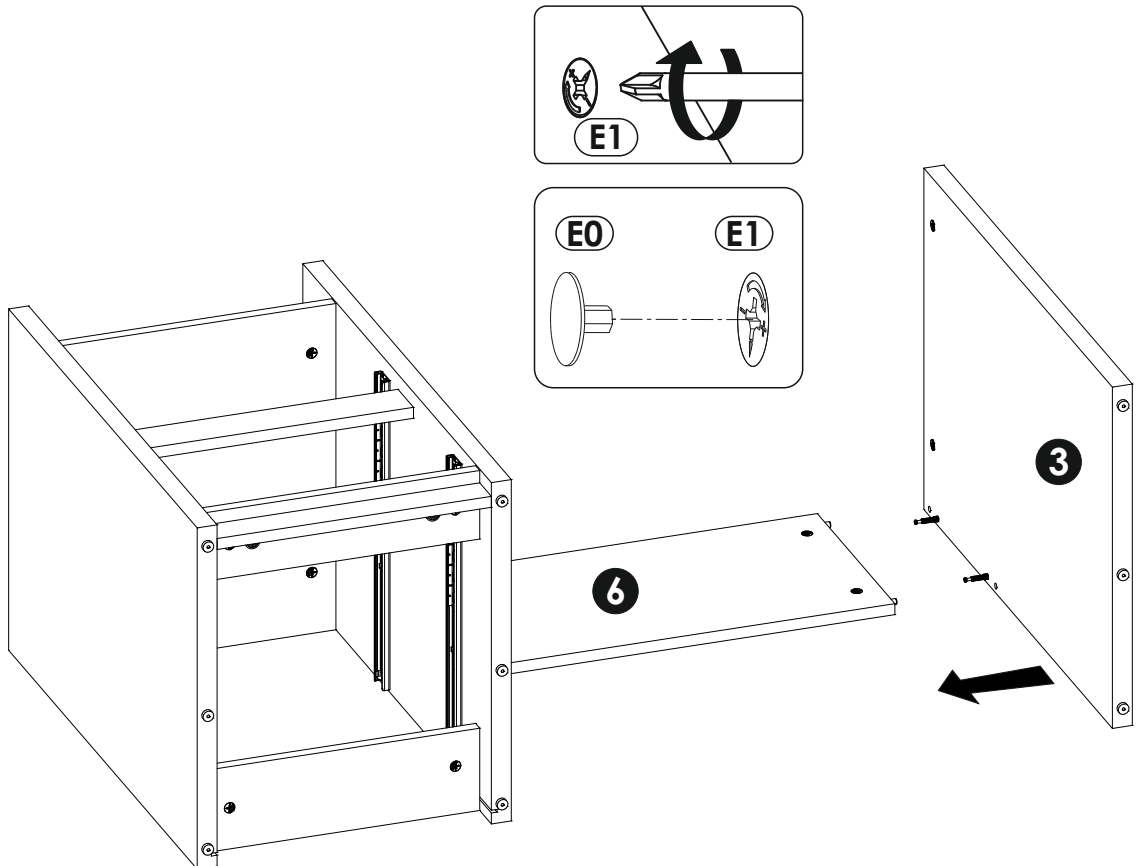
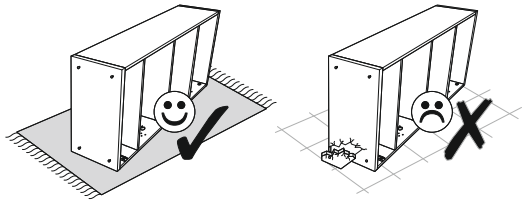
19▶



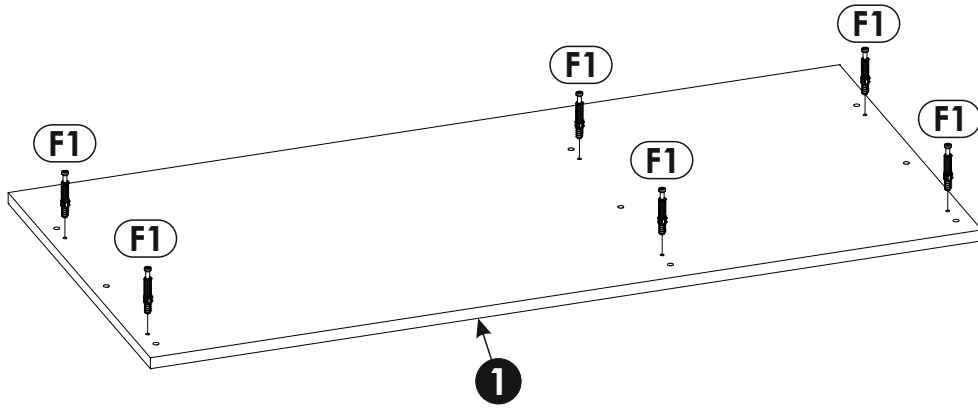
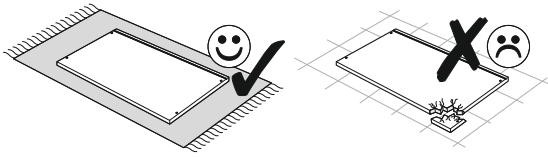
20▶



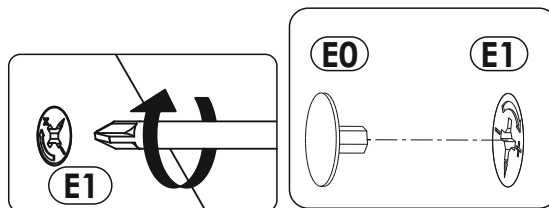
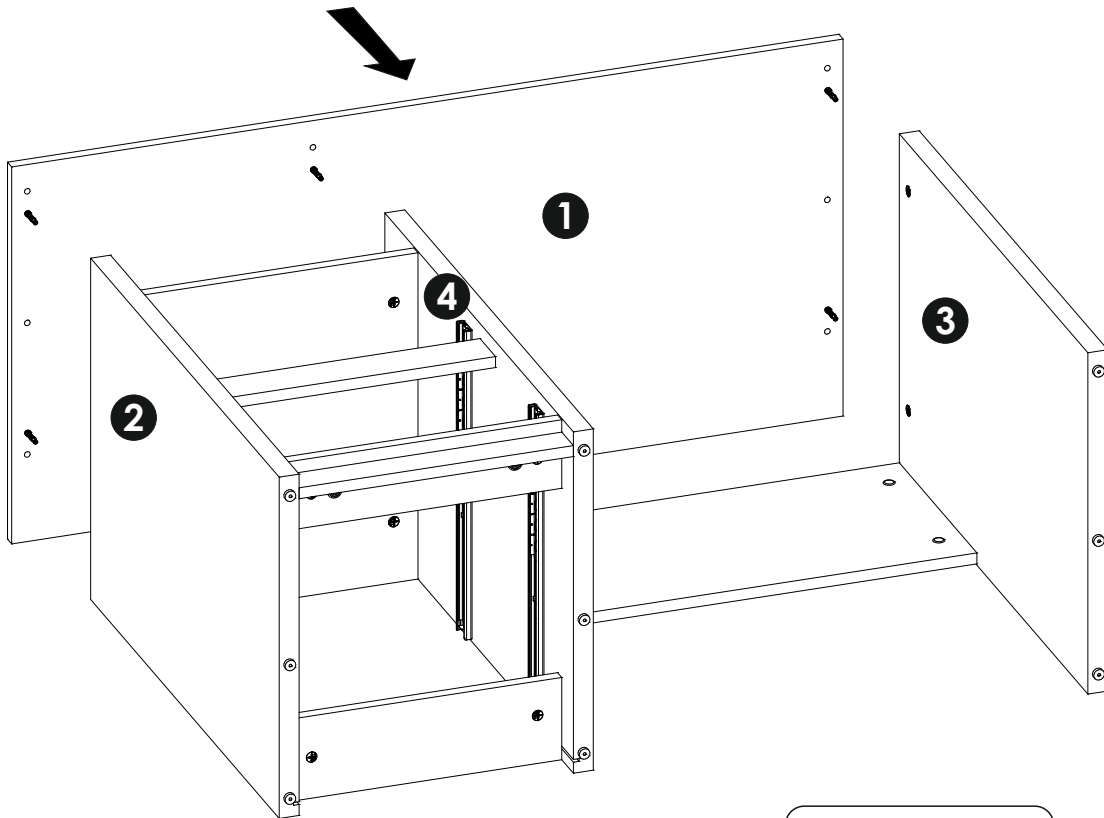
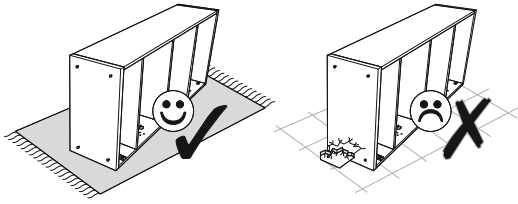
21▶



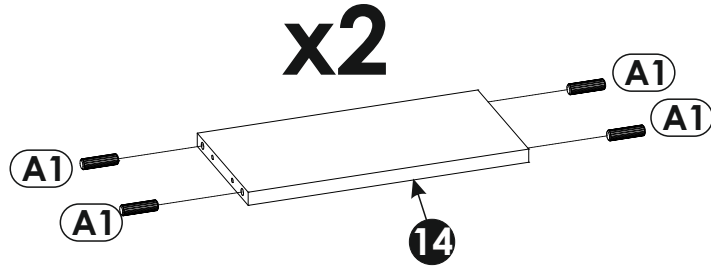
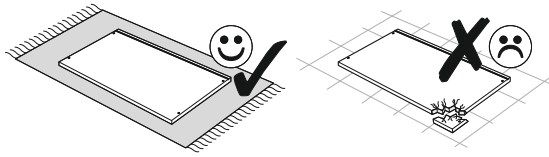
22▶



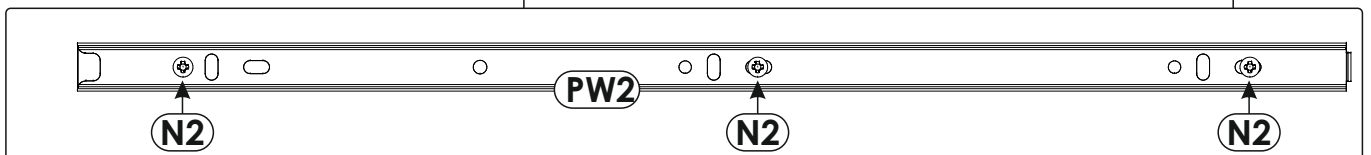
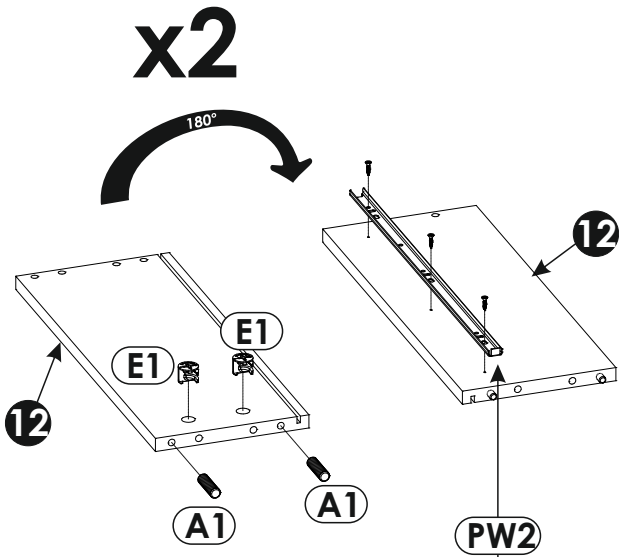
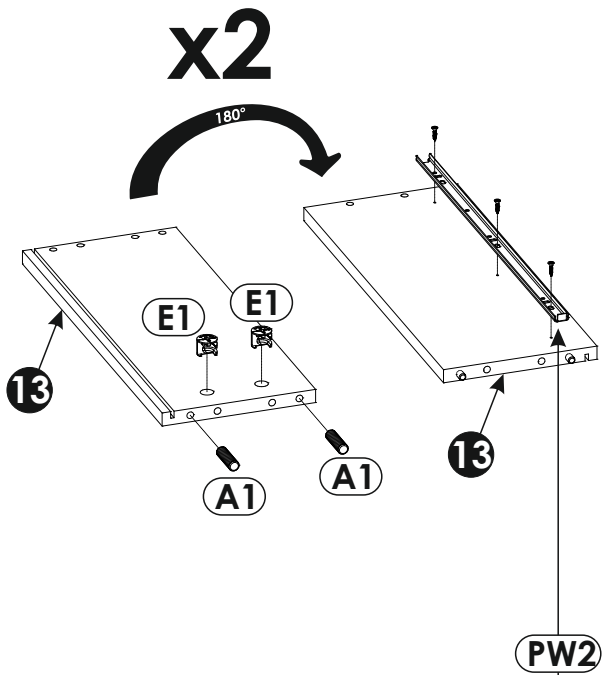
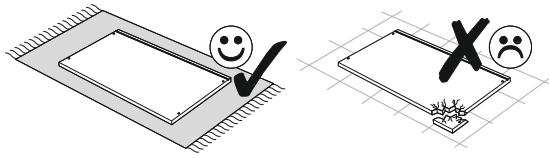
23▶



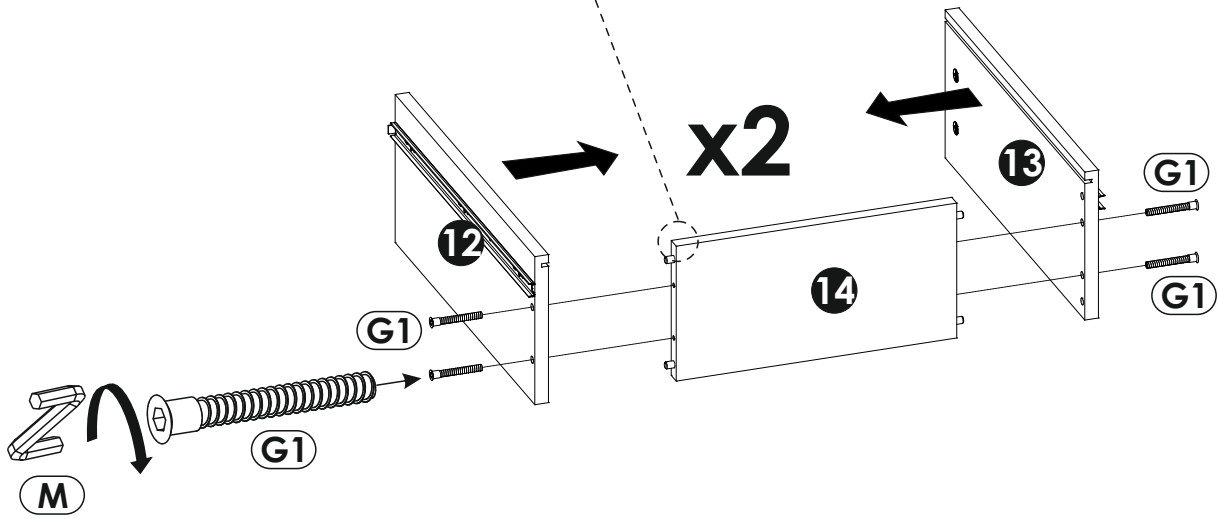
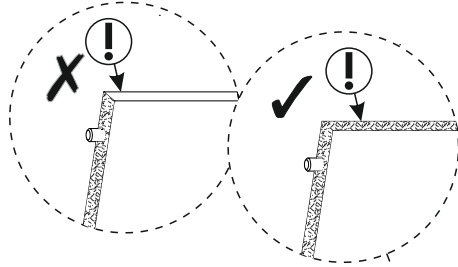
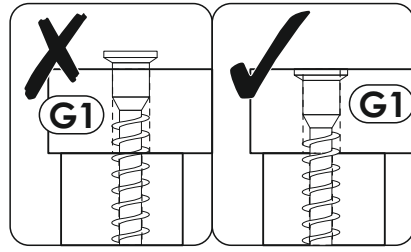
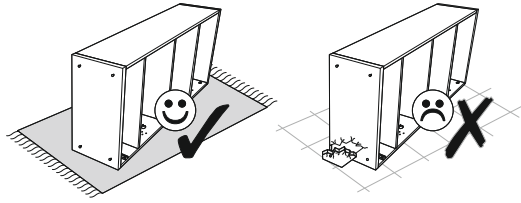
24▶



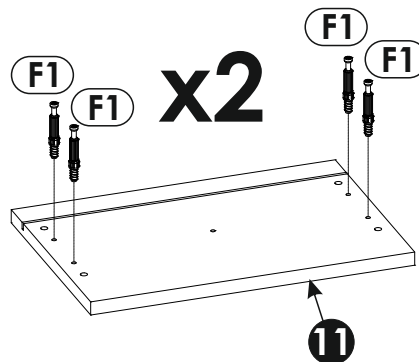
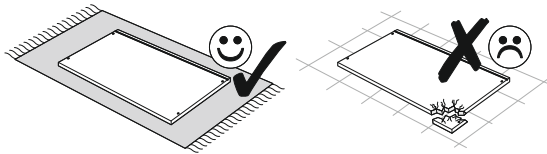
25▶



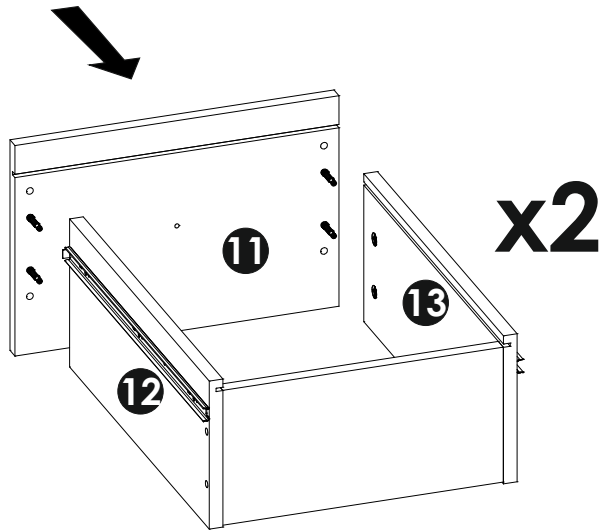
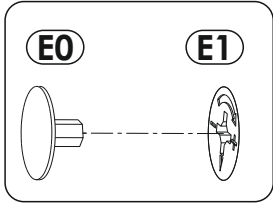
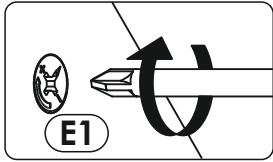
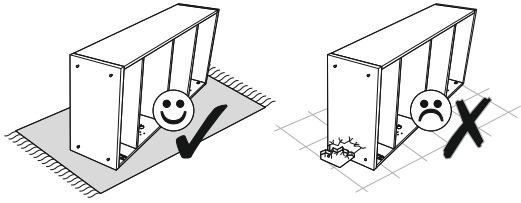
26 ▶



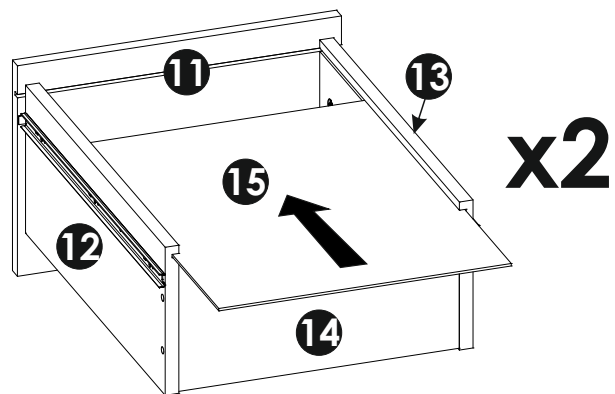
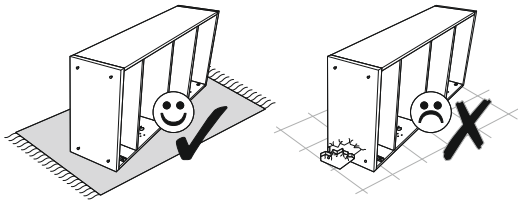
27 ▶



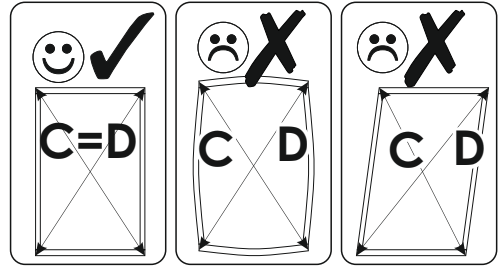
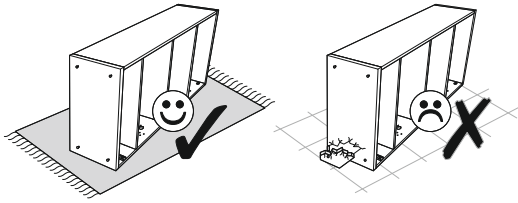
28 ▶



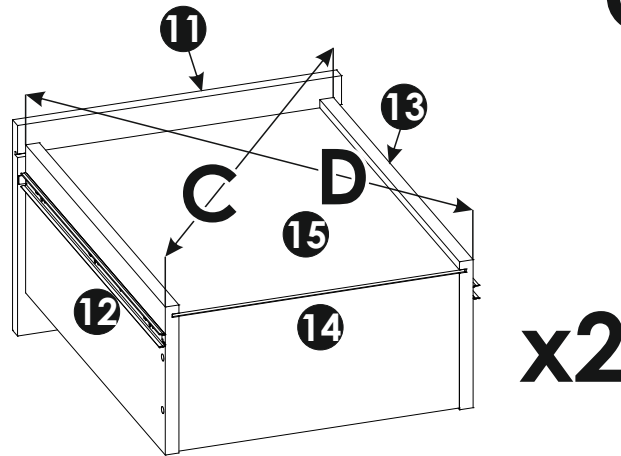
29 ▶



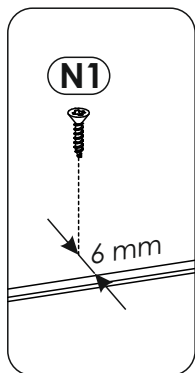
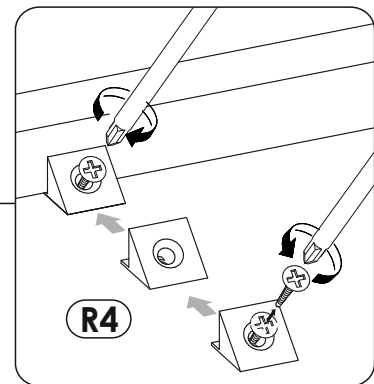
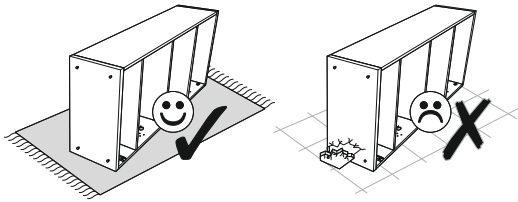
30 ▶



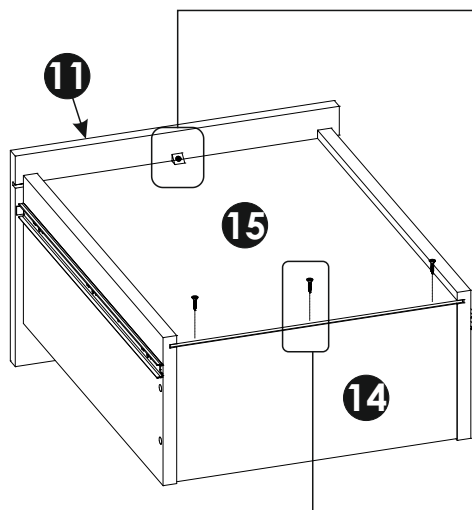
C=D



31 ▶

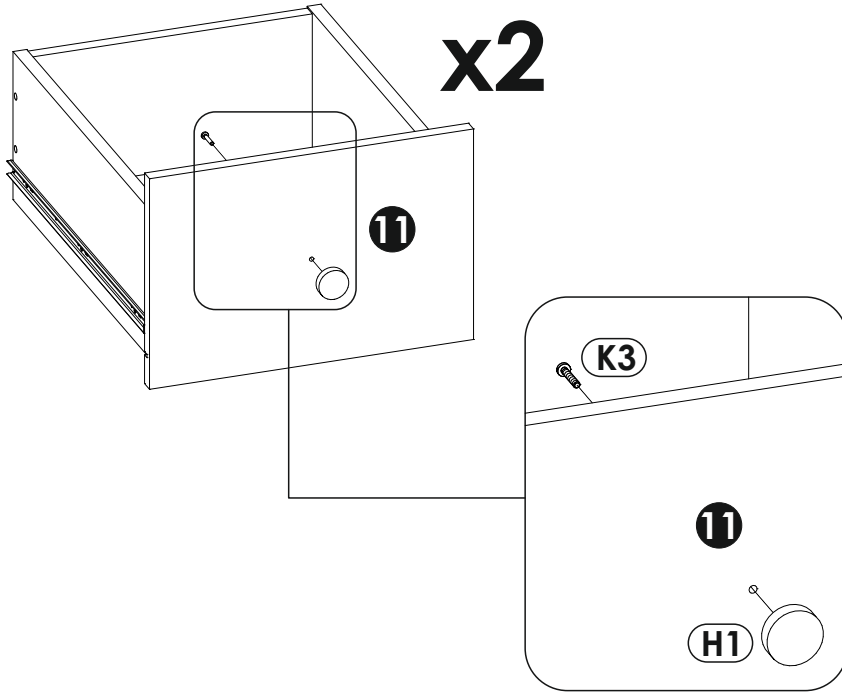
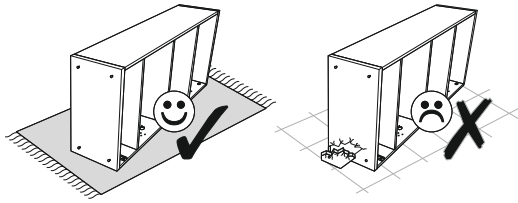


x3

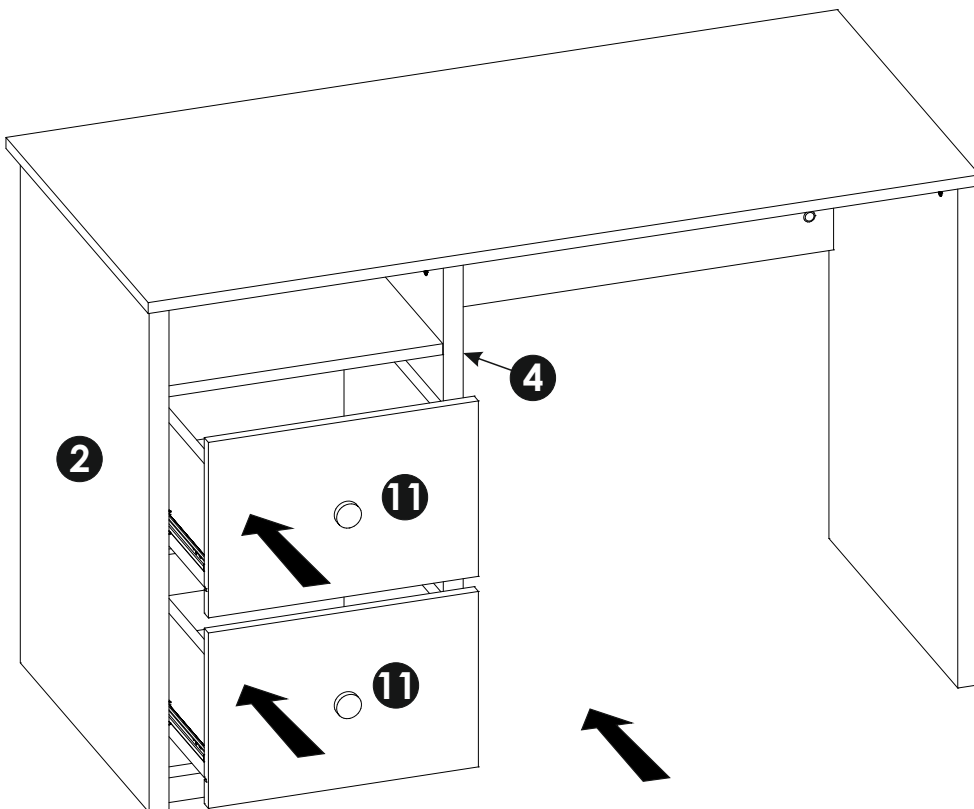


x2

32▶



33▶



34▶

