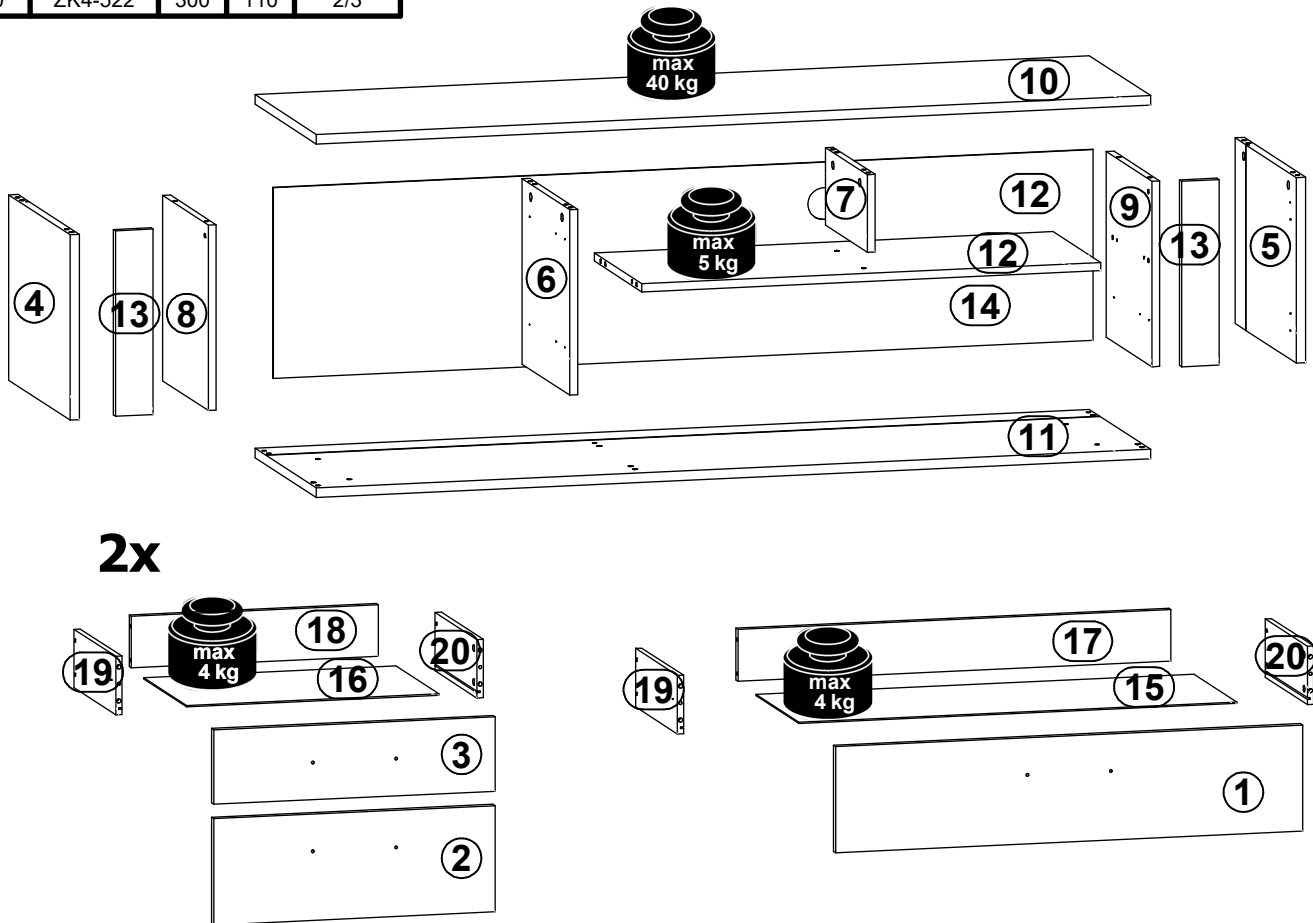
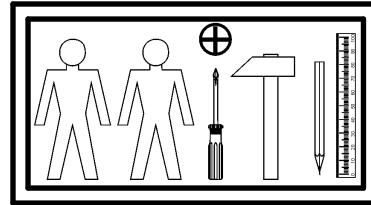
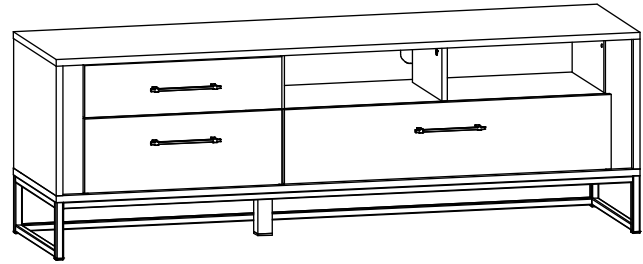
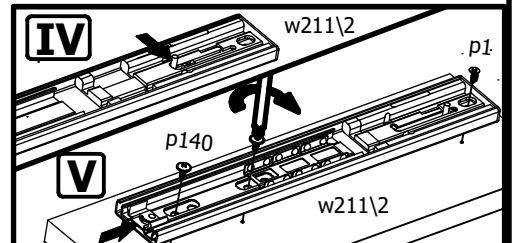
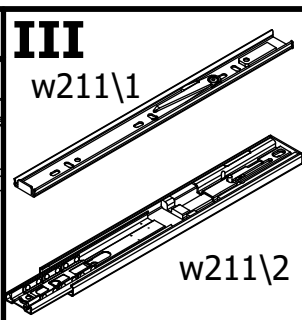
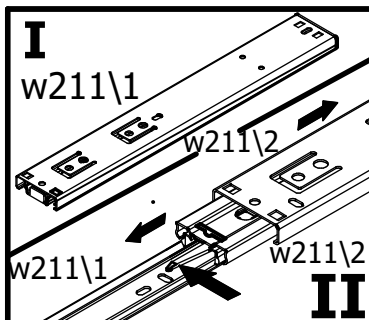
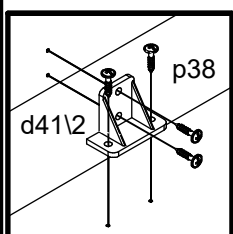
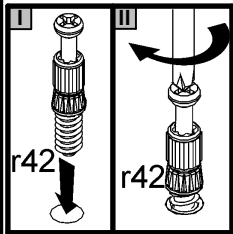
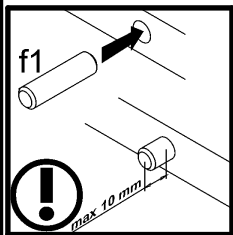
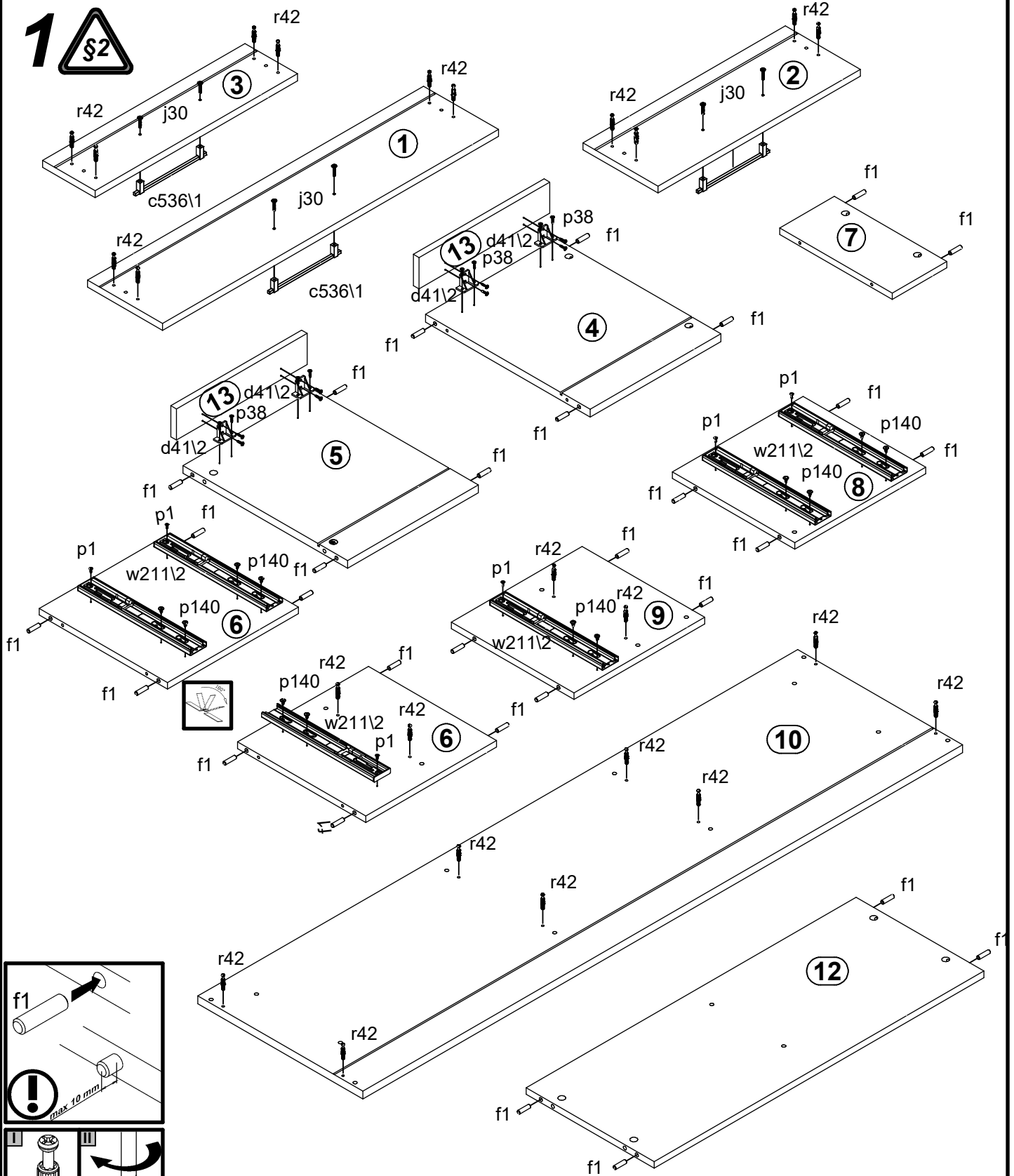


A	B	C	D	
1	S473-0001	896	200	1/3
2	S473-0002	540	200	1/3
3	S473-0003	540	140	1/3
4	S473-1001	349	439	2/3
5	S473-1002	349	439	2/3
6	S473-1003	349	342	2/3
7	S473-1004	146	300	2/3
8	S473-1005	349	327	2/3
9	S473-1006	349	327	2/3
10	S473-2001	1600	440	1/3
11	S473-2002	1600	440	1/3
12	S473-3001	880	341	2/3
13	S473-5001	349	72	1/3
14	S473-9001	1573	359	1/3
15	S473-9002	840	307	2/3
16	S473-9003	484	307	2/3
17	ZK3-5137	830	97	1/3
18	ZK3-5138	474	97	1/3
19	ZK4-521	300	110	2/3
20	ZK4-522	300	110	2/3

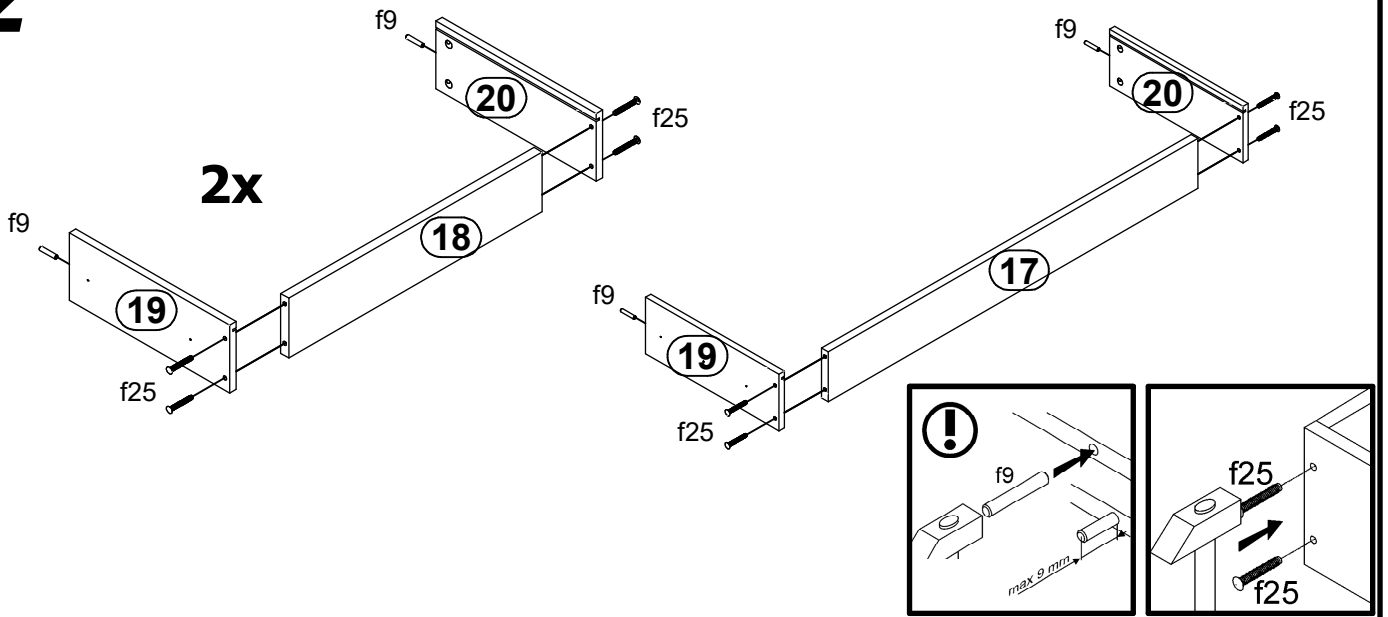


3x  c53611	4x  d412	8x  Ø7x50 mm e1	8x  Ø6x30 mm e16	26x  Ø8x30 mm f1	12x  Ø6.5x40 mm f25	6x  Ø6x30 mm f9	28x  M5x12 mm j173	6x  M4x22 mm j30
1x  k133i52L	1x  k133i52P	2x  k133i53	1x  L-1560mm 18x18 k133i62	2x  L-1560mm 18x18 k133i63	2x  L-400mm 18x18 k133i64	2x  L-400mm 18x18 k133i65	1x  Ø2.5x42.5i4 mm k1481	1x  Ø6x40i144 mm k148i3
10x  l2	6x  Ø3.5x13 mm p1	30x  Ø3.5x12 mm p140	1x  Ø3.5x16 mm p25	1x  Ø3.5x10 mm p35	33x  Ø3.5x16 mm p38	2x  Ø2.9x16 mm p55	12x  Ø15x12 mm #16 r1	12x  Ø12x10.5 mm #12 r15
24x  r42	1x  300 mm t25	6x  L=300 mm w211i1	6x  L=300 mm w211i2	2x  Ø 20mm s68	1x  4 mm z1	1x  3 mm z22	1x  n26i1	

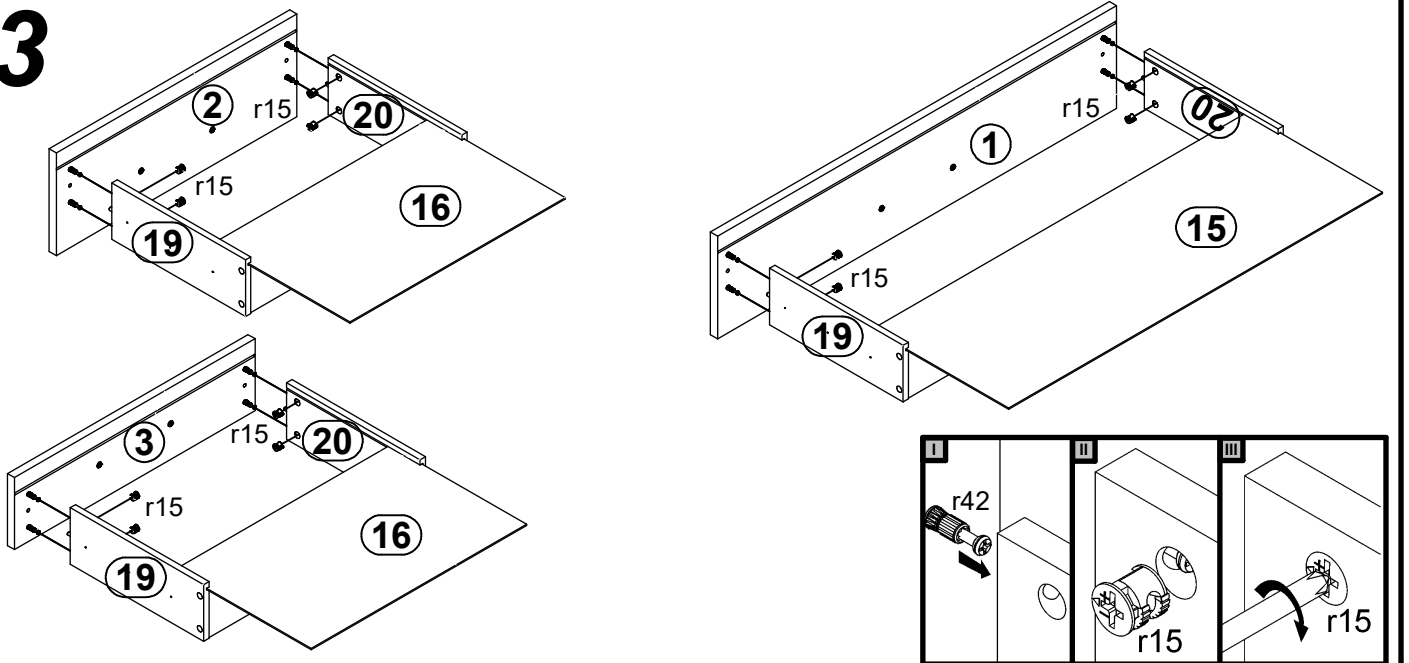
1 



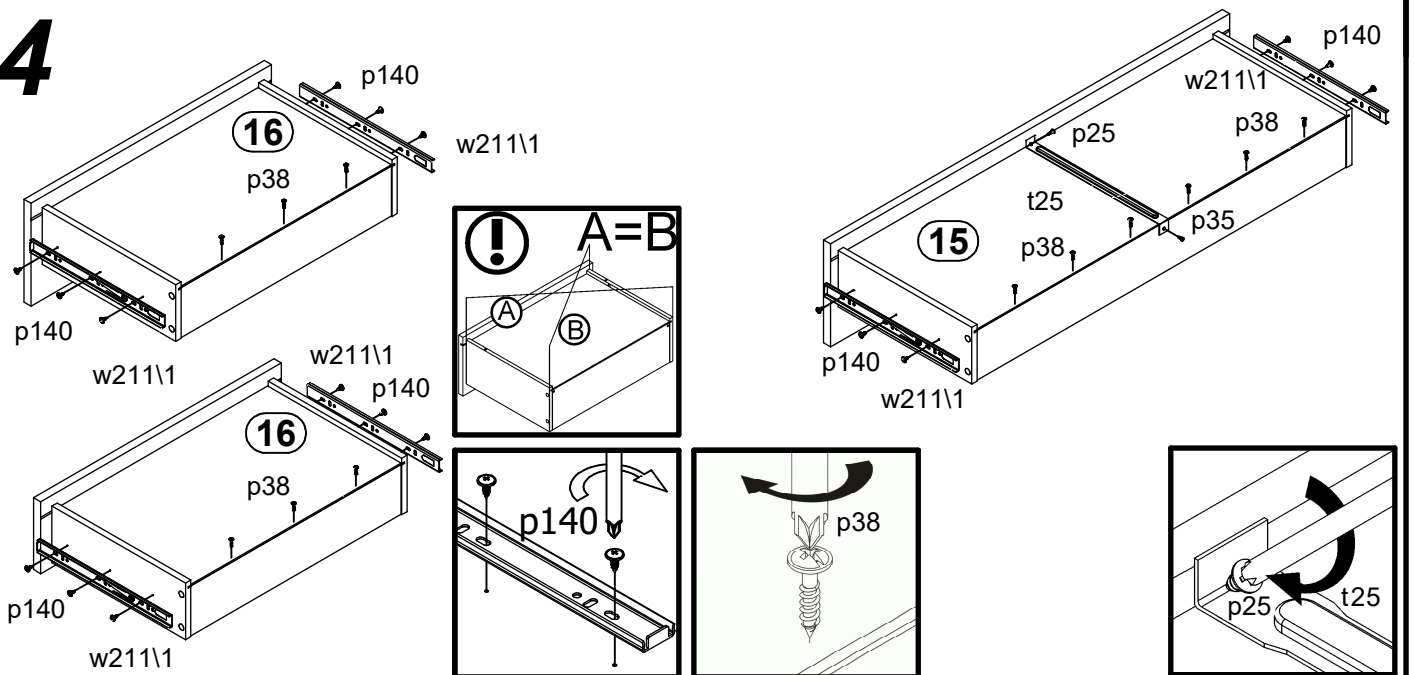
# 2



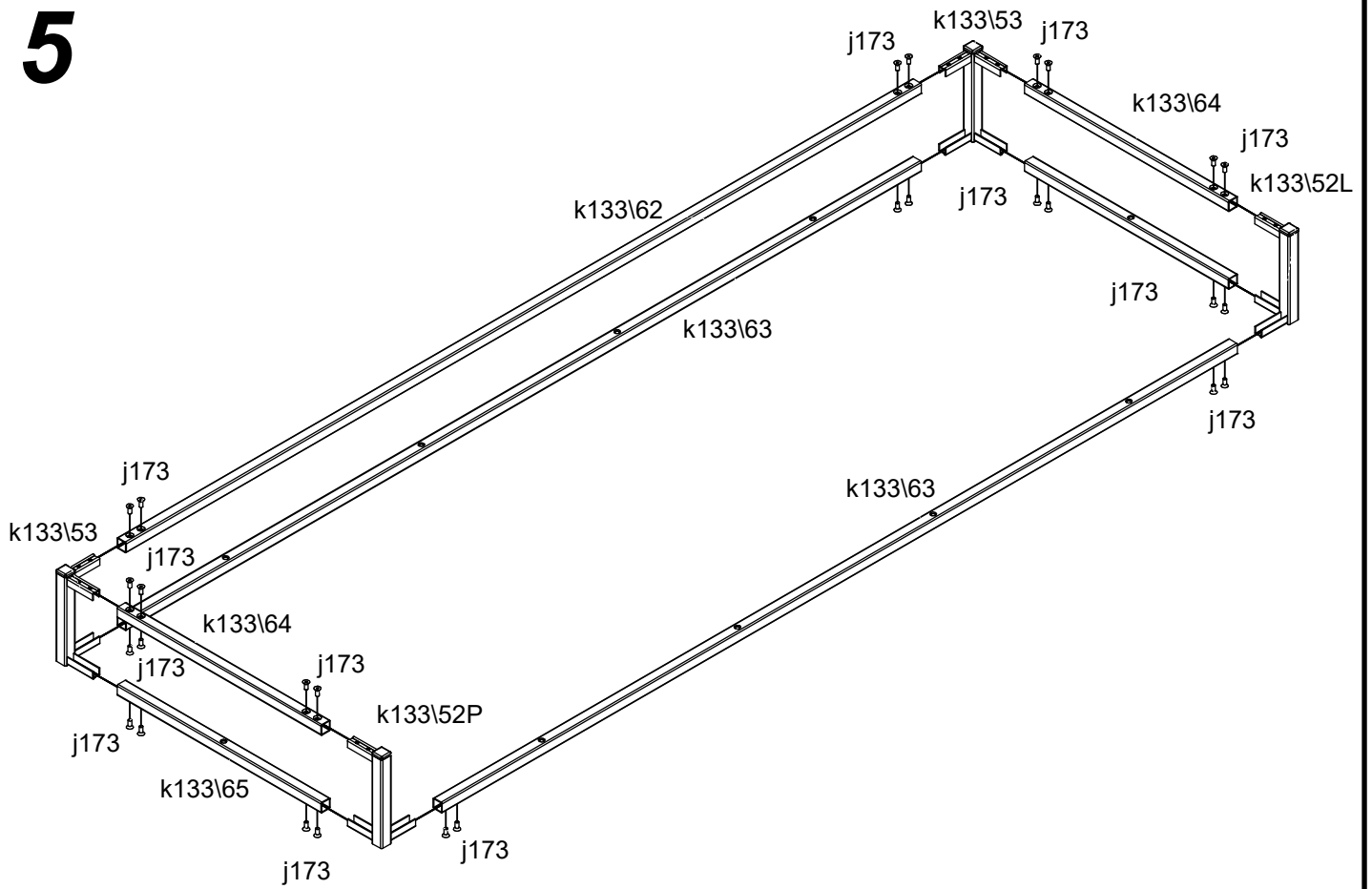
# 3



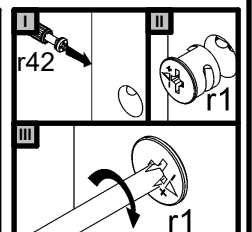
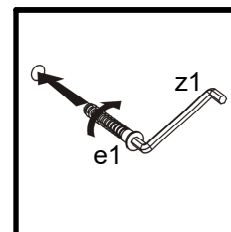
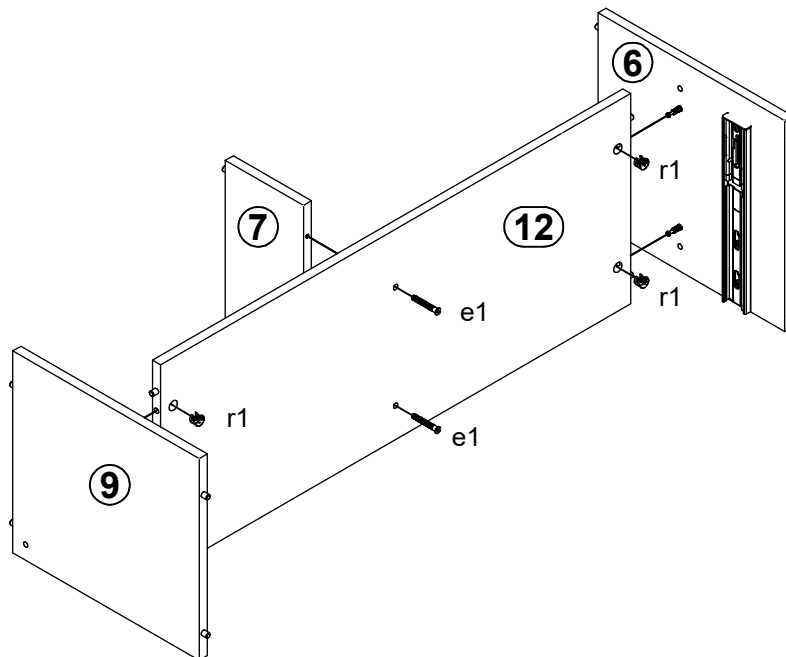
# 4



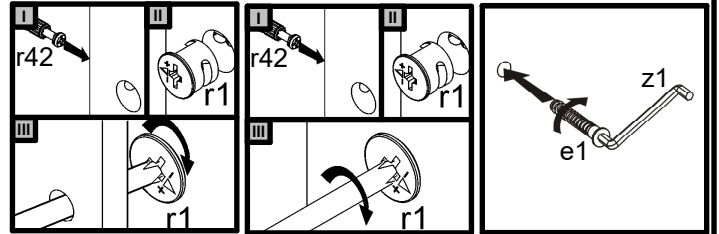
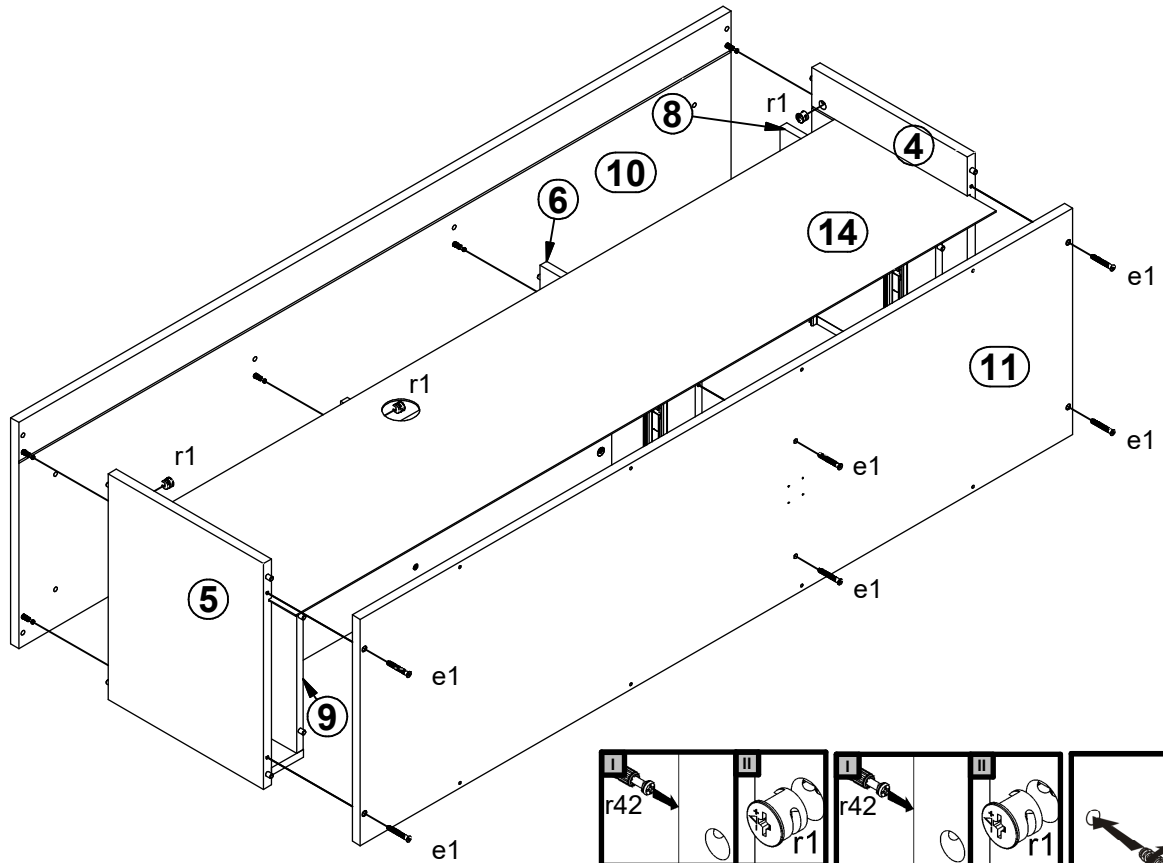
# 5



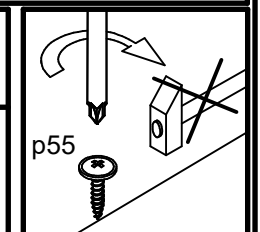
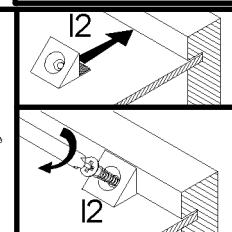
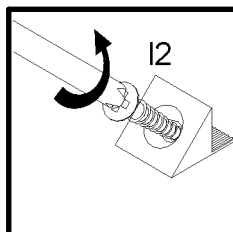
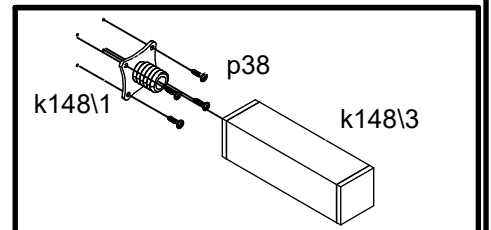
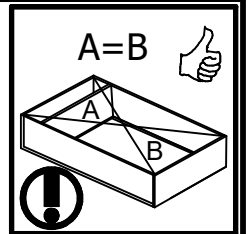
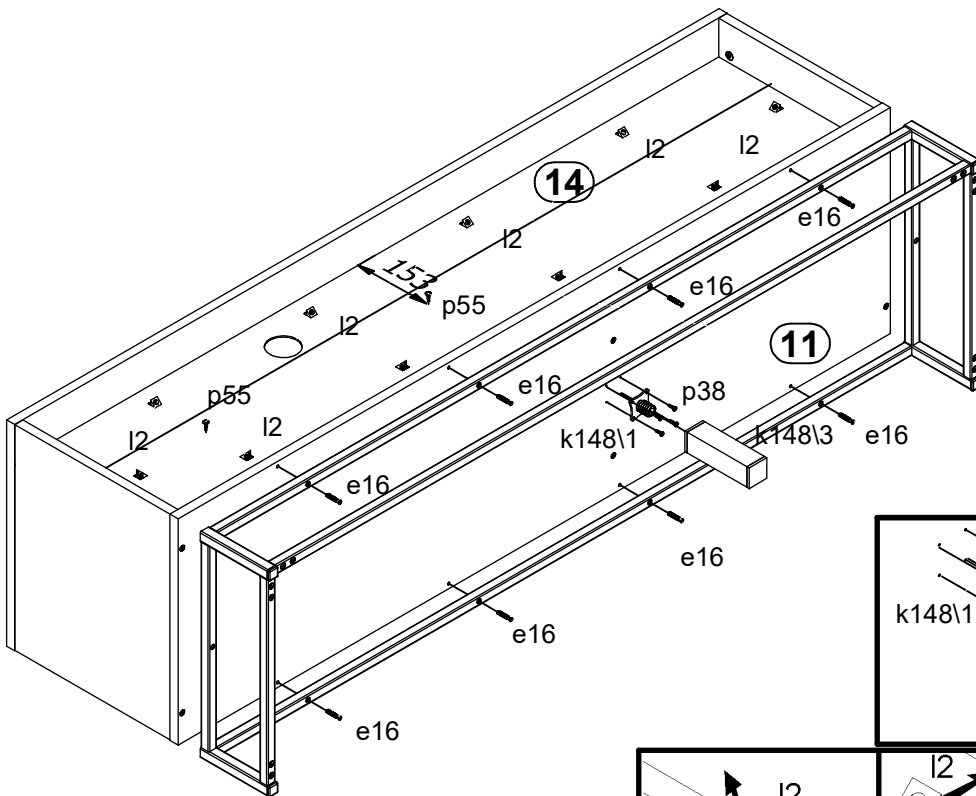
# 6



# 7



# 8



9

