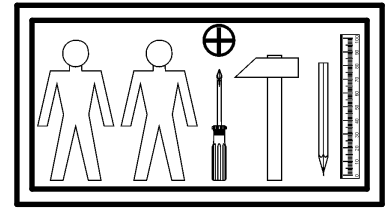
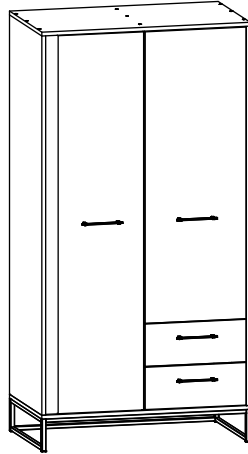


**A**

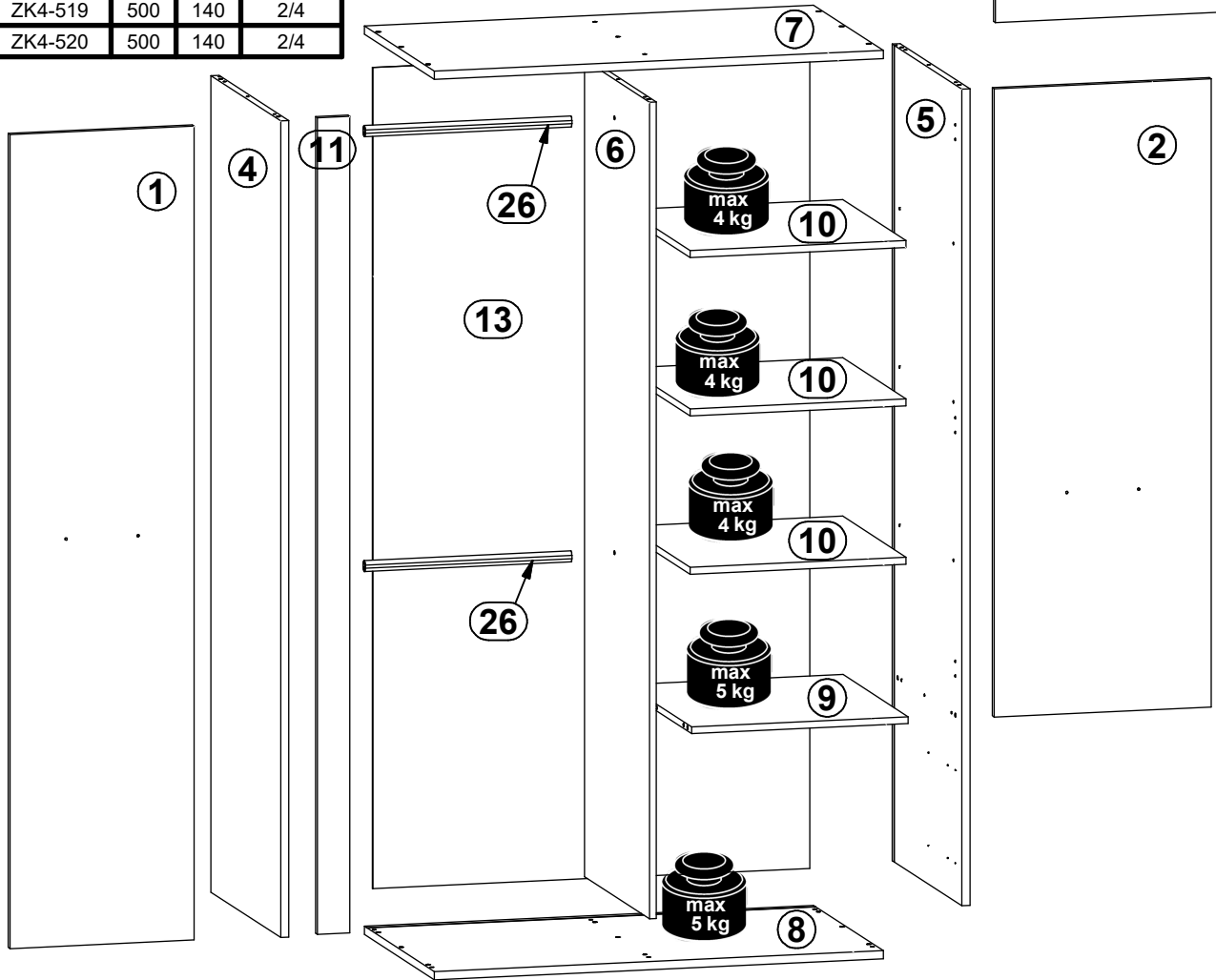
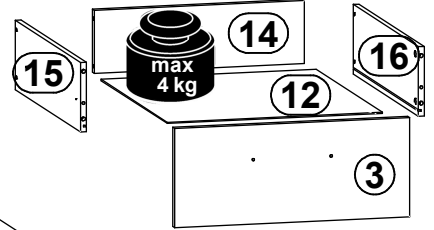
# LUTON

**S473-SZF2D2S**

A	B	C	D	
1	S473-0008	1778	410	3/4
2	S473-0009	1372	483	3/4
3	S473-0010	483	200	3/4
4	S473-1014	1784	579	1/4
5	S473-1015	1784	579	1/4
6	S473-1016	1784	542	1/4
7	S473-2007	1000	580	2/4
8	S473-2008	1000	580	2/4
9	S473-3005	482	541	2/4
10	S473-3006	481	526	2/4
11	S473-5005	1784	72	3/4
12	S473-9006	442	507	2/4
13	S473-9305	1794	973	1/4
14	ZK3-5143	432	127	2/4
15	ZK4-519	500	140	2/4
16	ZK4-520	500	140	2/4

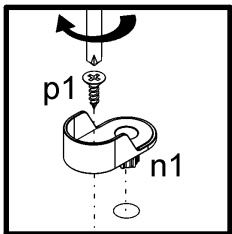
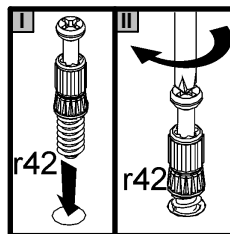
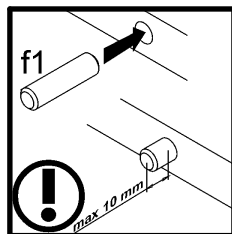
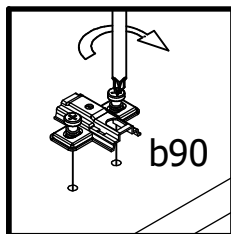
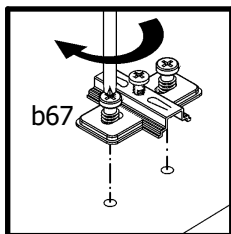
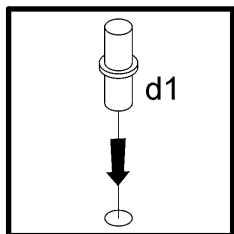
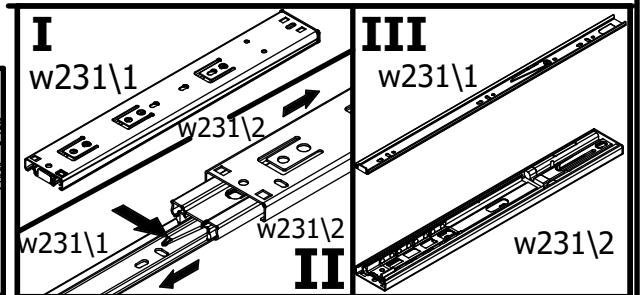
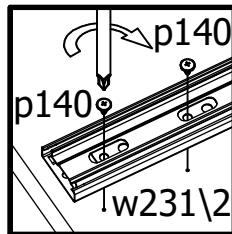
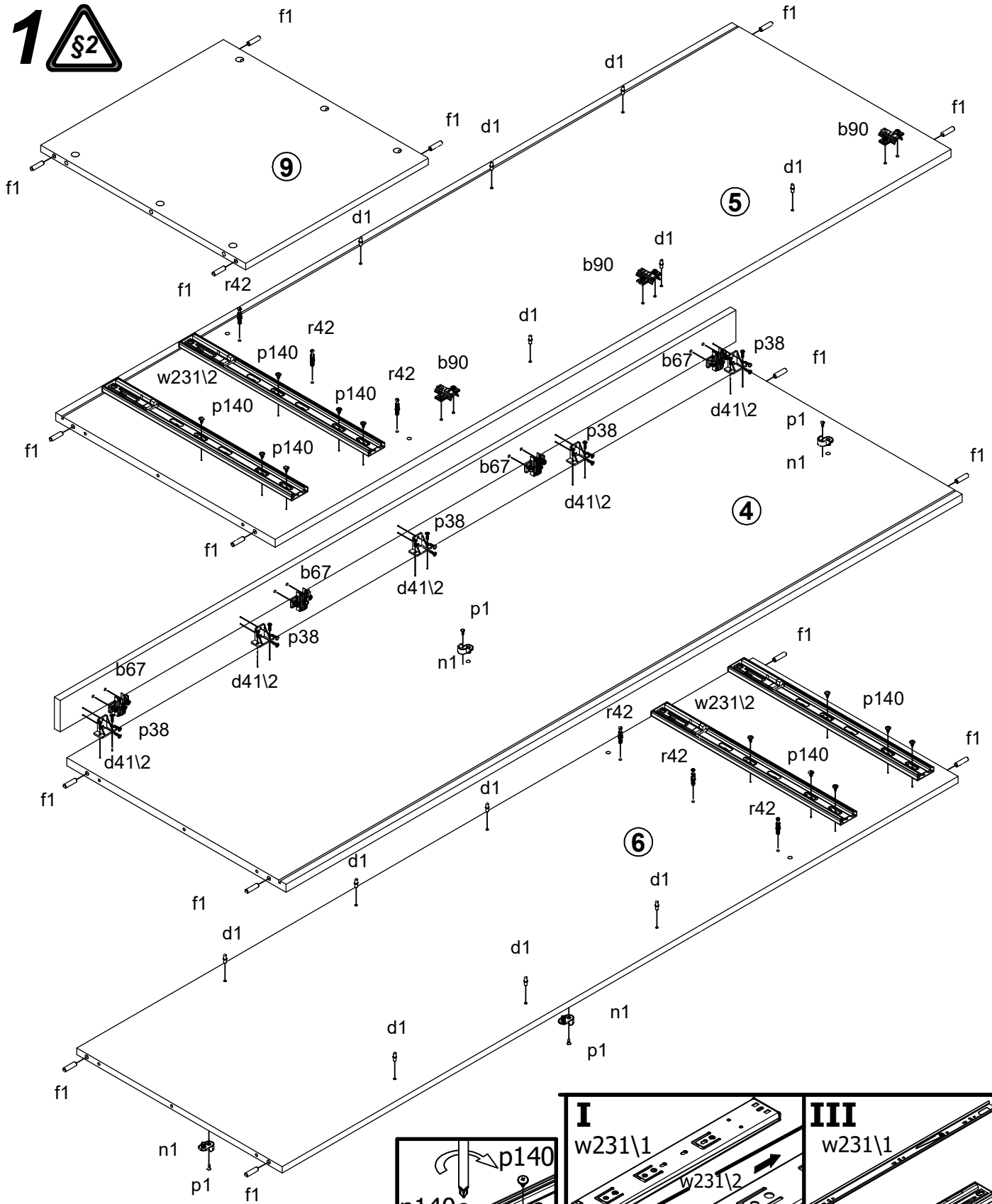


**2x**

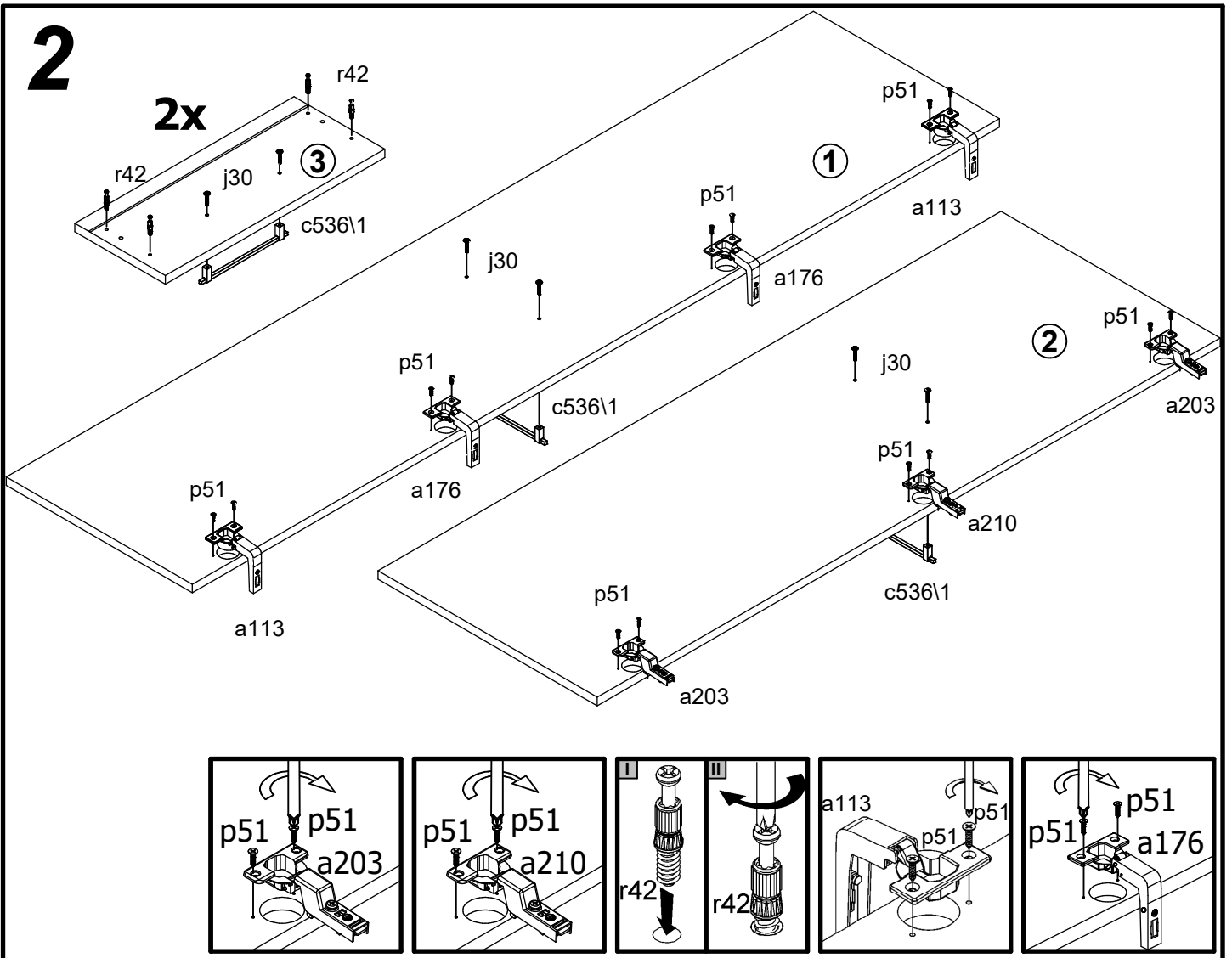


2x a113 Ø35; cichy domytek	2x a176	2x hamulec a203	1x a210	4x b67 H6	3x b90	4x c536v1	12x d1 Ø5x17 mm	5x d41\2
18x e1 Ø7x50 mm	6x e16 Ø6x30 mm	16x f1 Ø8x30 mm	8x f25 Ø6,5x40 mm	4x f9 Ø6x30 mm	28x j173 M5x12 mm	8x j30 M4x22 mm	1x k133\52L	1x k133\52P
2x k133\53	1x k133\58 L-90mm 18x18	2x k133\59 L-90mm 18x18	2x k133\60 L-540mm 18x18	2x k133\61 L-540mm 18x18	14x l2	4x n1 h=22mm	4x p1 Ø3,5x13 mm	24x p140 Ø3,5x12 mm
27x p38 Ø3,5x16 mm	14x p51 Ø3,5x15 mm	10x p55 Ø2,9x16 mm	6x r1 Ø15x12 mm #16	8x r15 Ø12x10,5 mm #12	14x r42 20/11	4x w231\1 L=500 mm	4x w231\2 L=500 mm	1x z1 4 mm
1x z22 3 mm	1x n26\1							

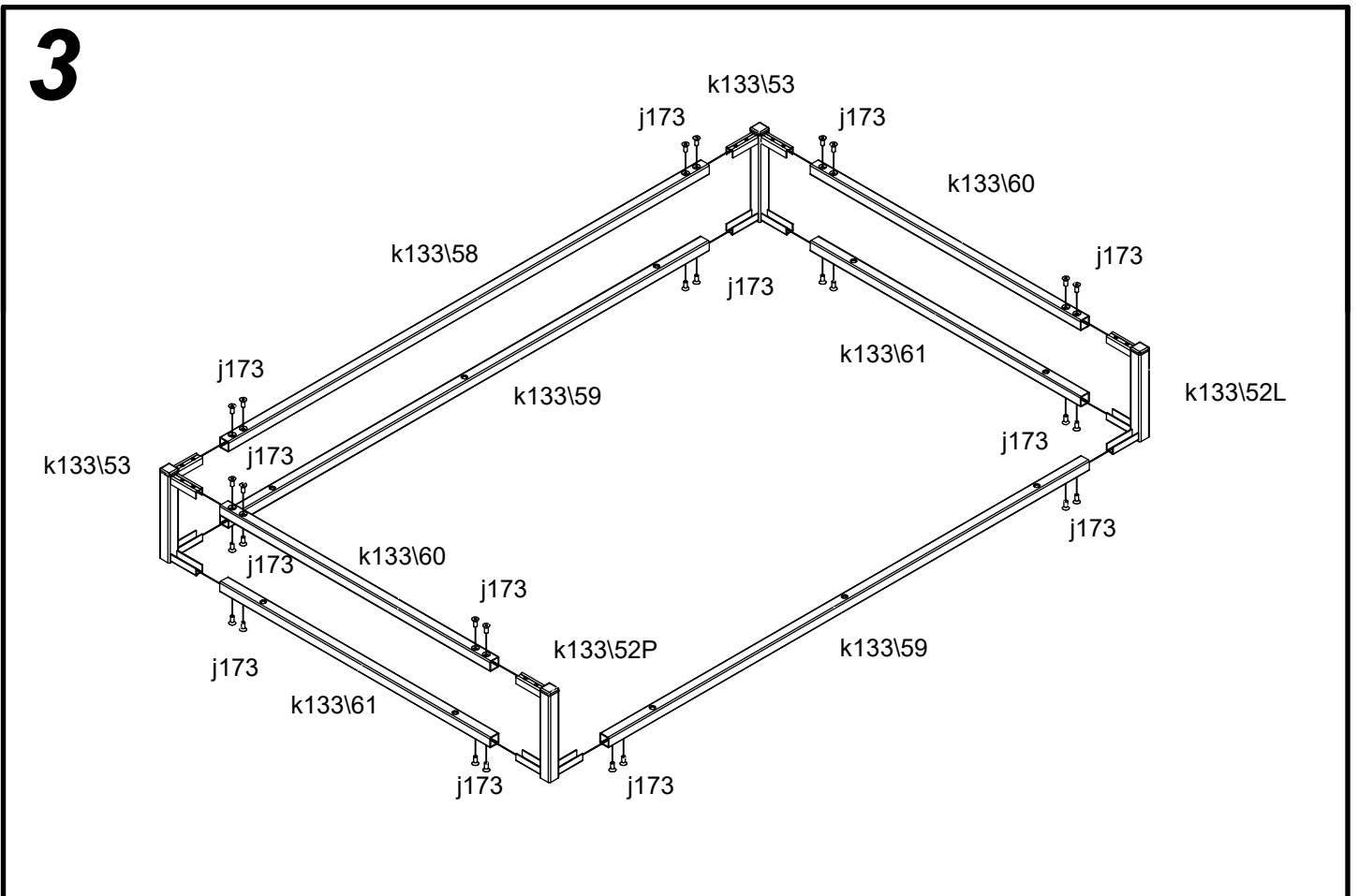
1 



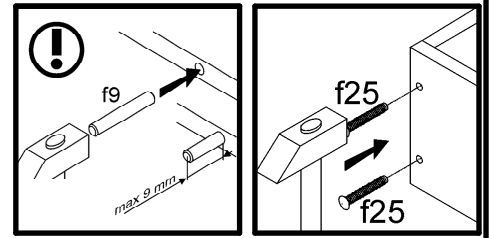
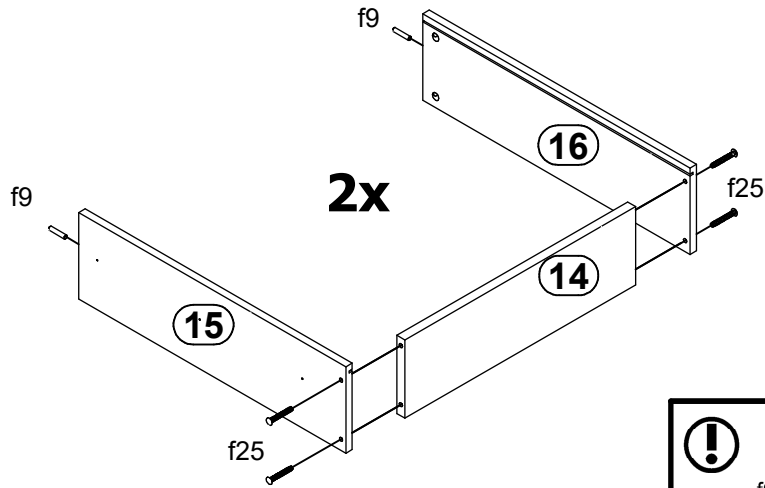
# 2



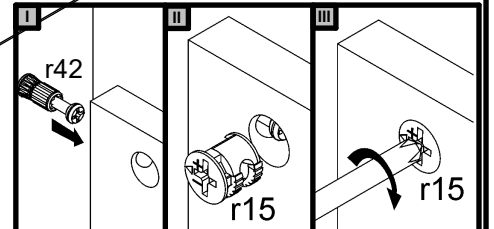
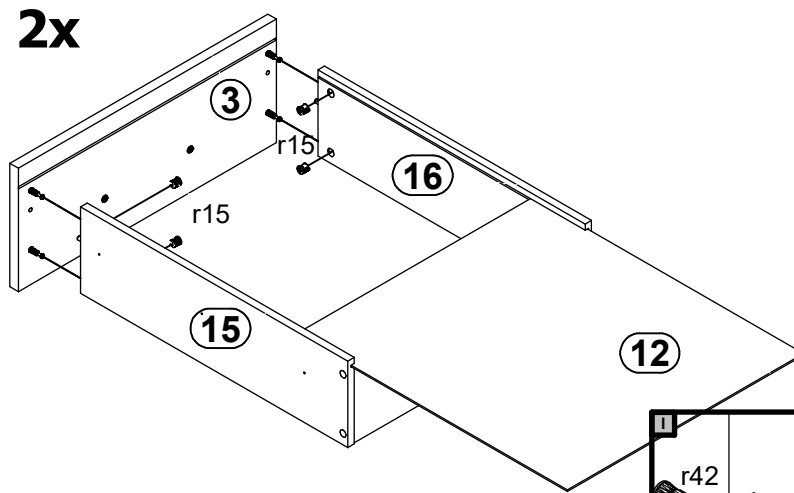
# 3



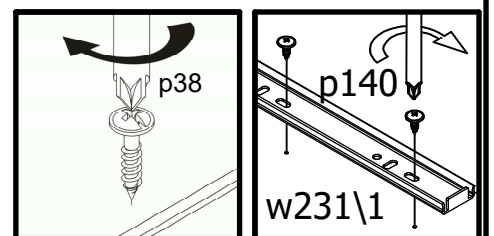
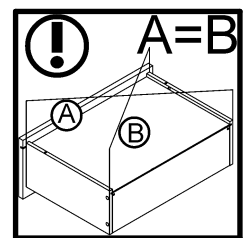
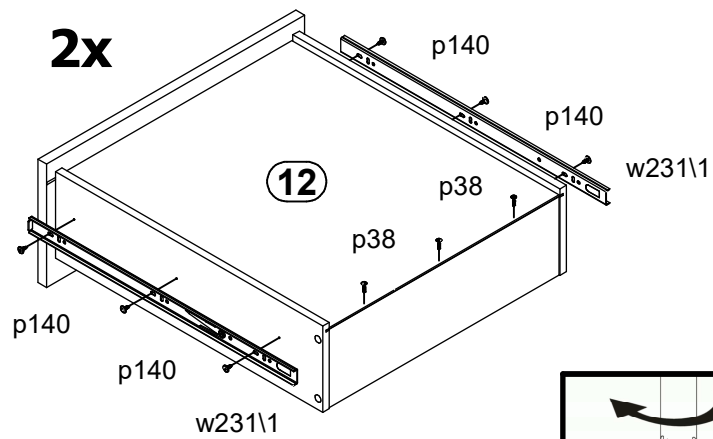
# 4



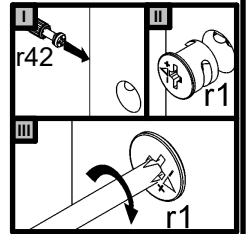
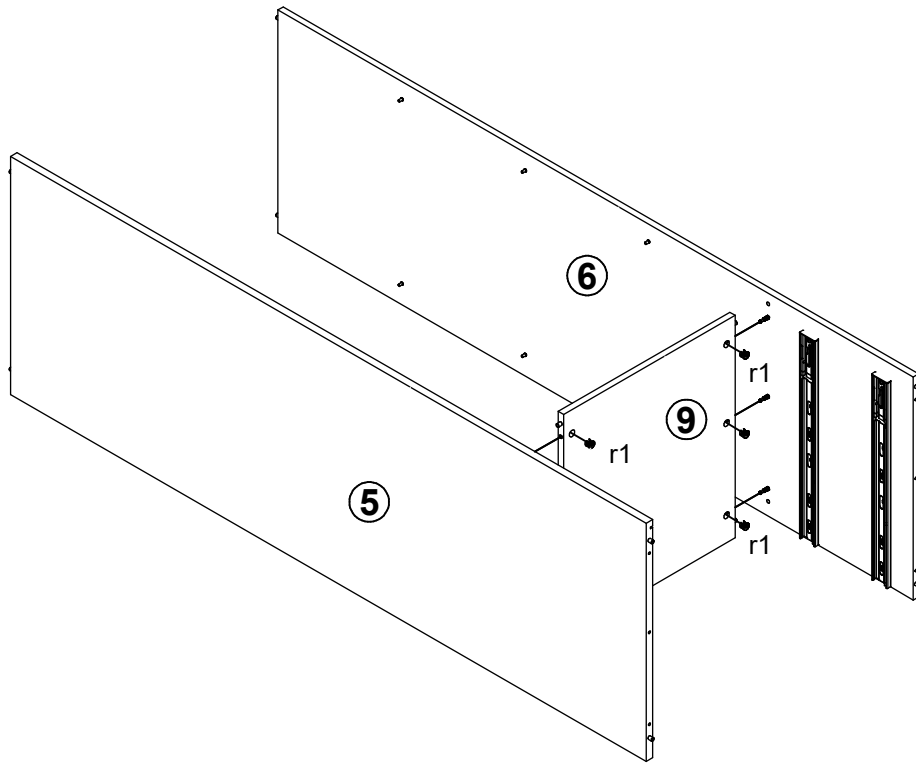
# 5



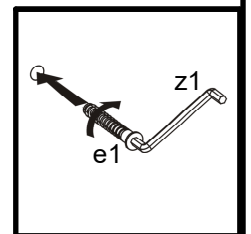
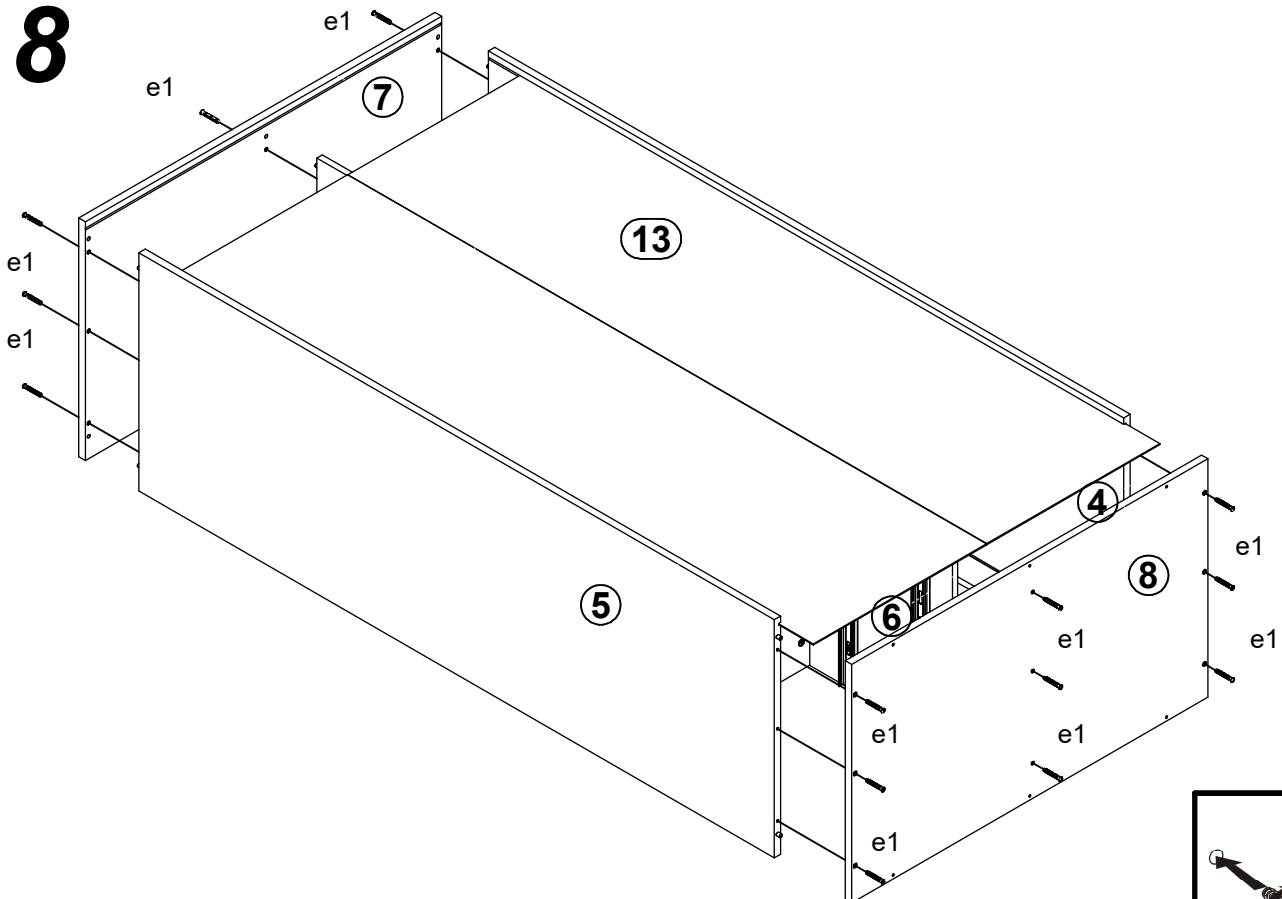
# 6



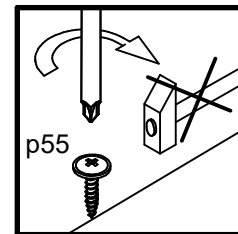
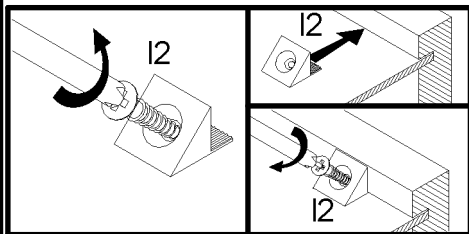
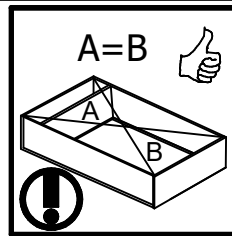
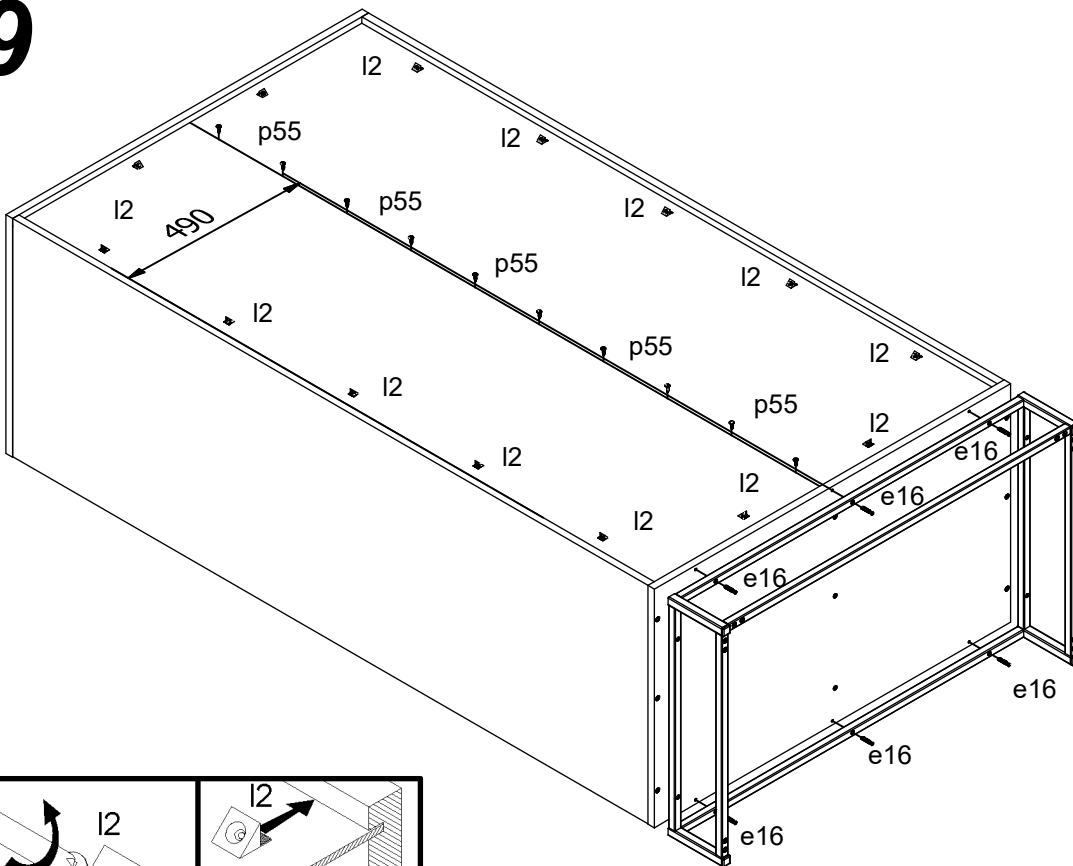
# 7



# 8



# 9



# 10

