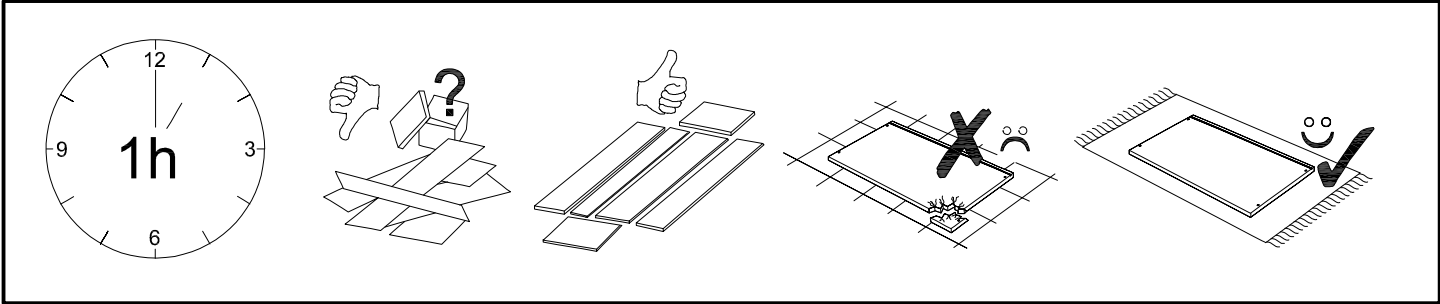


HAVANA CONCRETE 90-120



#	S	B	S	Q
1	470	1205	22	1

