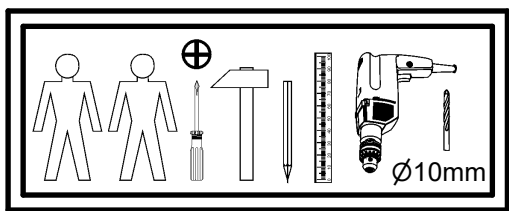
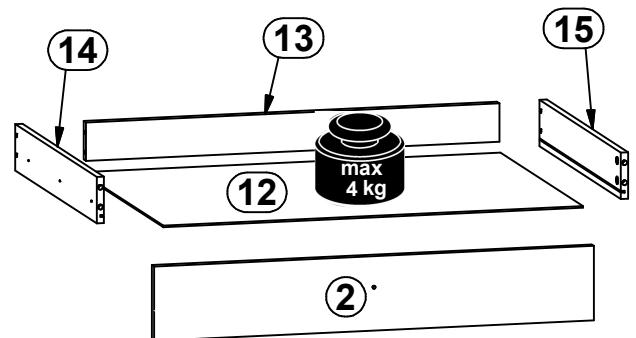
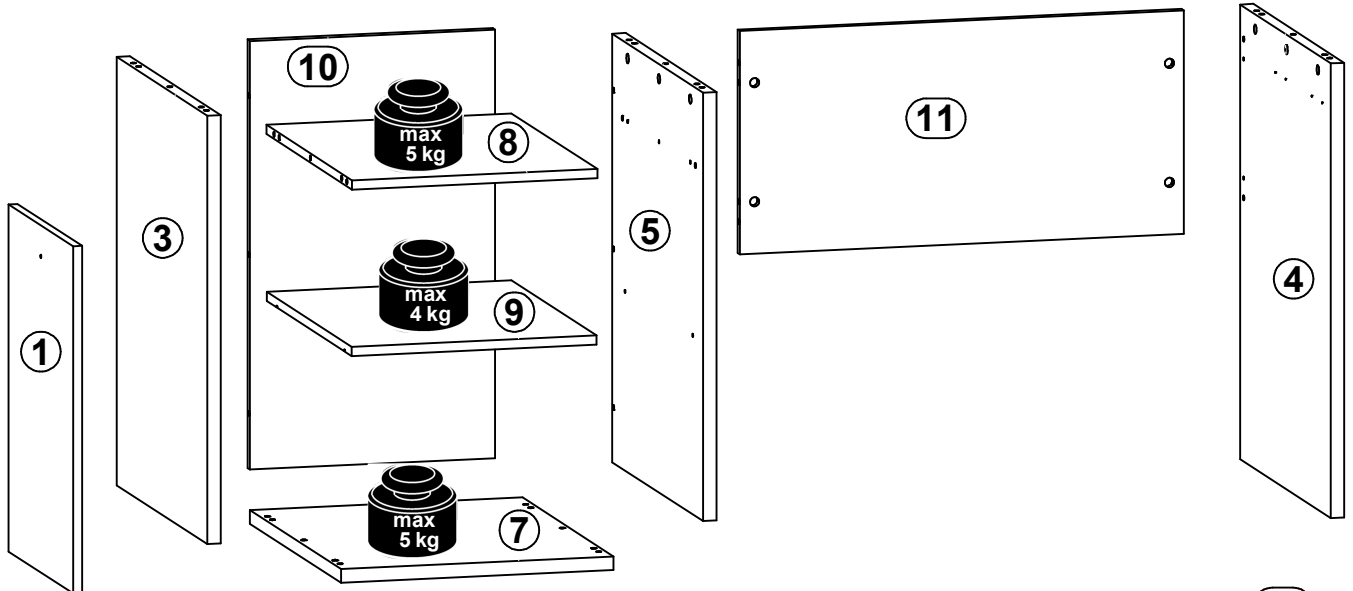
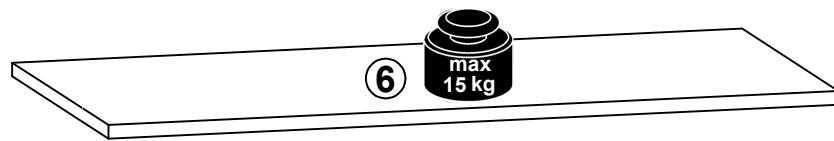
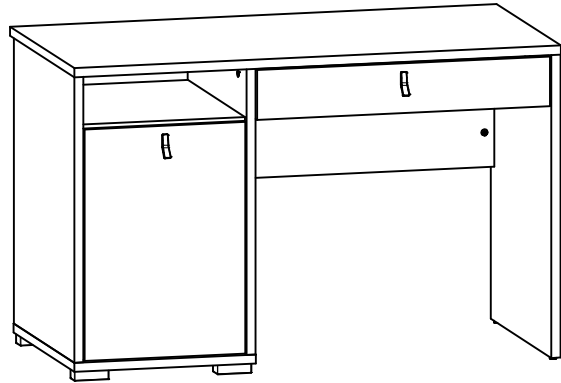
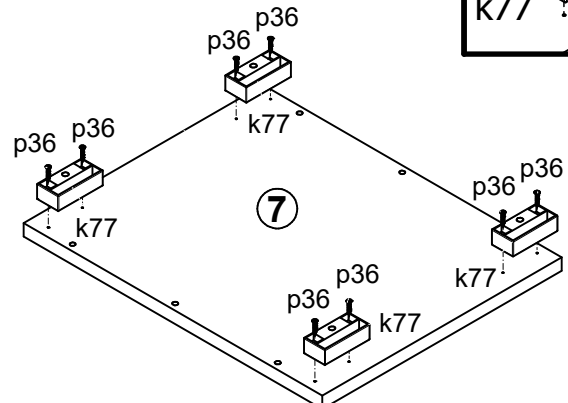
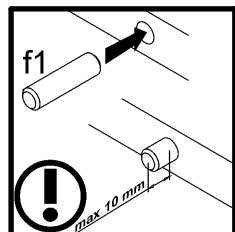
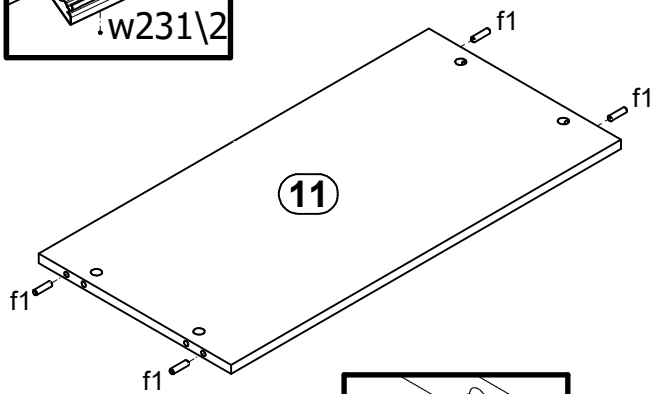
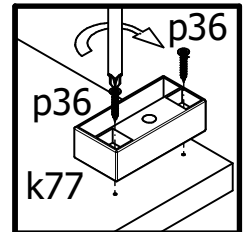
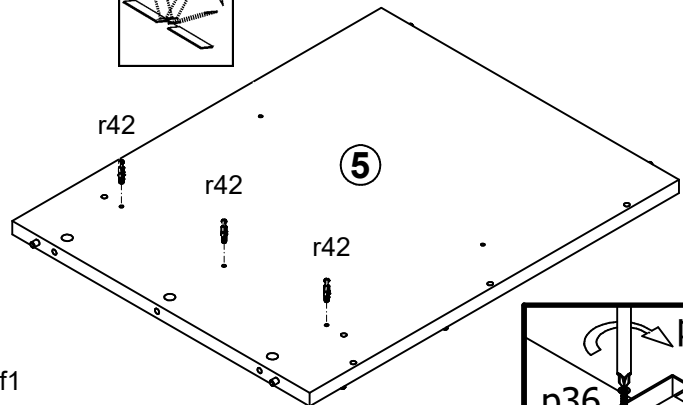
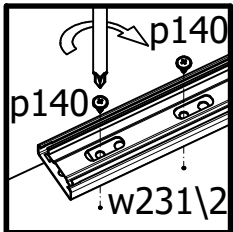
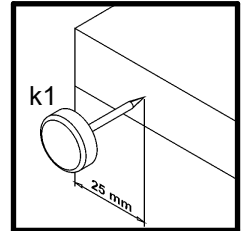
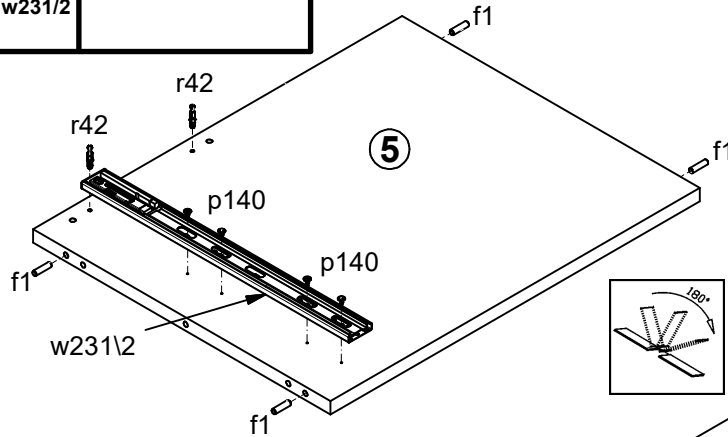
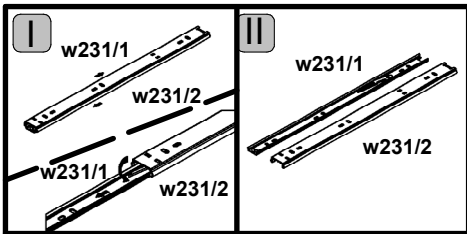
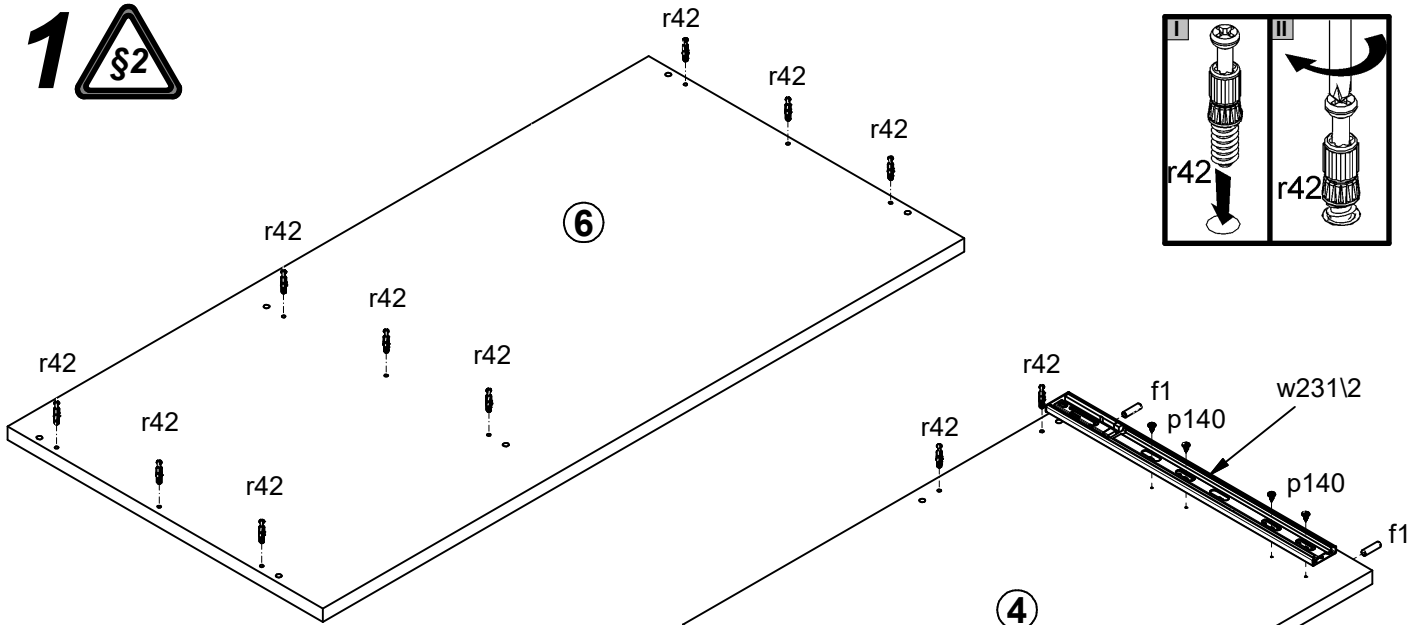


| A | B | C | D |
|----|-----------|------|----------|
| 1 | S462-0017 | 560 | 396, 2/2 |
| 2 | S462-0018 | 723 | 120 1/2 |
| 3 | S462-1023 | 691 | 557 2/2 |
| 4 | S462-1024 | 733 | 557 2/2 |
| 5 | S462-1025 | 691 | 557 2/2 |
| 6 | S462-2011 | 1200 | 590 1/2 |
| 7 | S462-2012 | 448 | 559 1/2 |
| 8 | S462-3014 | 403 | 526 2/2 |
| 9 | S462-3015 | 402 | 522 2/2 |
| 10 | S462-4001 | 691 | 403 1/2 |
| 11 | S462-4002 | 730 | 360 2/2 |
| 12 | S462-9012 | 690 | 507 1/2 |
| 13 | S462-5008 | 680 | 62 1/2 |
| 14 | ZK4-539 | 500 | 75 2/2 |
| 15 | ZK4-540 | 500 | 75 2/2 |

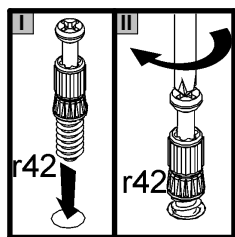
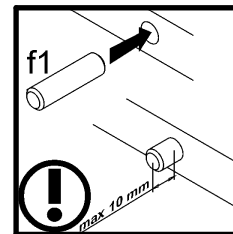
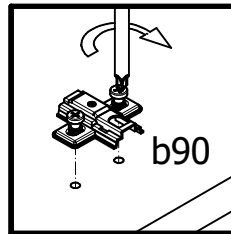
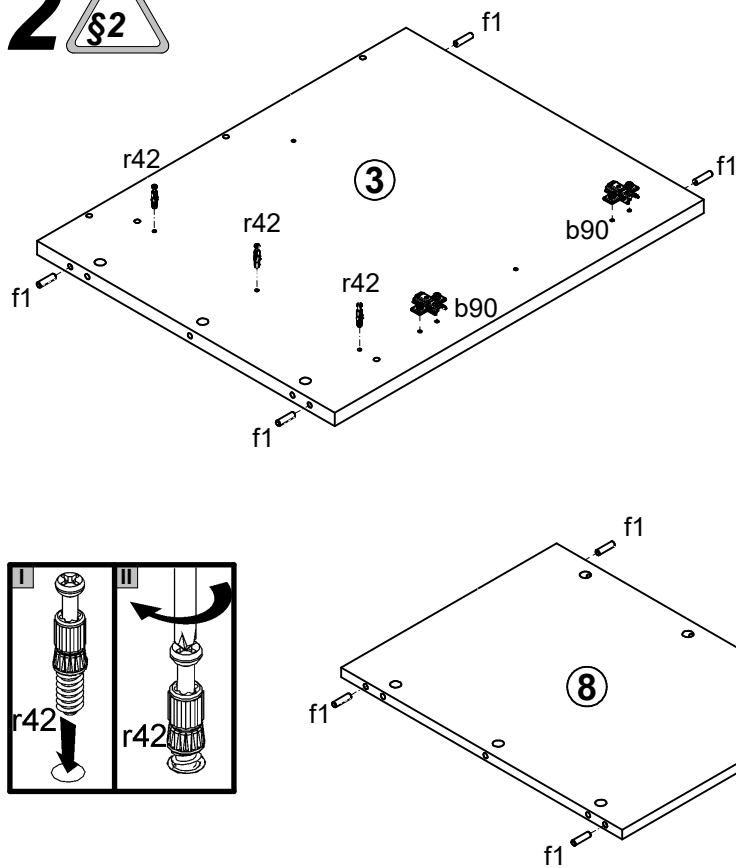


| | | | | | | | | |
|------------------------------|--------------------------|-------------------------|--------------------------|--------------------------|-------------------------|-------------------------|---------------------------|----------------------------|
| 1x a203 | 1x a210 | 2x b90 | 2x c512 | 4x Ø5x17 mm d1 | 6x Ø7x50 mm e1 | 4x Ø6x45 mm e38 | 24x Ø8x30 mm f1 | 2x M4x20 mm j1 |
| 2x k1 | 4x 84x40/25 mm k77 | 1x Ø3,5x16 mm p25 | 1x Ø3,5x10 mm p35 | 8x Ø4x25 mm p36 | 4x Ø3,5x16 mm p38 | 4x Ø3,5x15 mm p51 | 12x Ø3,5x12 mm p140 | 19x Ø15x12 mm #16 r1 |
| 4x Ø12x10,5 mm #12 r15 | 23x 20/11 r42 | 1x 500 mm t34 | 1x L=500 mm w231/1 | 1x L=500 mm w231/2 | 10x Ø 20mm s68 | 1x 4 mm z1 | | |

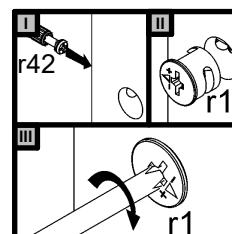
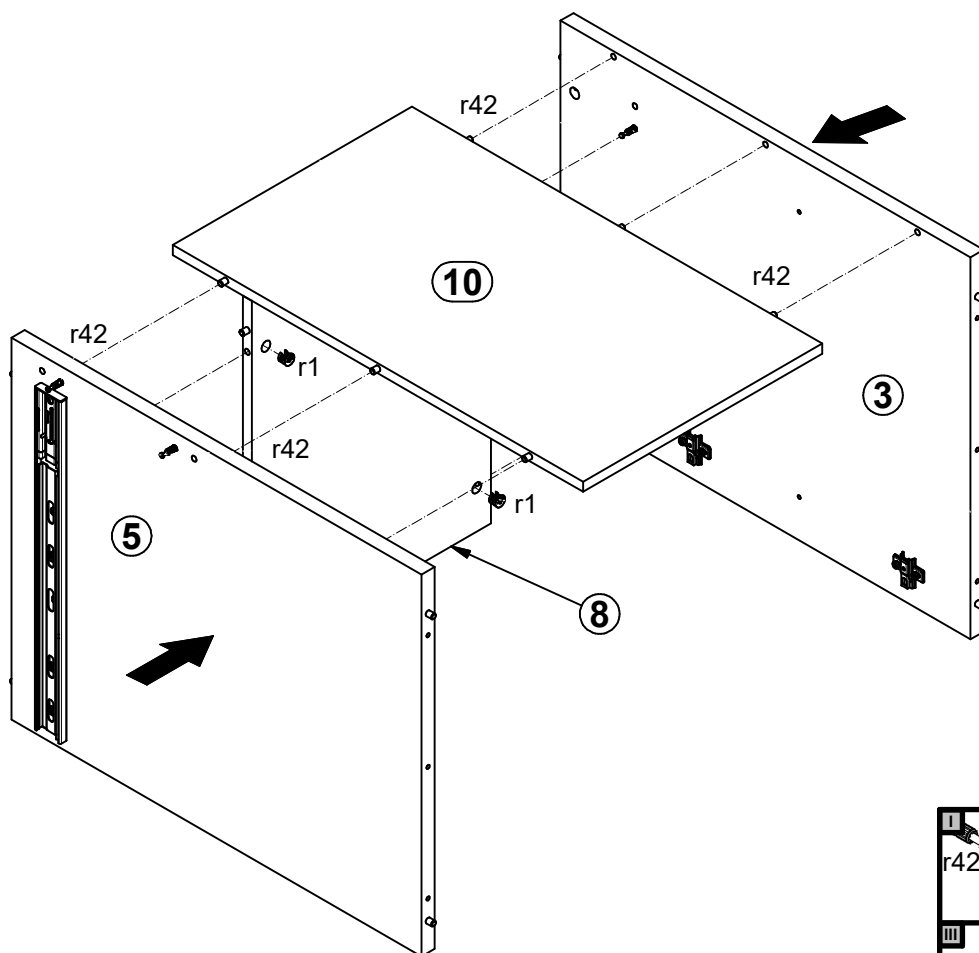
1 



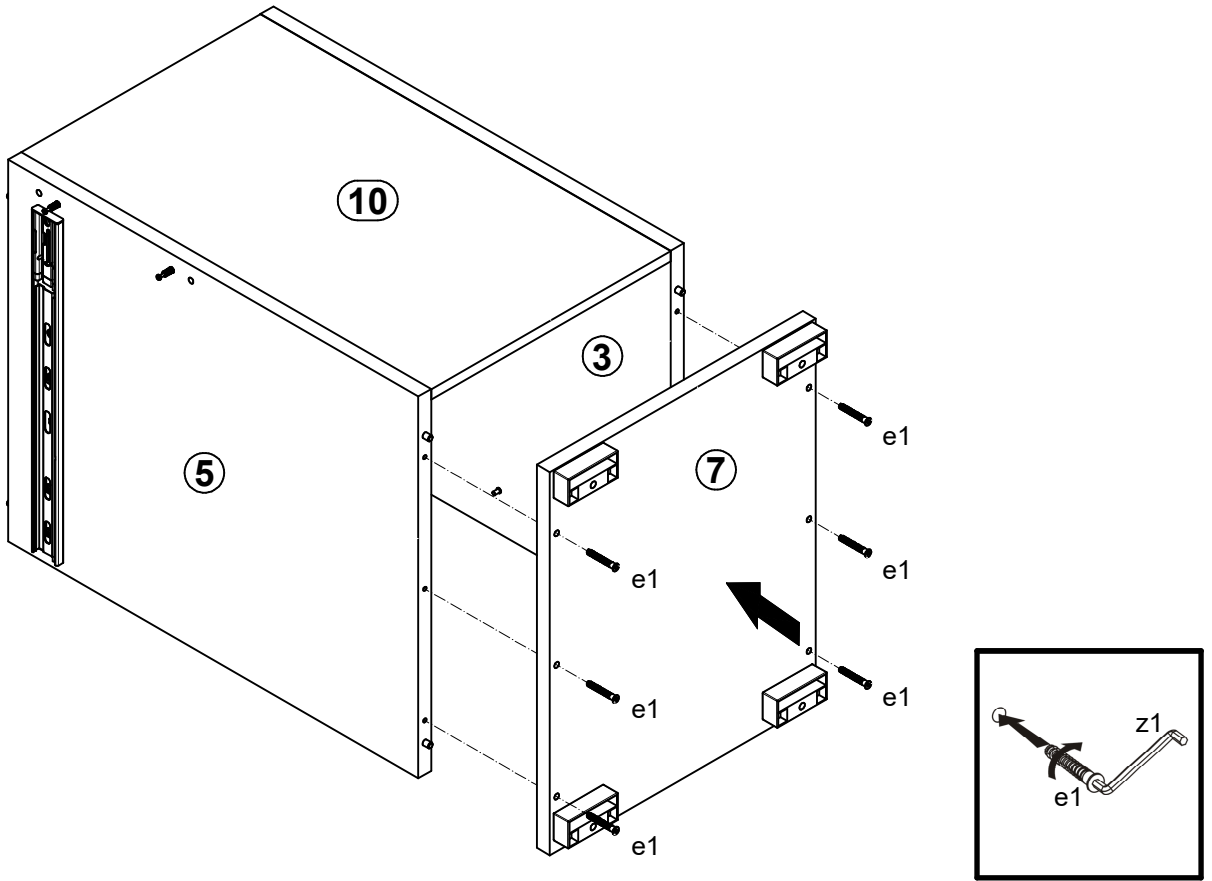
2



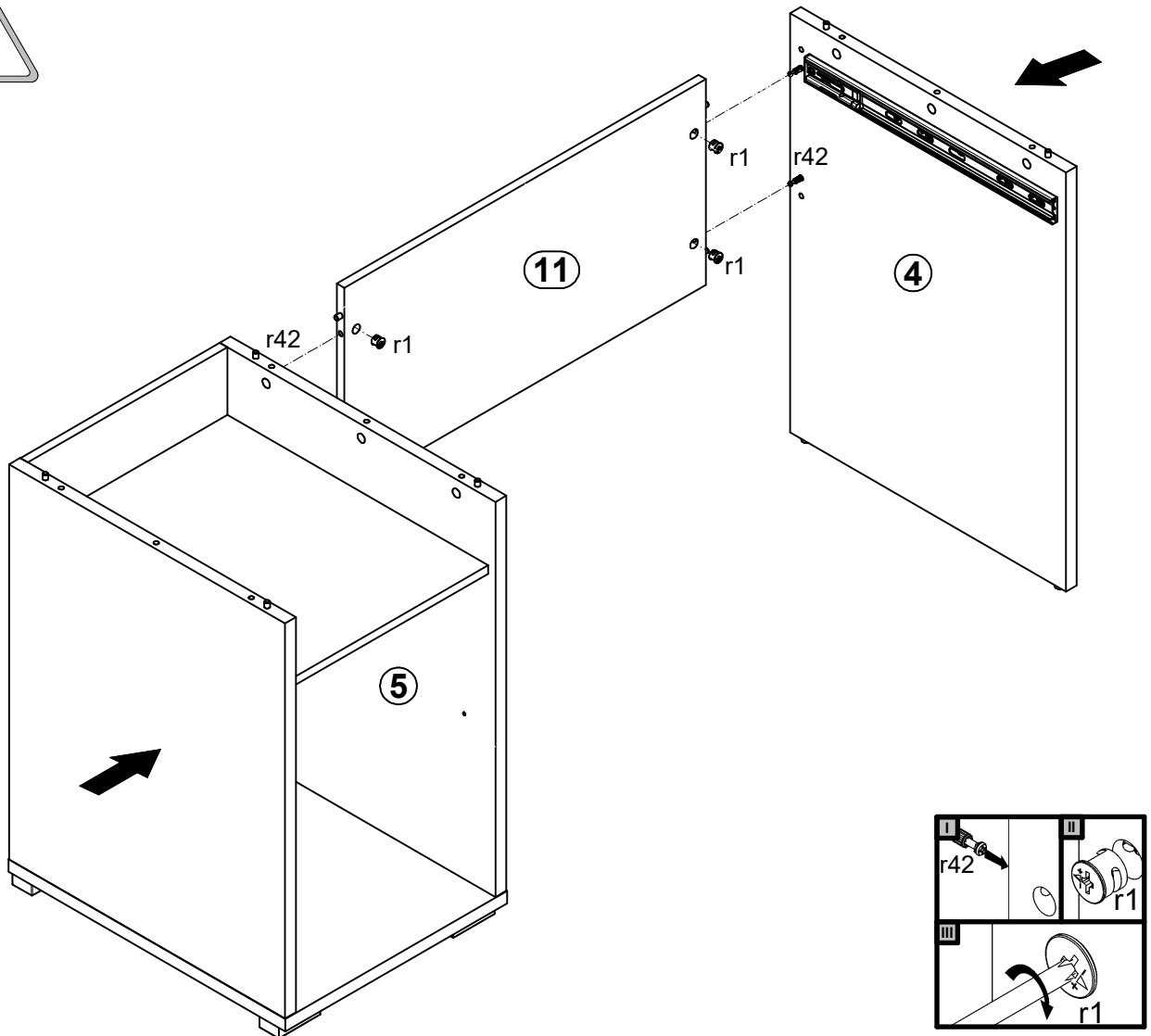
3



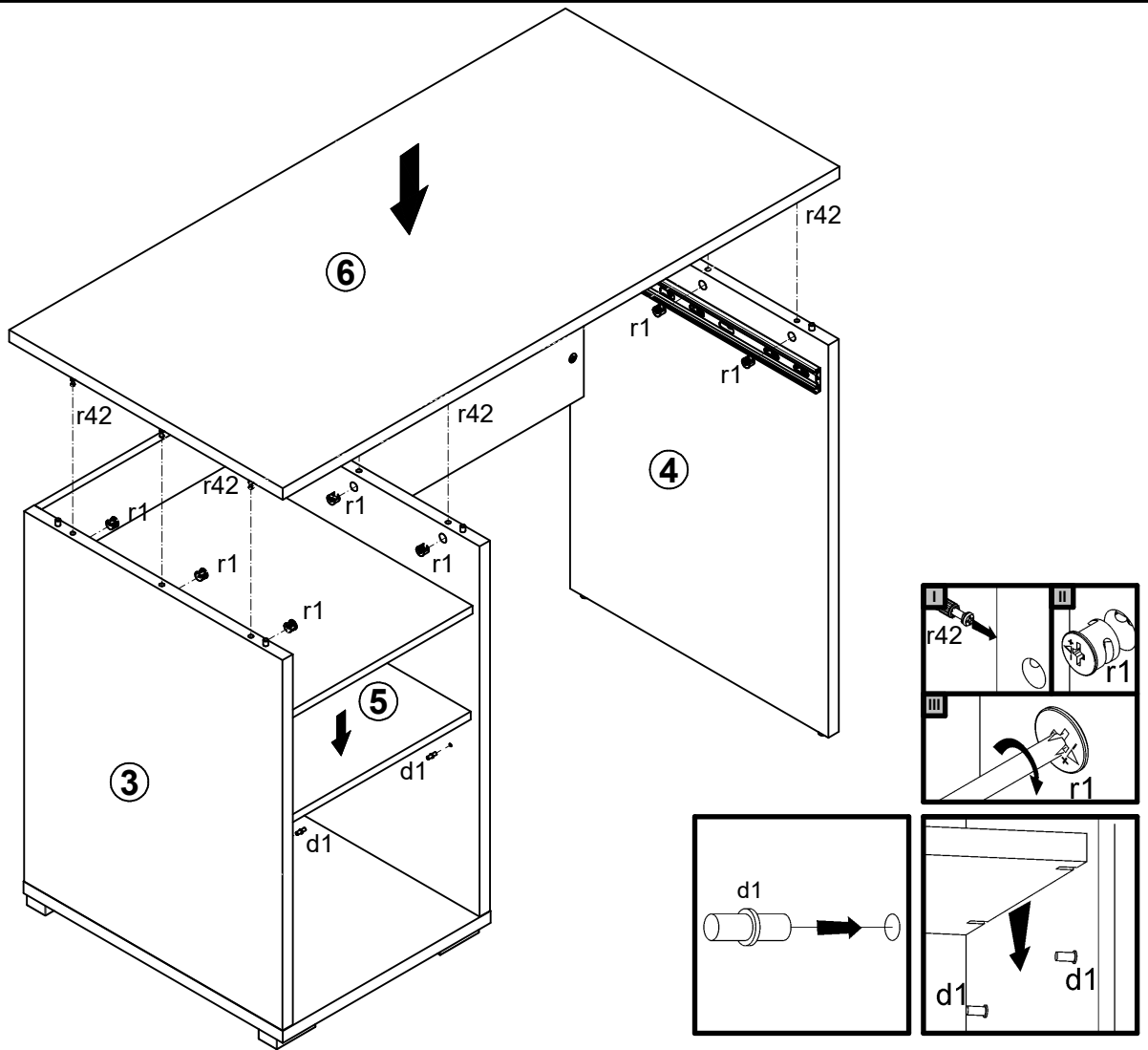
4 §6



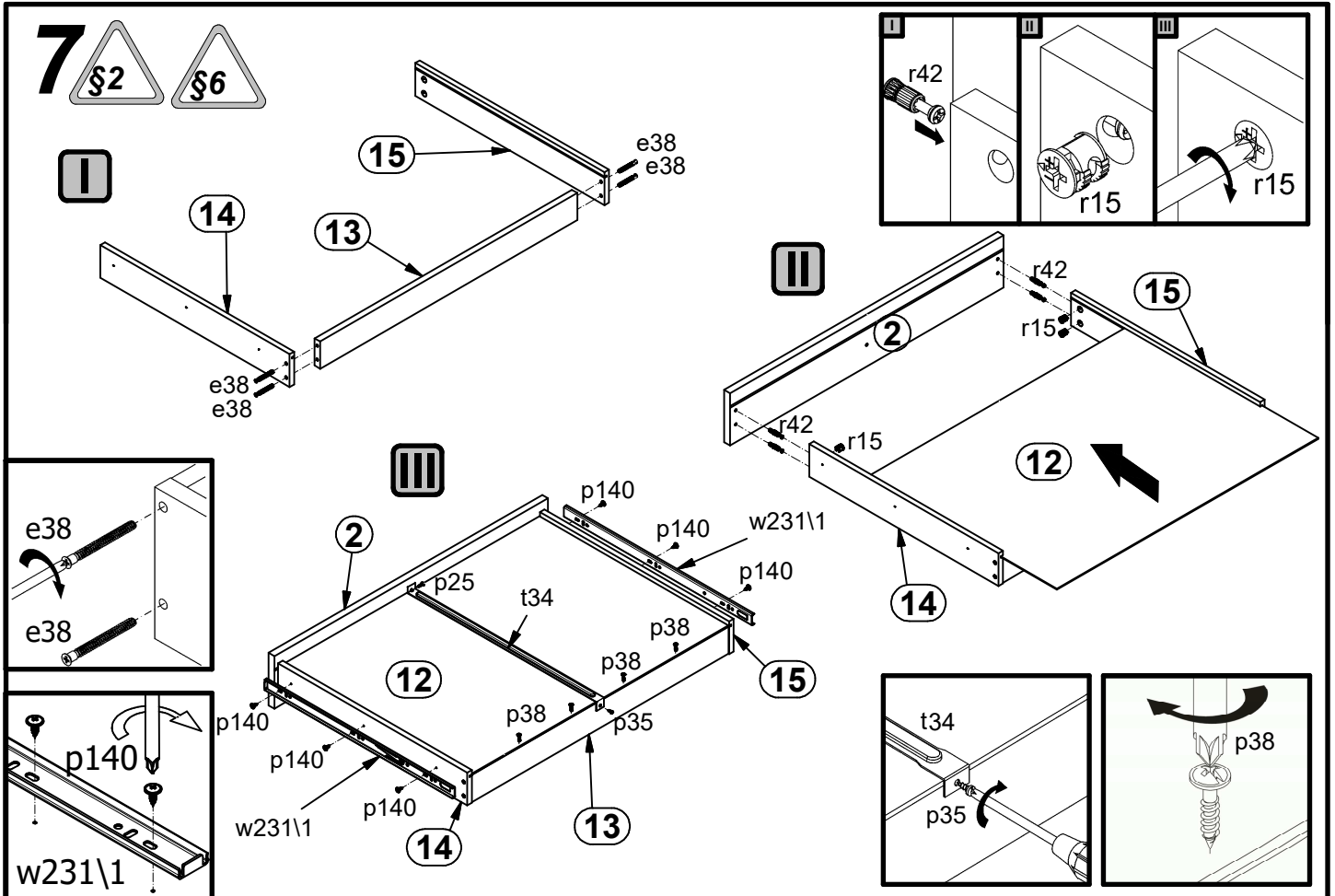
5 §6



6



7



8

