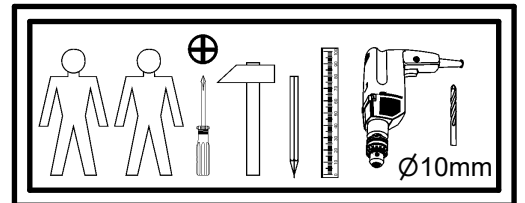
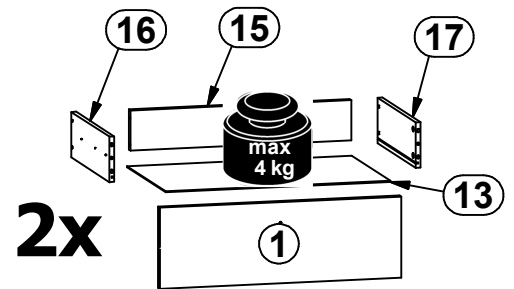
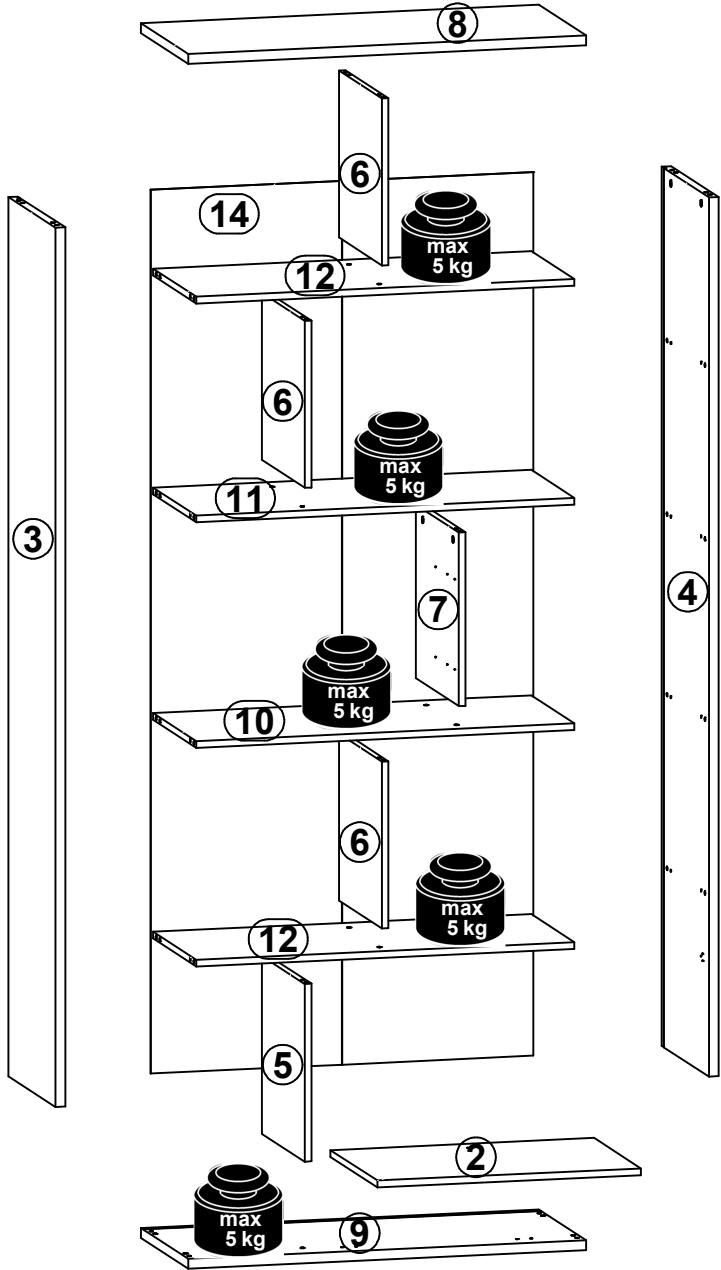
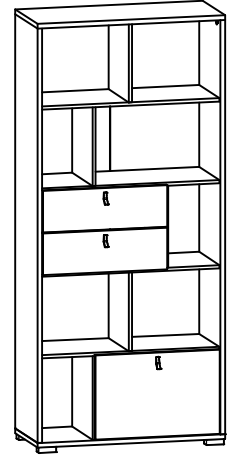
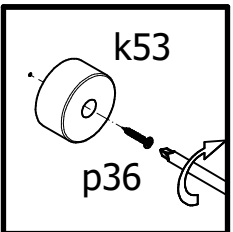
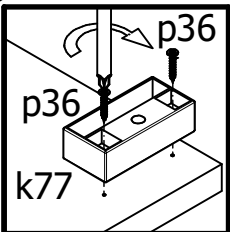
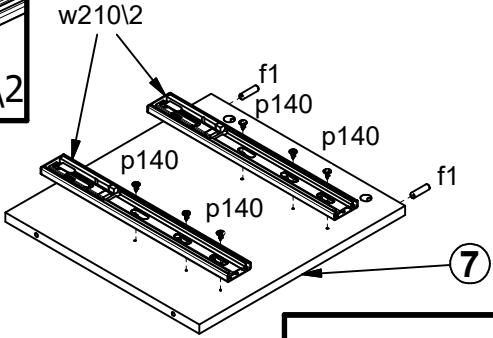
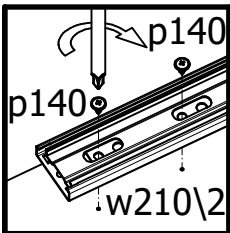
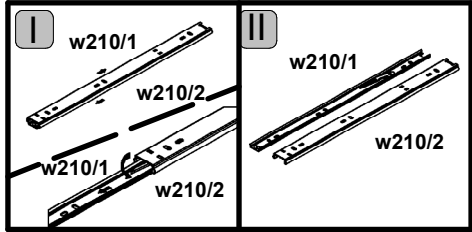
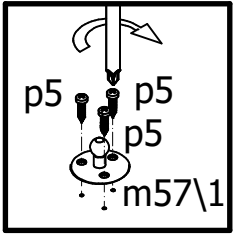
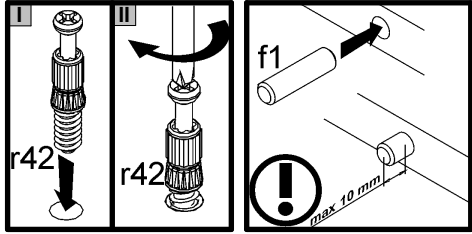
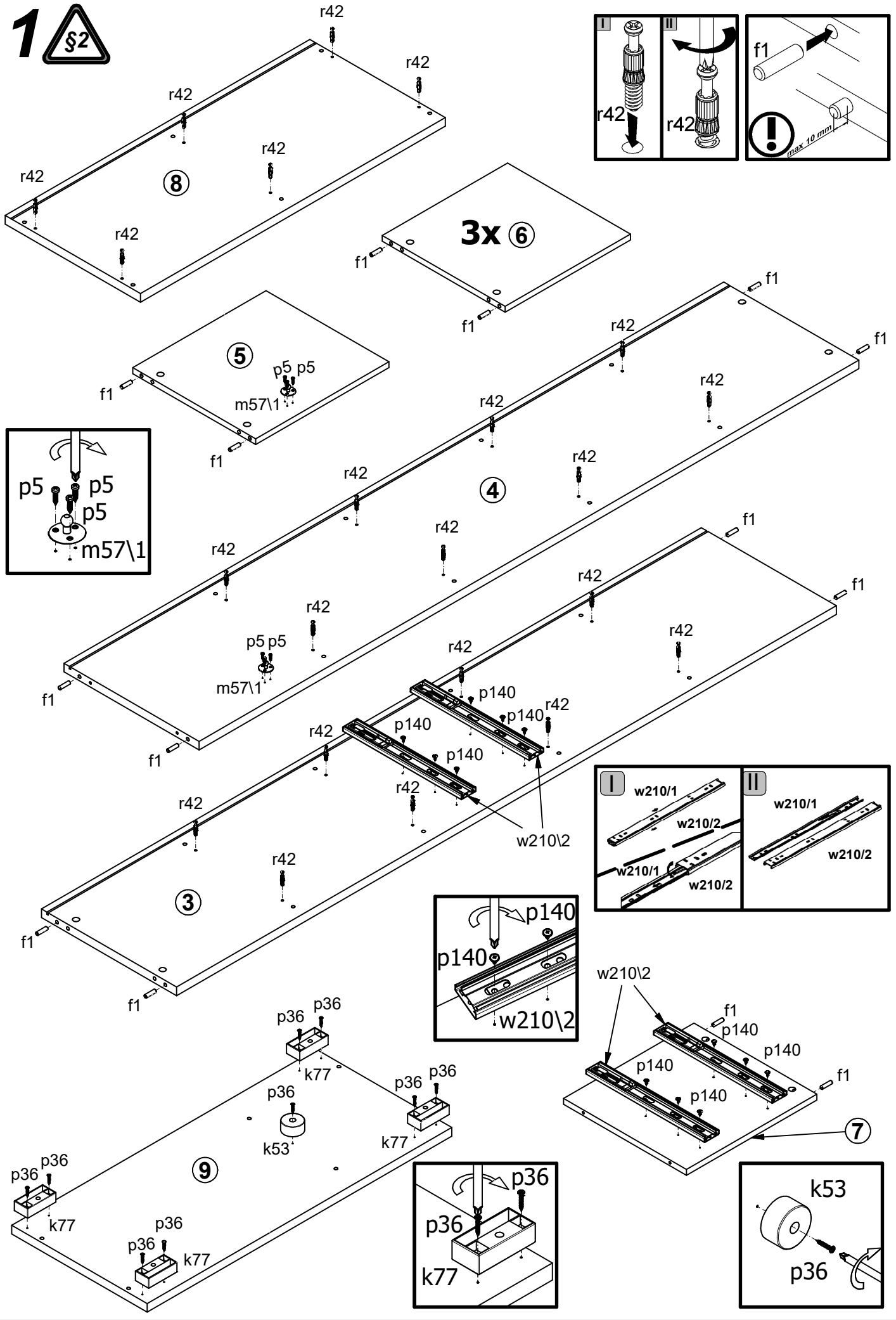


A	B	C	D	A	B	C	D		
1	S462-0015	596	196	2/2	10	S462-3011	855	364	2/2
2	S462-0016	596	396	2/2	11	S462-3012	855	364	2/2
3	S462-1018	1949	399	1/2	12	S462-3013	855	364	2/2
4	S462-1019	1949	399	1/2	13	S462-9011	554	357	2/2
5	S462-1020	394	363	1/2	14	S462-9303	1959	865	1/2
6	S462-1021	370	363	1/2	15	ZK3-5094	544	97	2/2
7	S462-1022	385	363	1/2	16	ZK4-523	350	110	2/2
8	S462-2009	900	400	2/2	17	ZK4-524	350	110	2/2
9	S462-2010	900	400	2/2					



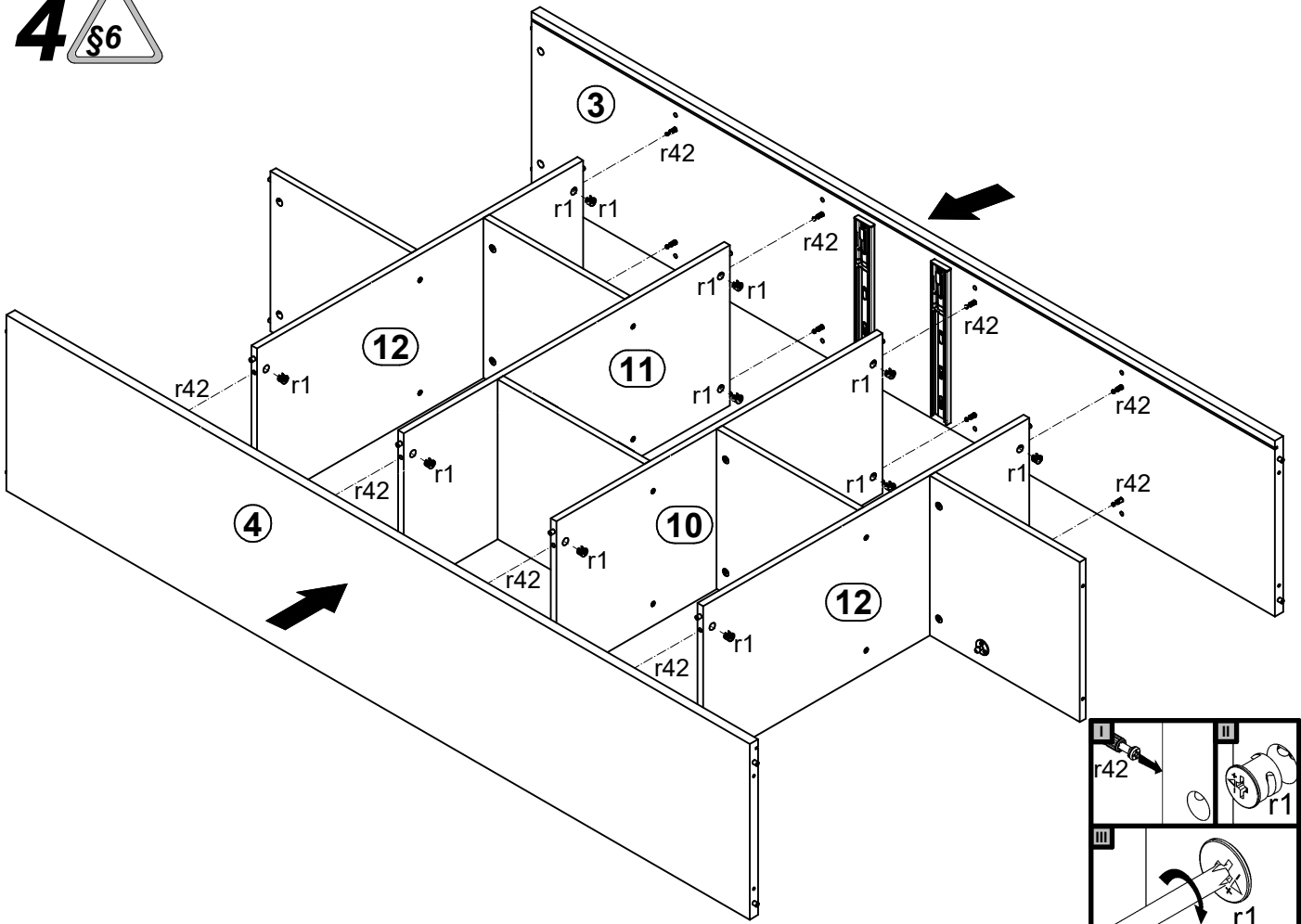
2x a210	2x b90	3x c512	14x e1 Ø7x50 mm	34x f1 Ø8x30 mm	4x f9 Ø6x30 mm	8x f25 Ø6.5x40 mm	3x j1 M4x20 mm	1x k53 Ø50x25 mm
4x k77 84x40/25 mm	14x l2	2x m56/1 80N	2x m57/1	2x m57/3	10x p5 ø3.5x13 mm	2x p25 Ø3.5x16 mm	2x p35 Ø3.5x10 mm	9x p36 Ø4x25 mm
8x p38 Ø3.5x16 mm	4x p51 Ø3.5x15 mm	16x p55 Ø2.9x16 mm	24x p140 Ø3.5x12 mm	30x r1 Ø15x12 mm #16	8x r15 Ø12x10.5 mm #12	38x r42 20/11	2x t35 350 mm	4x w210/1
4x w210/2 L-350 mm	18x s68 Ø 20mm	1x z1 4 mm					1x n26	1x p38 Ø3.5x16 mm

1 §2

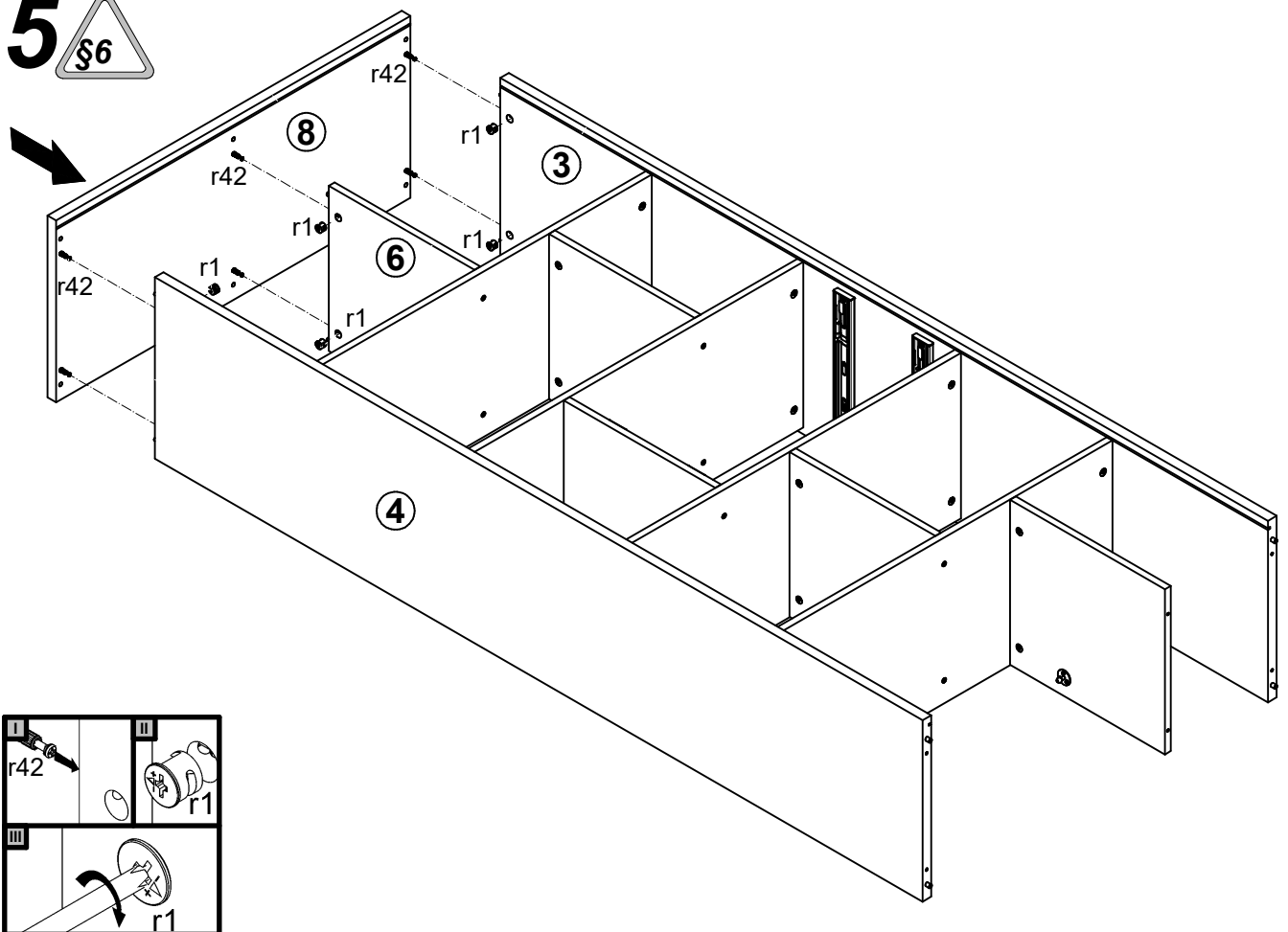




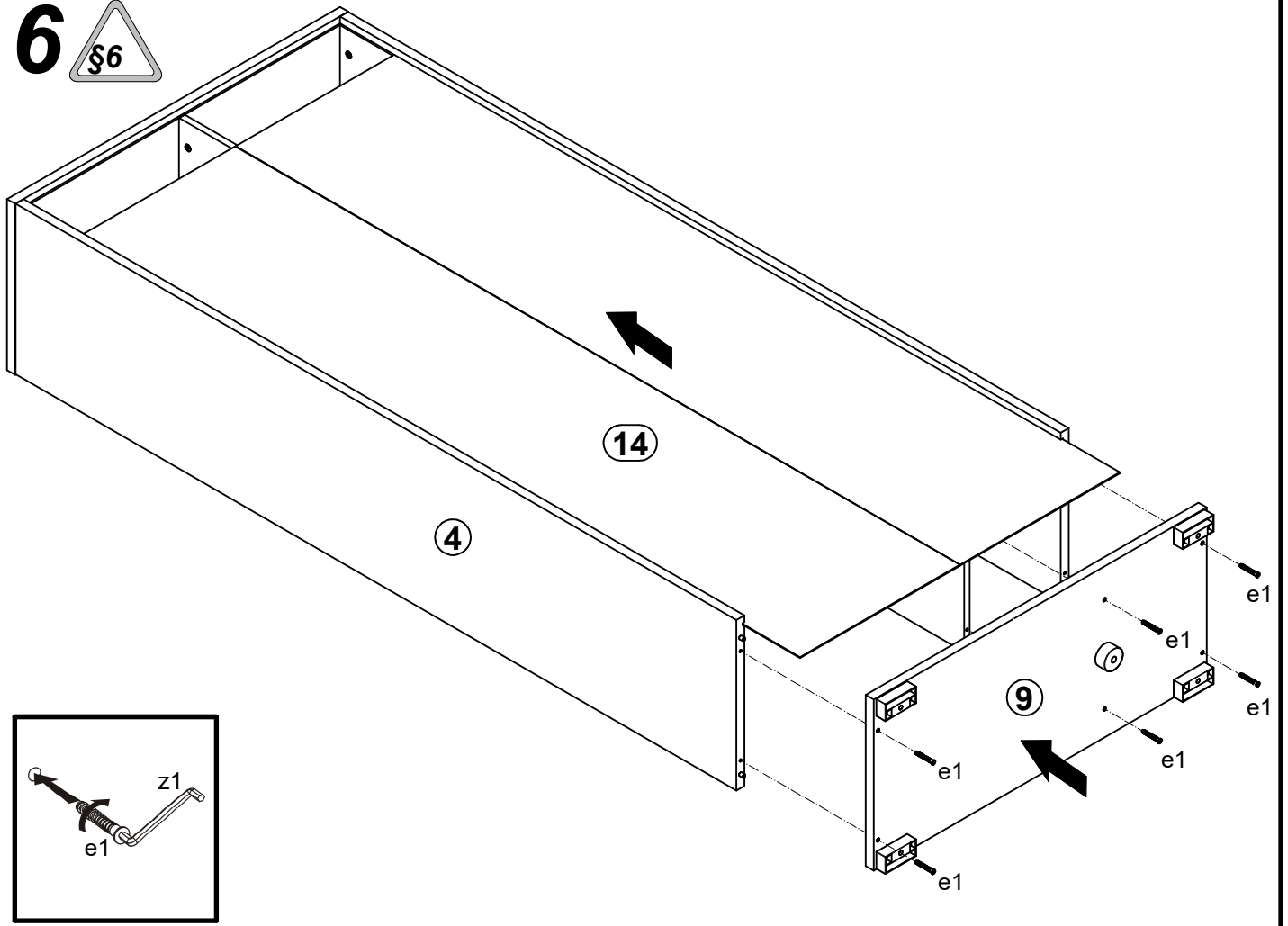
4 §6



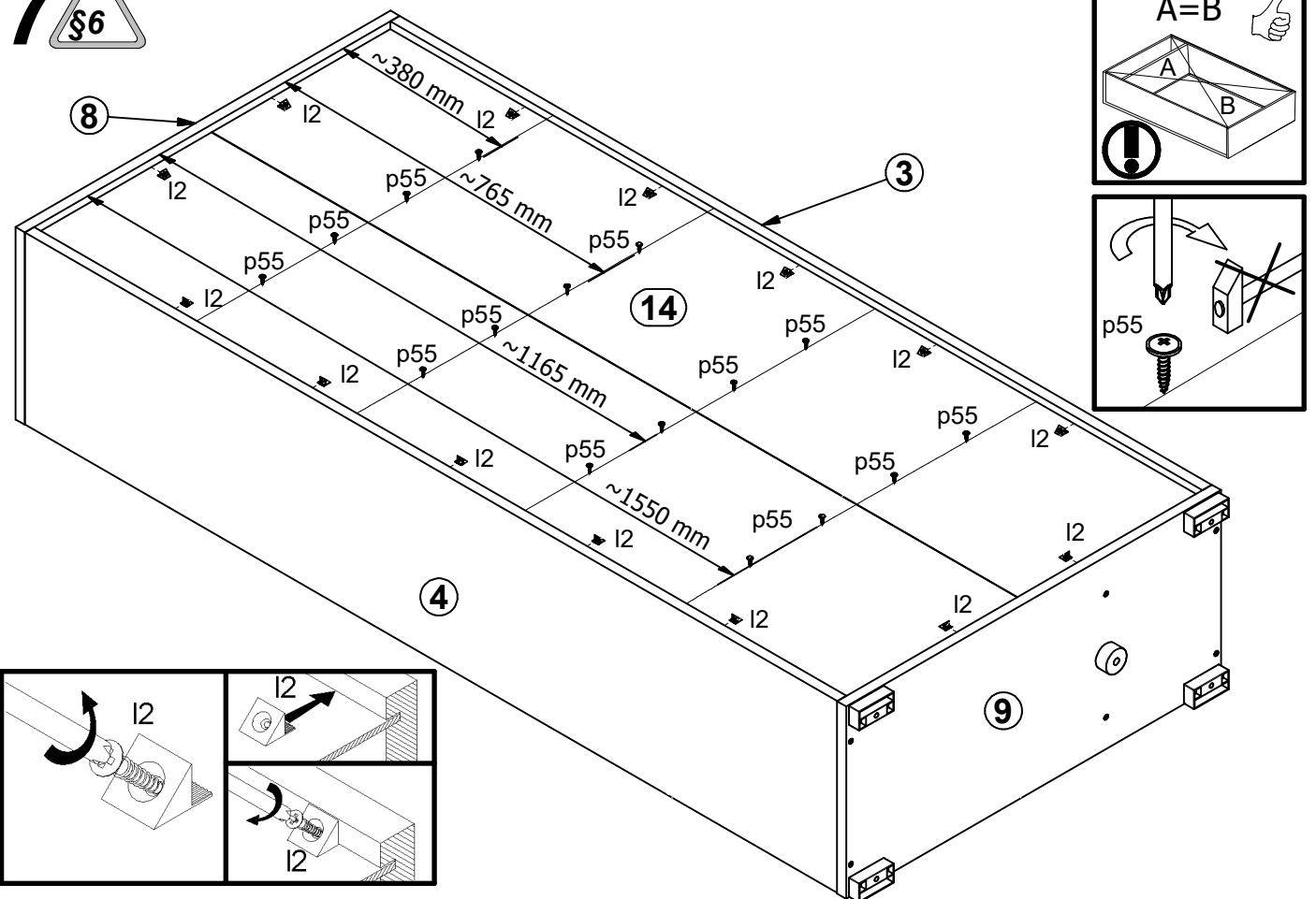
5 §6



# 6

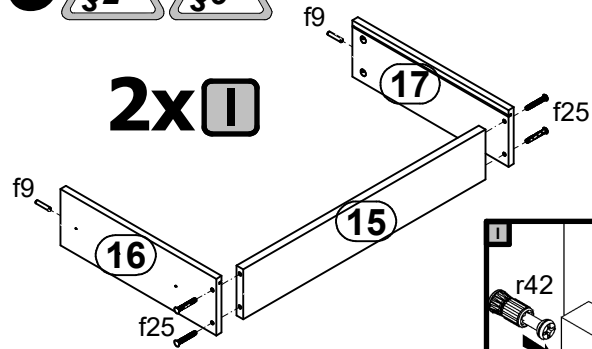


# 7

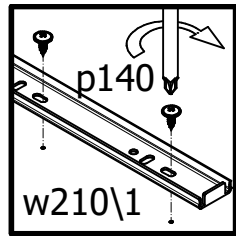
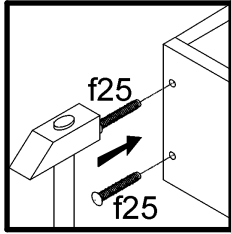
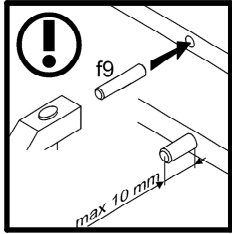
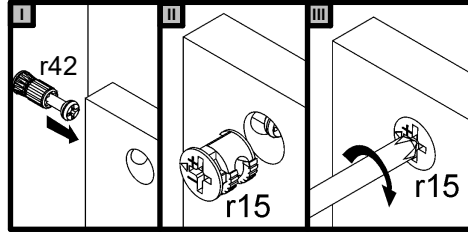
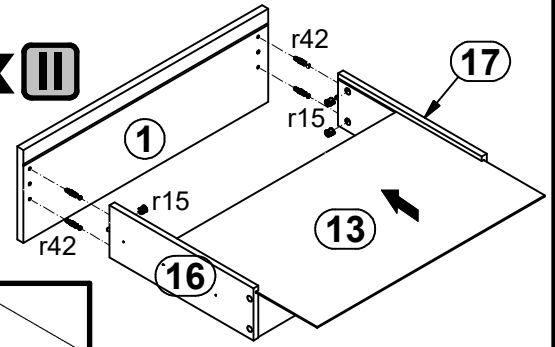


8 §2 §6

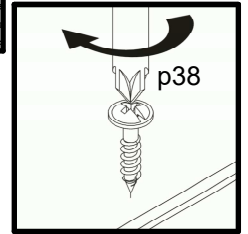
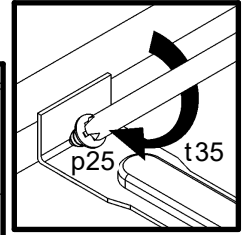
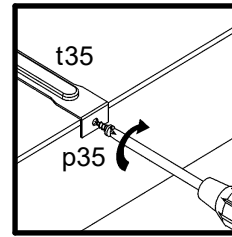
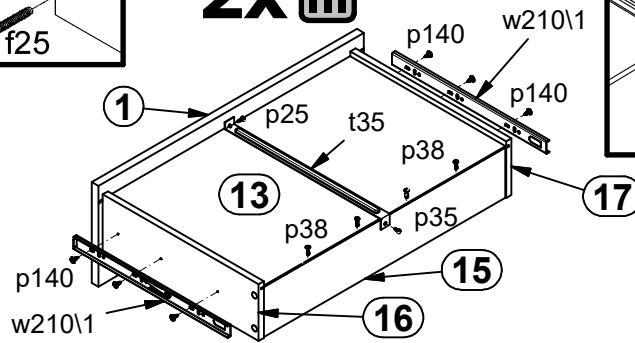
2x I



2x II



2x III



9 §6

