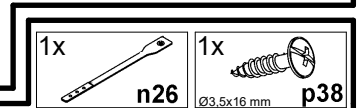
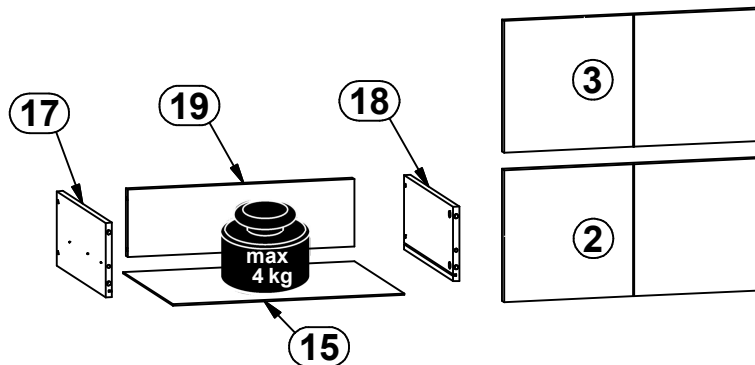
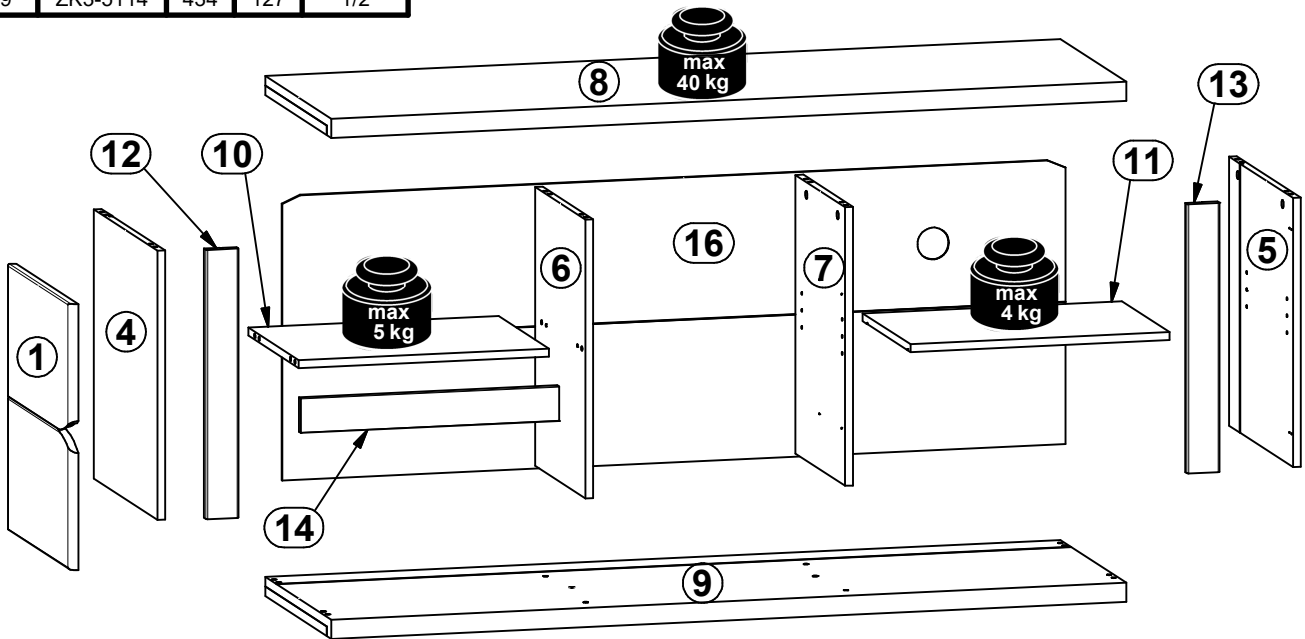
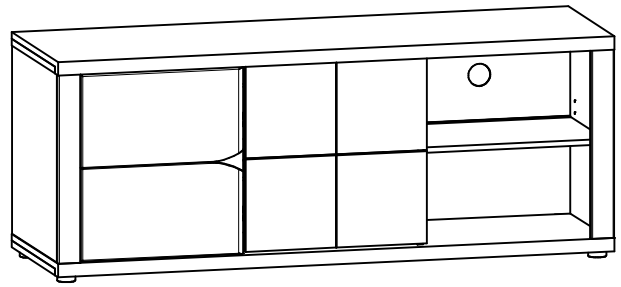
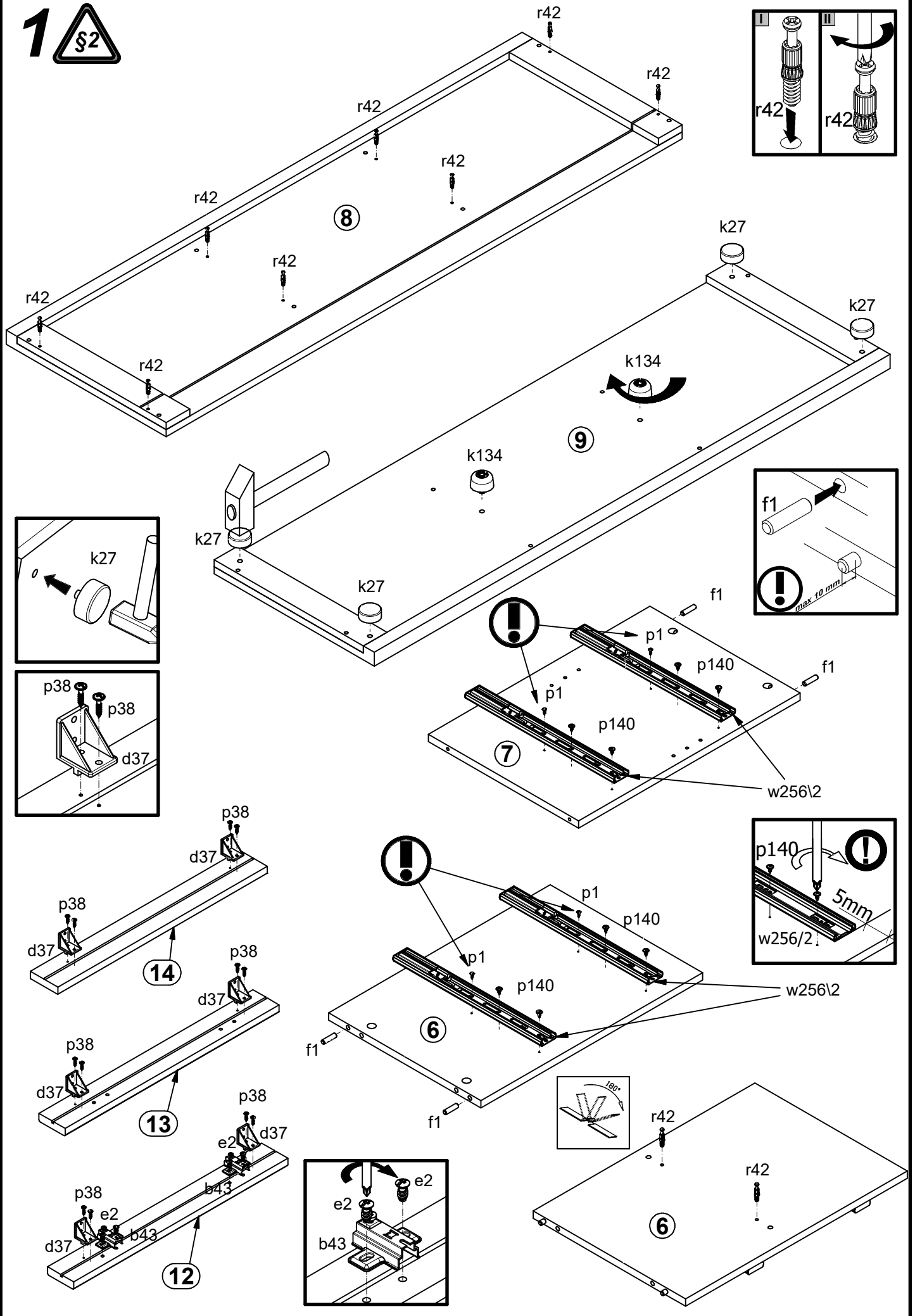


A	B	C	D	
1	S458-0005	500	446	2/2
2	S458-0007	496	248	2/2
3	S458-0008	496	248	2/2
4	S458-1005	506	456	2/2
5	S458-1006	506	456	2/2
6	S458-1007	524	360	1/2
7	S458-1008	524	355	1/2
8	S458-2007	1524	473	1/2
9	S458-2008	1524	473	1/2
10	S458-3012	480	360	1/2
11	S458-3013	497	341	2/2
12	S458-5002	506	62	1/2
13	S458-5006	506	62	1/2
14	S458-5007	495	65	1/2
15	S458-9010	444	357	1/2
16	S458-9301	1502	535	1/2
17	ZK4-513	350	140	1/2
18	ZK4-514	350	140	1/2
19	ZK3-5114	434	127	1/2

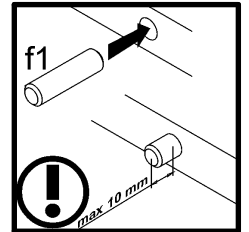
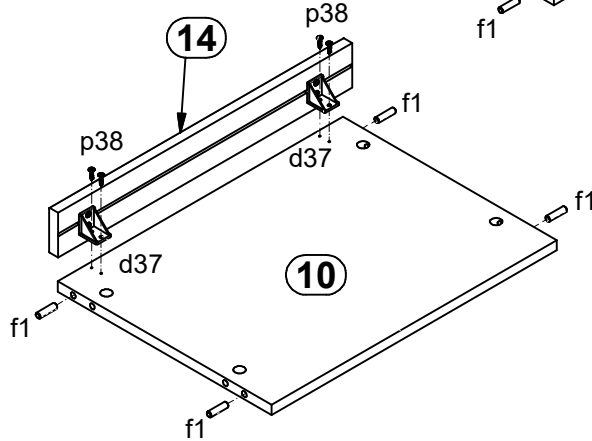
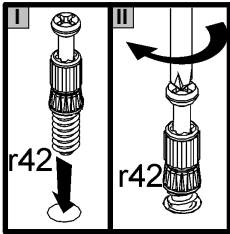
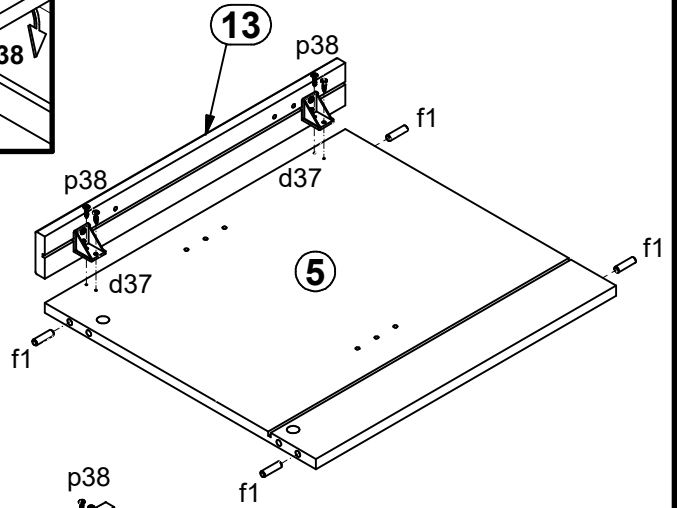
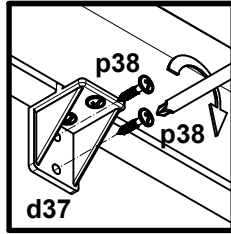
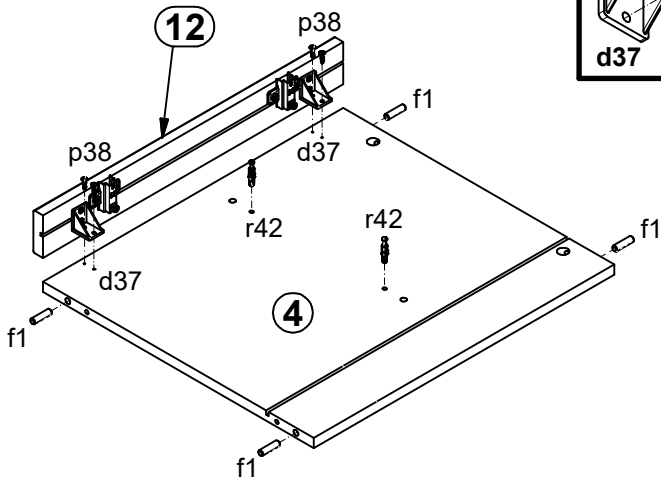


2x a132	1x a133	2x b43	4x d1 Ø5x17 mm	6x d37	4x e1 Ø7x50 mm	4x e2 Ø6.3x13 mm	4x e27 Ø7x70 mm	16x f1 Ø8x30 mm
4x f9 Ø6x30 mm	8x f25 Ø6.5x40 mm	4x k27	2x k134 Ø49x27/45mm	10x l1 1.4x20 mm	8x l2	4x p1 Ø3.5x13 mm	30x p38 Ø3.5x16 mm	4x p51 Ø3.5x15 mm
20x p140 Ø3.5x12 mm	12x r1 Ø15x12 mm #16	8x r15 Ø12x10.5 mm #12	20x r42 20/11	4x w256/1 L=350 mm	4x w256/2 L=350 mm	2x s68 Ø 20mm	1x z15 4 mm	

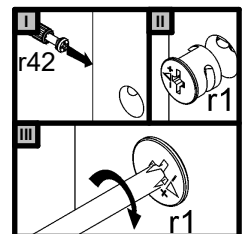
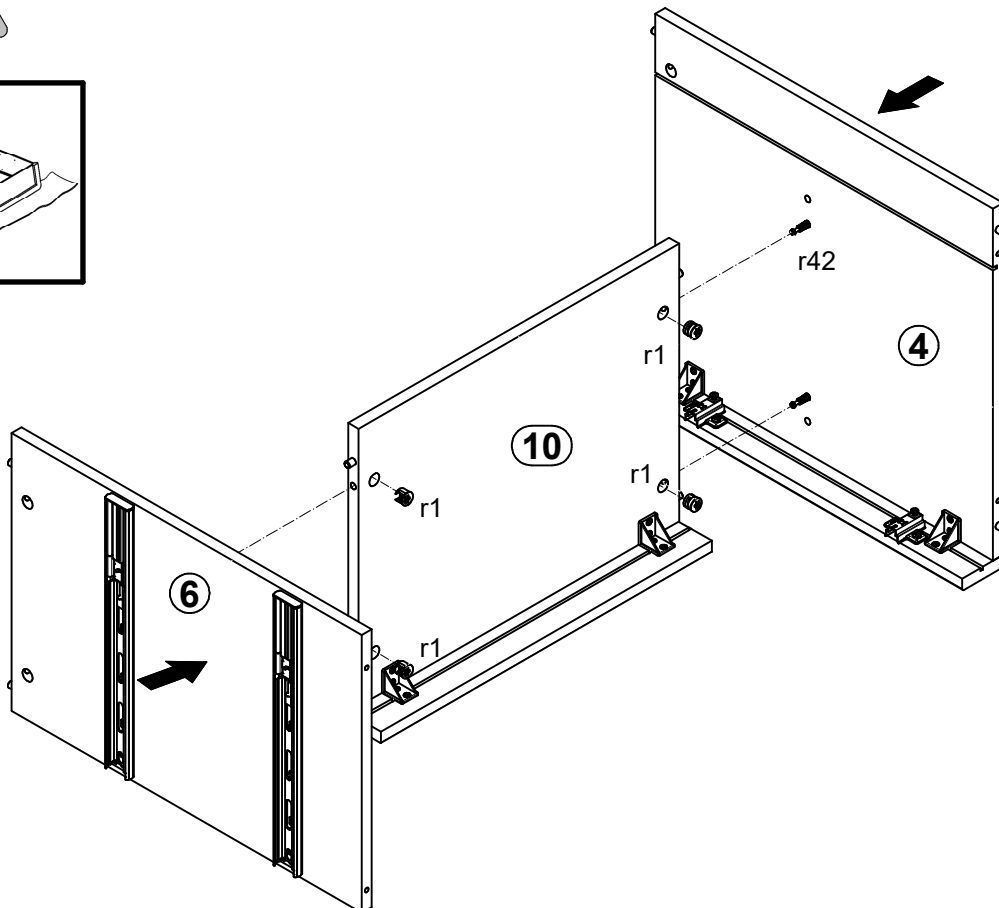
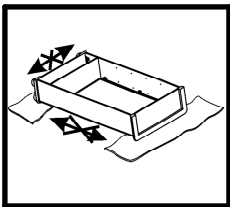
1 



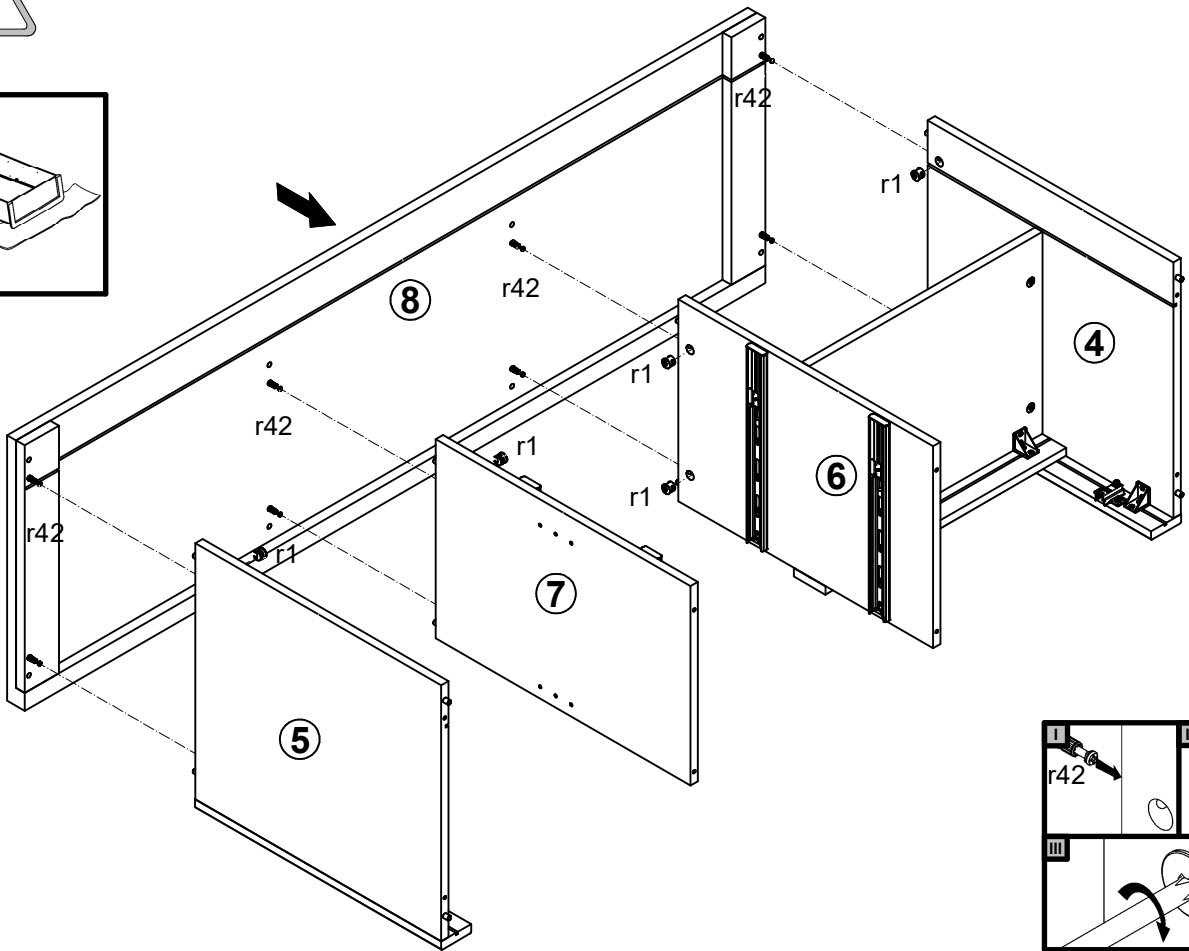
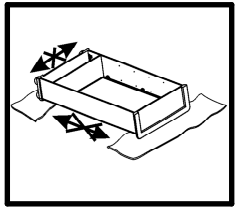
2 \triangle §2 \triangle §6



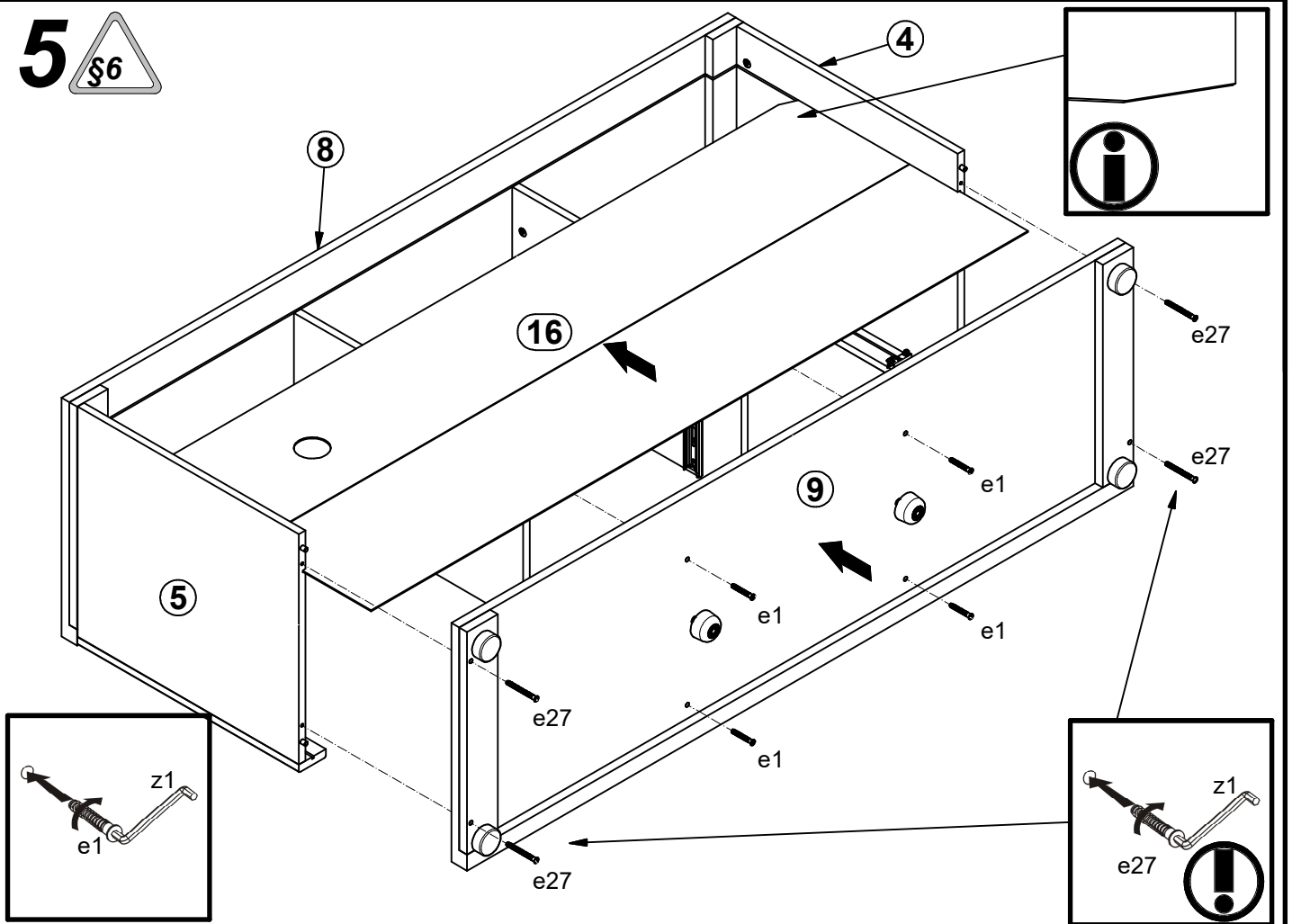
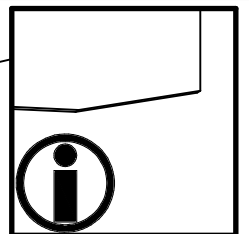
3 \triangle §6



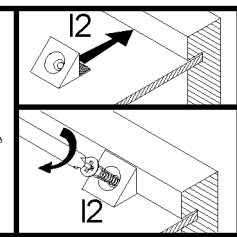
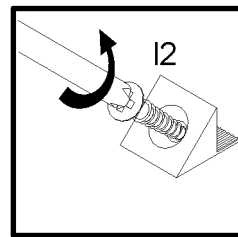
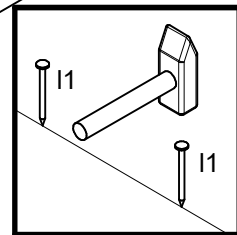
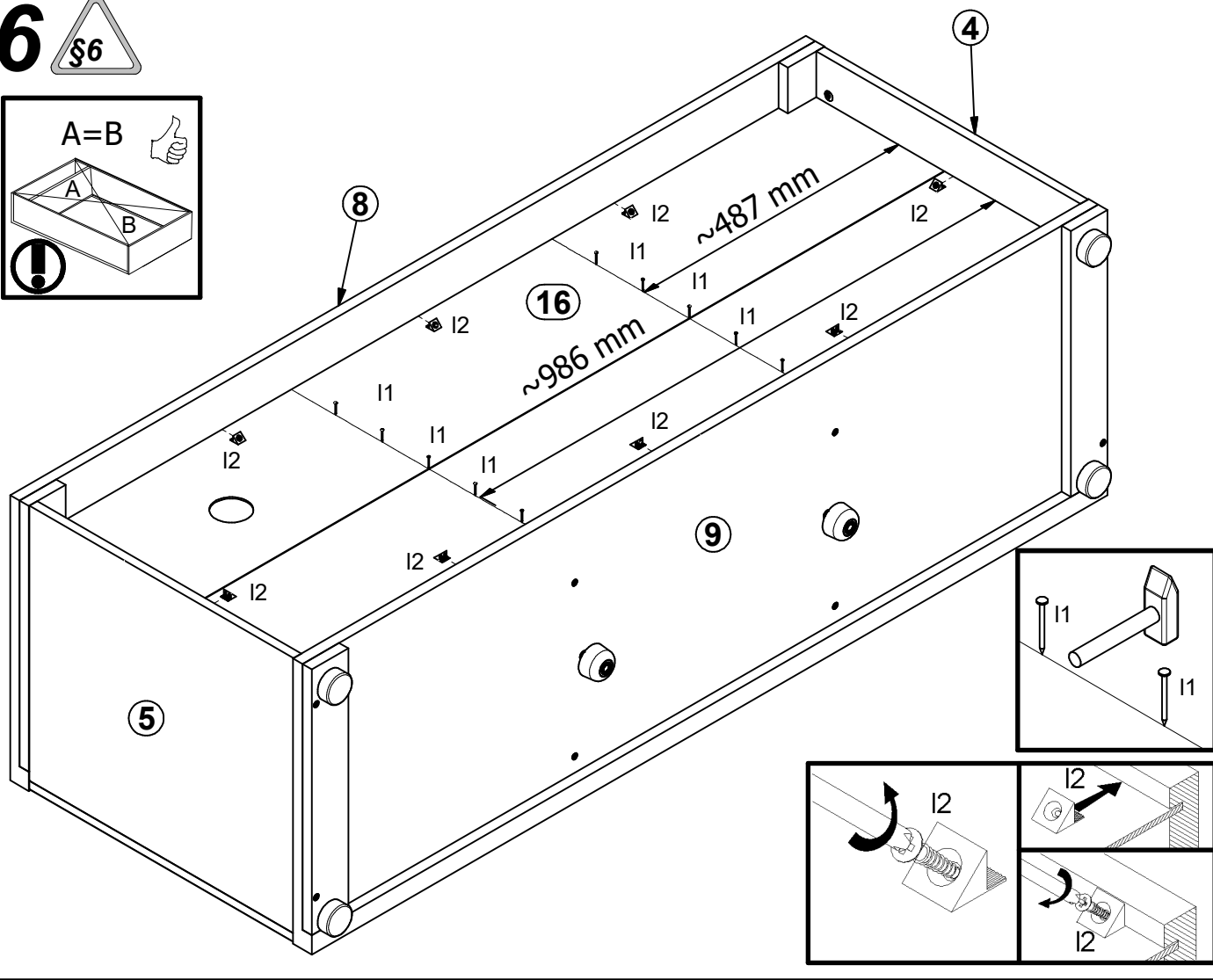
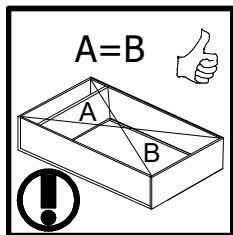
4



5



6



7

2x 

