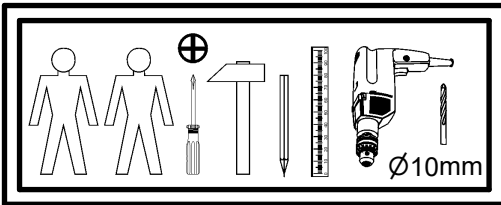
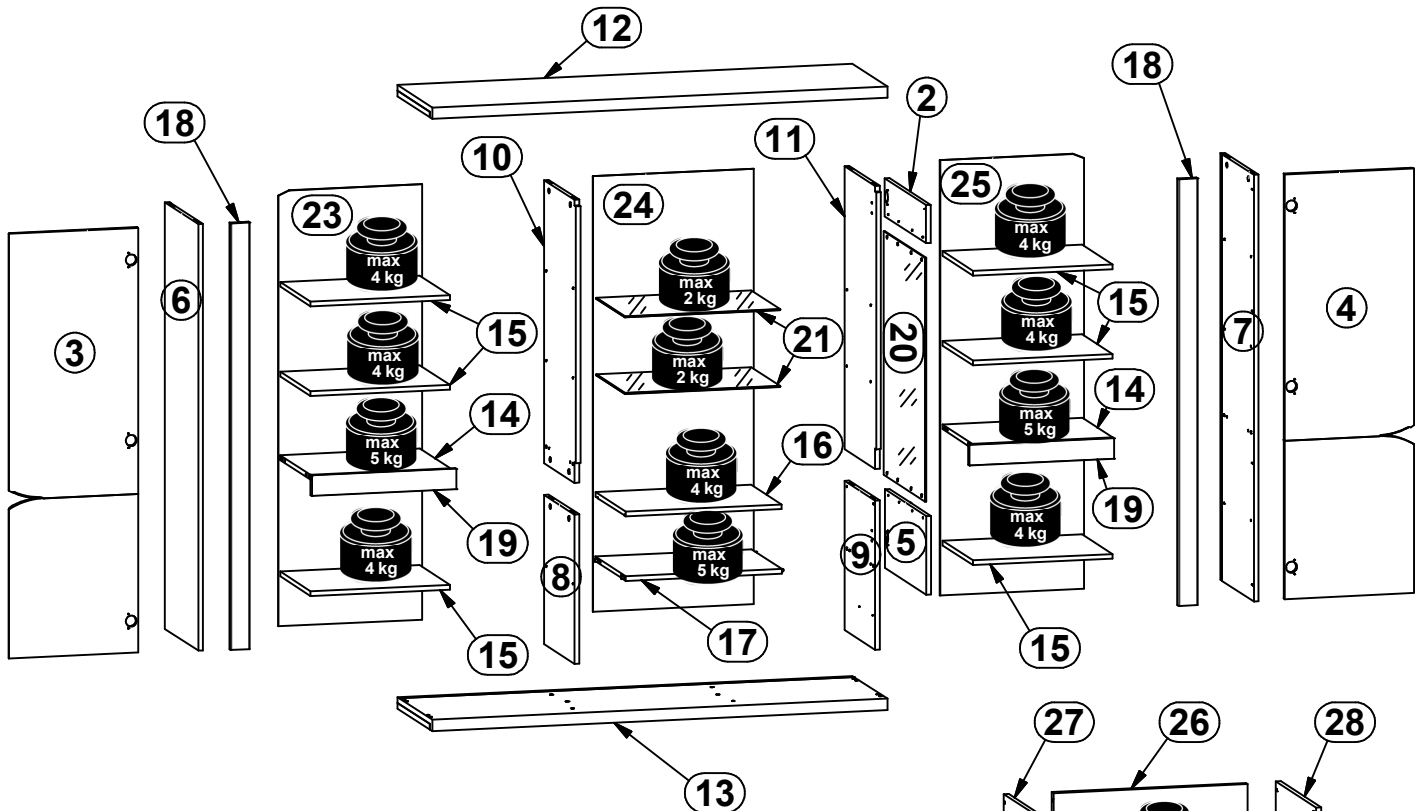
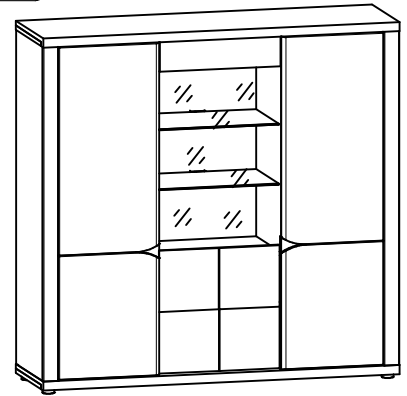


**A**

# ROVIKA

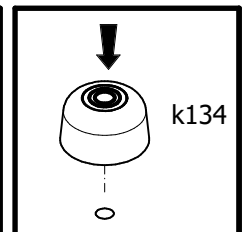
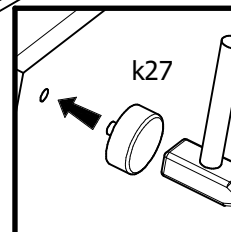
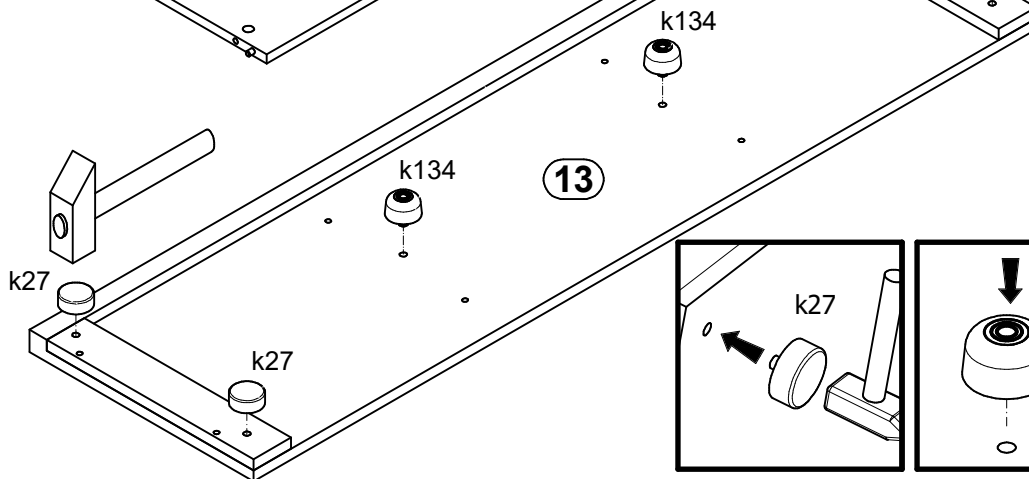
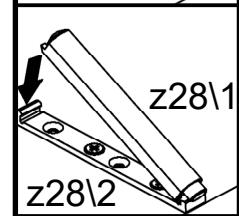
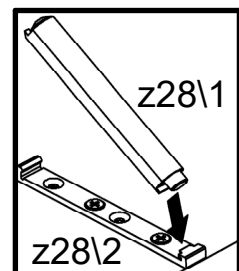
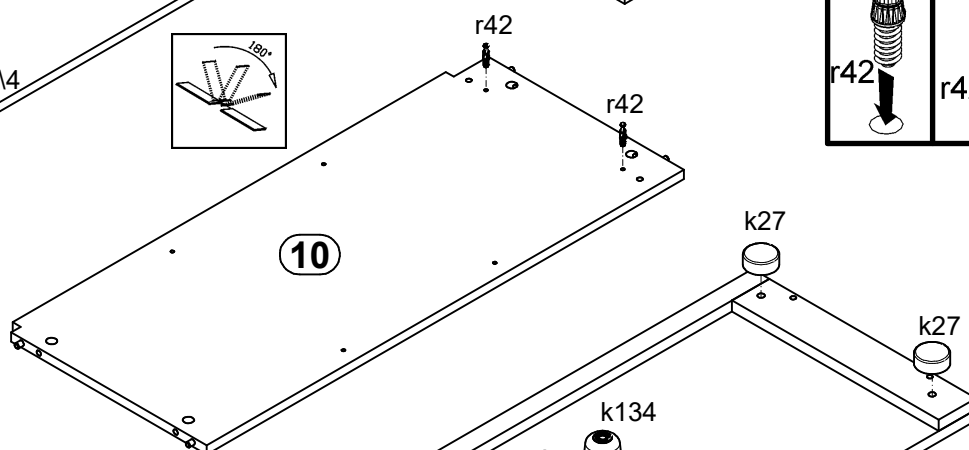
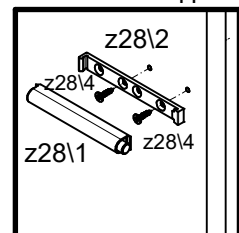
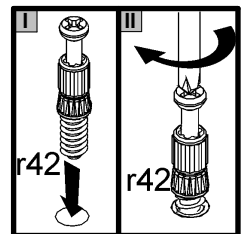
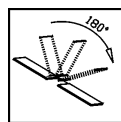
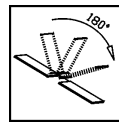
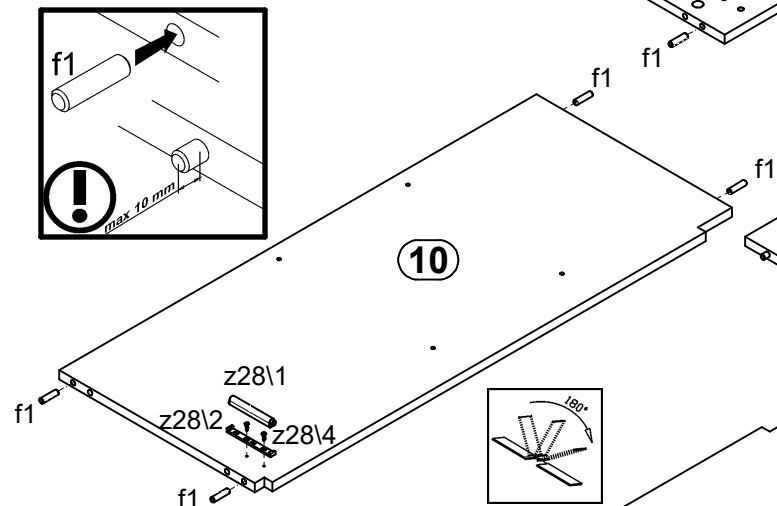
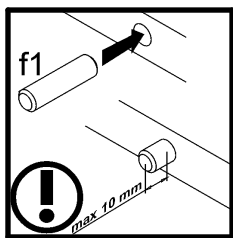
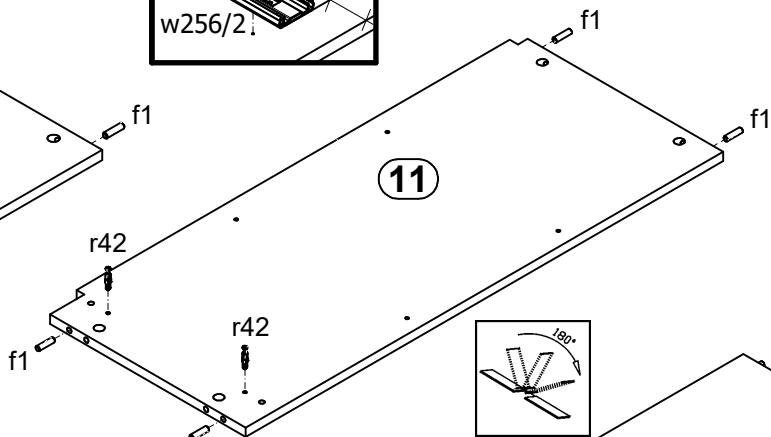
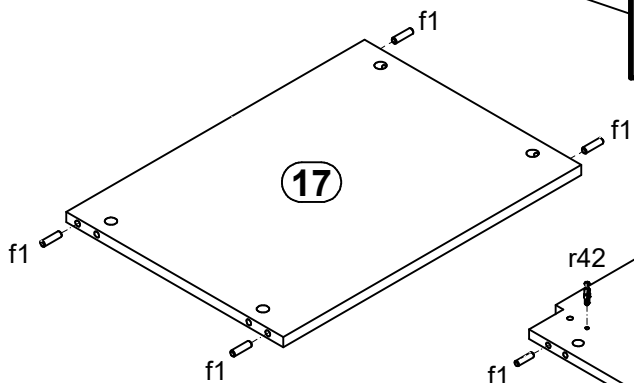
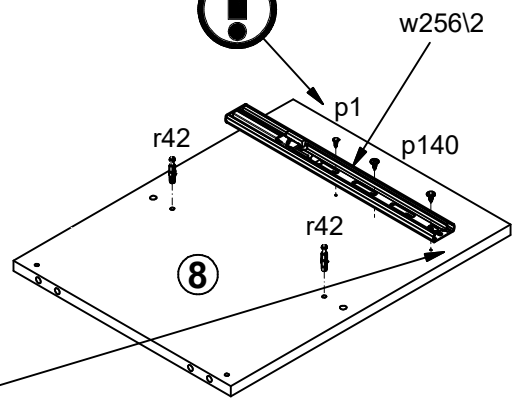
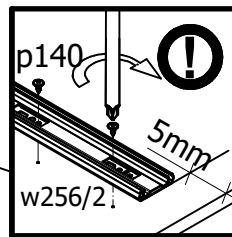
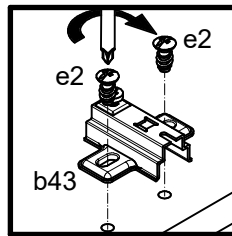
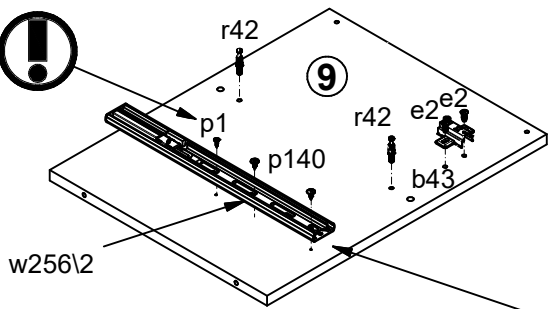
**S458-REG2D1W1S**

| A  | B         | C    | D   | A   | B  | C         | D            |
|----|-----------|------|-----|-----|----|-----------|--------------|
| 1  | S458-0001 | 496  | 248 | 3/3 | 15 | S458-3005 | 449 365 2/3  |
| 2  | S458-0010 | 496  | 120 | 3/3 | 16 | S458-3010 | 501 365 3/3  |
| 3  | S458-0012 | 1340 | 416 | 1/3 | 17 | S458-3019 | 502 365 3/3  |
| 4  | S458-0013 | 1340 | 416 | 1/3 | 18 | S458-5003 | 1346 62 1/3  |
| 5  | S458-0019 | 496  | 248 | 3/3 | 19 | S458-5009 | 465 65 1/3   |
| 6  | S458-1009 | 1346 | 402 | 1/3 | 20 | S458-5053 | 769 494 3/3  |
| 7  | S458-1010 | 1346 | 402 | 1/3 | 21 | S458-5054 | 500 346 3/3  |
| 8  | S458-1011 | 471  | 366 | 2/3 | 22 | S458-9003 | 462 357 2/3  |
| 9  | S458-1012 | 471  | 366 | 2/3 | 23 | S458-9005 | 1374 463 1/3 |
| 10 | S458-1013 | 893  | 381 | 3/3 | 24 | S458-9006 | 1374 517 1/3 |
| 11 | S458-1014 | 893  | 381 | 3/3 | 25 | S458-9013 | 1374 463 1/3 |
| 12 | S458-2003 | 1464 | 419 | 2/3 | 26 | ZK3-5111  | 452 127 3/3  |
| 13 | S458-2004 | 1464 | 419 | 2/3 | 27 | ZK4-513   | 350 140 3/3  |
| 14 | S458-3004 | 450  | 366 | 2/3 | 28 | ZK4-514   | 350 140 3/3  |

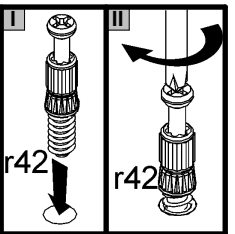
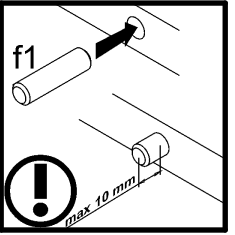
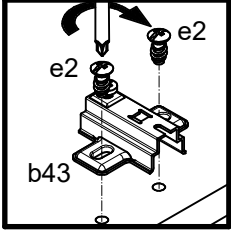
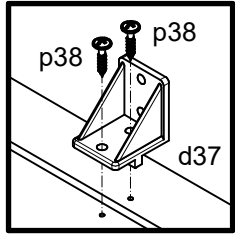
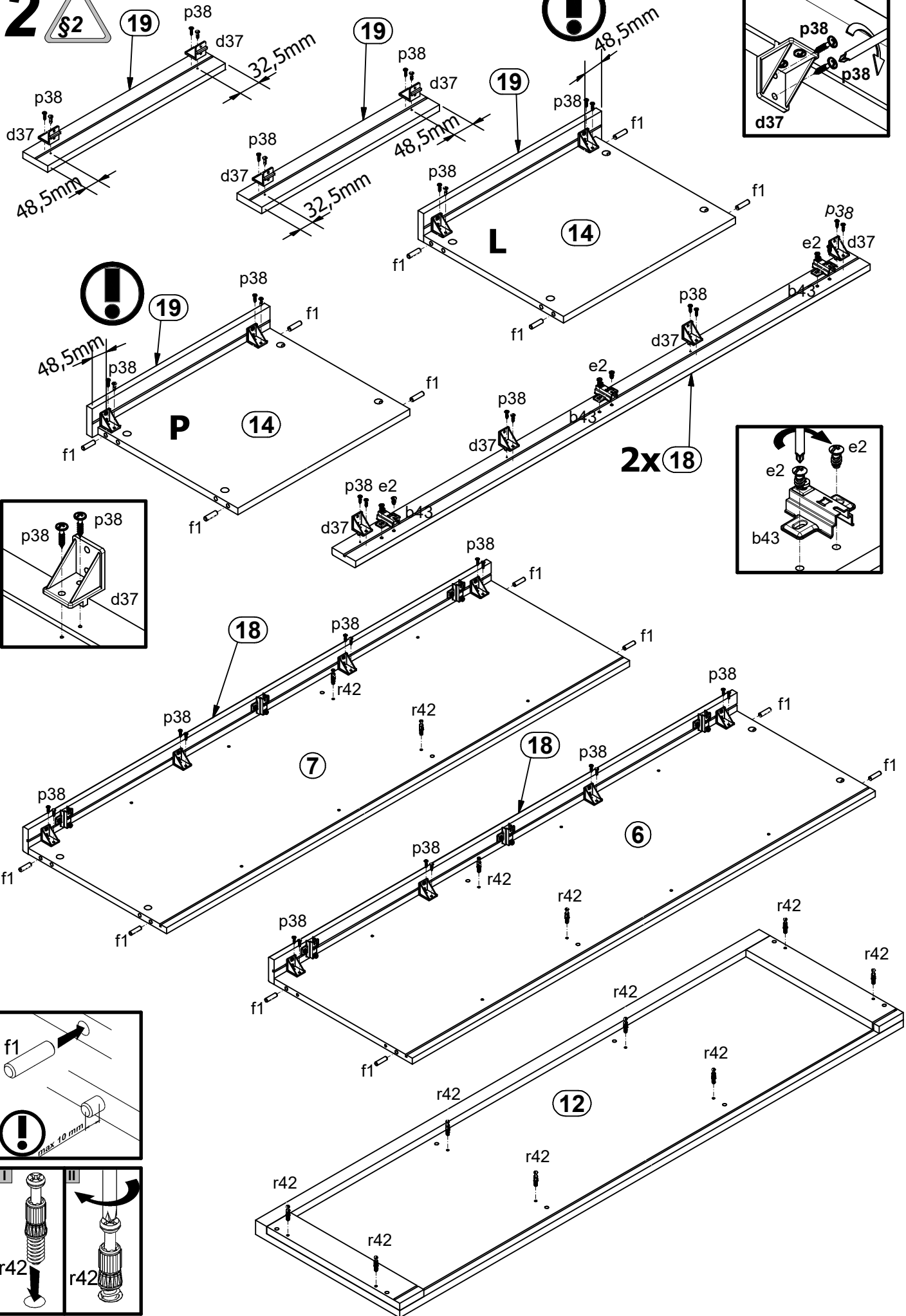
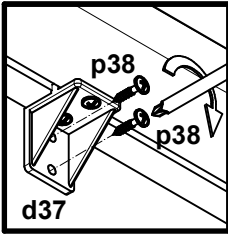


|                 |                |                |                 |                 |                 |                |                |                 |
|-----------------|----------------|----------------|-----------------|-----------------|-----------------|----------------|----------------|-----------------|
| 6x<br><br>a132  | 2x<br><br>a133 | 2x<br><br>a160 | 8x<br><br>b43   | 28x<br><br>d1   | 8x<br><br>d3    | 12x<br><br>d37 | 4x<br><br>e1   | 16x<br><br>e2   |
| 4x<br><br>e27   | 8x<br><br>e47  | 28x<br><br>f1  | 2x<br><br>f9    | 4x<br><br>f25   | 4x<br><br>k27   | 2x<br><br>k134 | 15x<br><br>l1  | 12x<br><br>l2   |
| 14x<br><br>n108 | 2x<br><br>o438 | 8x<br><br>o54  | 1x<br><br>o6013 | 2x<br><br>p1    | 51x<br><br>p38  | 16x<br><br>p51 | 14x<br><br>p55 | 10x<br><br>p140 |
| 28x<br><br>r1   | 4x<br><br>r15  | 24x<br><br>r42 | 4x<br><br>r51   | 2x<br><br>w2561 | 2x<br><br>w2562 | 1x<br><br>z281 | 1x<br><br>z282 | 1x<br><br>z283  |
| 3x<br><br>z284  | 8x<br><br>s68  | 1x<br><br>z15  |                 |                 |                 | 1x<br><br>n26  | 1x<br><br>p38  |                 |

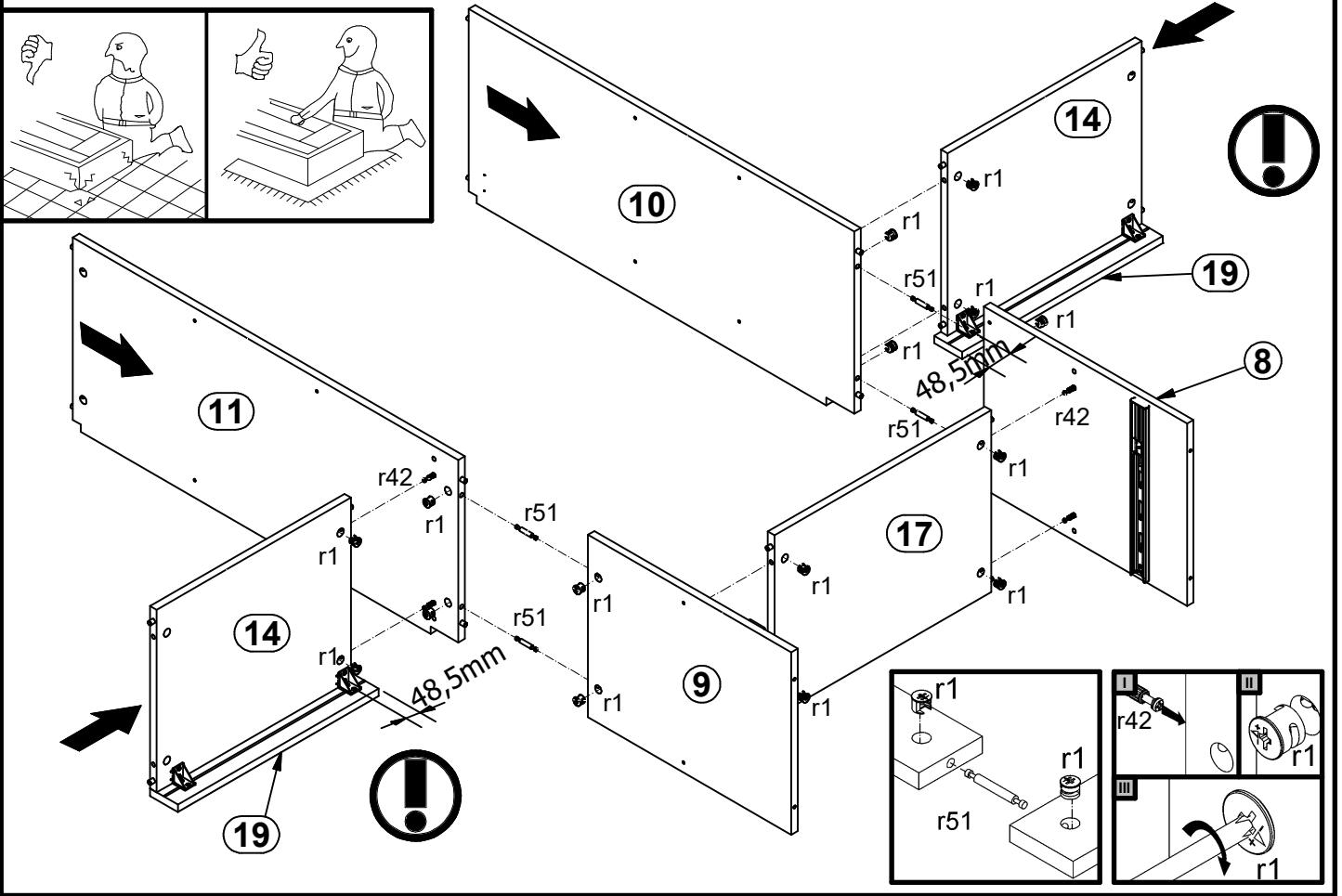
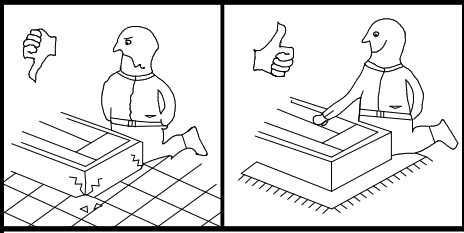
1  §2



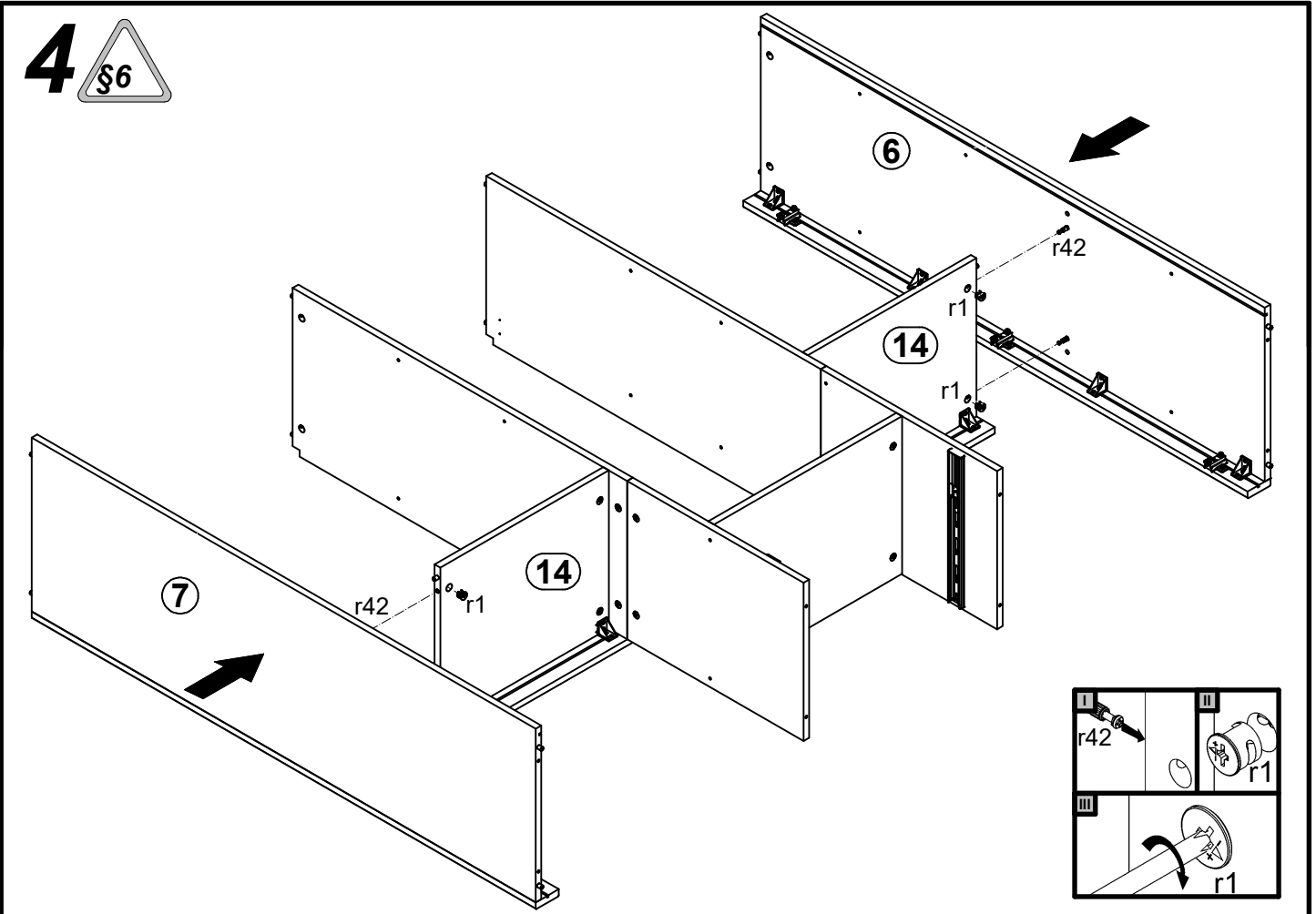
# 2

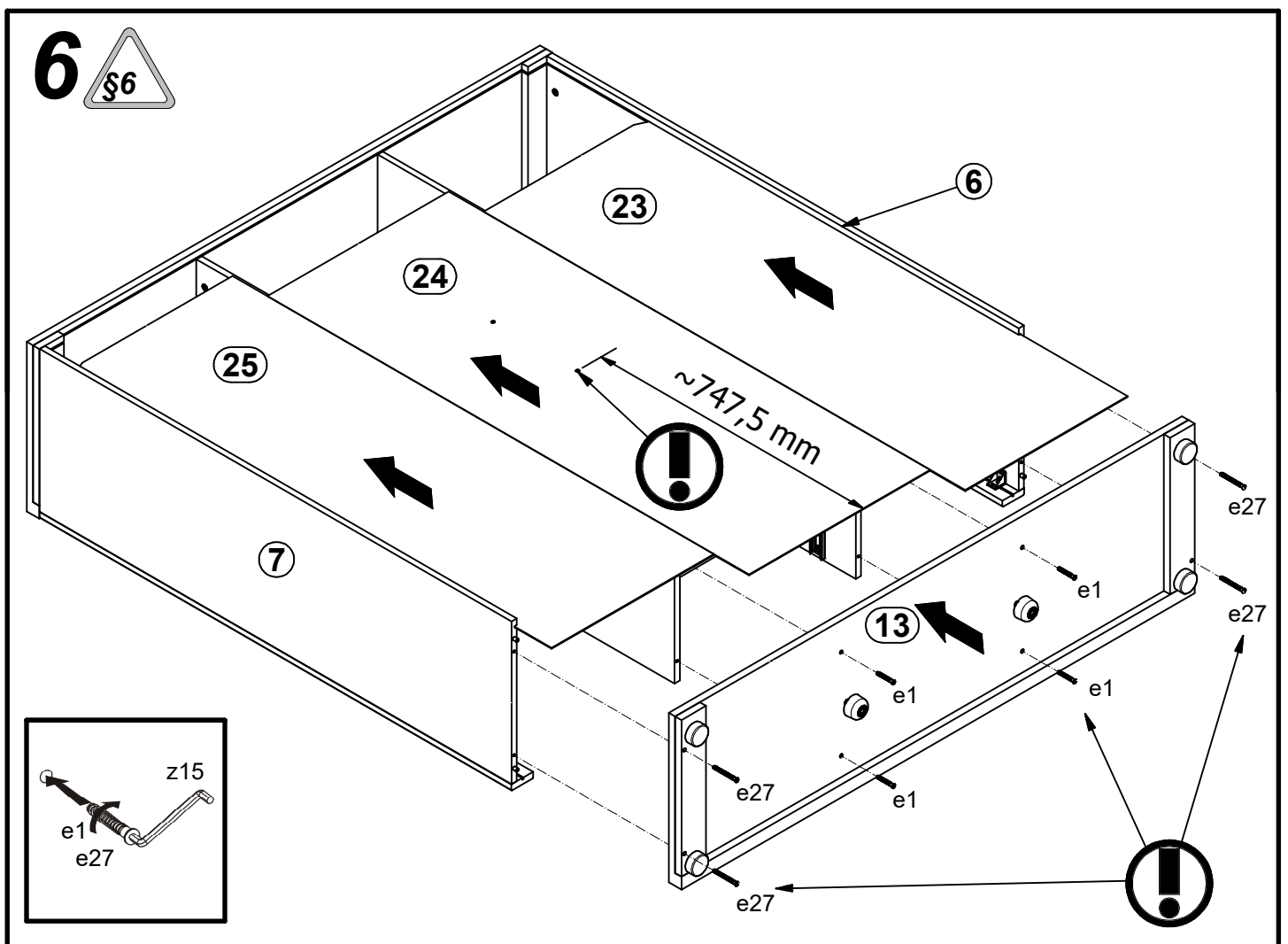
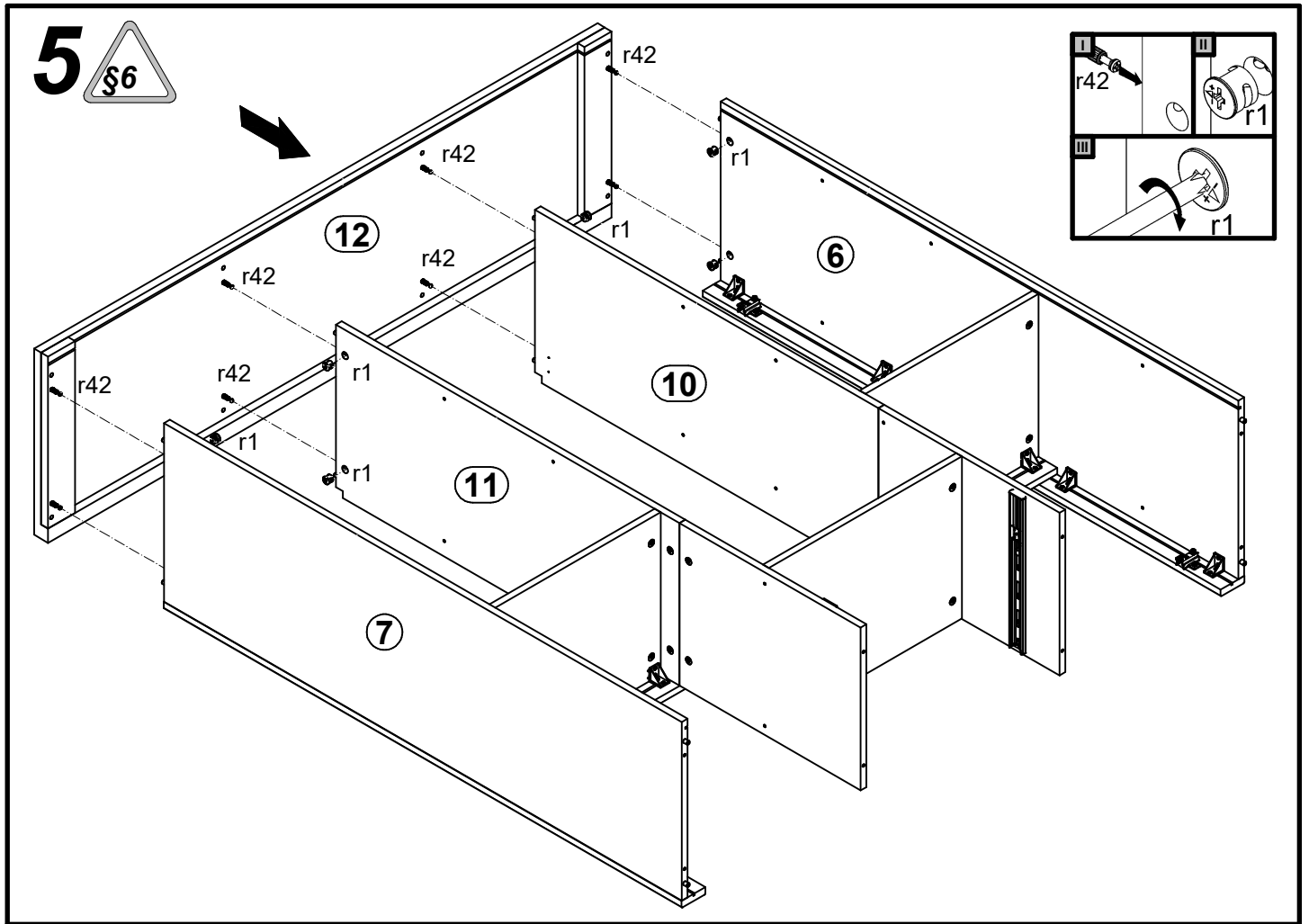


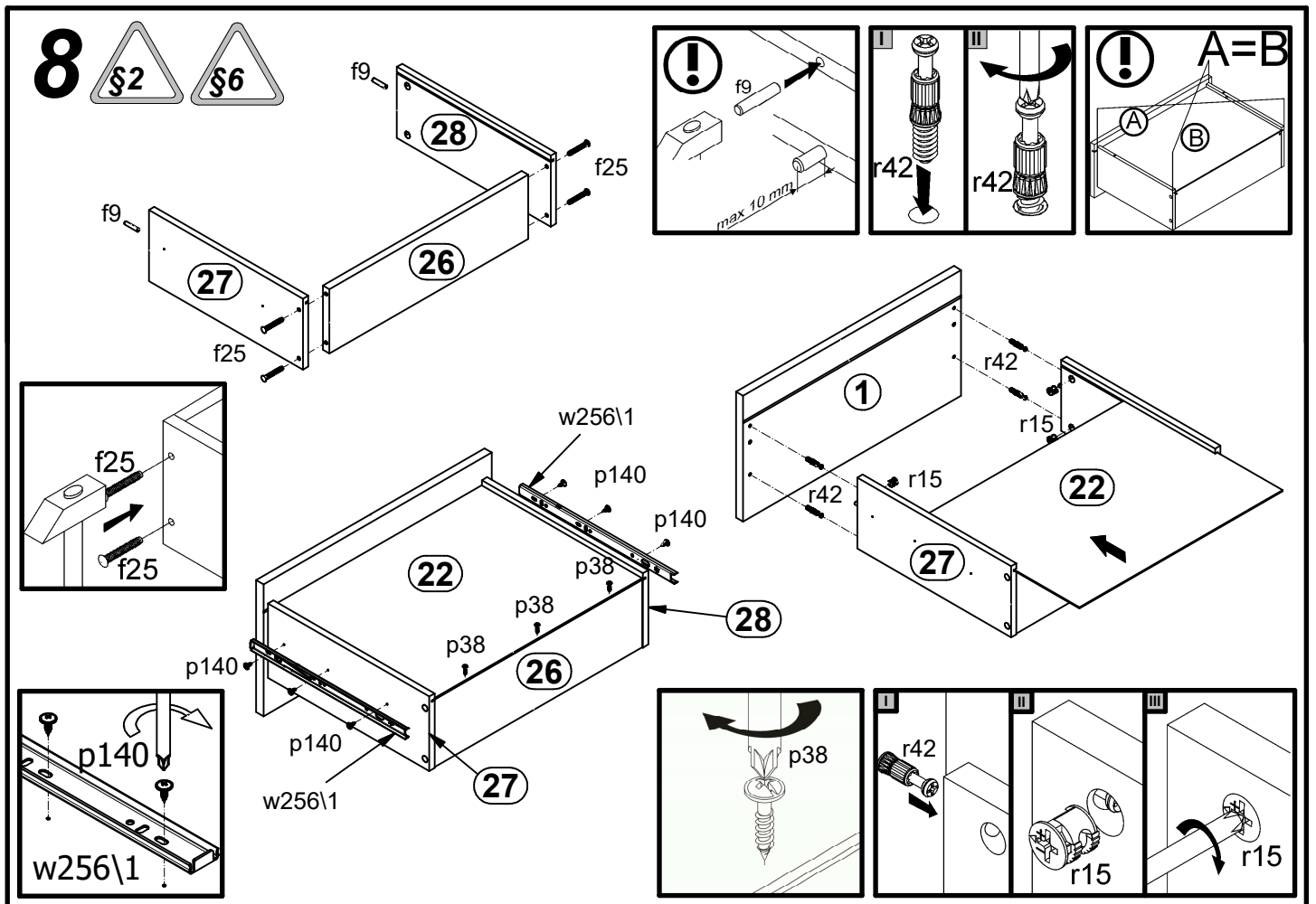
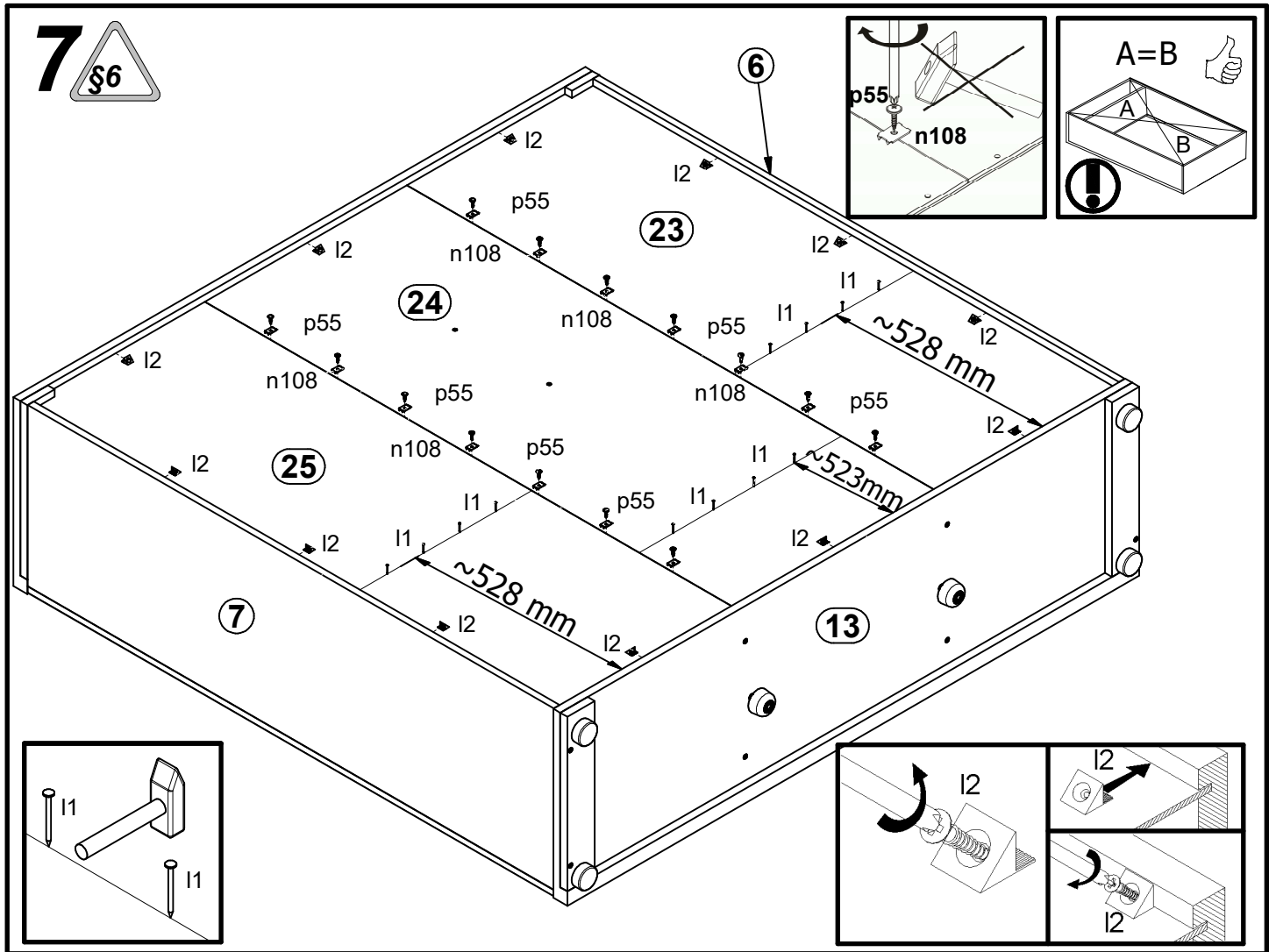
# 3



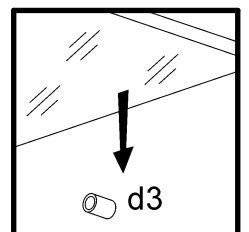
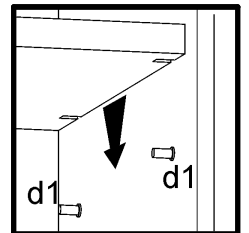
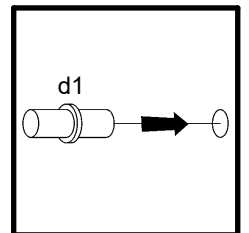
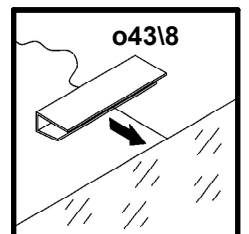
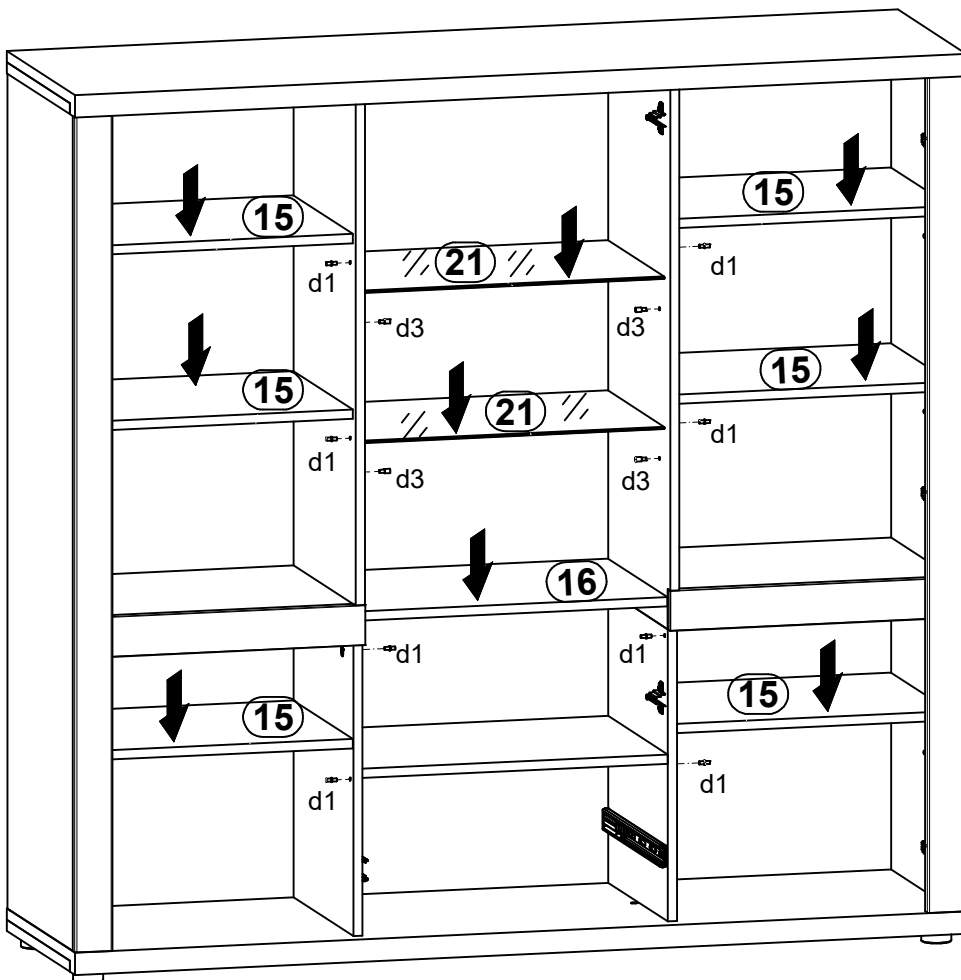
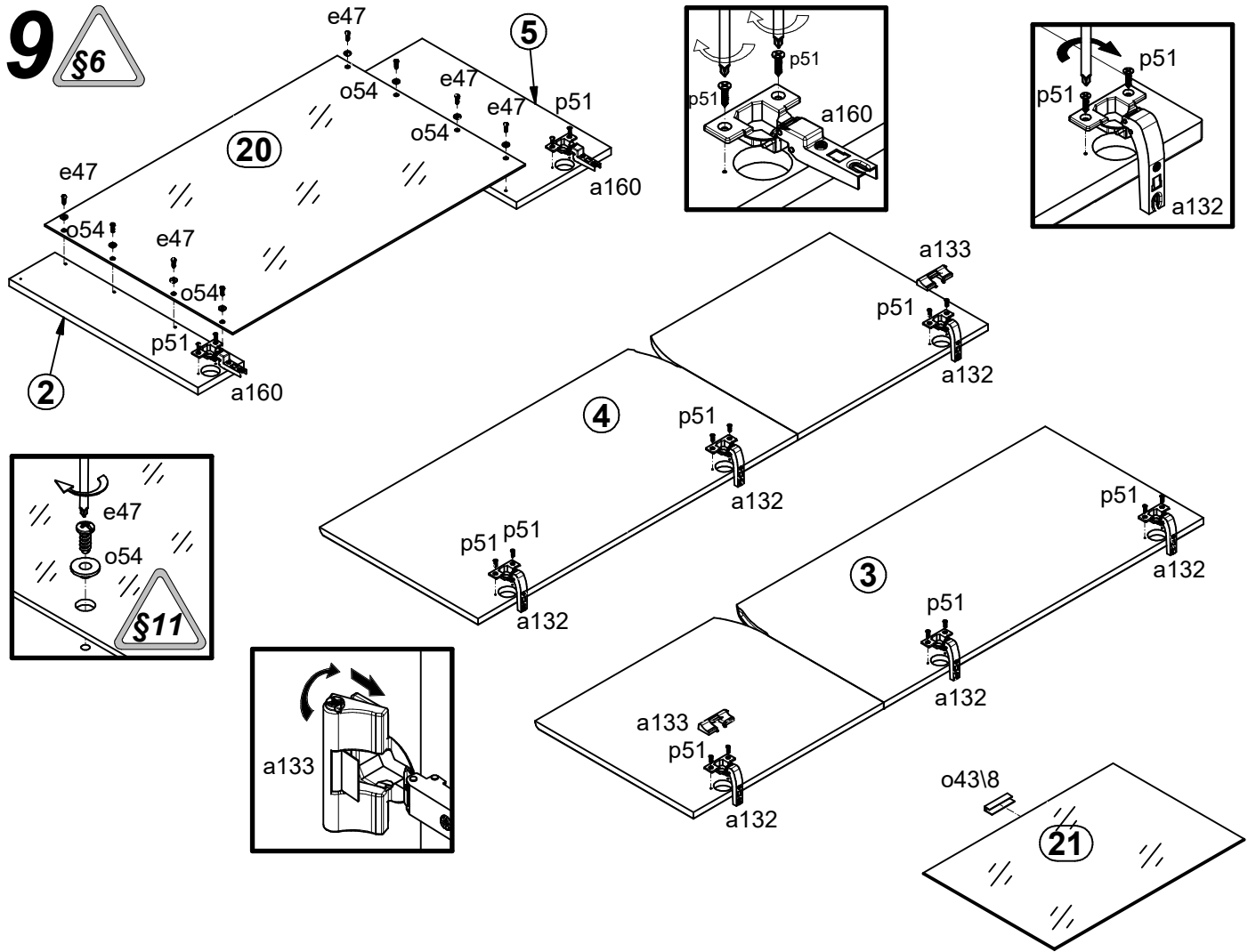
# 4







# 9



# 10

