

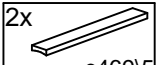
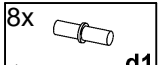


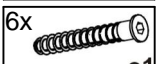
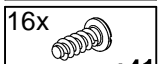
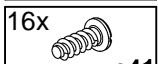
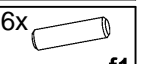

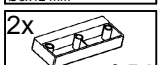
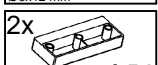


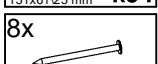



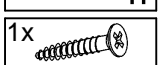


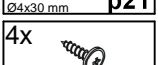



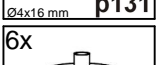
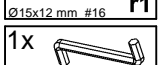


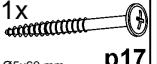
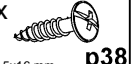
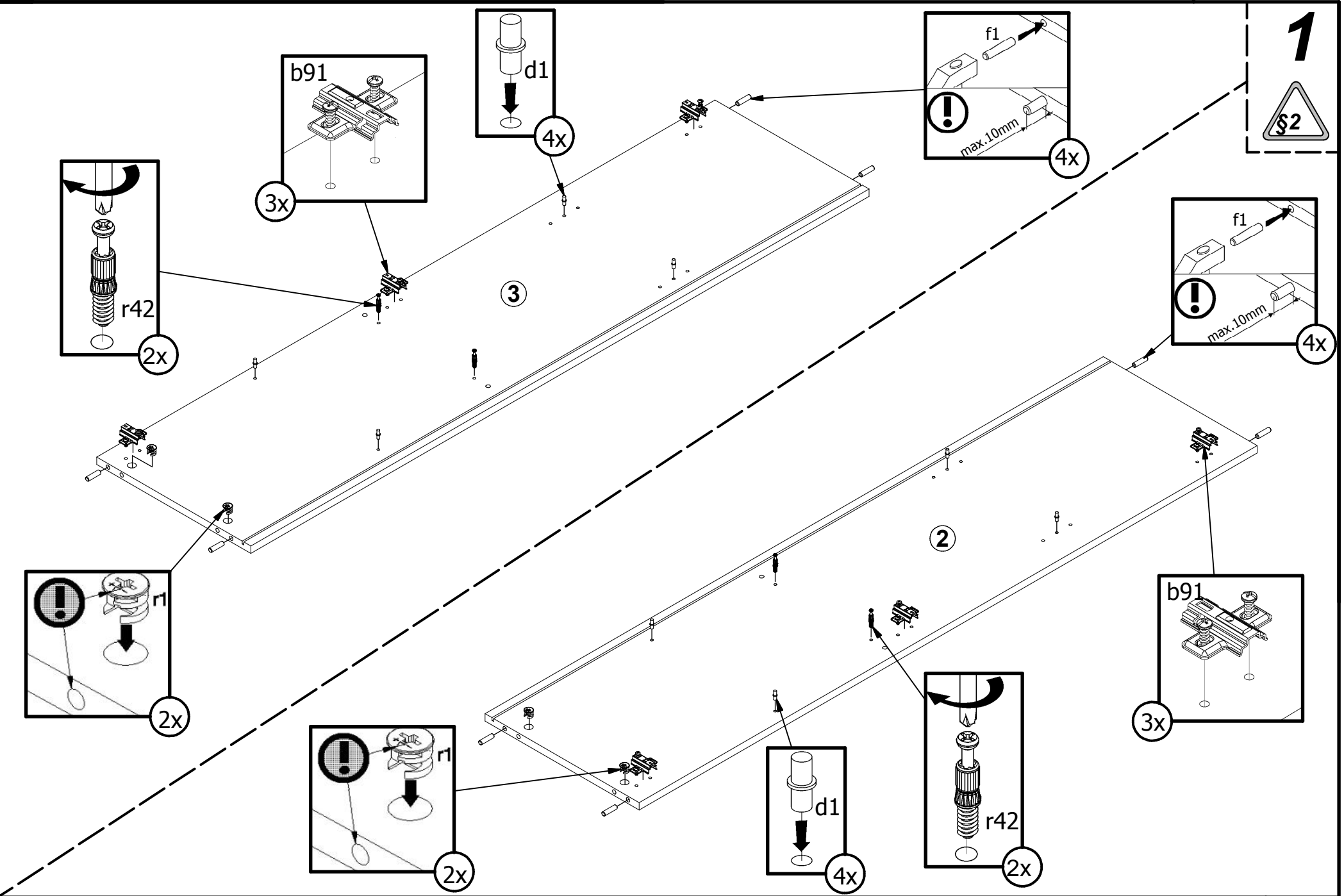
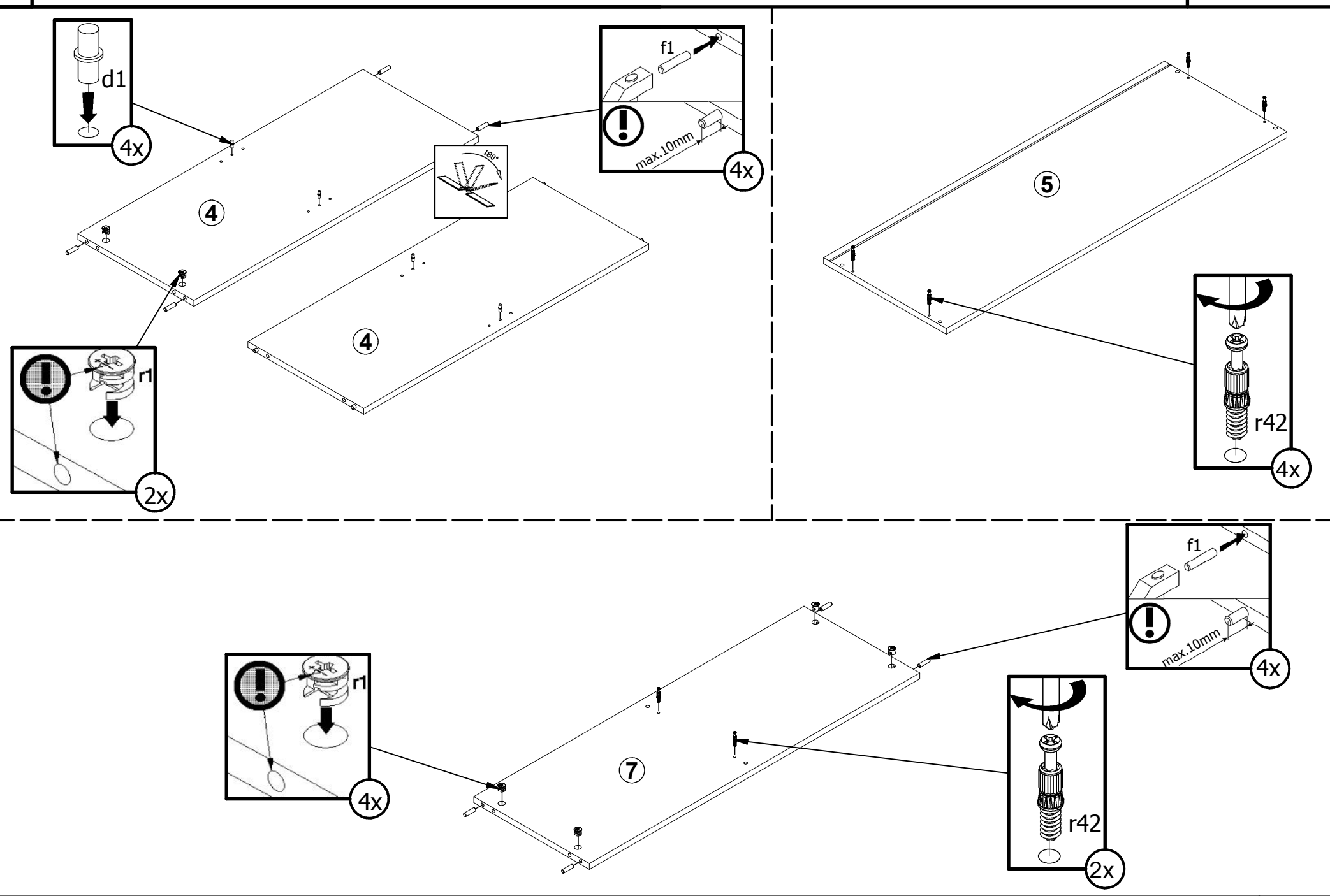


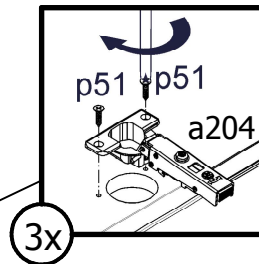
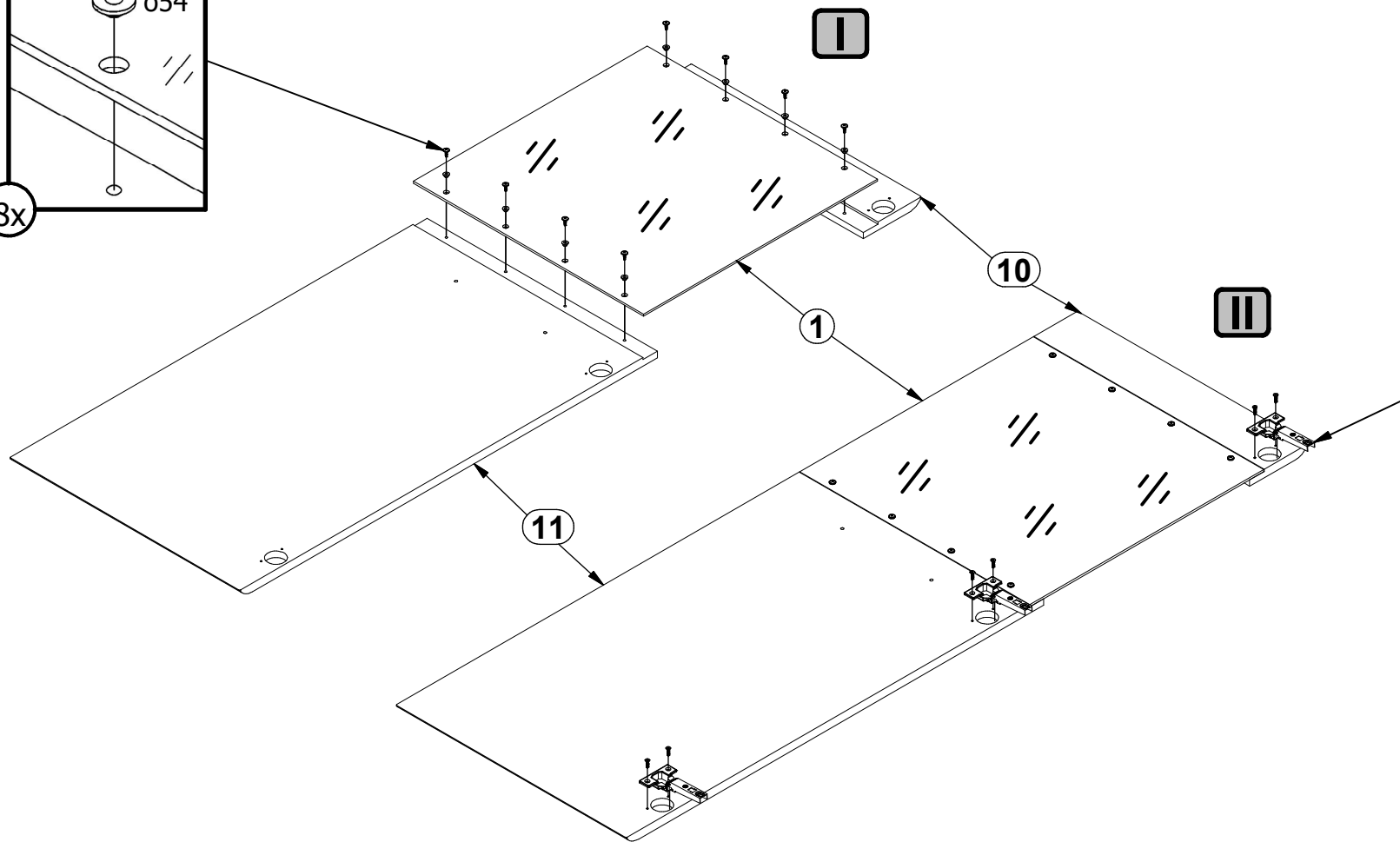
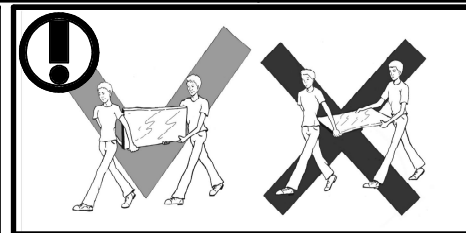
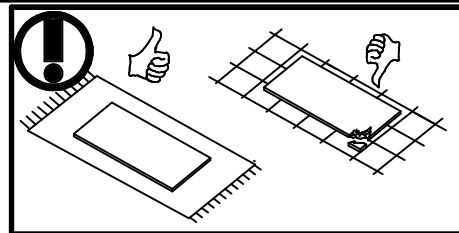
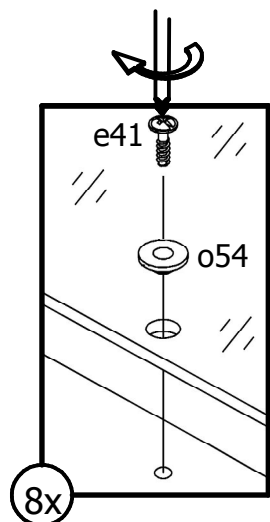
A	B	C1	C2	C3	D
1	S182-5501	504,	496	4	2/2
2	S513-1012	1445	360	15	2/2
3	S513-1013	1445	360	15	2/2
4	S513-1014	837	340	15	1/2
5	S513-2008	1001	360	15	1/2
6	S513-2009	1001	360	15	1/2
7	S513-3011	970	340	15	1/2
8	S513-3012	477	330	15	1/2
9	S513-3013	968,	330	8	1/2
10	S513-7005	125	496	16	2/2
11	S513-7006	900	496	16	2/2
12	S513-7007	125	496	16	2/2
13	S513-7008	900	496	16	2/2
14	S513-9302	1455	979	2,5	2/2

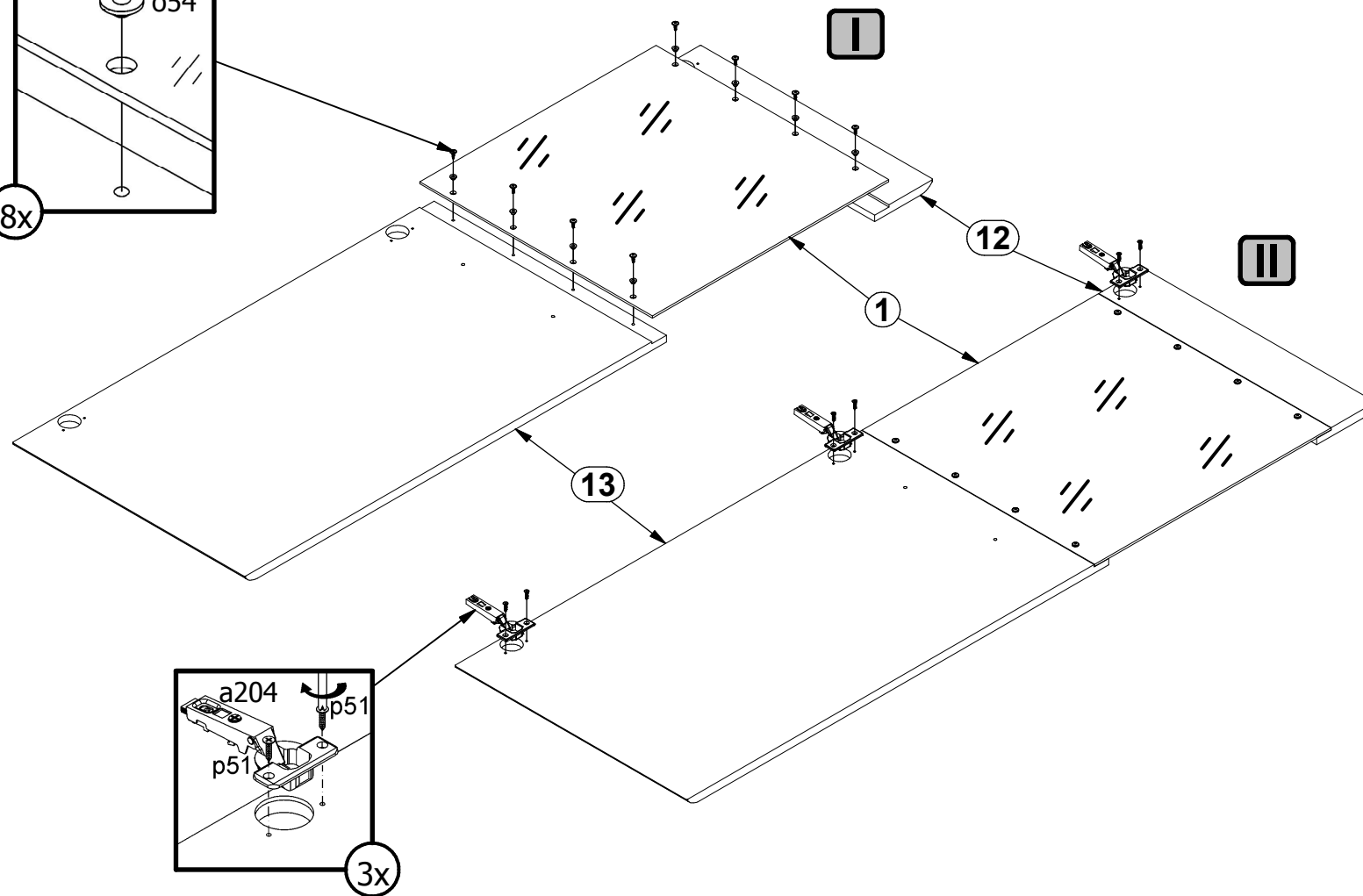
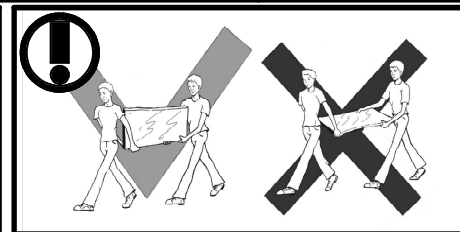
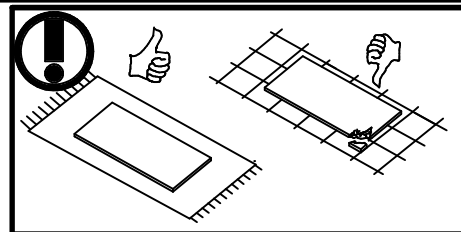
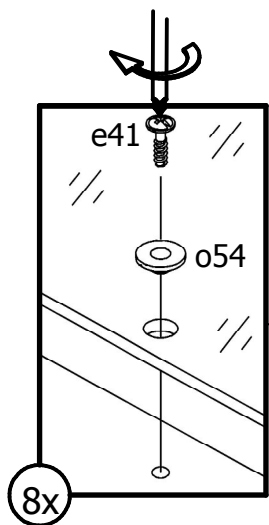
6x  a204	6x  b91
2x  c469/5	8x  d1
4x  d3	4x  d3
6x  e1	16x  e41
16x  e41	16x  f1
1x  k53	2x  k54
2x  k54	2x  k55/1
10x  l2	8x  l1
16x  o54	16x  o54
10x  p21	1x  p36
12x  p51	12x  p51
4x  p131	10x  r1
10x  r1	10x  r42
6x  s2	1x  z1
1x  f35	1x  n14/2
1x  p17	2x  p38





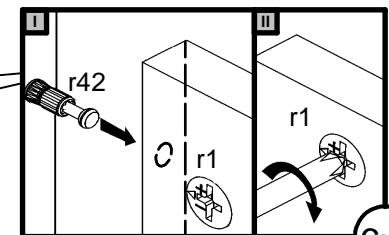




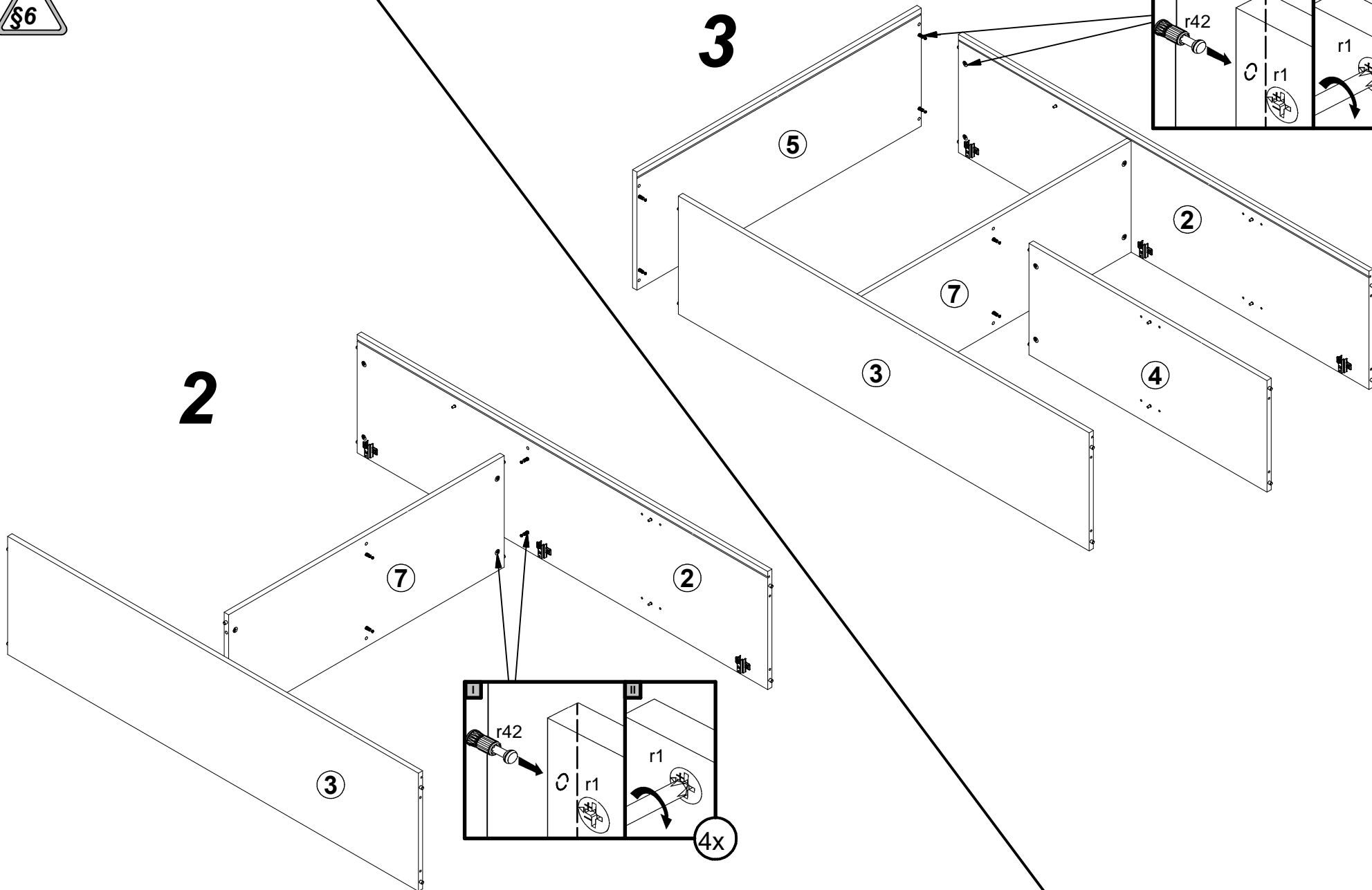
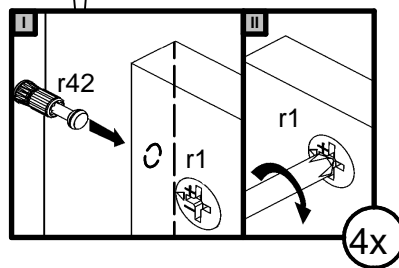


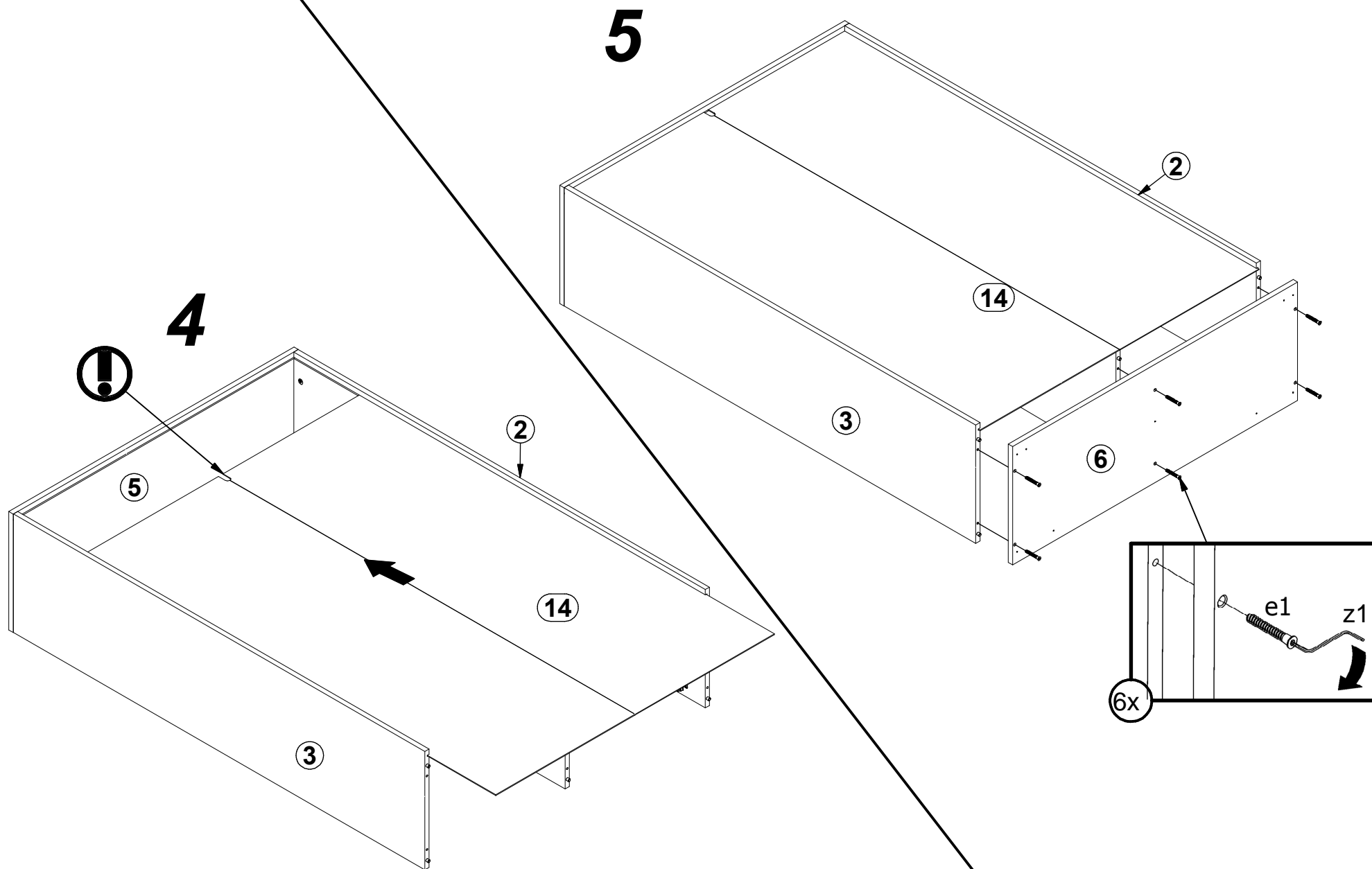


3

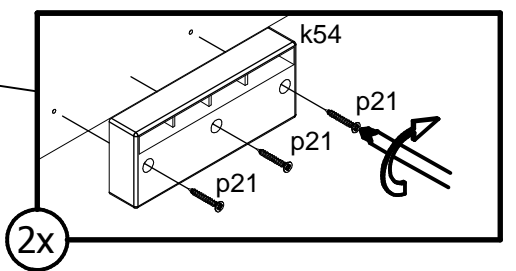
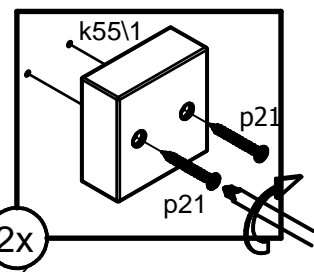
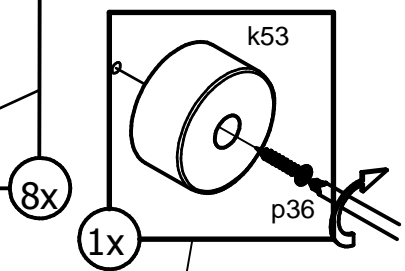
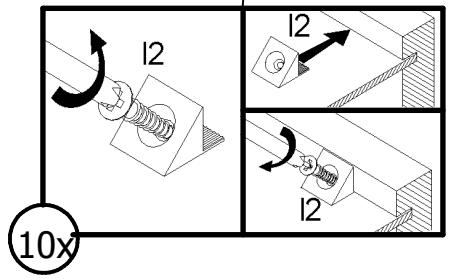
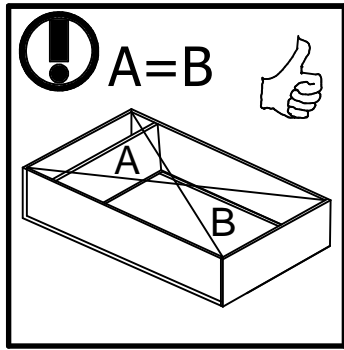
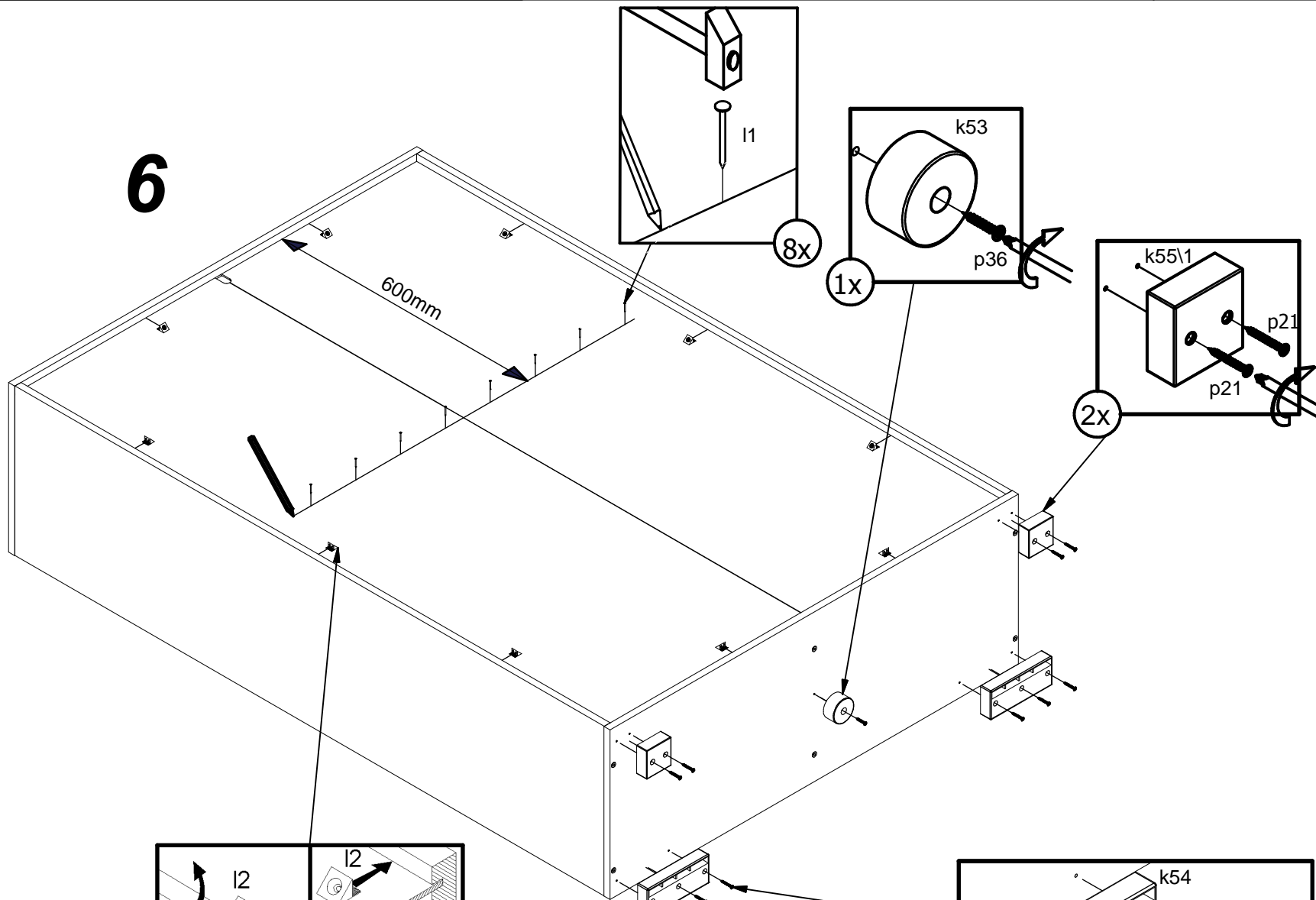


2

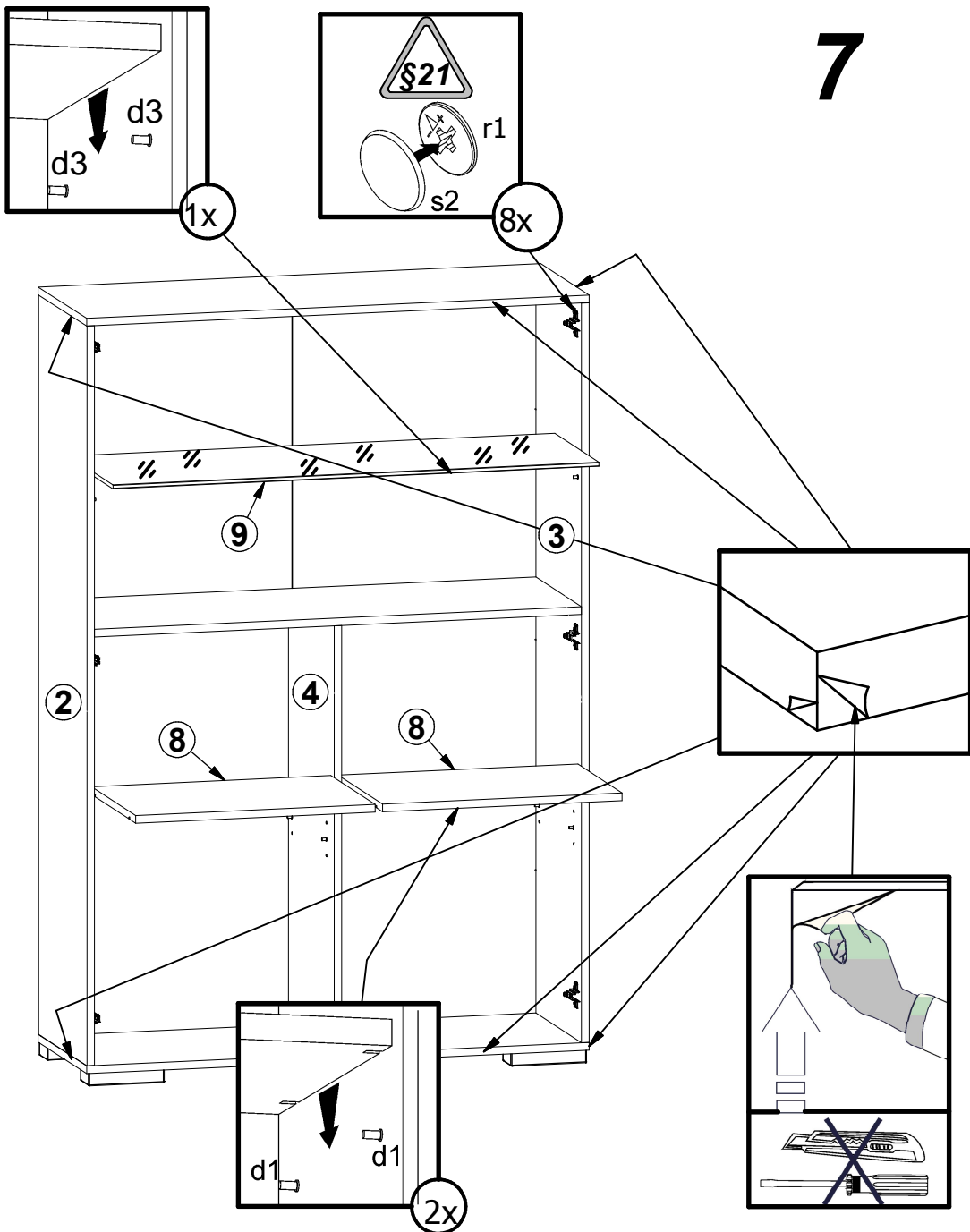




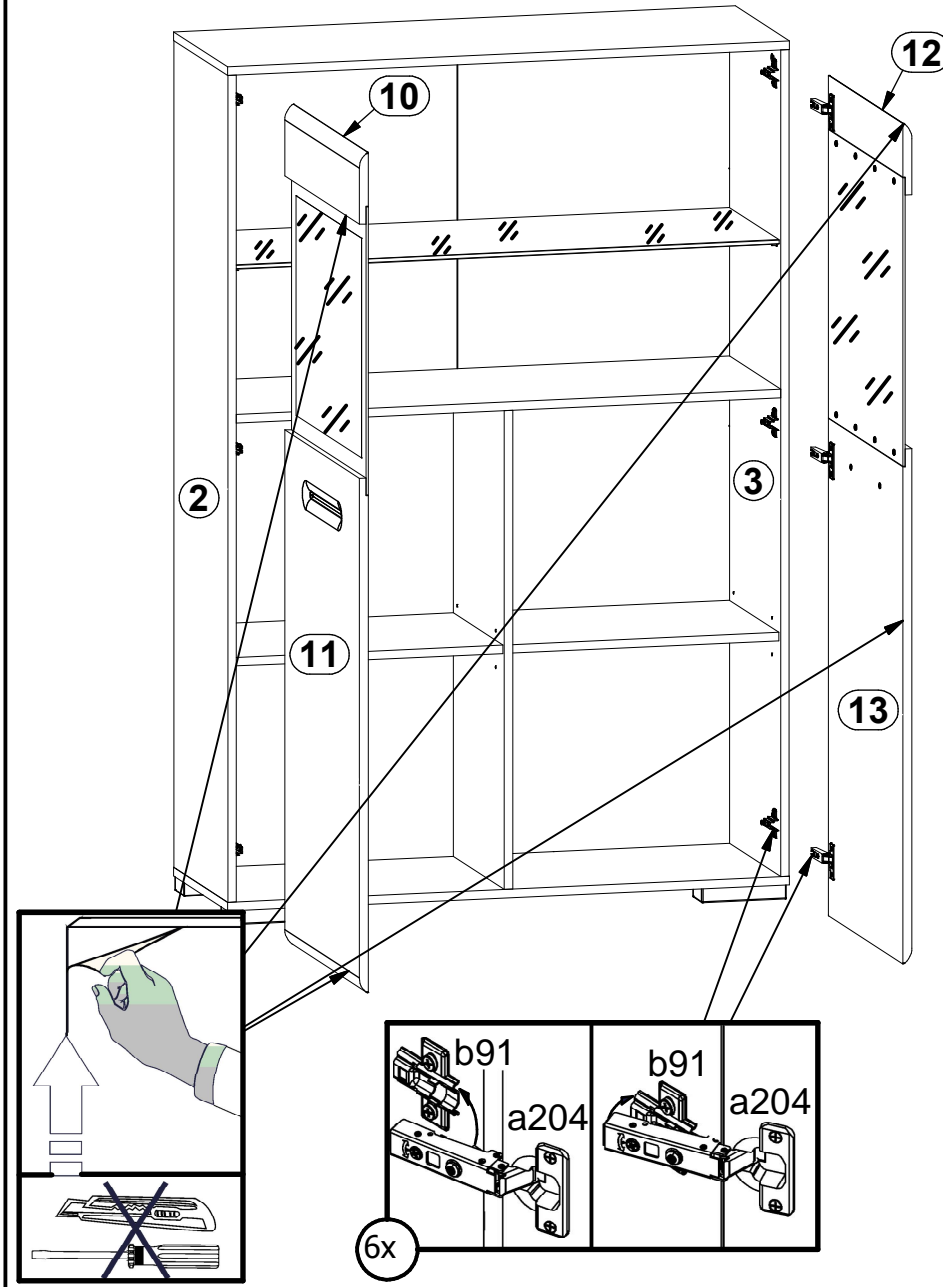
6

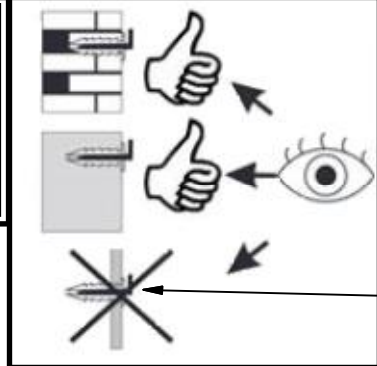
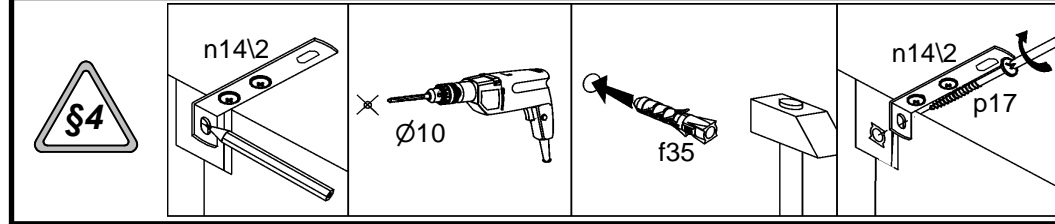


7



8





9

