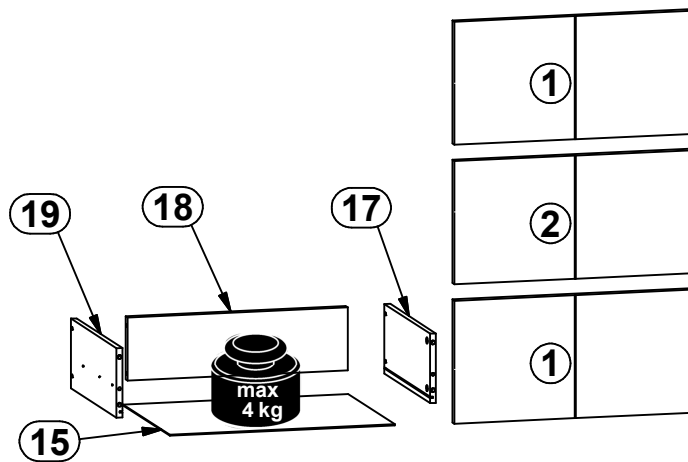
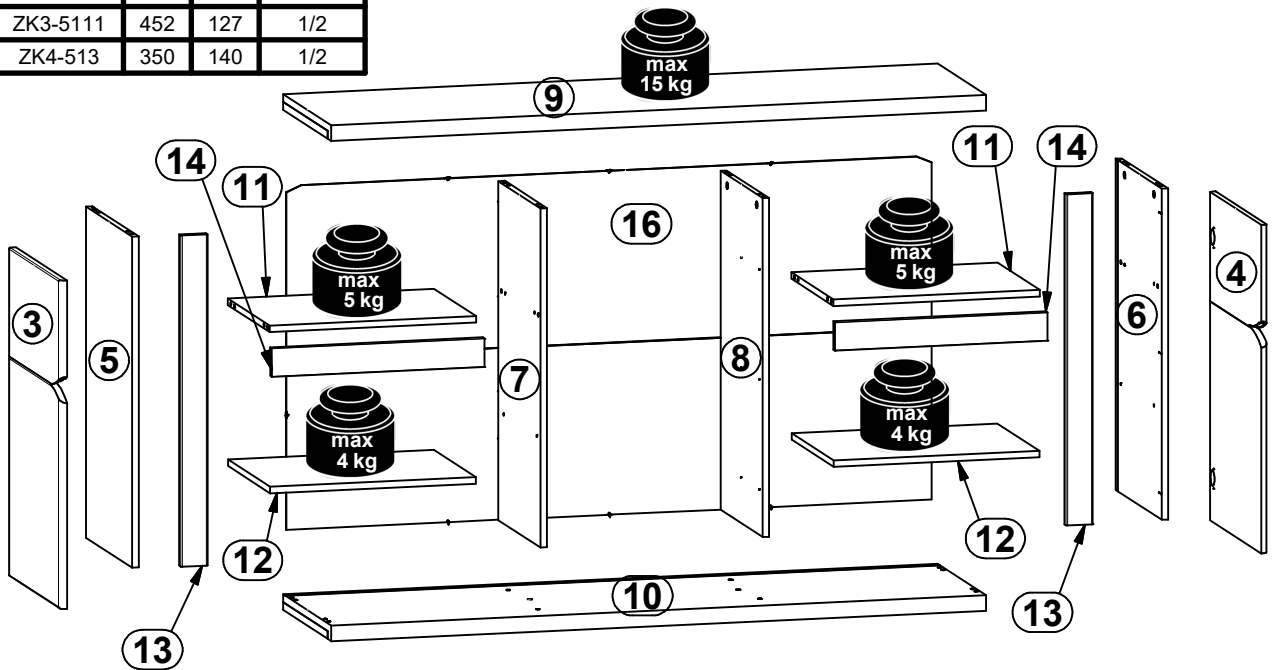
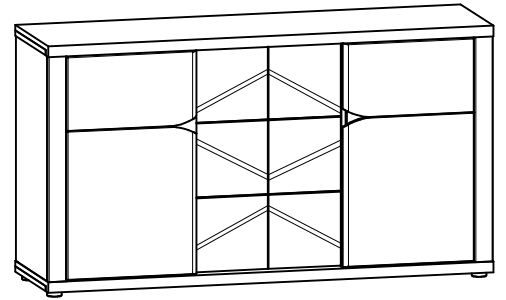


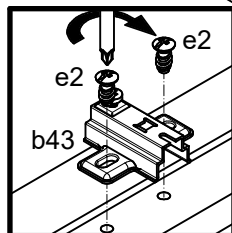
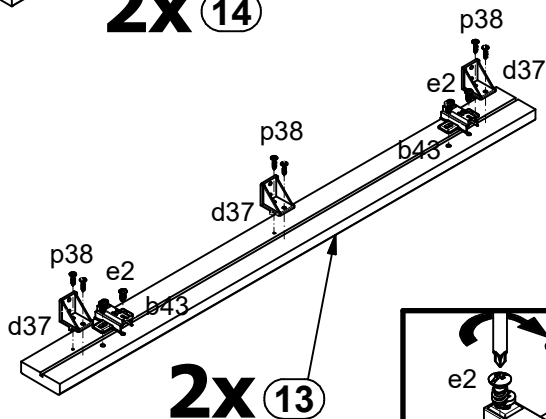
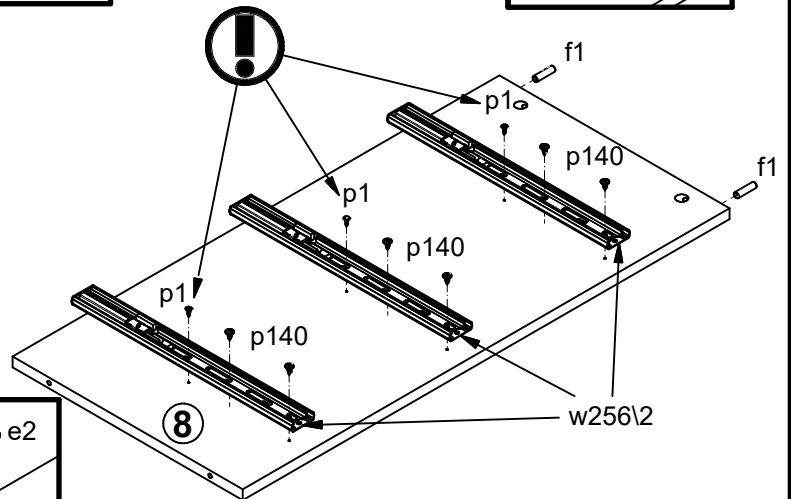
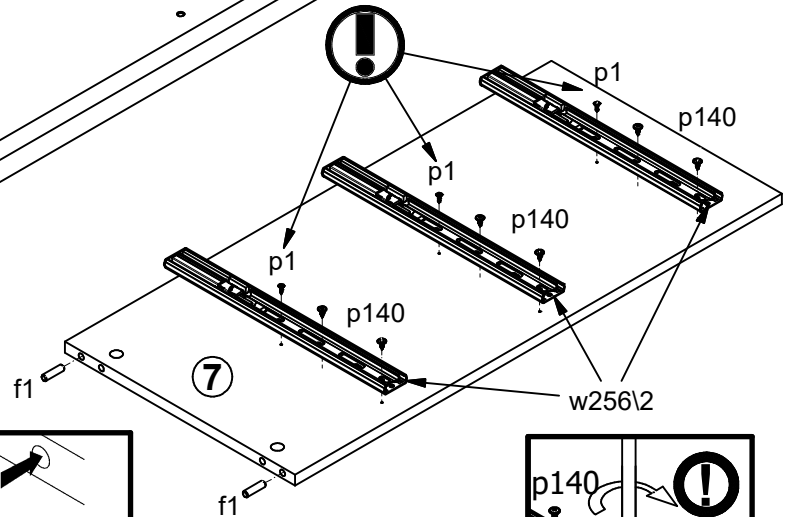
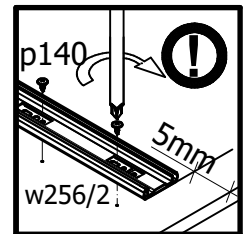
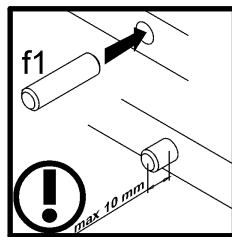
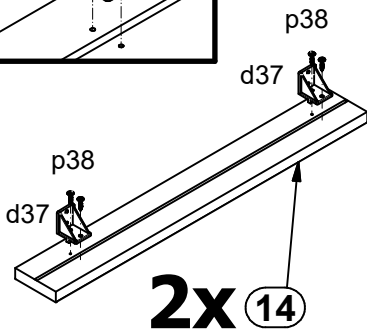
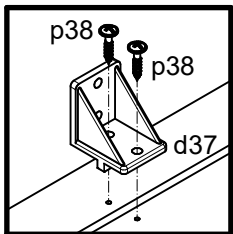
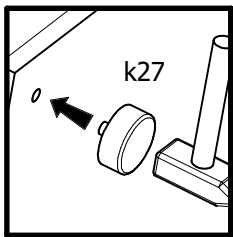
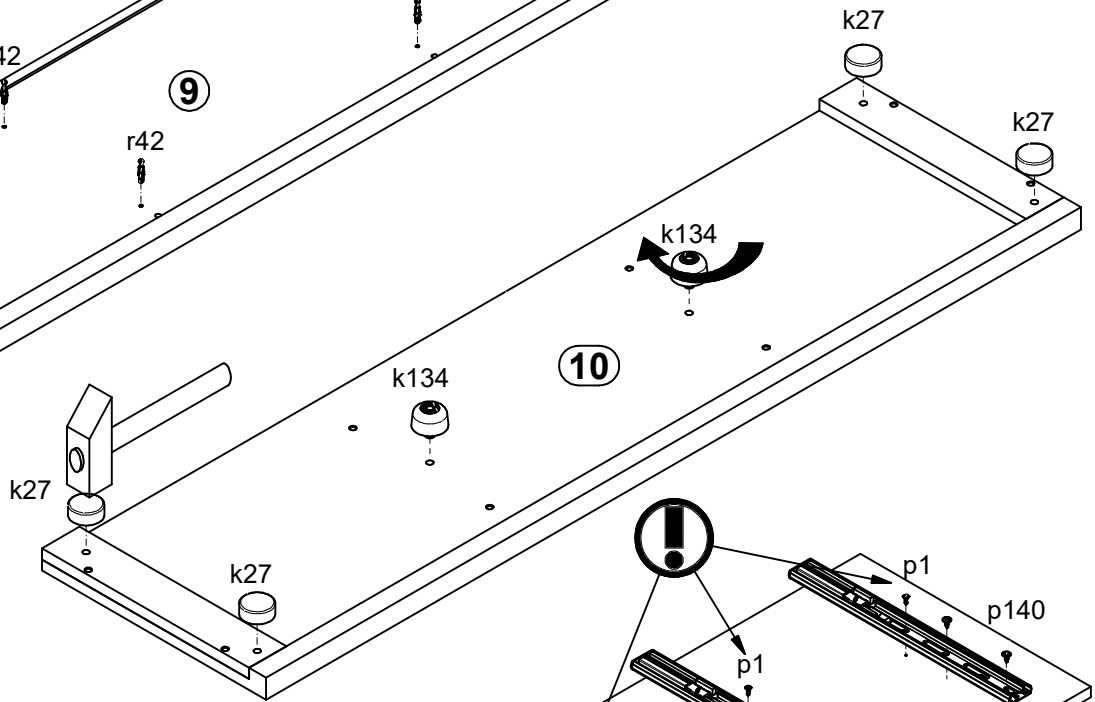
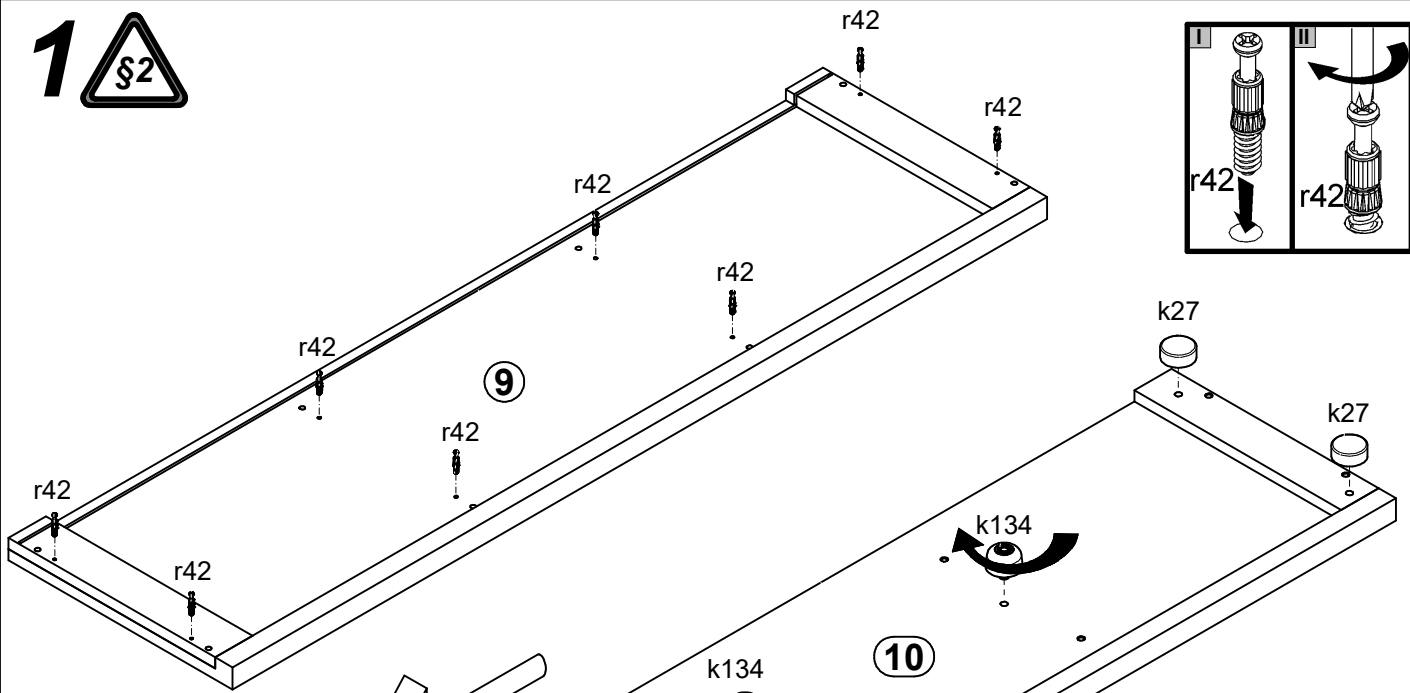
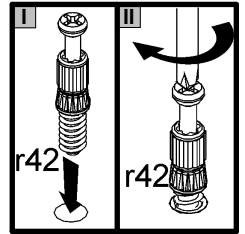
A	B	C	D
1	S458-0001	496	248
2	S458-0002	496	248
3	S458-0003	750	446
4	S458-0004	750	446
5	S458-1001	756	402
6	S458-1002	756	402
7	S458-1003	774	366
8	S458-1004	774	366
9	S458-2001	1524	419
10	S458-2002	1524	419
11	S458-3001	480	366
12	S458-3002	479	365
13	S458-5001	756	62
14	S458-5007	495	65
15	S458-9003	462	357
16	S458-9302	1502	785
17	ZK4-514	350	140
18	ZK3-5111	452	127
19	ZK4-513	350	140



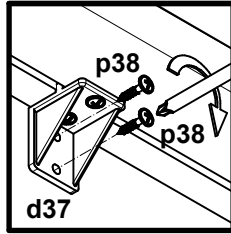
1x n26	1x p38 Ø3.5x16 mm
-----------	-------------------------

4x a132	2x a133	4x b43	8x d1 Ø5x17 mm	10x d37	4x e1 Ø7x50 mm	8x e2 Ø6.3x13 mm	4x e27 Ø7x70 mm	20x f1 Ø8x30 mm
6x f9 Ø6x30 mm	12x f25 Ø6.5x40 mm	4x k27	2x k134 Ø49x27/45mm	15x l1 1.4x20 mm	10x l2	6x p1 Ø3.5x13 mm	49x p38 Ø3.5x16 mm	8x p51 Ø3.5x15 mm
30x p140 Ø3.5x12 mm	16x r1 Ø15x12 mm #16	12x r15 Ø12x10.5 mm #12	28x r42 20/11	6x w256\1 L=350 mm	6x w256\2 L=350 mm	4x s68 Ø 20mm	1x z15 4 mm	

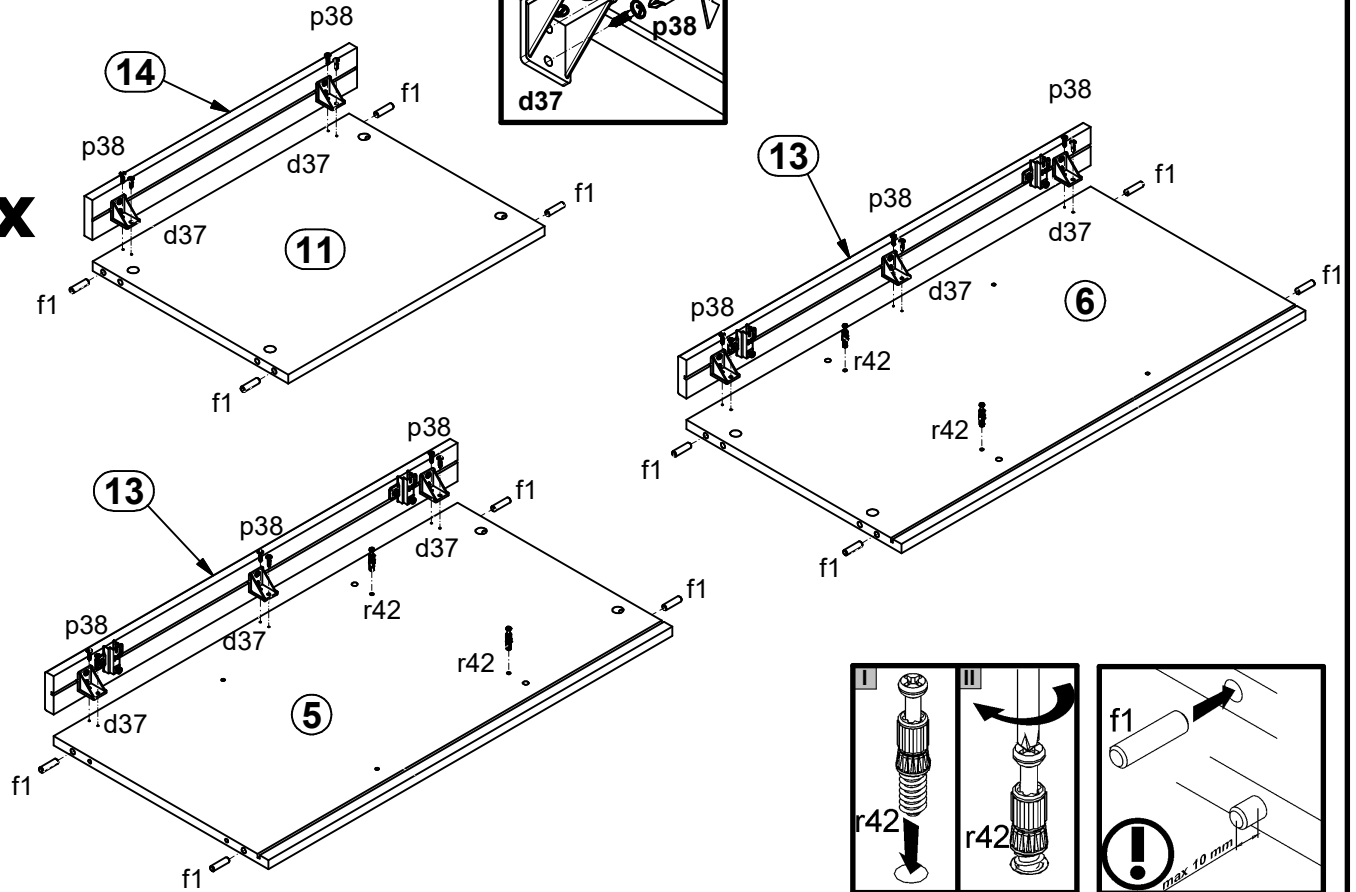
1 



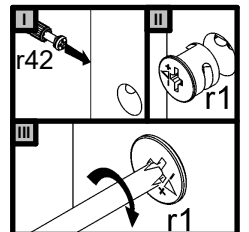
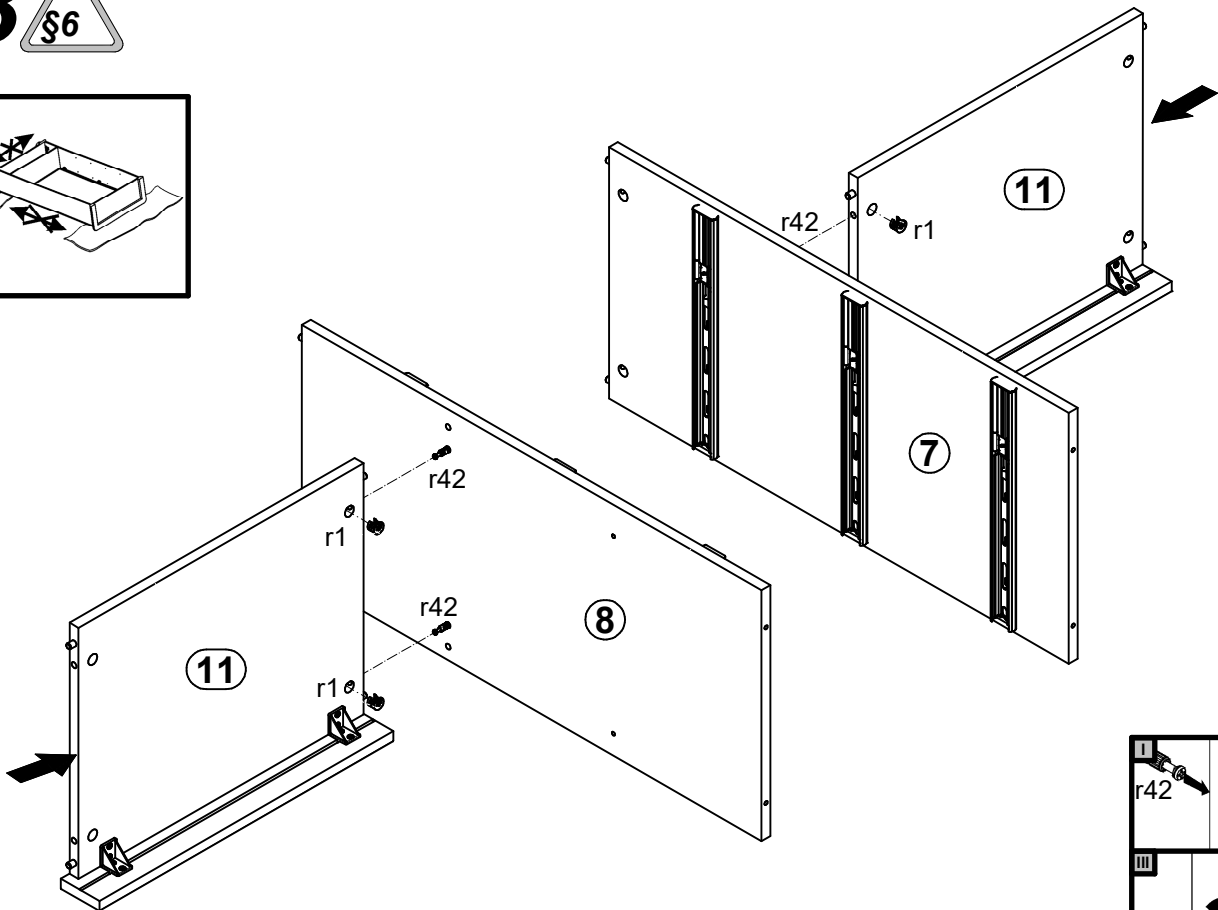
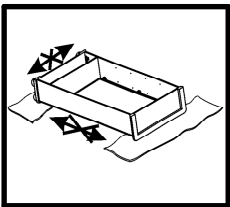
2 §2 §6



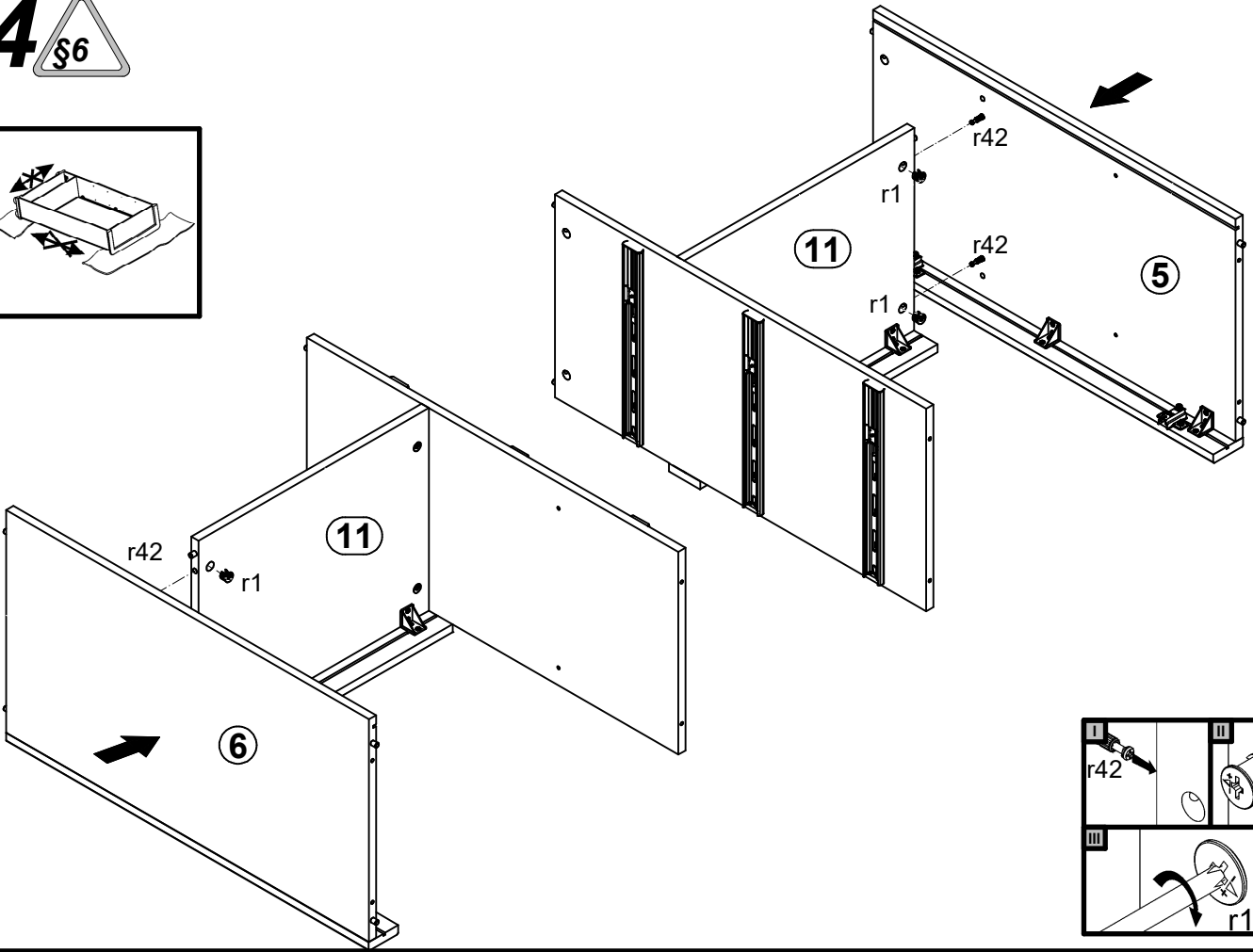
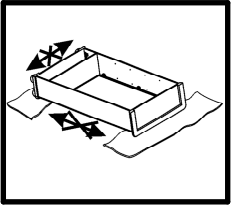
2x



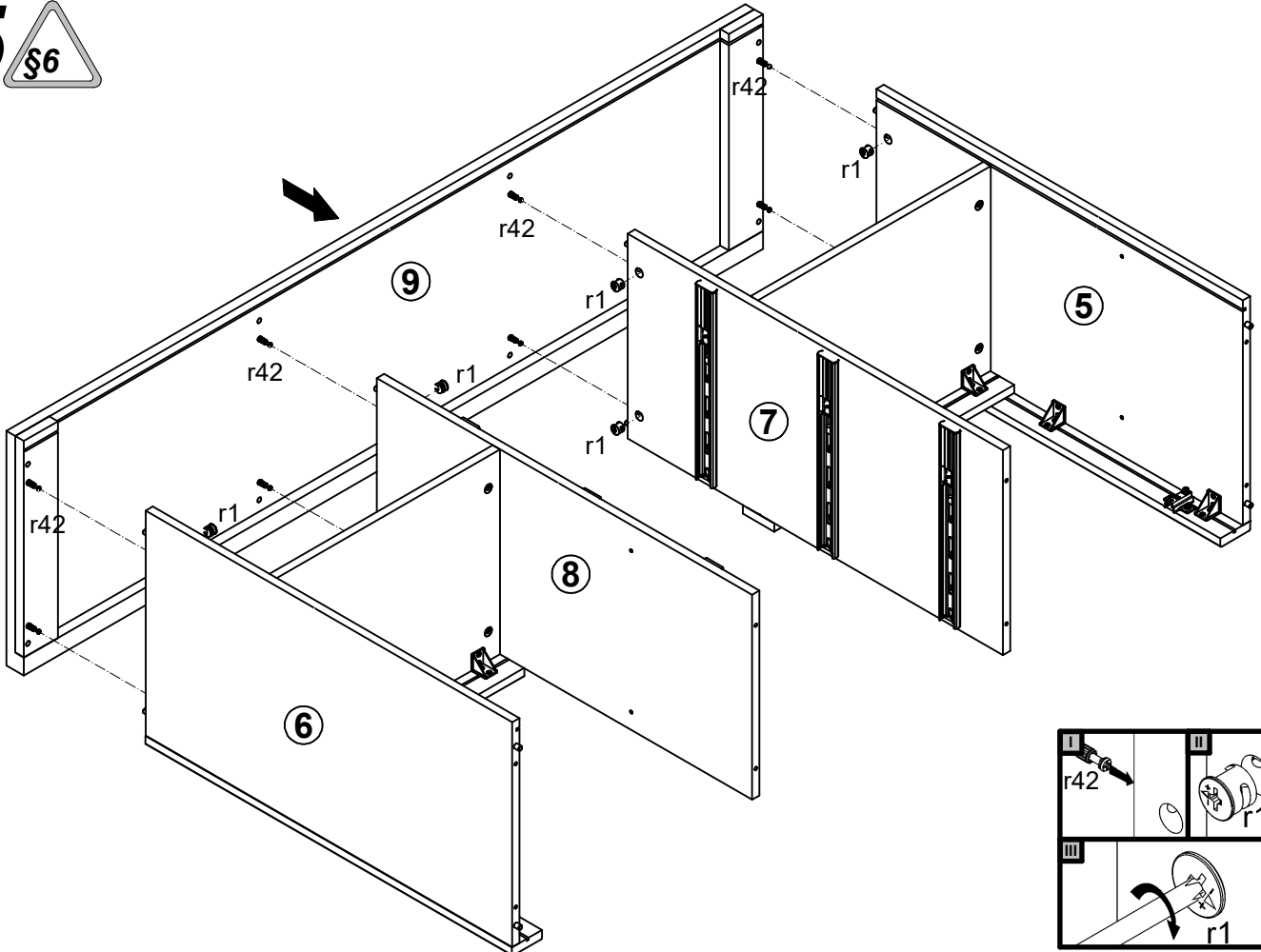
3 §6



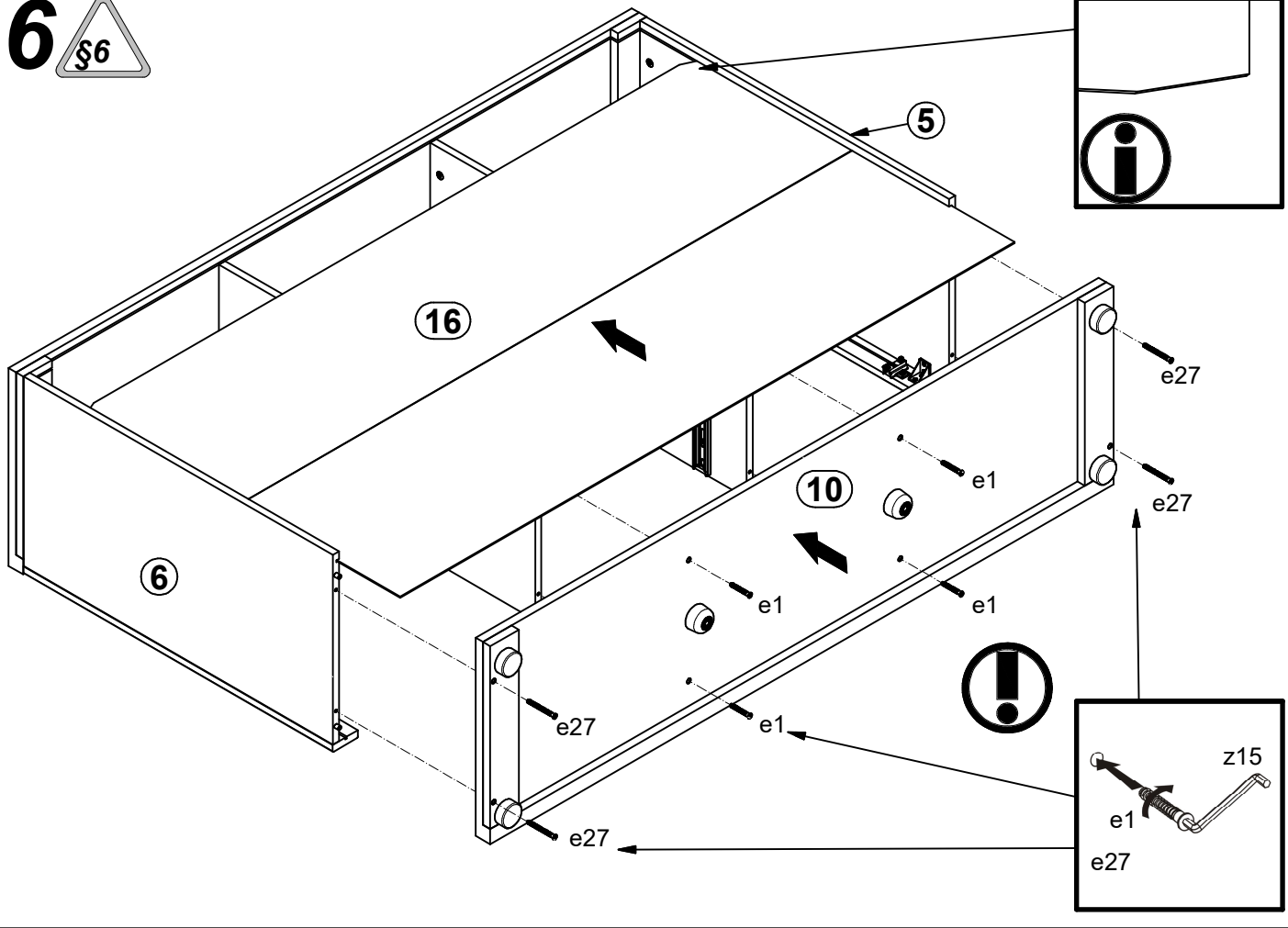
4 §6



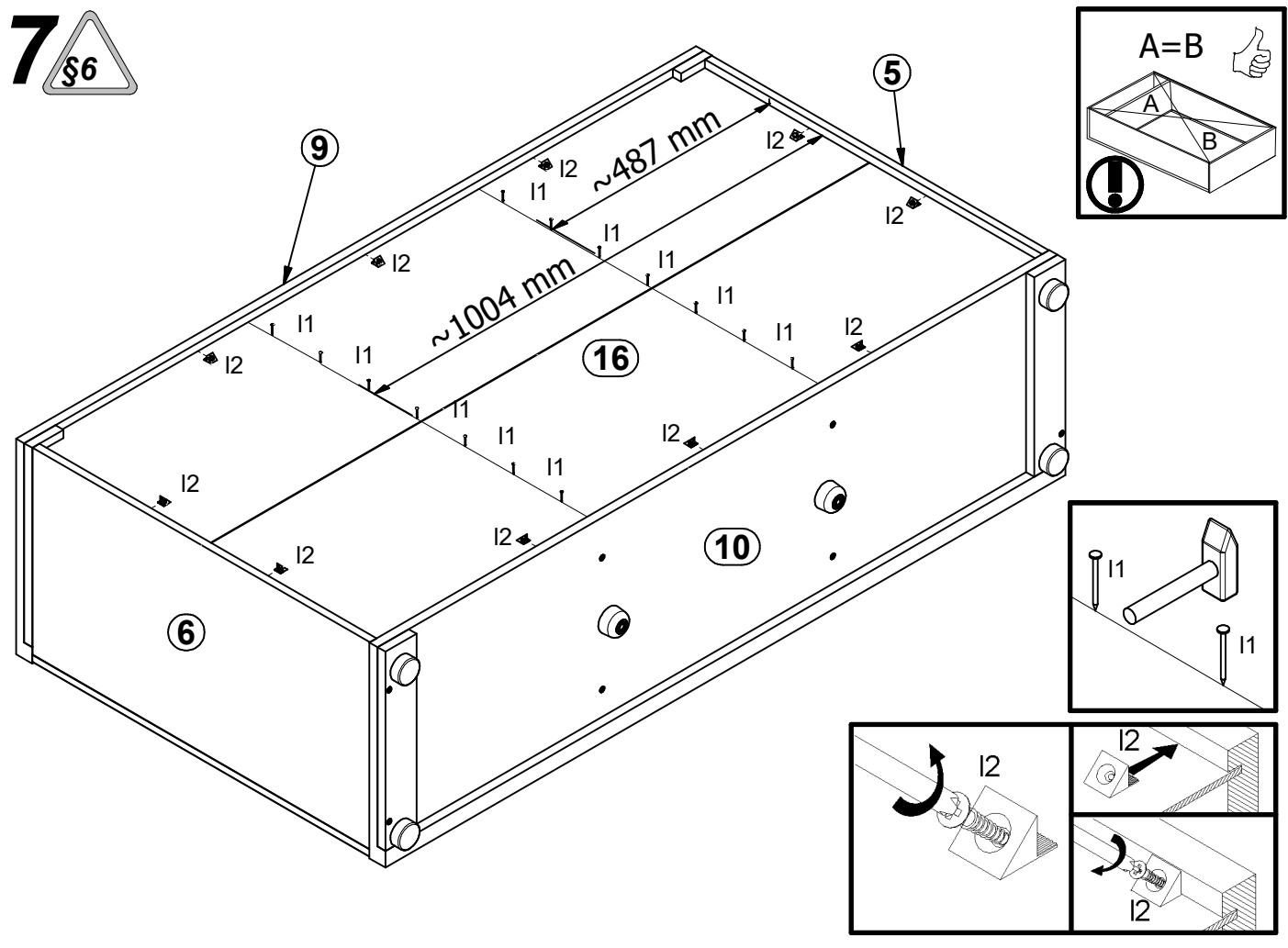
5 §6



6 §6

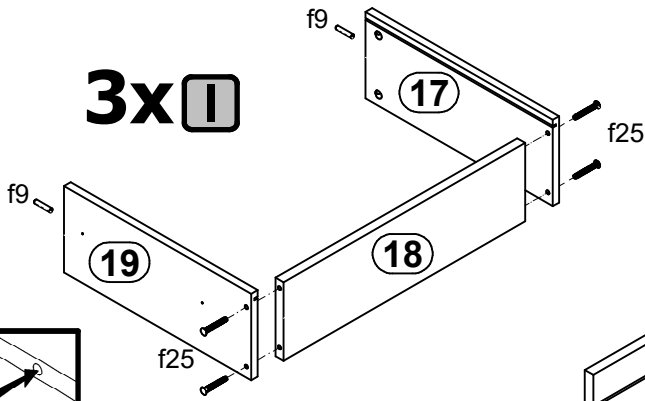


7 §6

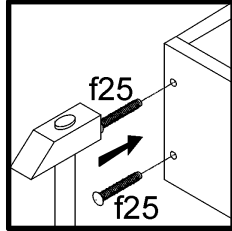
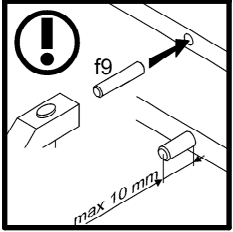
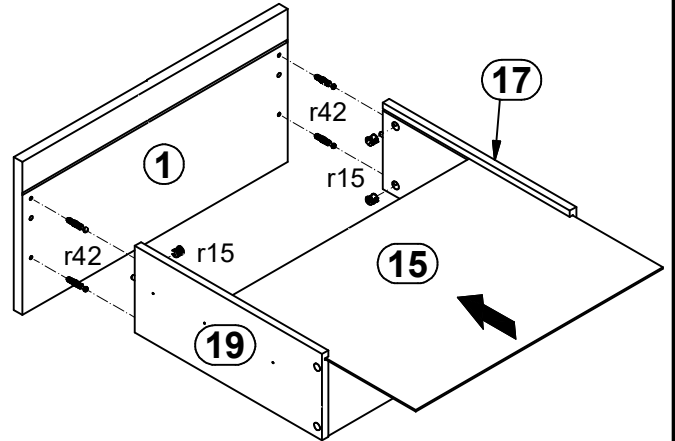


8 

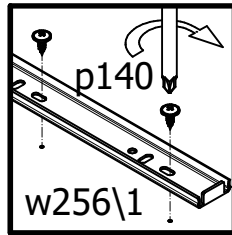
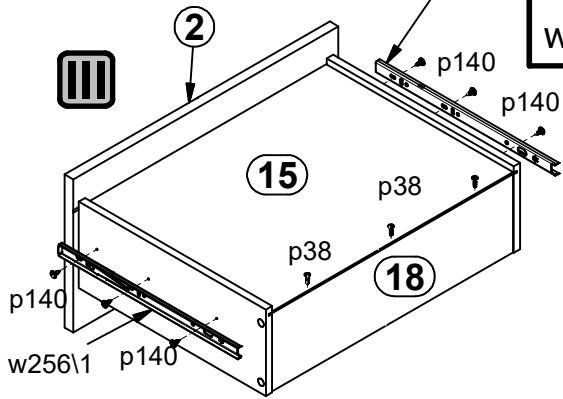
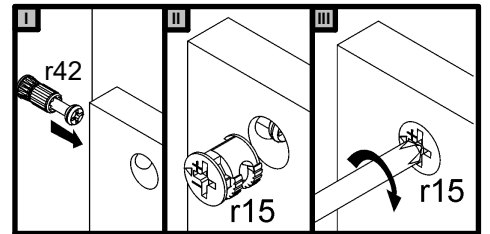
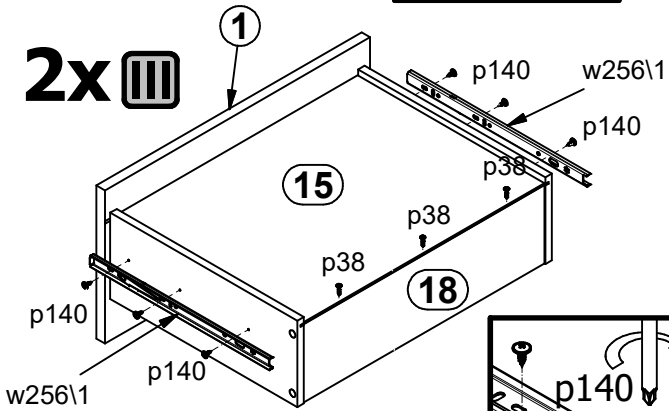
3x 



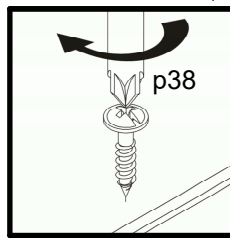
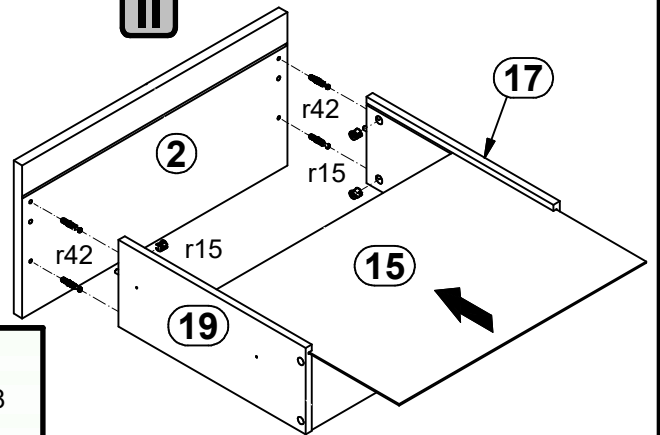
2x 



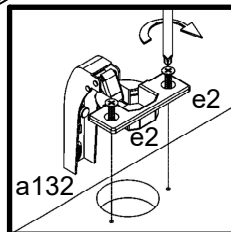
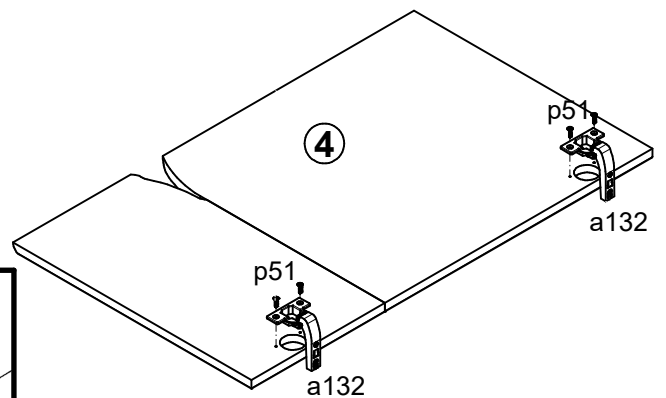
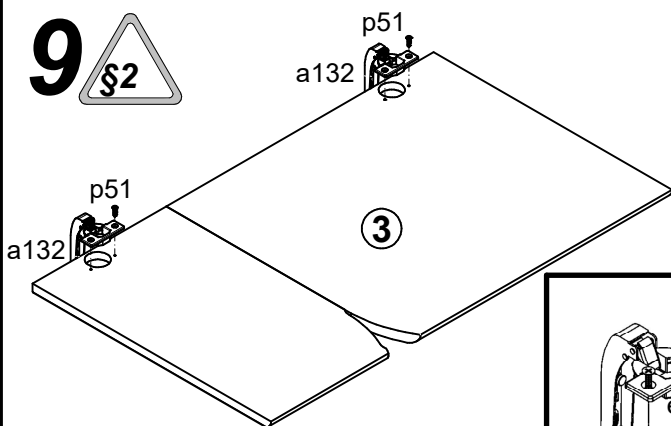
2x 



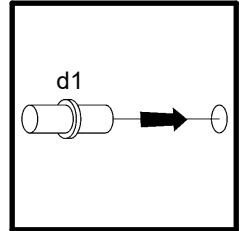
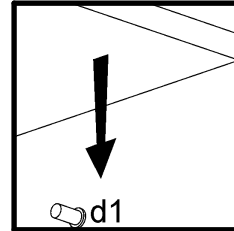
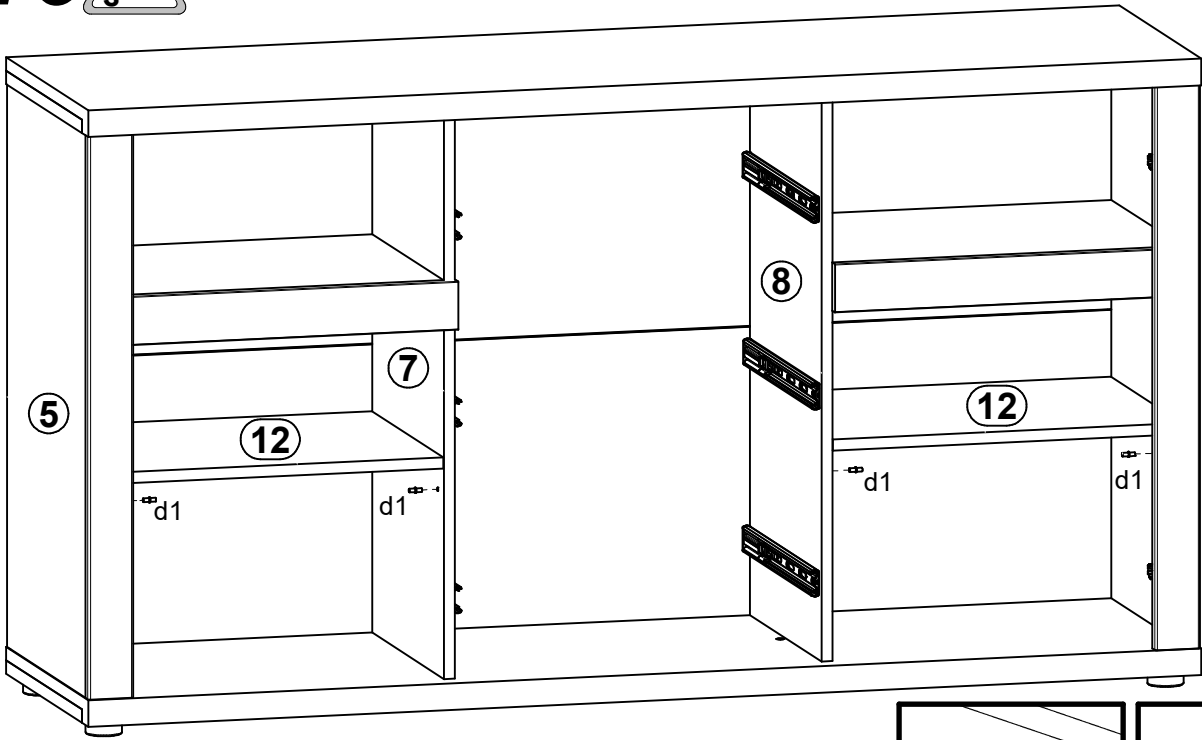




9 



10



11

