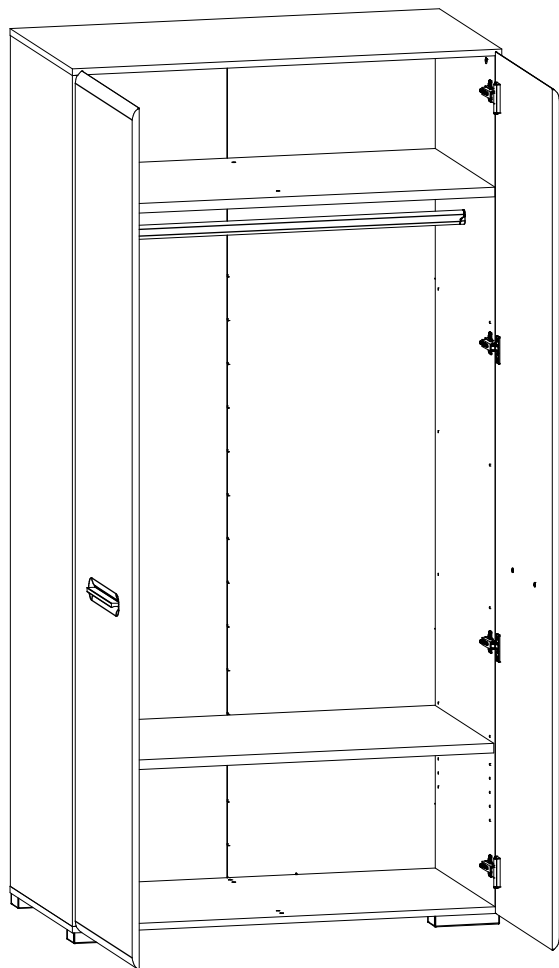
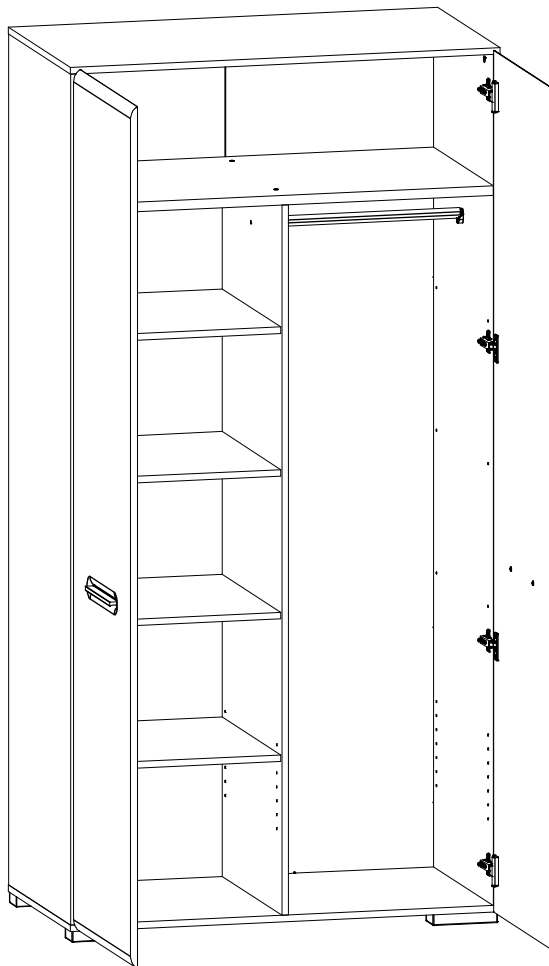




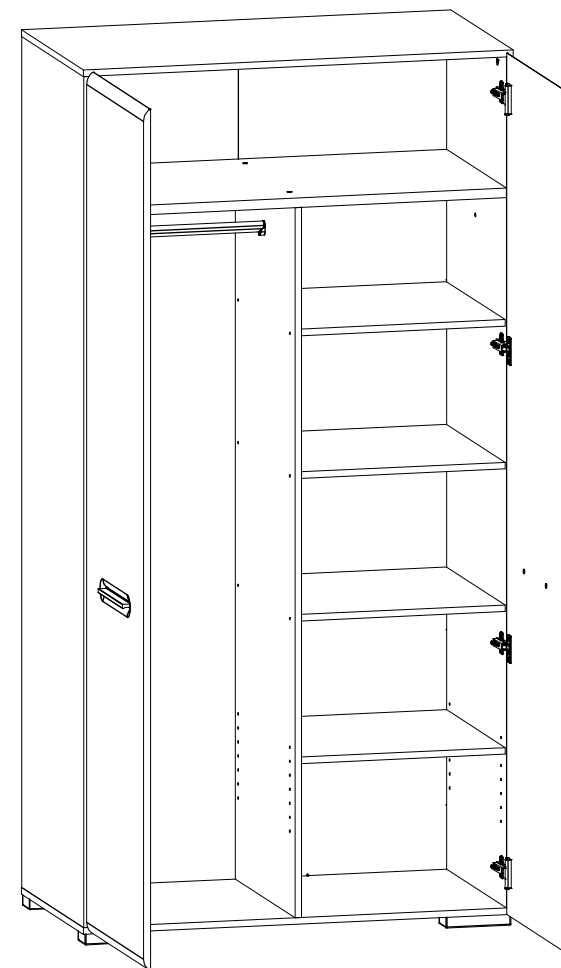
A



B



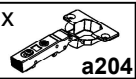


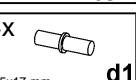
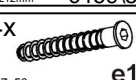
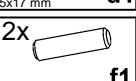

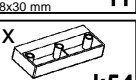

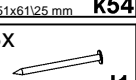


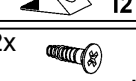

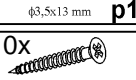
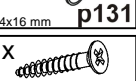
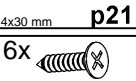
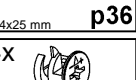
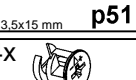
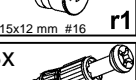
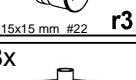

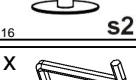




C

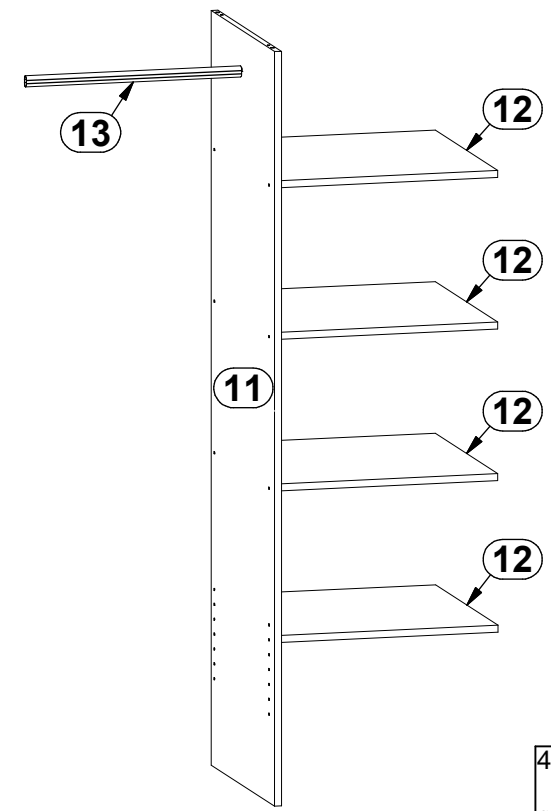
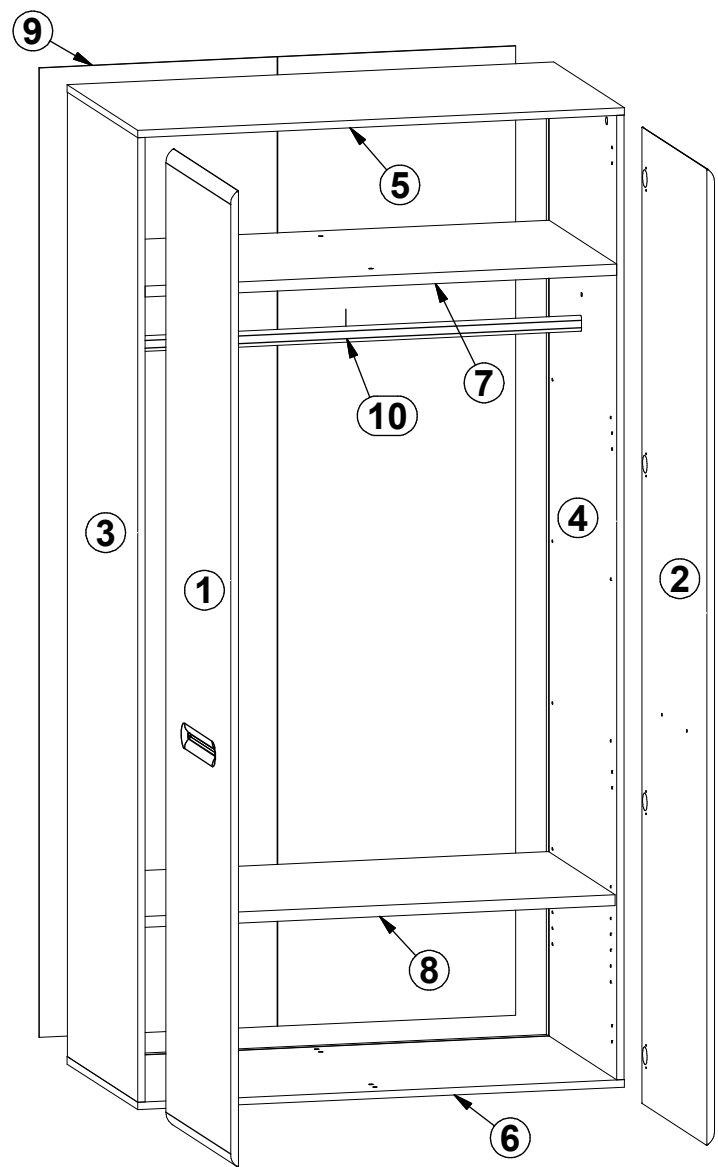



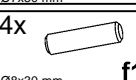
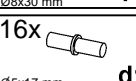
A S513-SZF2D/20/10

A	B	C1	C2	C3	D	A	B	C1	C2	C3	D
1	S513-0001	1969	496	16	3/3	6	S513-2002	1001	540	15	1/3
2	S513-0002	1969	496	16	3/3	7	S513-3001	970	520	22	1/3
3	S513-1001	1945	540	15	2/3	8	S513-3002	969	510	22	1/3
4	S513-1002	1945	540	15	2/3	9	S513-9301	1955	979	2,5	3/3
5	S513-2001	1001	540	15	1/3	10	dr-966	966	30	15	1/3

A	B	C1	C2	C3	D
11	S513-1003	1623	520	15	1/1
12	S513-3003	477	510	15	1/1
13	dr-472	472	22	15	1/1

- 8x  a204
- 8x  b91
- 2x  c469/5
- 4x  d1
- 4x  e1
- 12x  f1
- 1x  k53
- 2x  k54
- 2x  k55/1
- 8x  l1
- 14x  l2
- 2x  n158
- 2x  p1
- 4x  p131
- 10x  p21
- 1x  p36
- 16x  p51
- 4x  r1
- 4x  r3
- 8x  r42
- 8x  s2
- 12x  s59
- 1x  z1
- 1x  f35
- 1x  n14/2
- 1x  p17
- 2x  p38

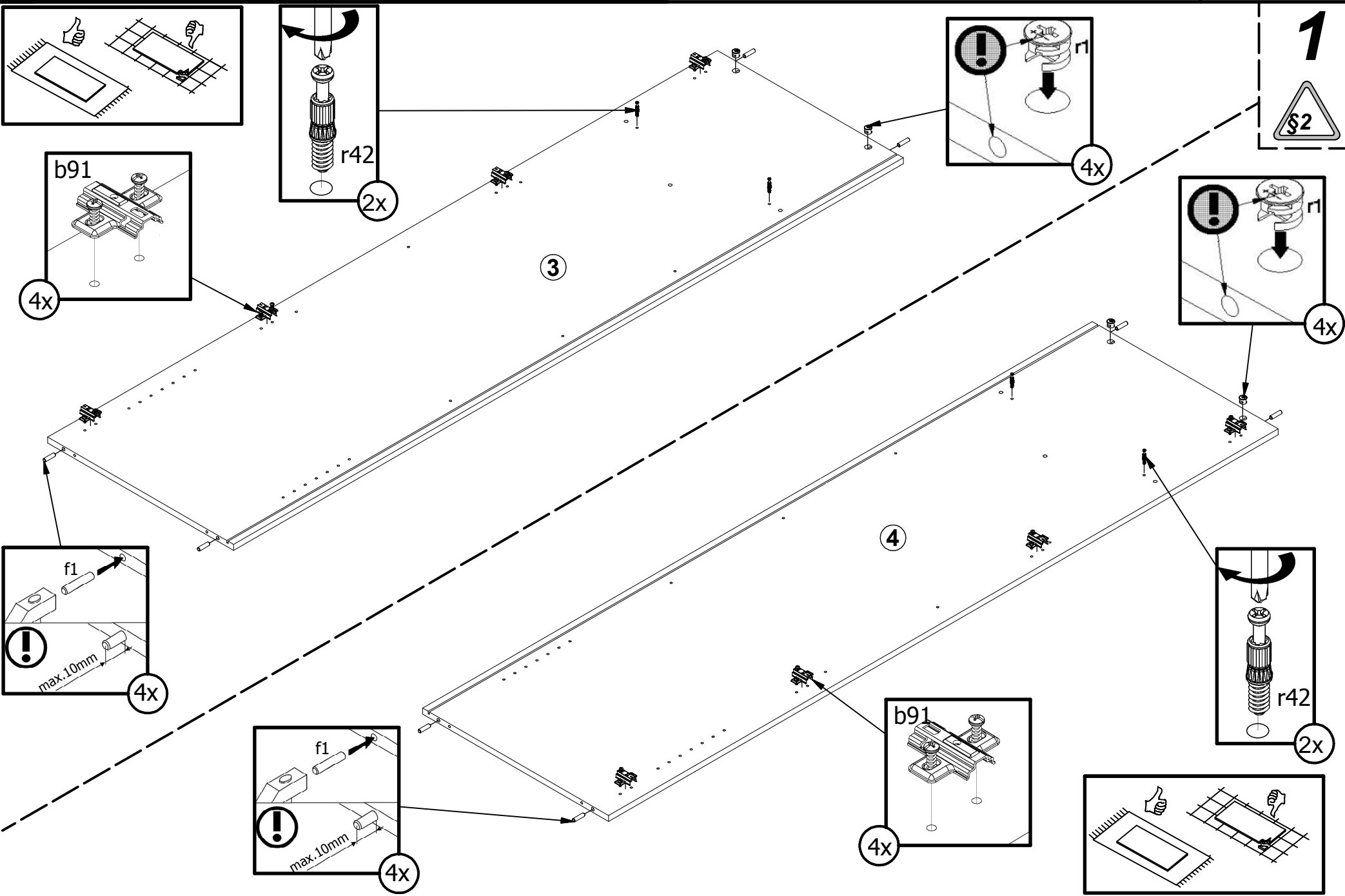


- 4x  e1
- 4x  f1
- 16x  d1

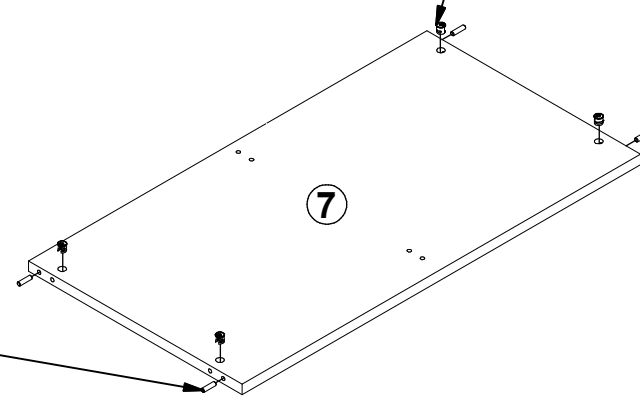
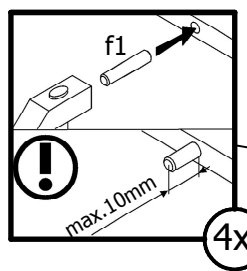
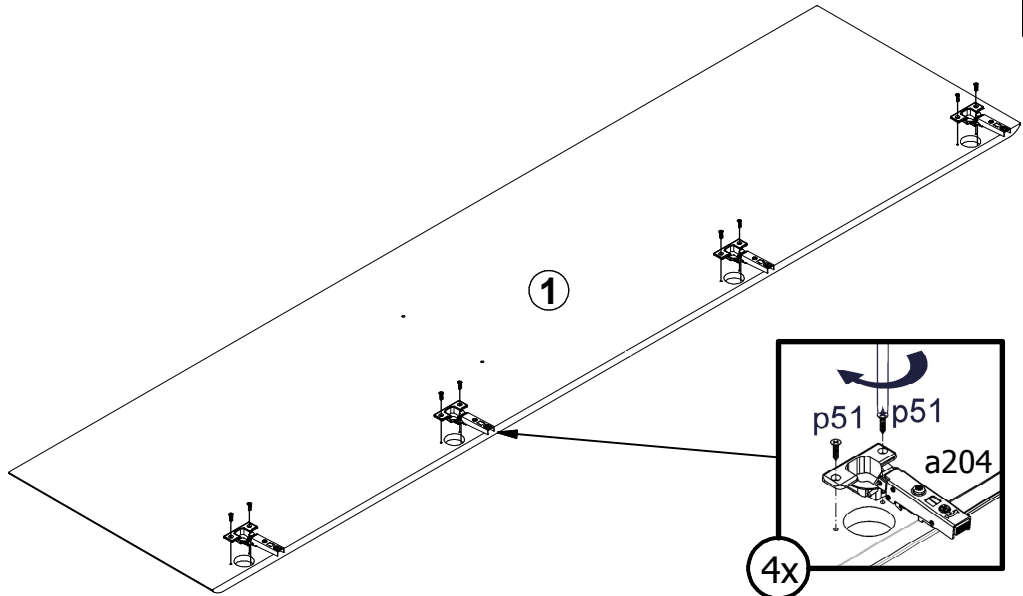
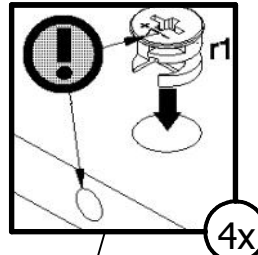
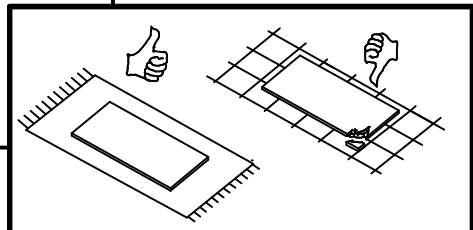
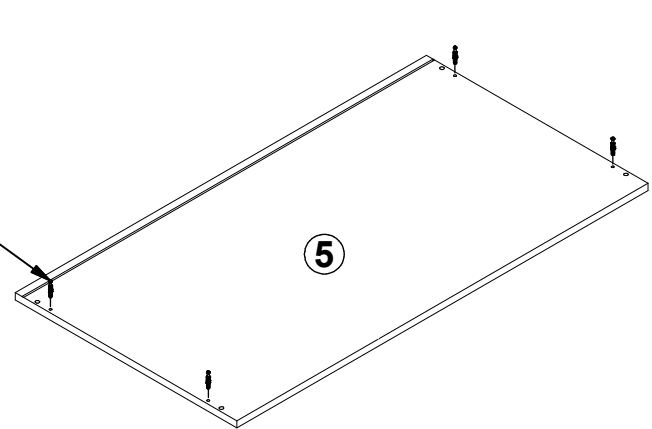
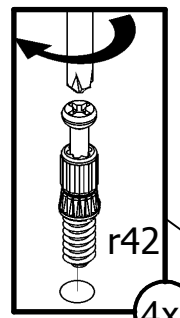
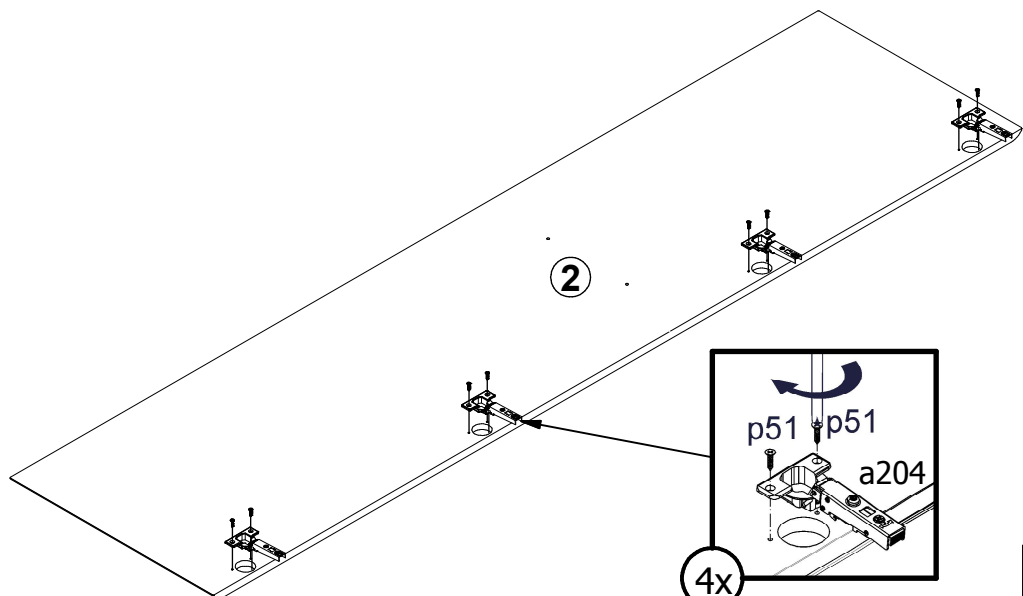


A

S513-SZF2D/20/10

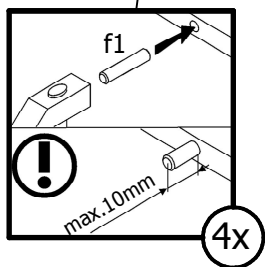
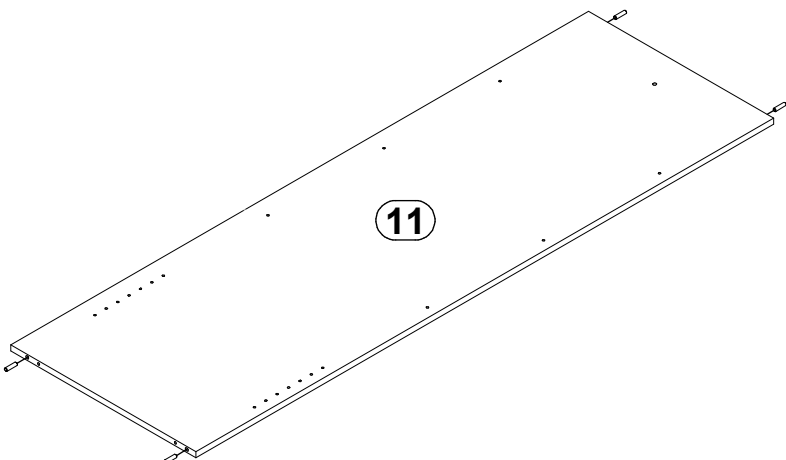


1
\$2



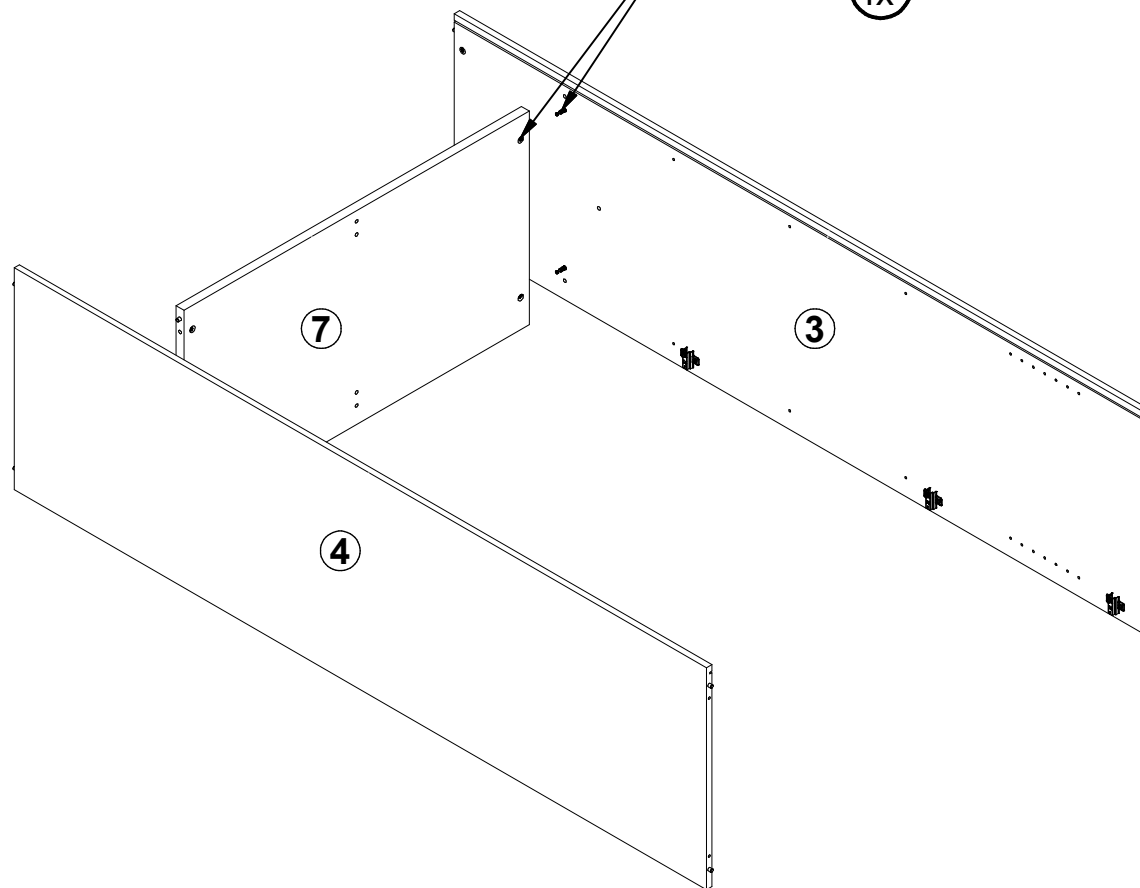
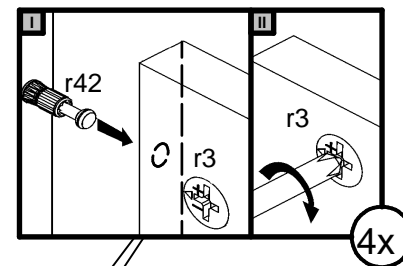


B,C



A,B,C

2





A



B,C

3

3

4

6

3

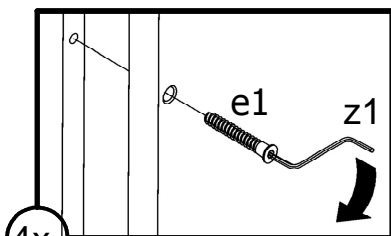
7

3

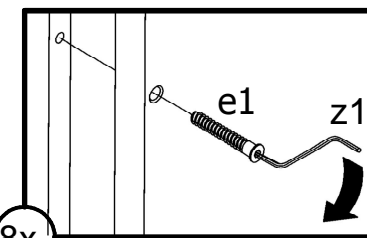
11

4

6

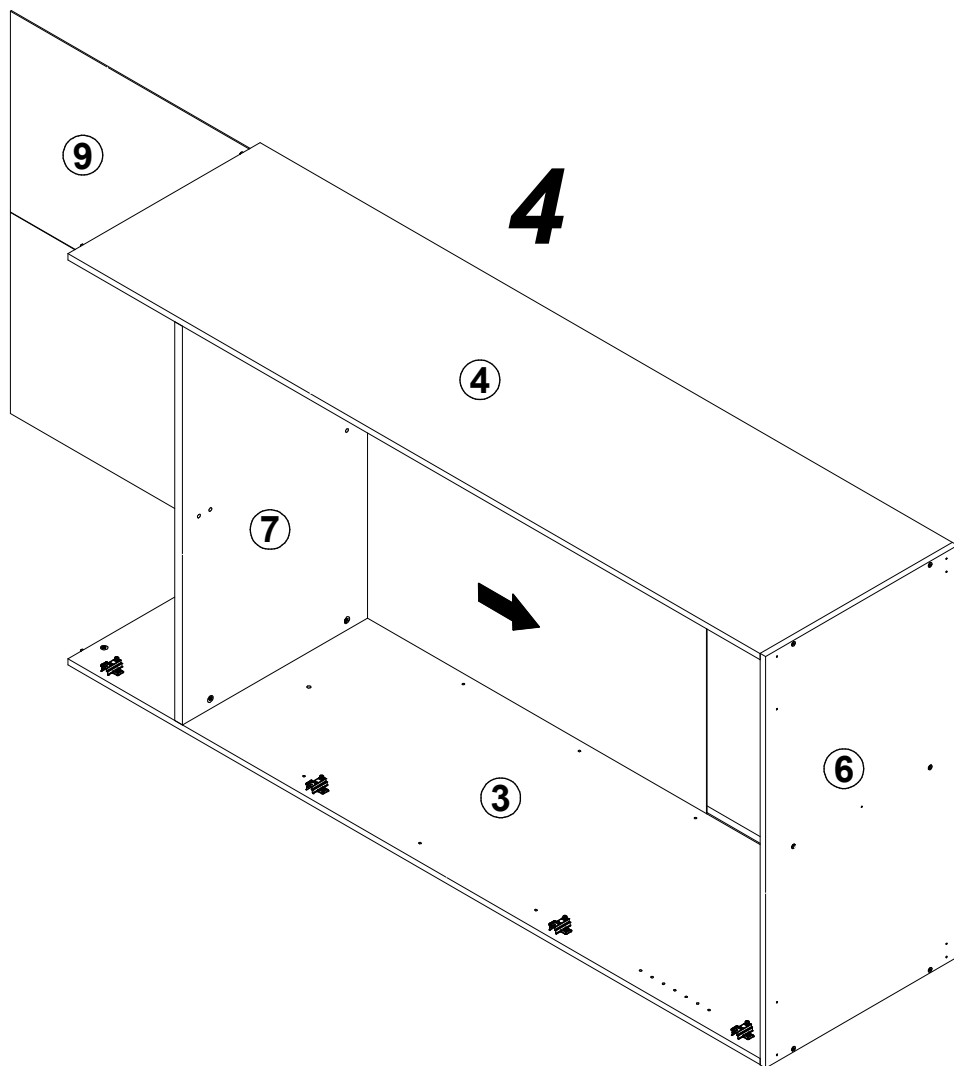


4x

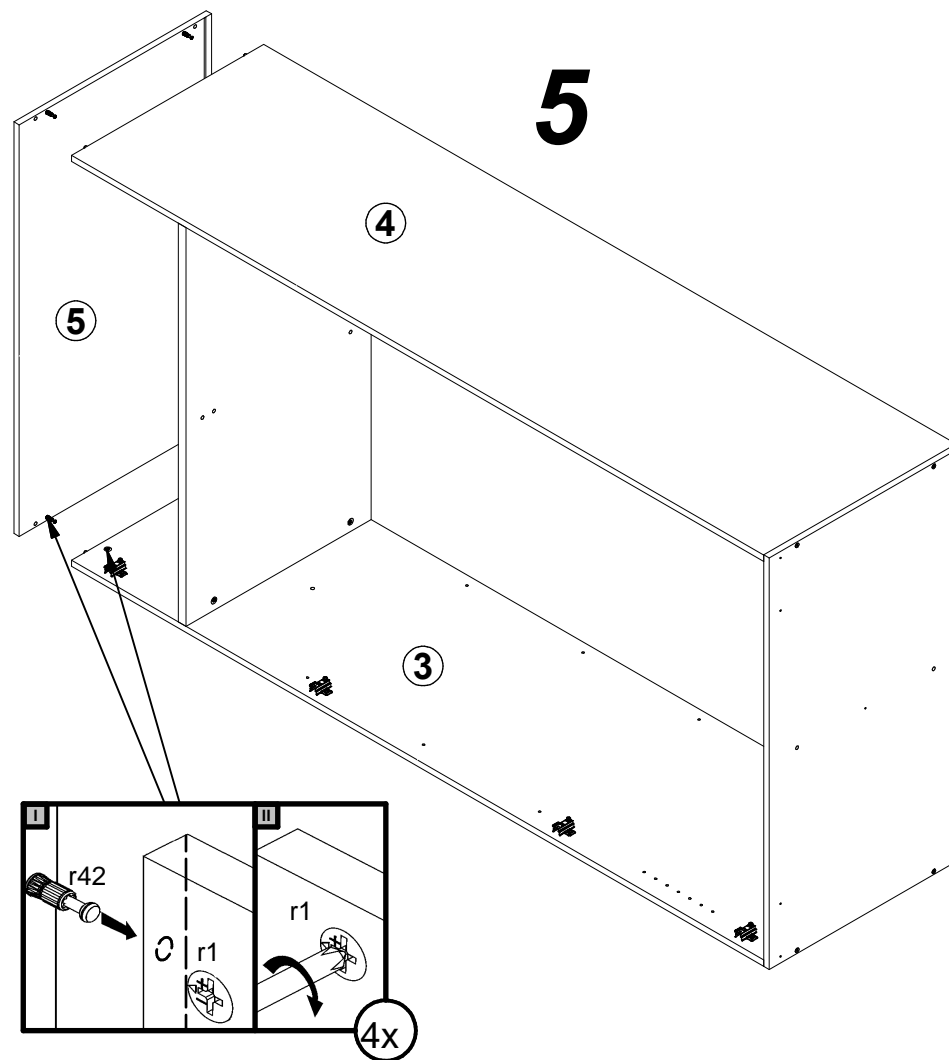


8x

A,B,C



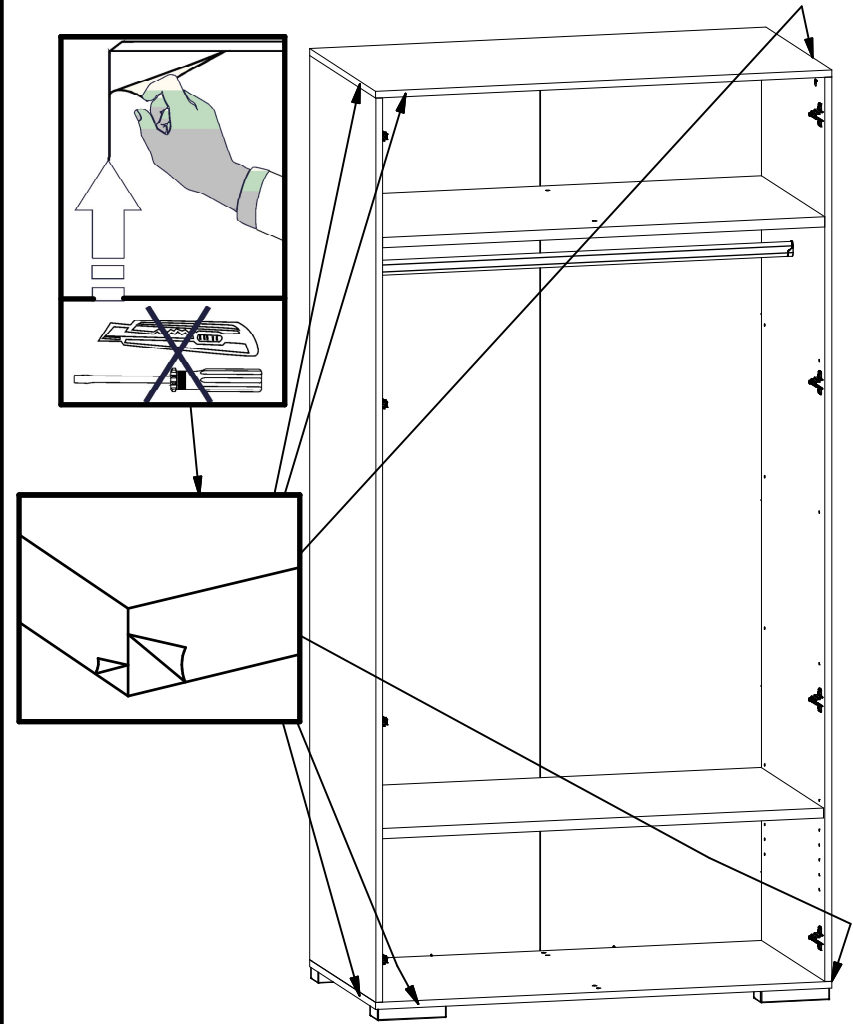
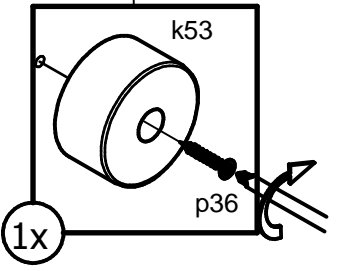
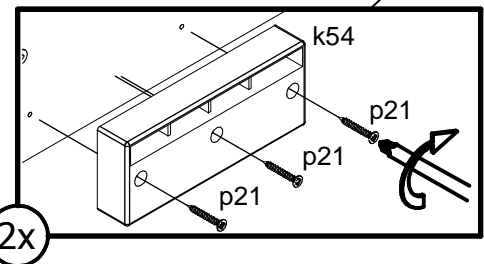
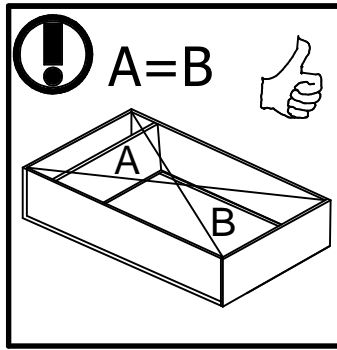
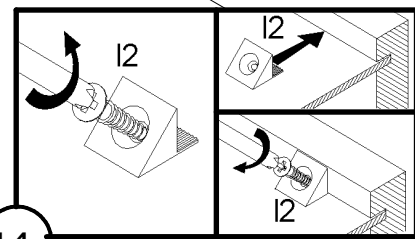
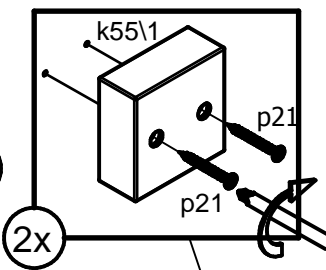
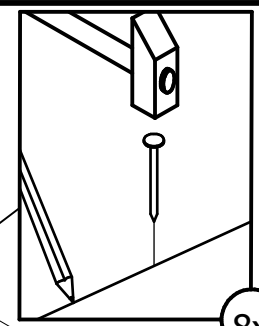
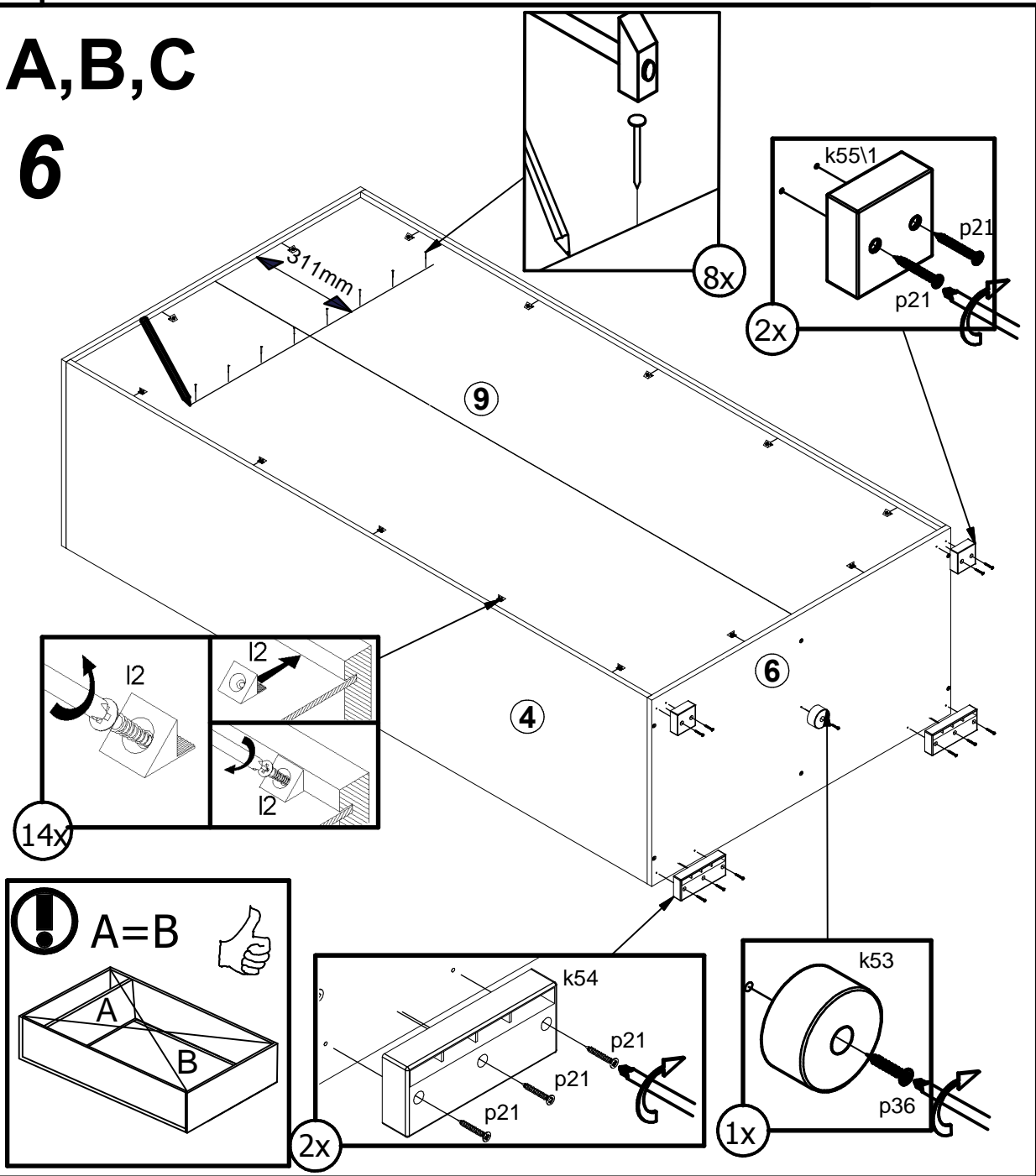
A,B,C



A, B, C

6

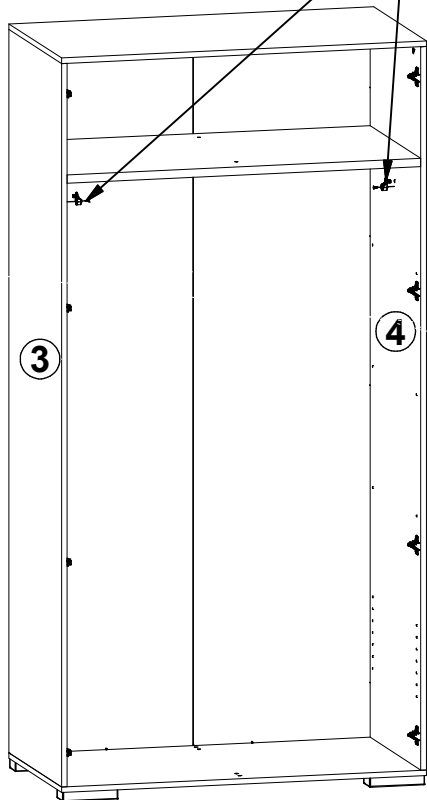
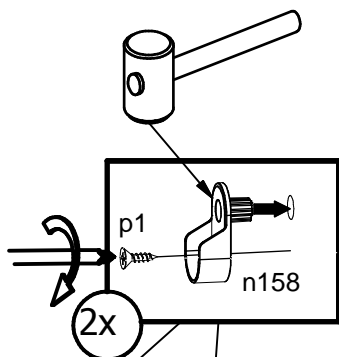
7





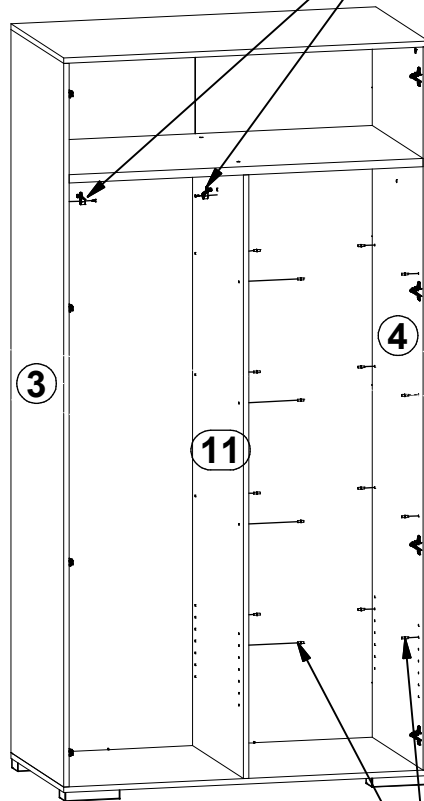
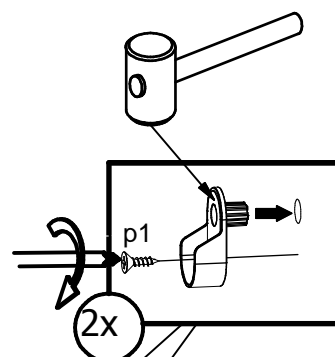
A

8



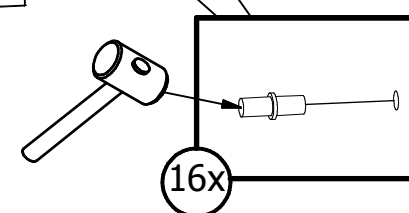
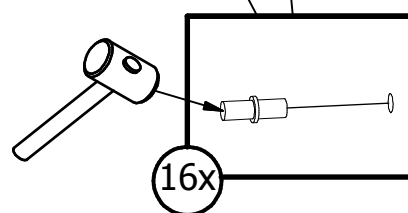
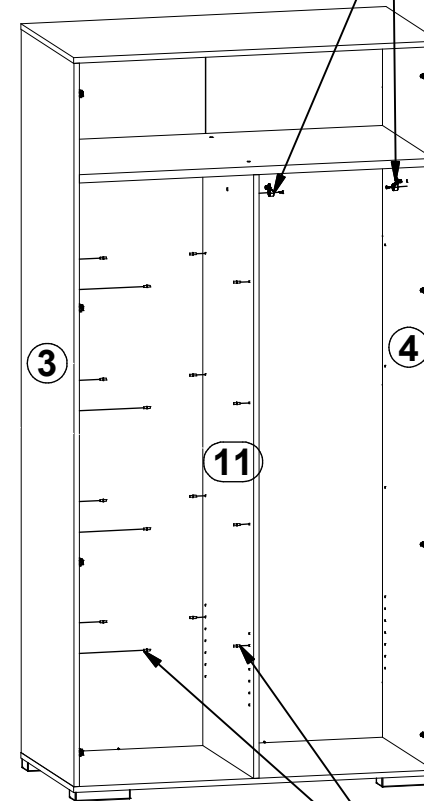
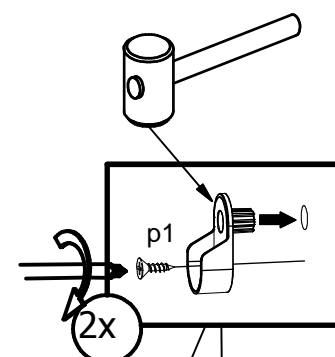
B

8



C

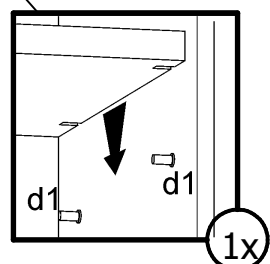
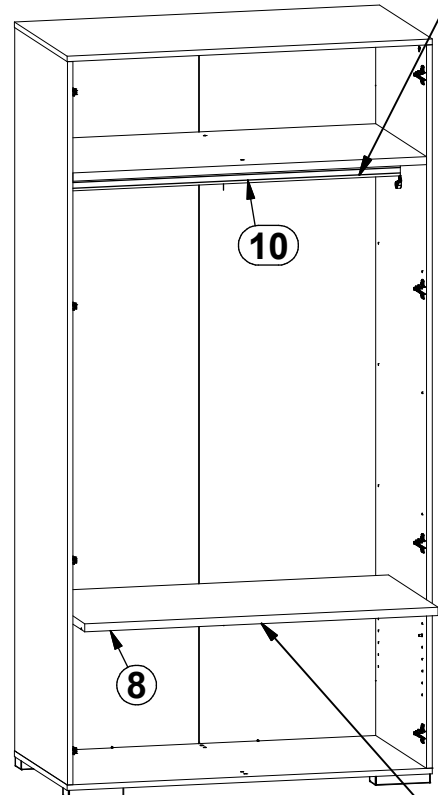
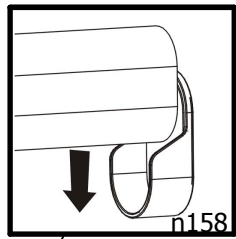
8





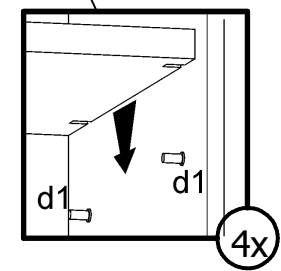
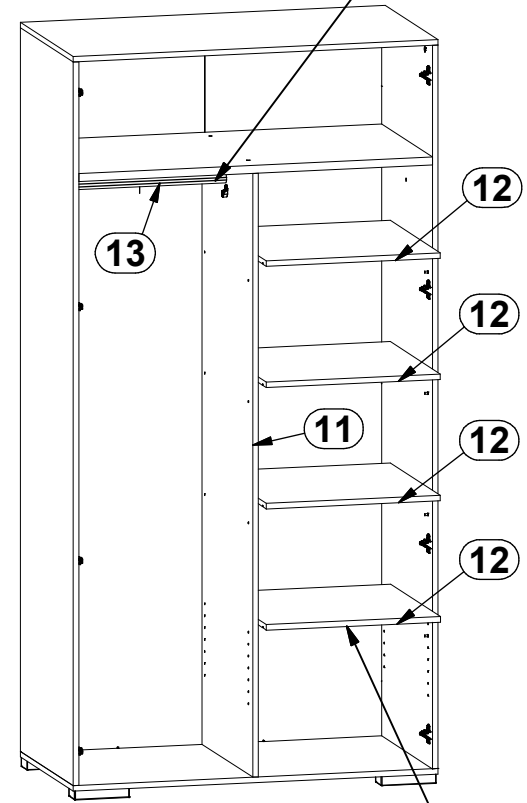
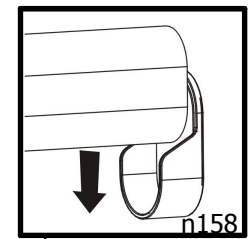
A

9



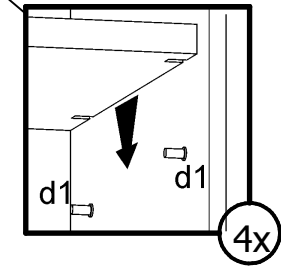
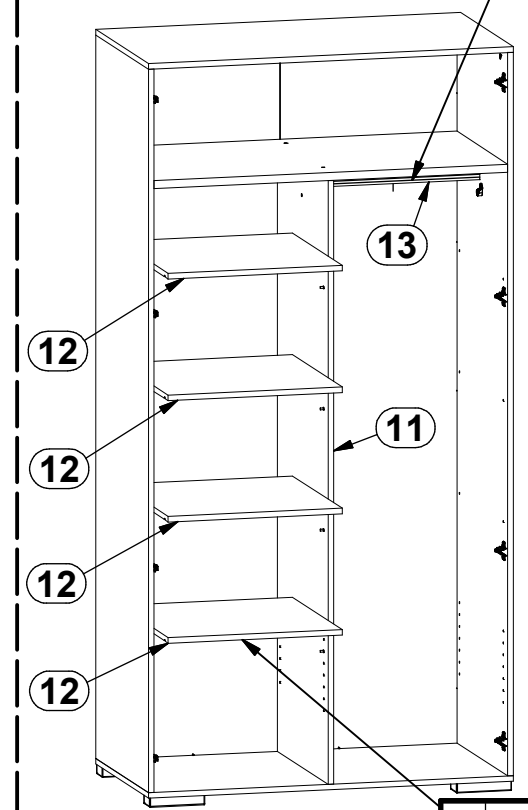
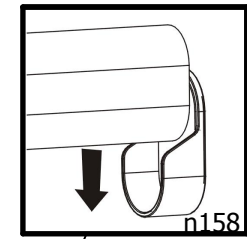
B

9



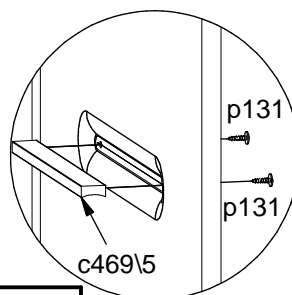
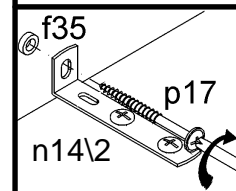
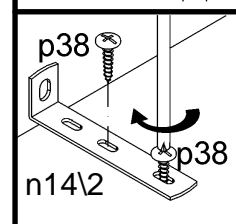
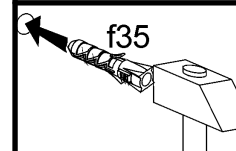
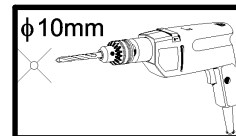
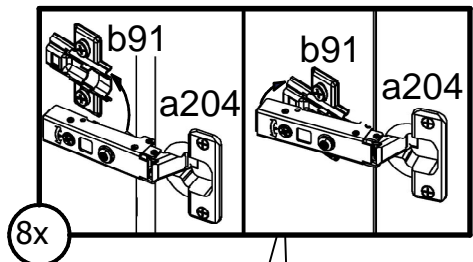
C

9



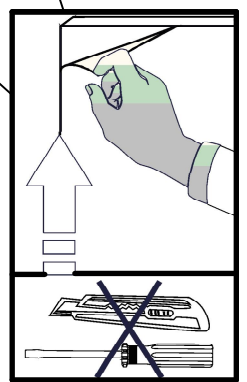
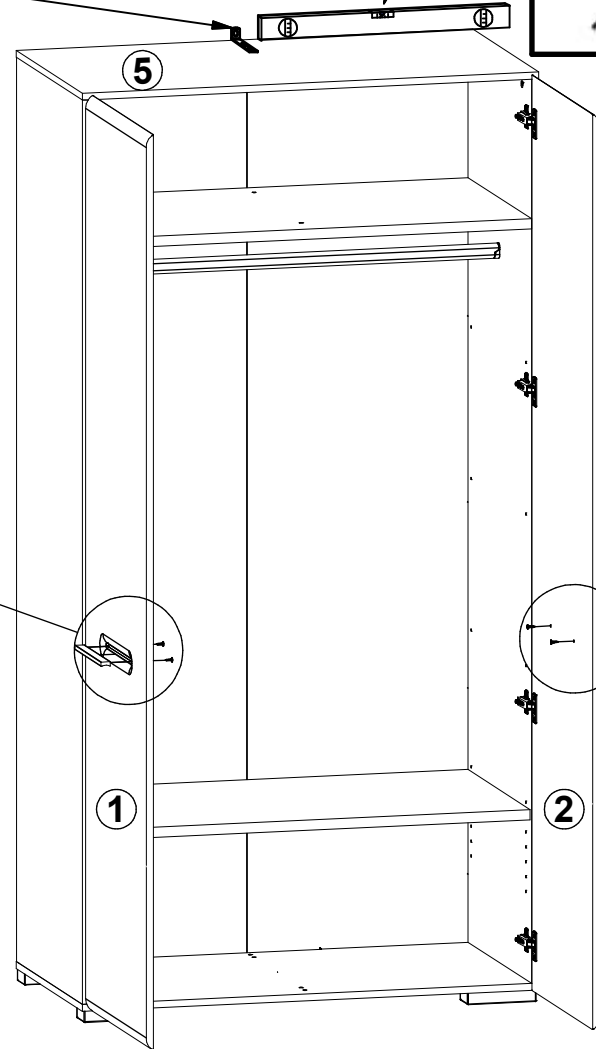
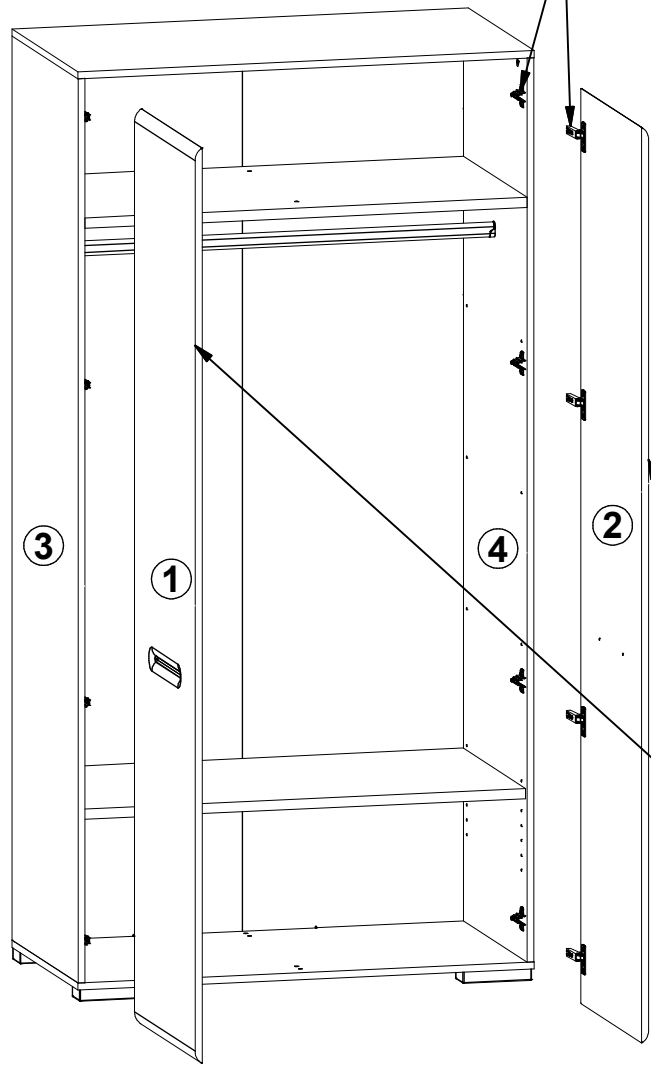
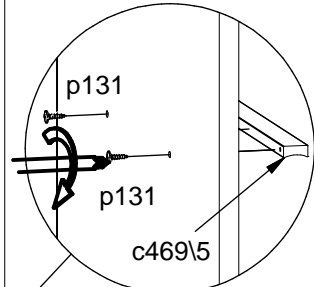
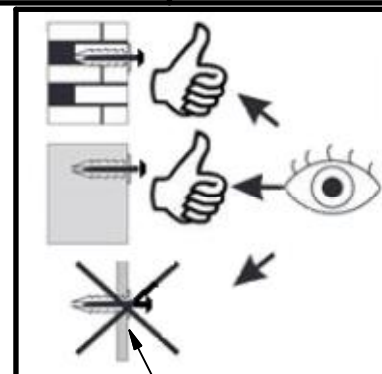
A,B,C

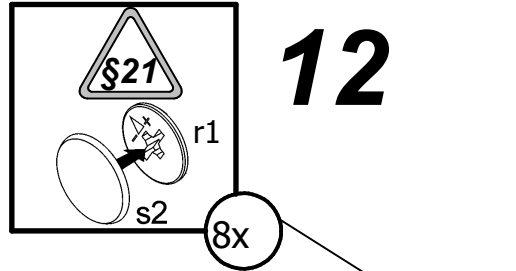
10



A,B,C

11





12

