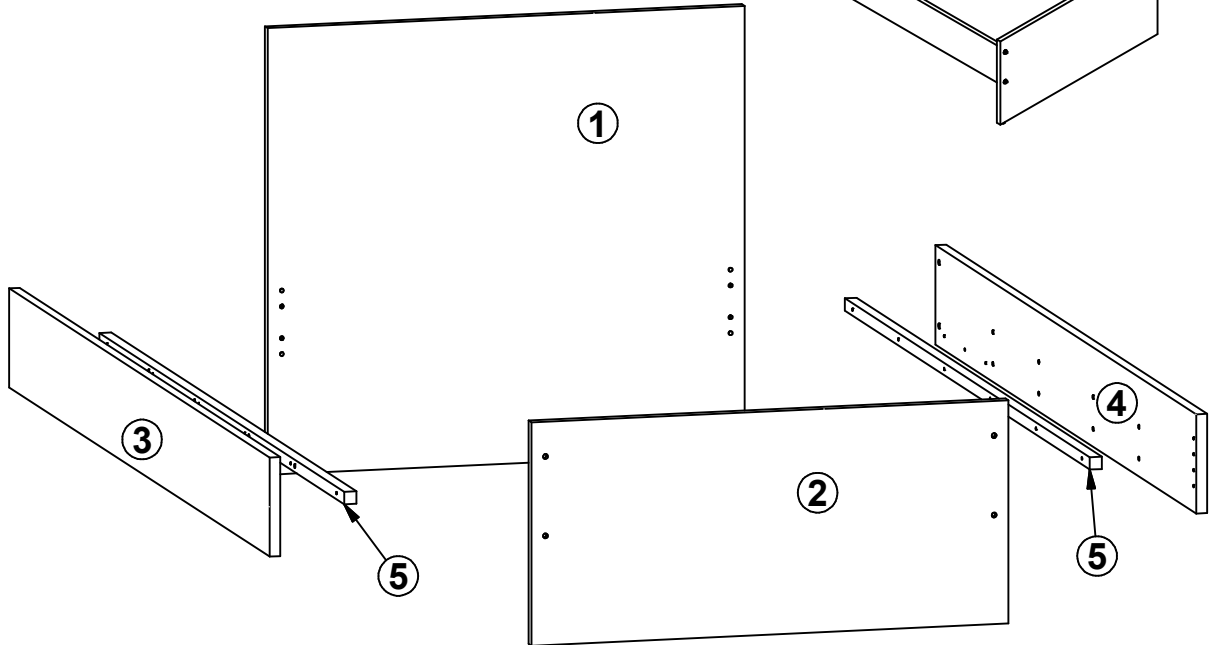
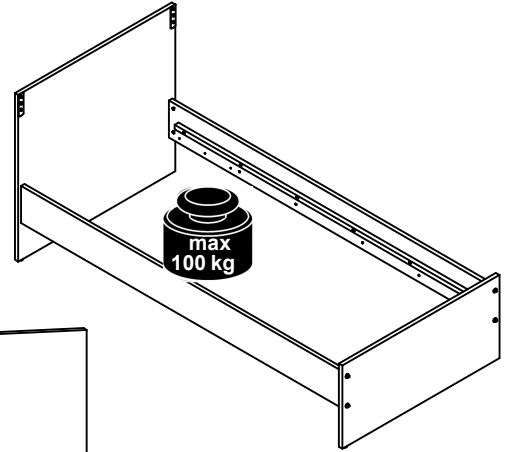
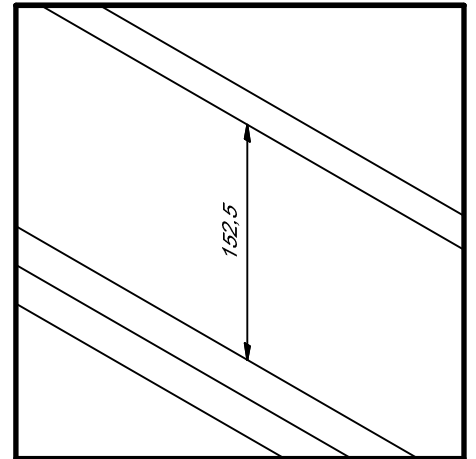
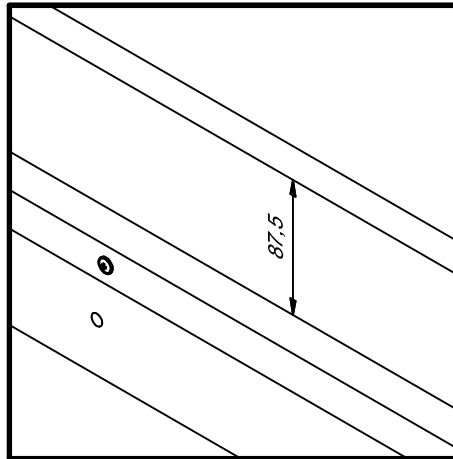
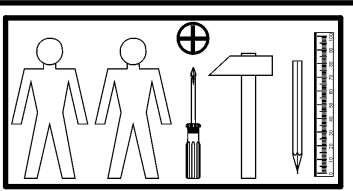
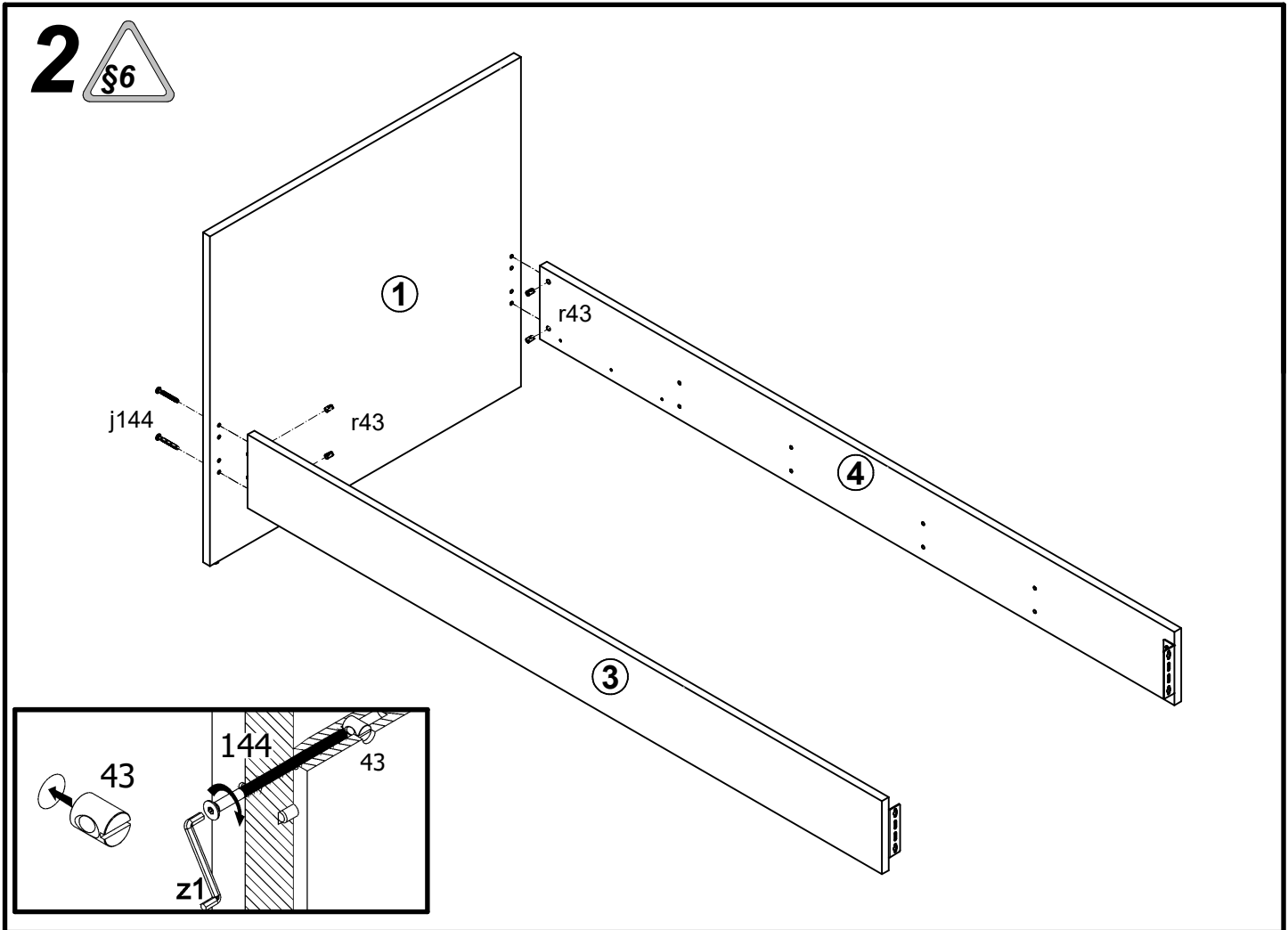
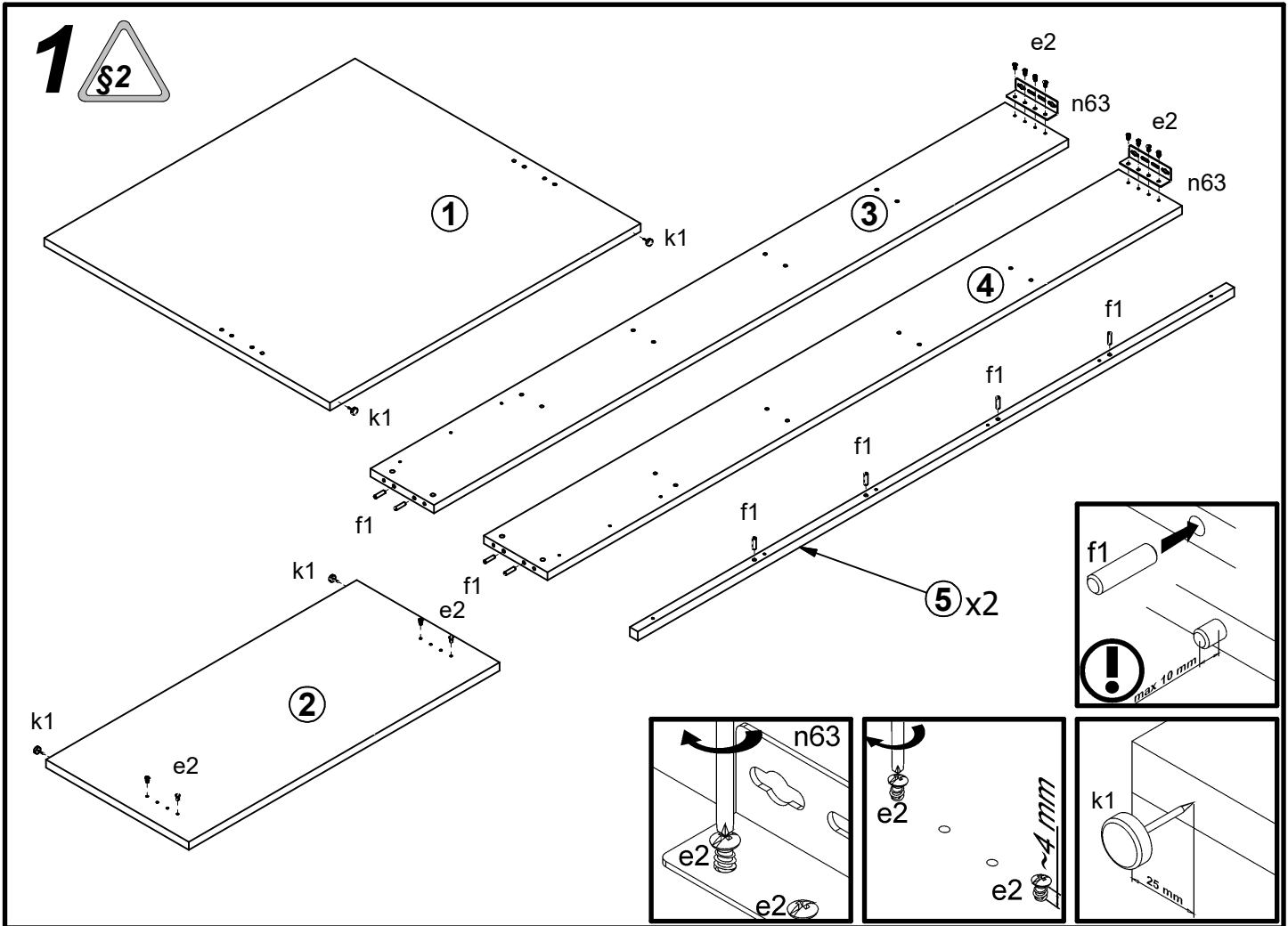


A**LARA****S463-LOZ/90**

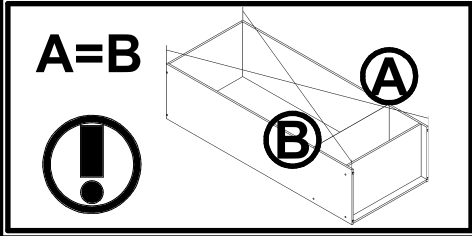
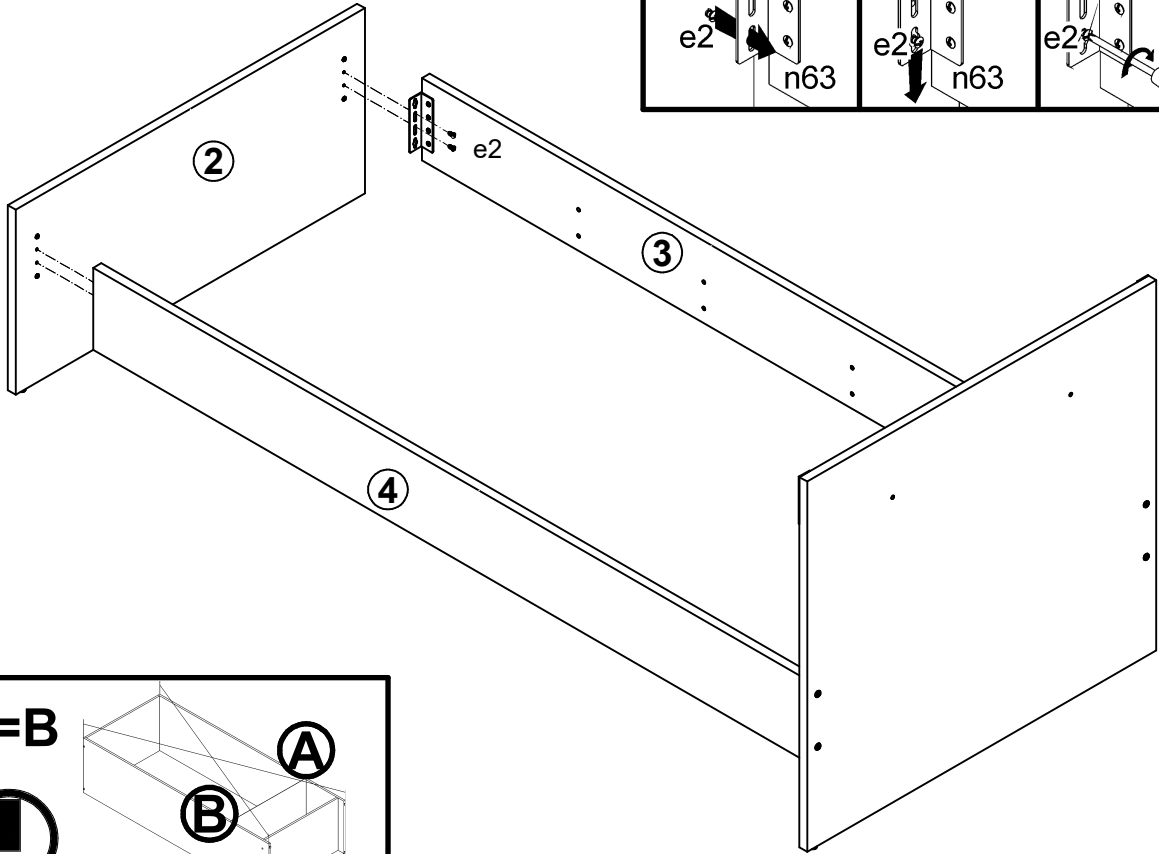
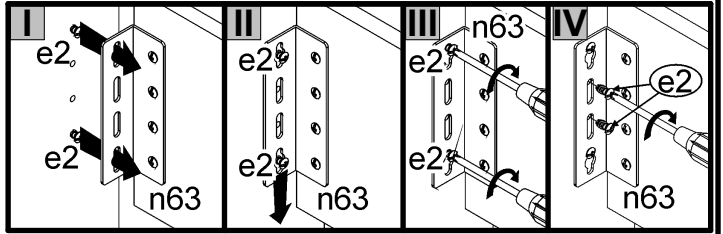
A	B	C	D	
1	S463-0002	980	900	1/2
2	S463-0003	980	450	1/2
3	S463-1007	2000	200	2/2
4	S463-1008	2000	200	2/2
5	ZZ1-747	1880	25	2/2

**A****B**

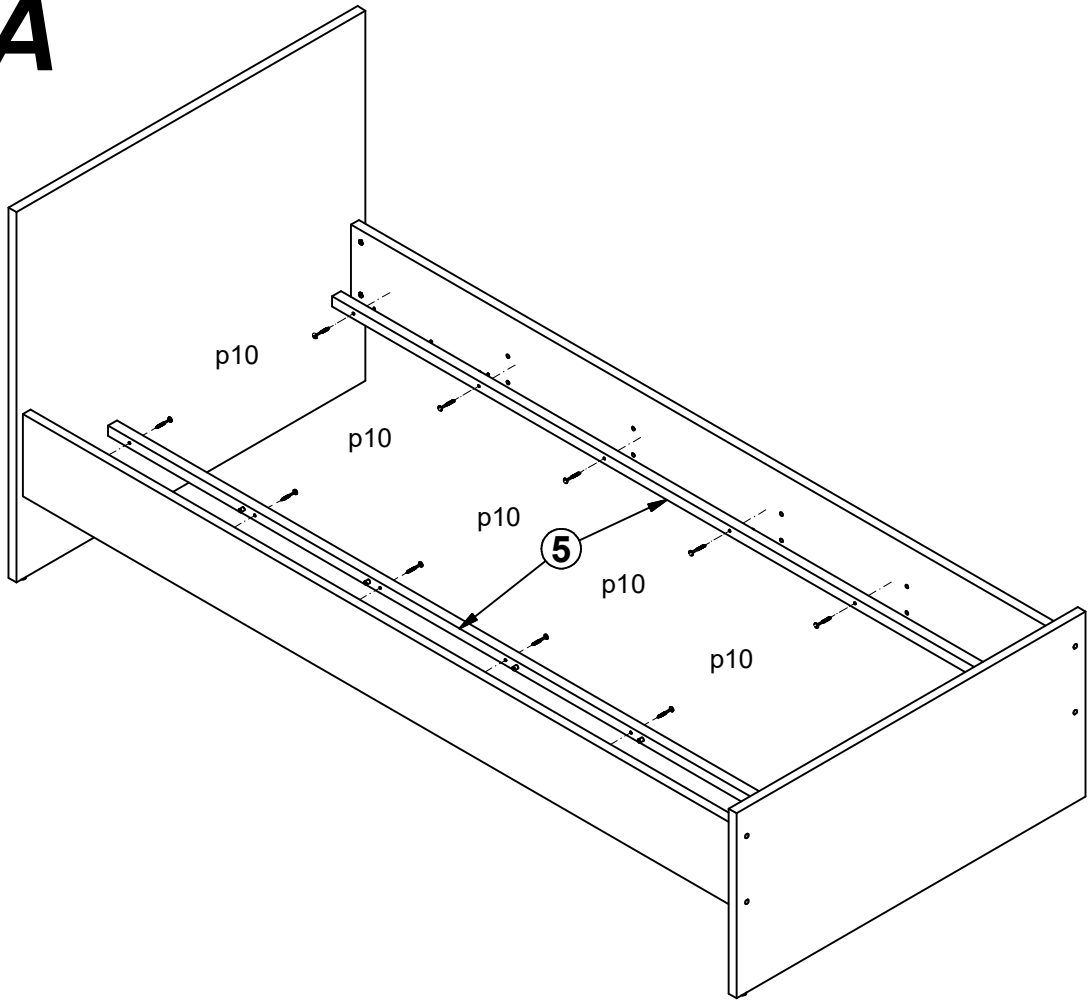
16x Ø6,3x13 mm e2	12x Ø8x30 mm f1	4x M6x60 mm j144	4x k1	4x l84	2x l85	2x 130x34x34/2 mm n63	12x Ø4x40 mm p10	6x Ø4x35 mm p6
4x Ø10x16 mm r43	1x 4 mm z1							



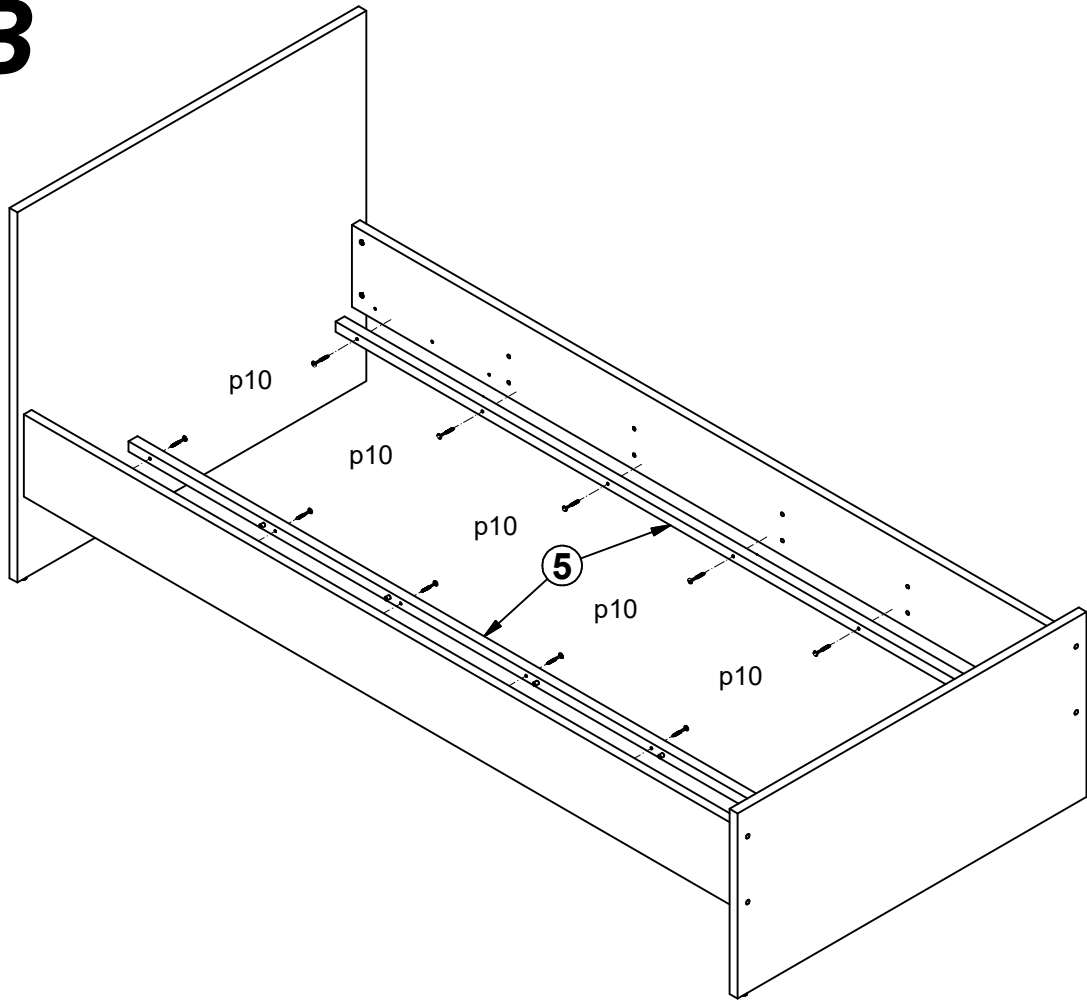
3



4 A



4 B



5

