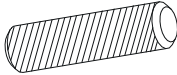
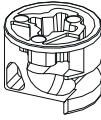


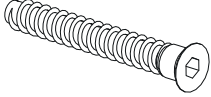
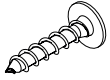
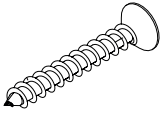

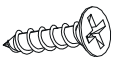
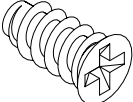



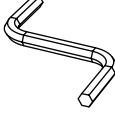

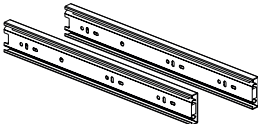
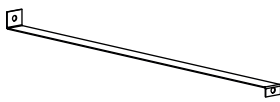

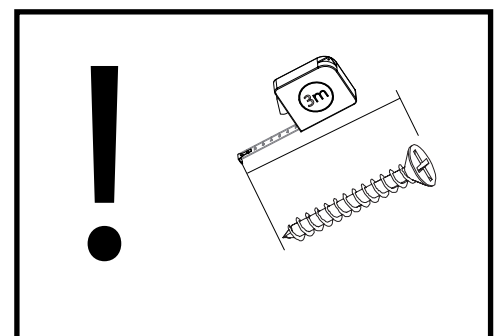
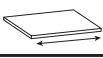
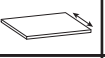
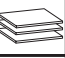
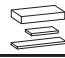


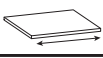
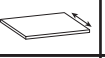
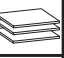
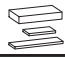
# CASTEL 11

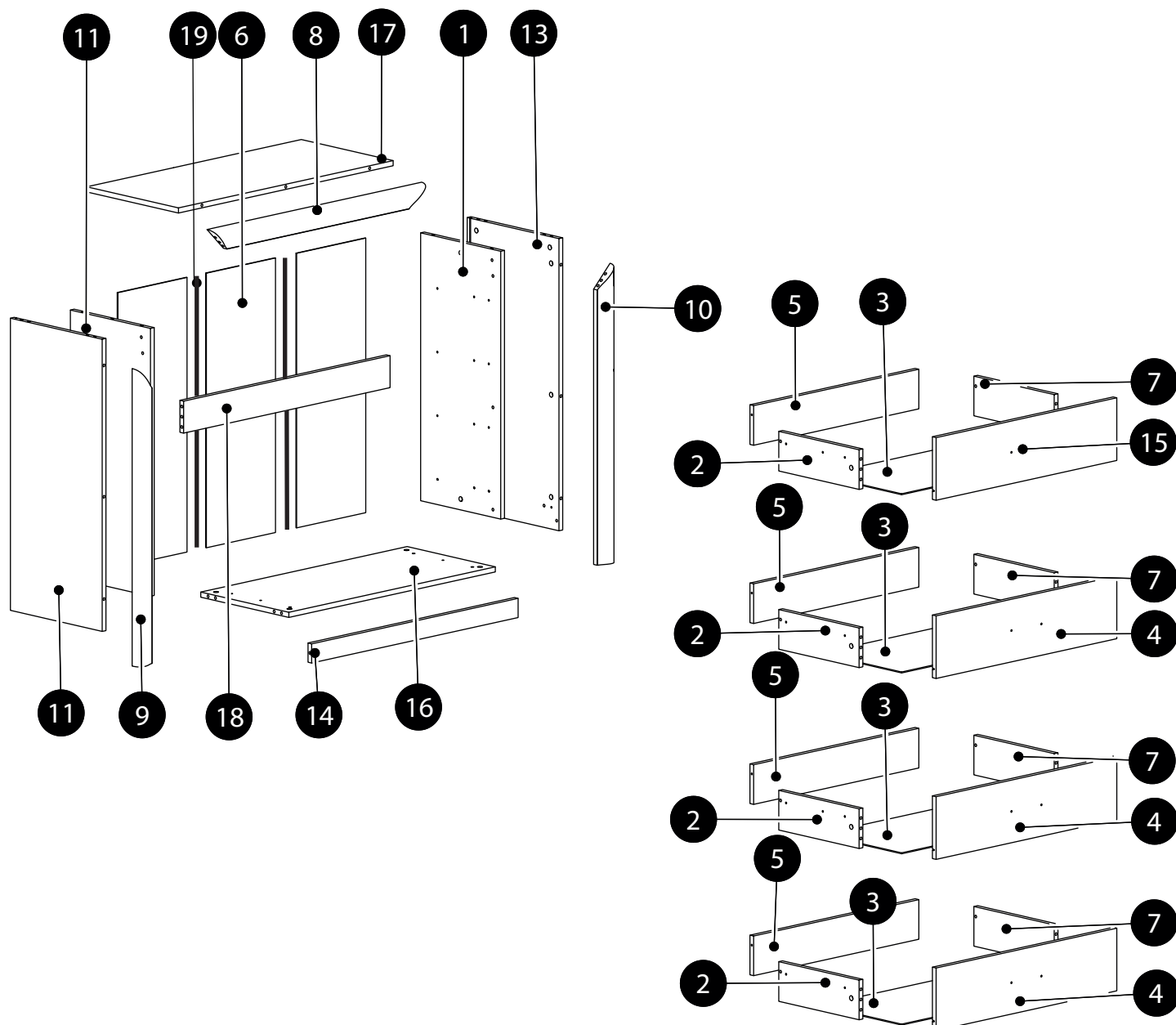
|   |  |   |
|---|--|---|
| <b>K1</b> x 42<br>8x32<br>         | <b>B2</b> x 35<br>h-12<br>    | <b>ZD1</b> x 2<br>L68<br>    |
| <b>ZJ1</b> x 31<br>L-43<br>        | <b>KT1</b> x 8<br>6,3x50<br>  | <b>WT9</b> x 70<br>3x16<br>  |
| <b>WT18</b> x 8<br>4x30<br>        | <b>SG1</b> x 5<br>            | <b>WT1</b> x 8<br>3,5x15<br> |
| <b>WE7</b> x 24<br>ES6,3x13KBH<br> | <b>GW1</b> x 10<br>1,4x25<br> | <b>U3</b> x 4<br>L-148<br>   |
| <b>SP</b> x 7<br>                | <b>x 1</b><br>              | <b>KL</b> x 1<br>          |
| <b>P1</b> x 4<br>L-350<br>       | <b>WS1</b> x 4<br>L-350<br> | <b>LT</b> x 2<br>L-839<br> |

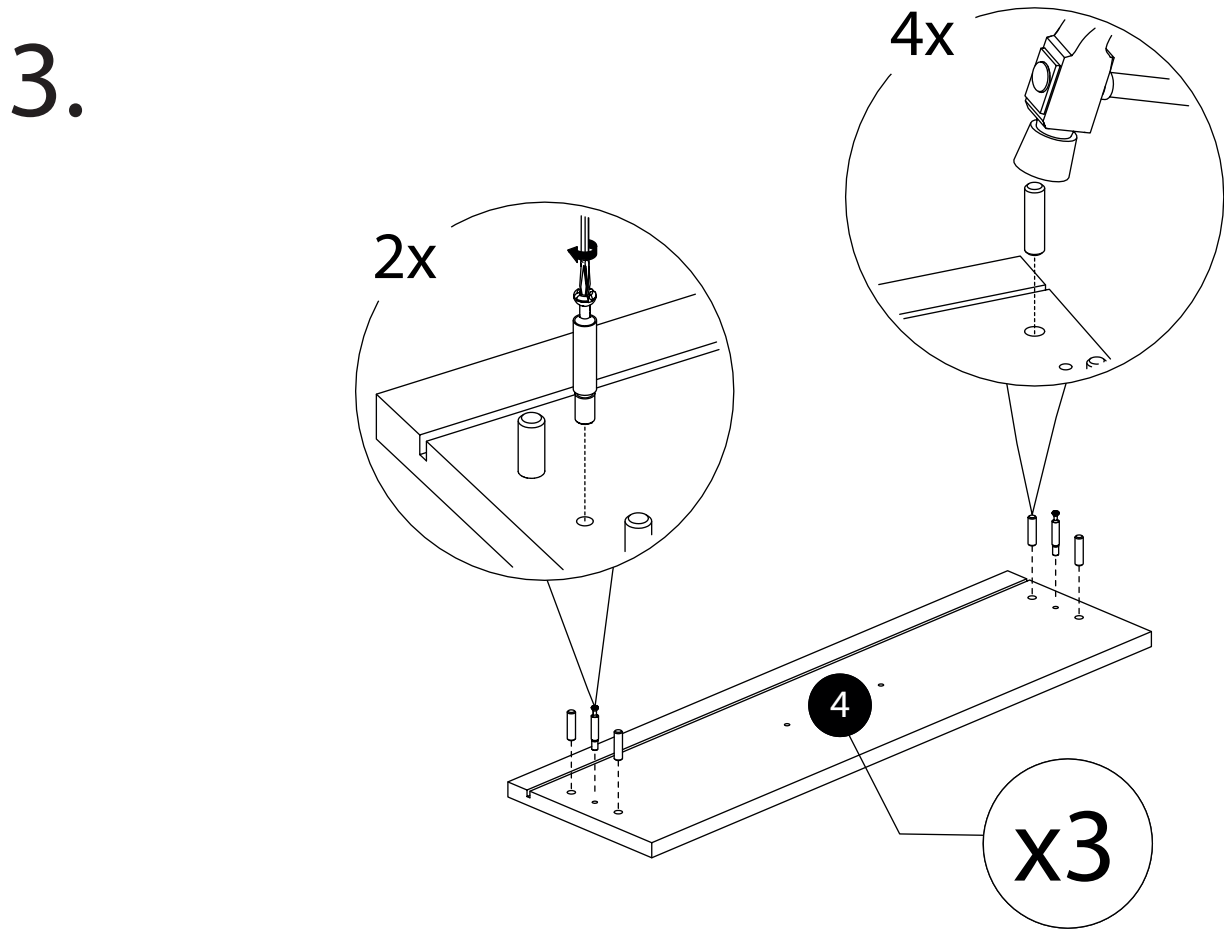
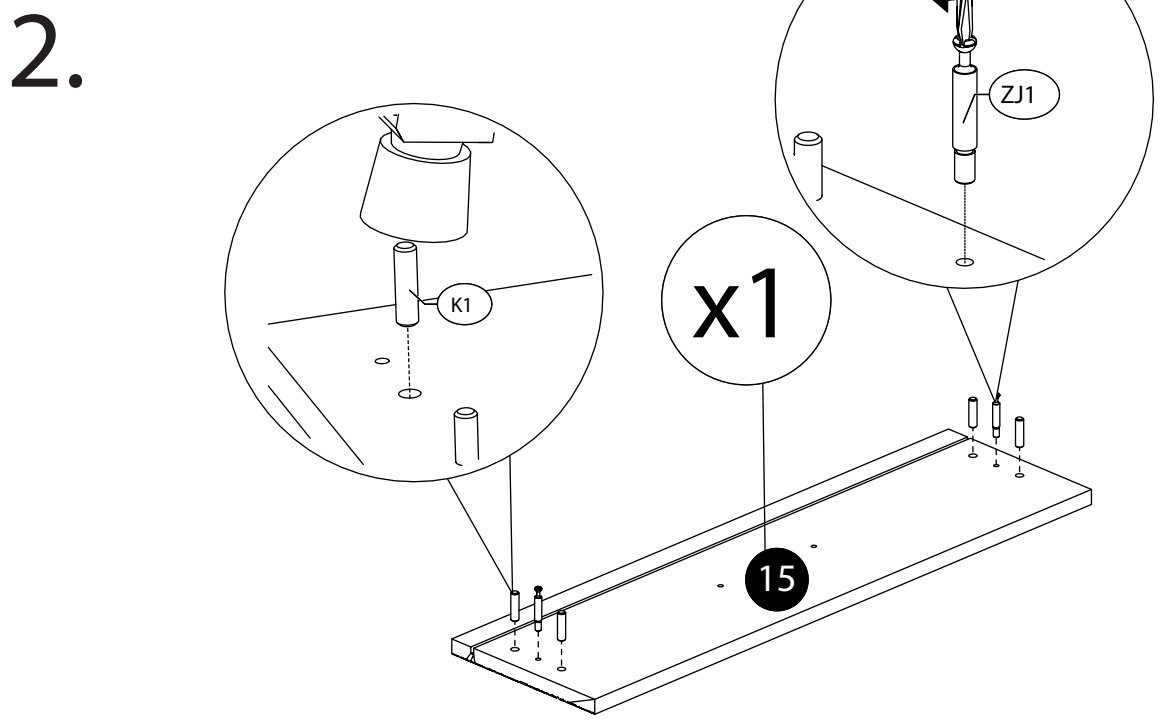
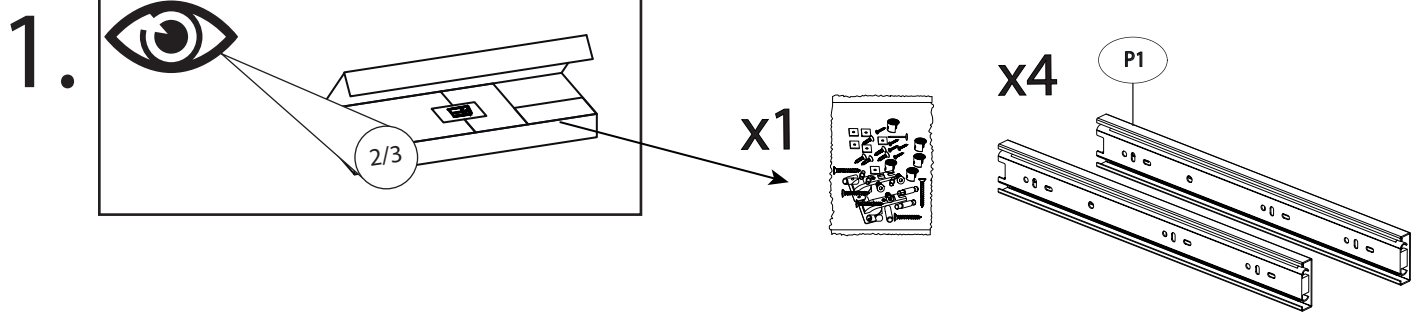


# CASTEL 11

|    | CODE           |  |  |  |  |
|----|----------------|---|---|---|---|
| 1  | Castel11_06    | 838   | 349   | 1   | 2/3   |
| 2  | Castel11_09    | 124   | 350   | 4   | 2/3   |
| 3  | Castel11HDF_02 | 733   | 355   | 4   | 1/3   |
| 4  | Castel11_08    | 771   | 196   | 3   | 2/3   |
| 5  | Castel11_11    | 124   | 705   | 4   | 1/3   |
| 6  | Castel11HDF_01 | 295   | 859   | 3   | 1/3   |
| 7  | Castel11_10    | 124   | 350   | 4   | 2/3   |
| 8  | Castel11_16    | 916   | 70  | 1   | 3/3   |
| 9  | Castel11_14    | 931   | 70  | 1   | 3/3   |
| 10 | Castel11_15    | 931   | 70  | 1   | 3/3   |
| 11 | Castel11_03    | 914   | 400   | 1   | 1/3   |

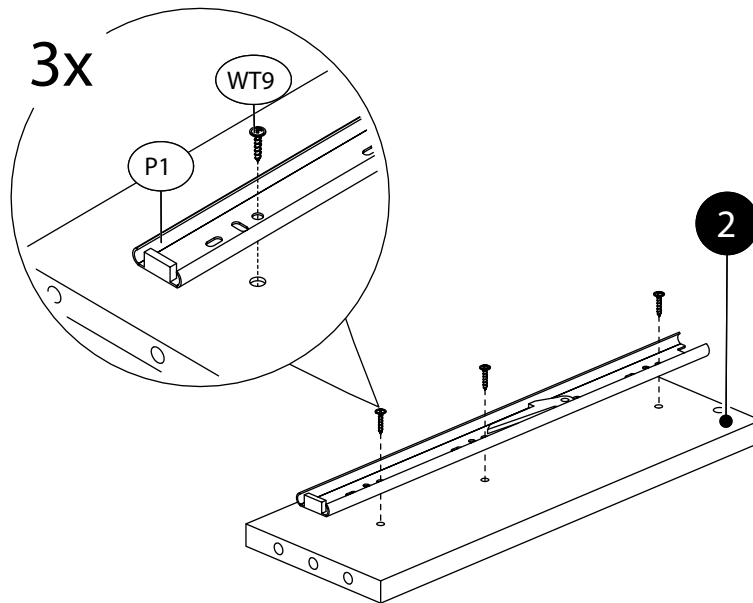
|    | CODE            |  |  |  |  |
|----|-----------------|---|---|---|---|
| 12 | Castel11_05     | 838   | 349   | 1   | 2/3   |
| 13 | Castel11_04     | 914   | 400   | 1   | 1/3   |
| 14 | Castel11_12     | 881   | 60  | 1   | 1/3   |
| 15 | Castel11_13     | 771   | 196   | 1   | 2/3   |
| 16 | Castel11_02     | 881   | 384   | 1   | 2/3   |
| 17 | Castel11_01     | 916   | 400   | 1   | 1/3   |
| 18 | Castel11_07     | 100   | 881   | 1   | 1/3   |
| 19 | 3LIST_H_L839_SJ |   |   | 2   | 1/3   |





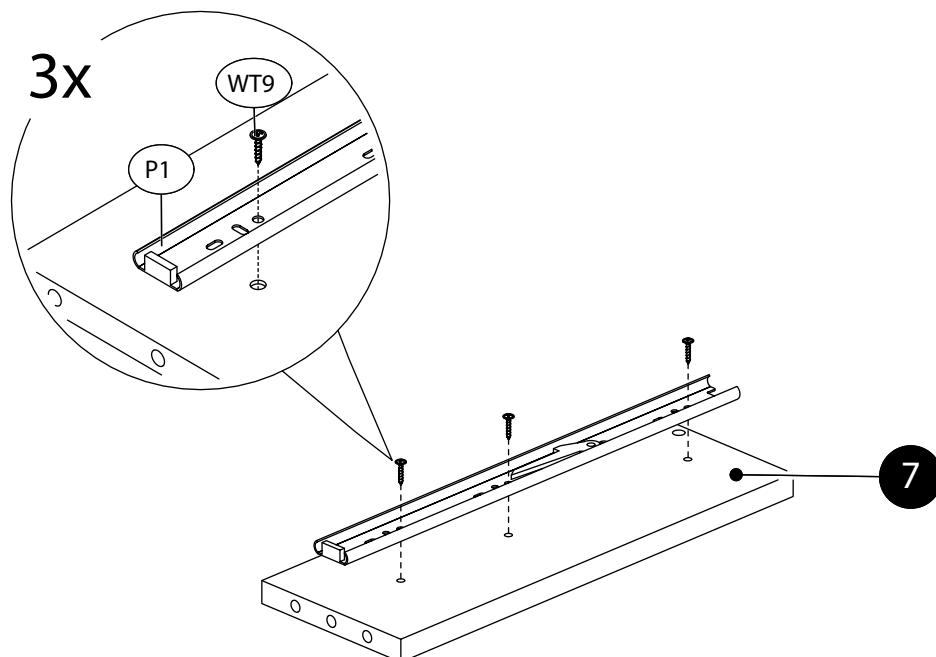
4.

x4

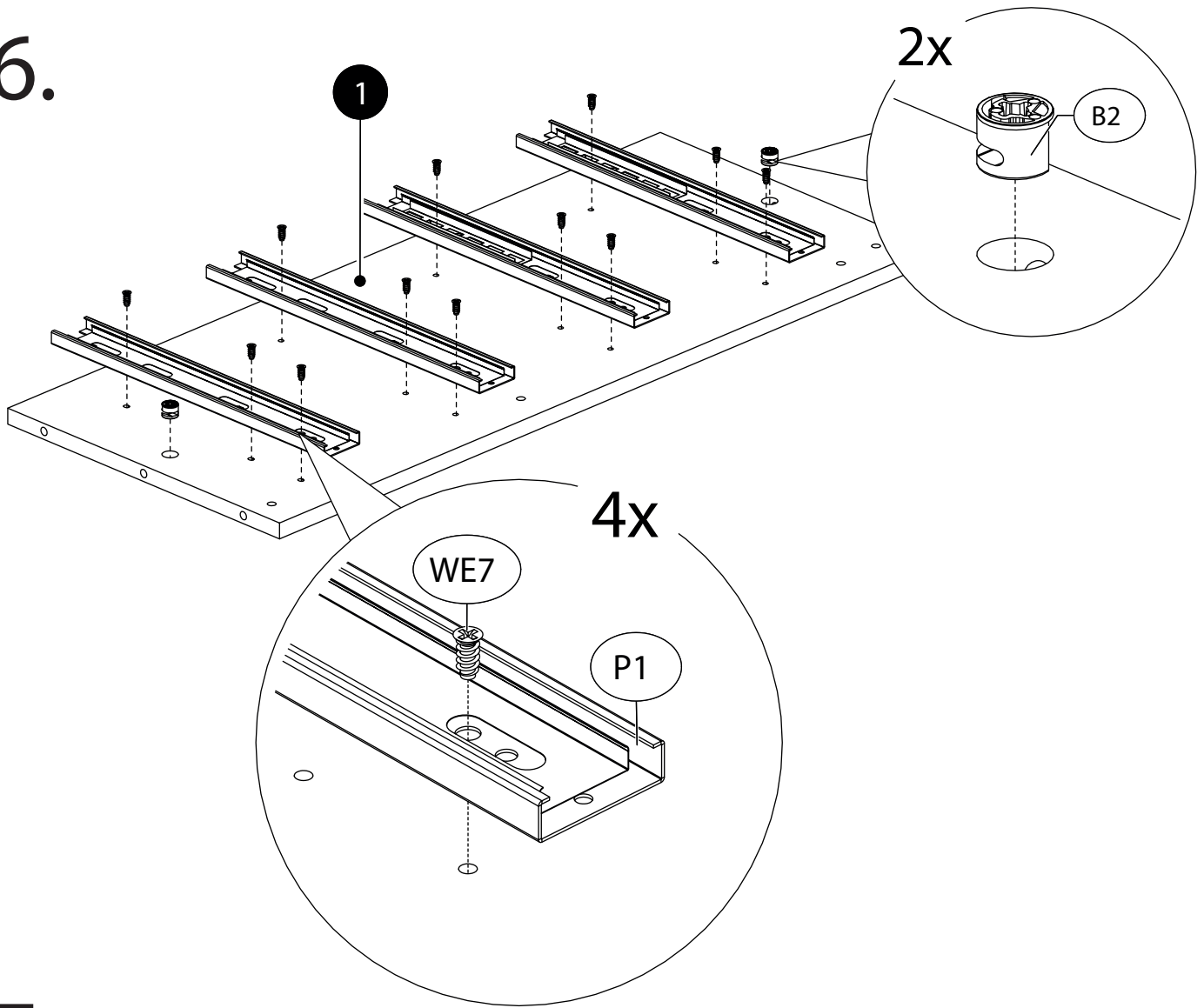


5.

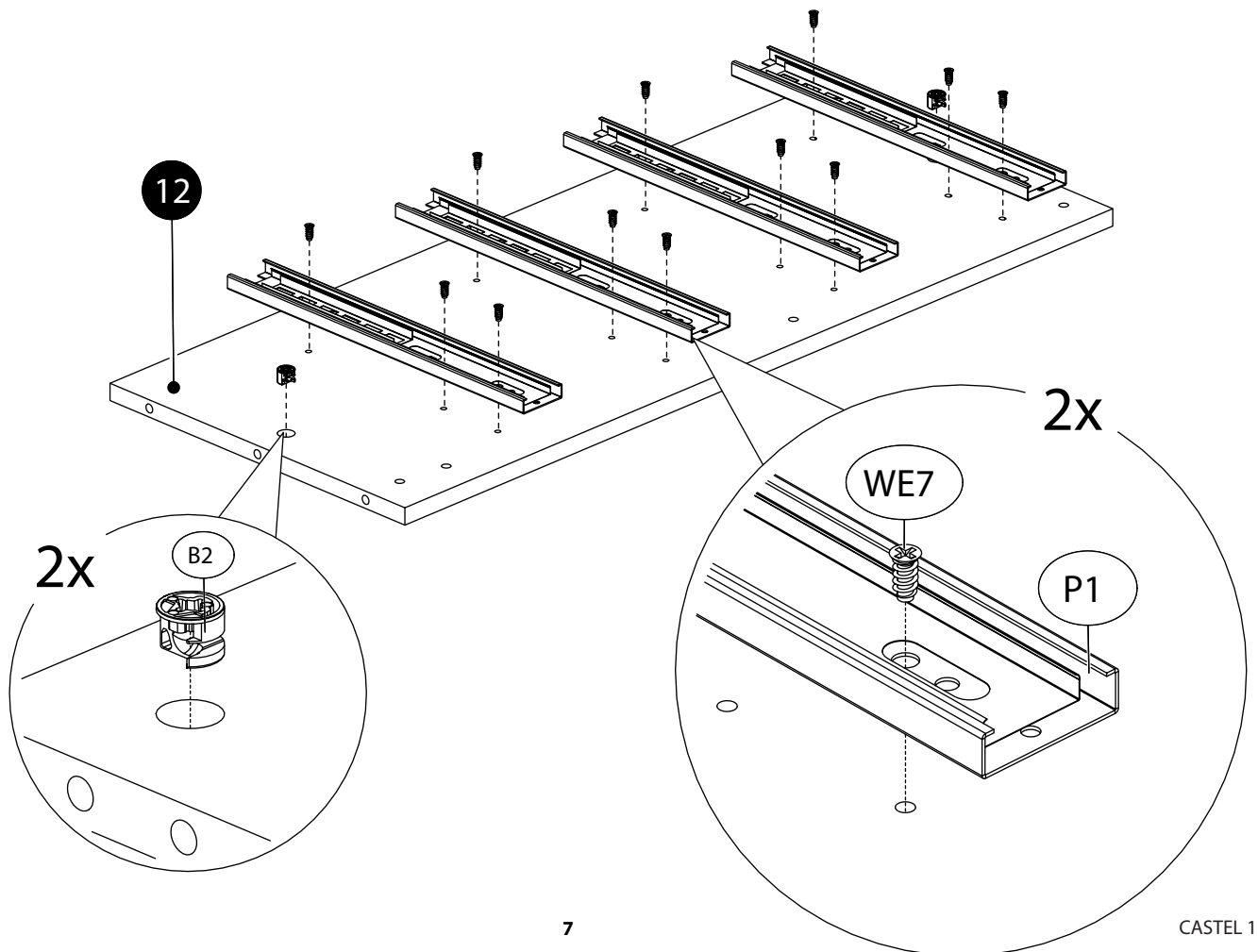
x4



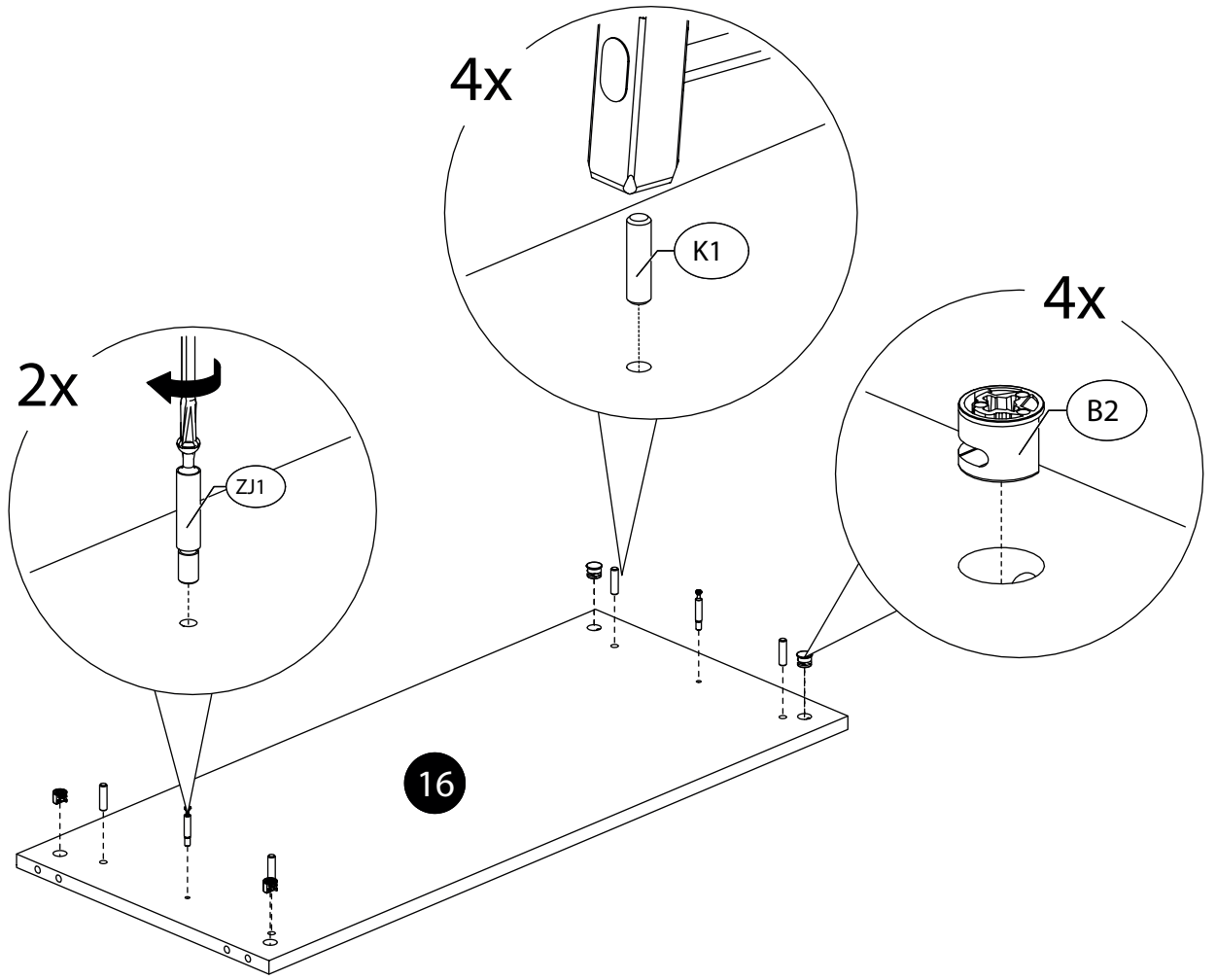
6.



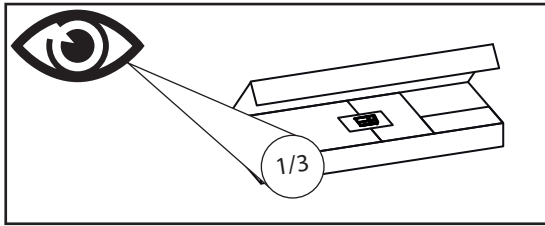
7.



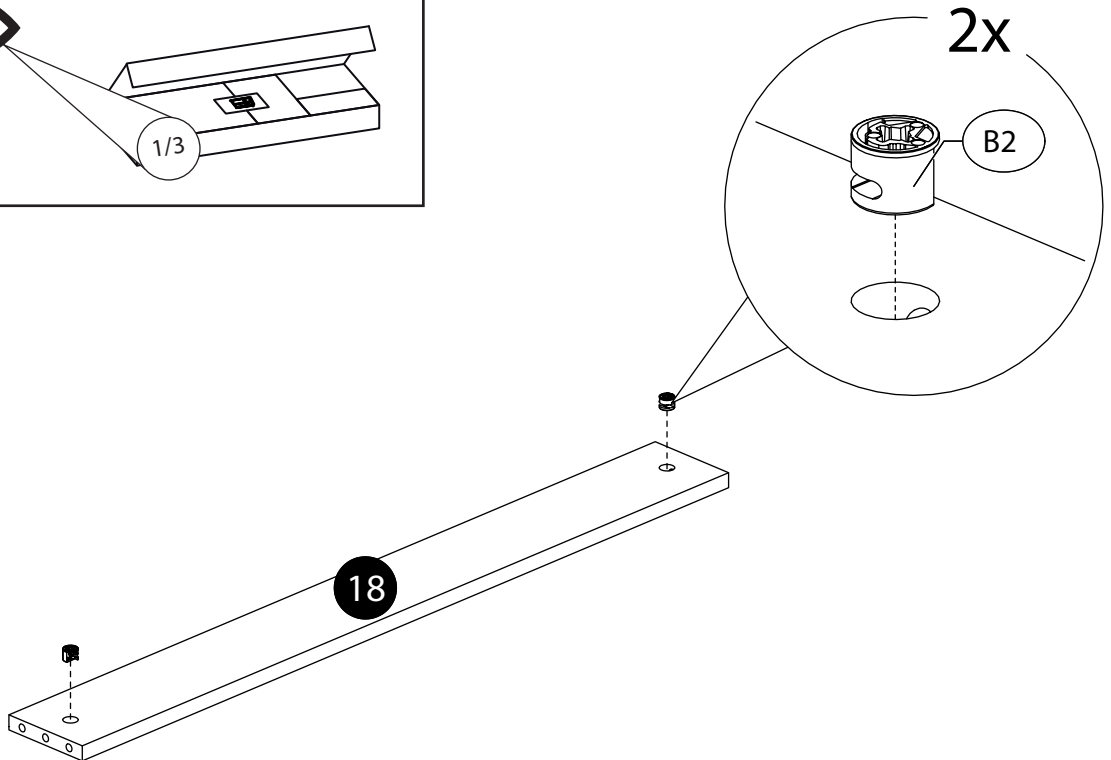
8.



9.

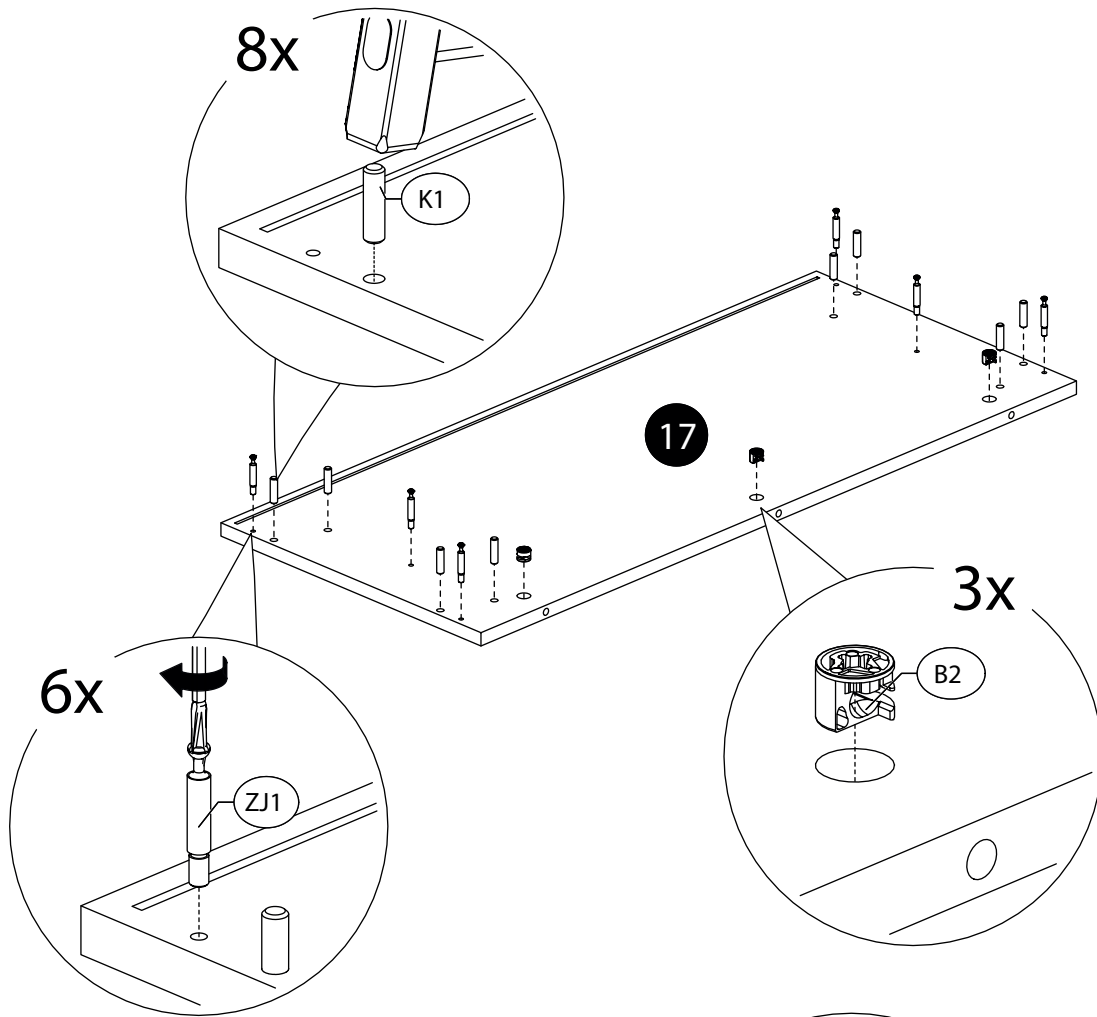


10.

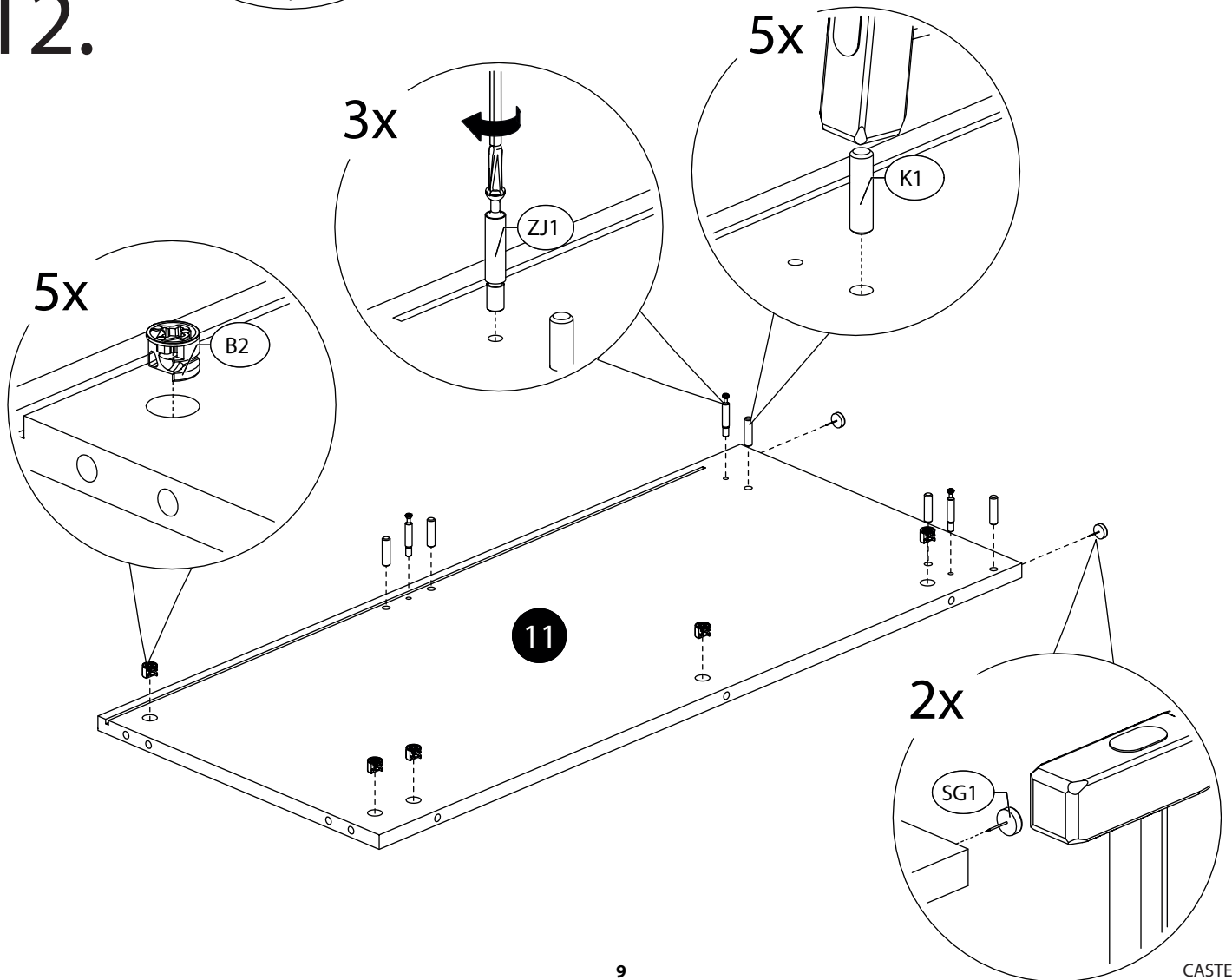




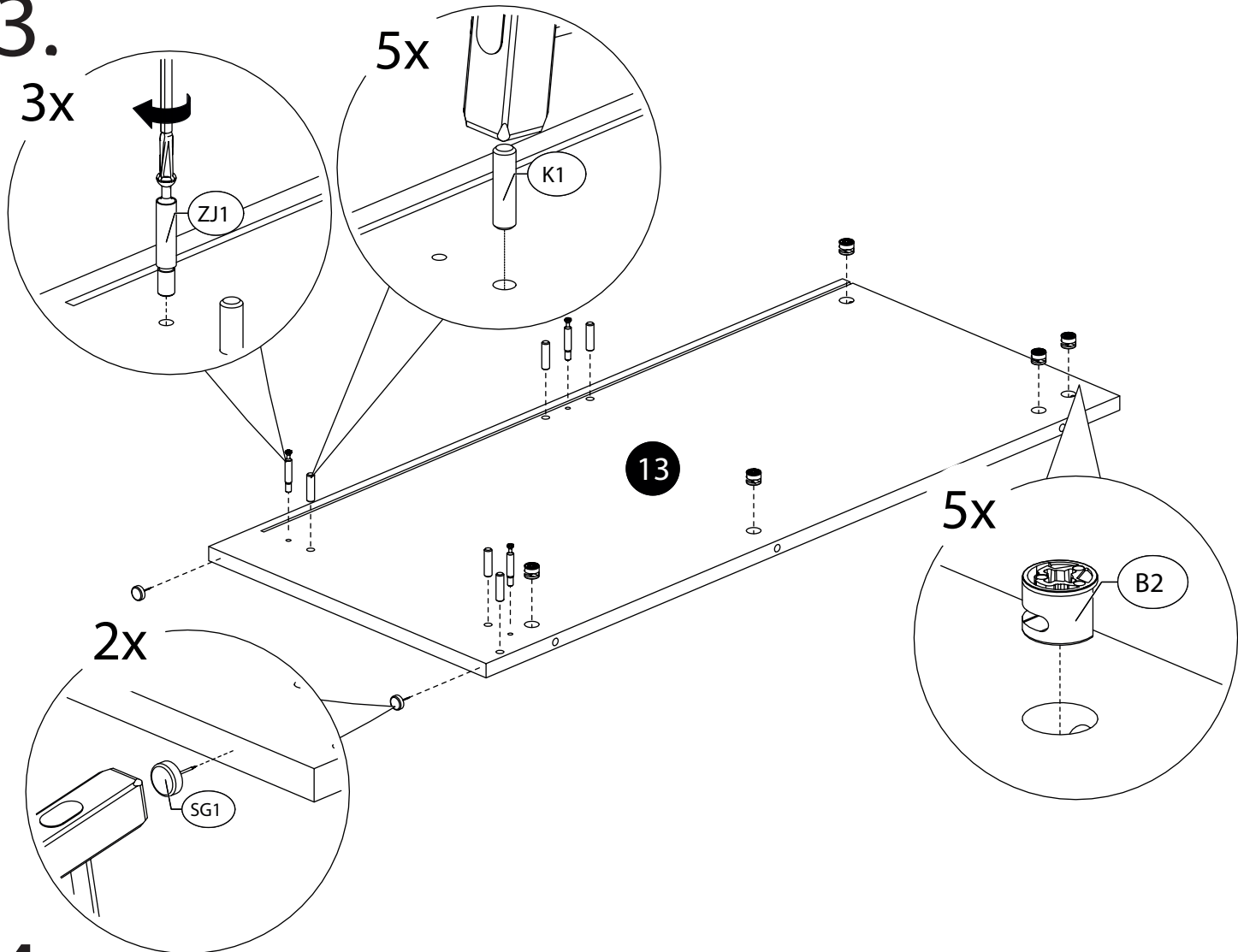
11.



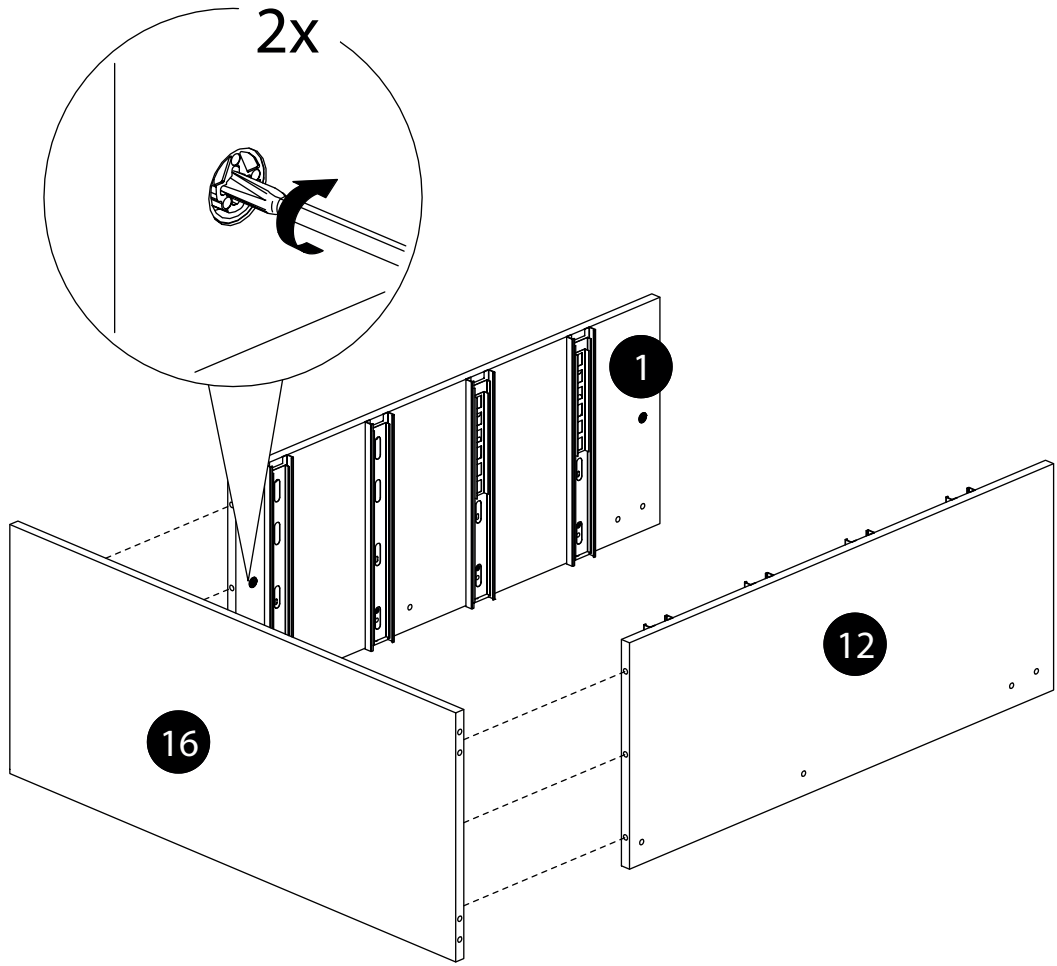
12.



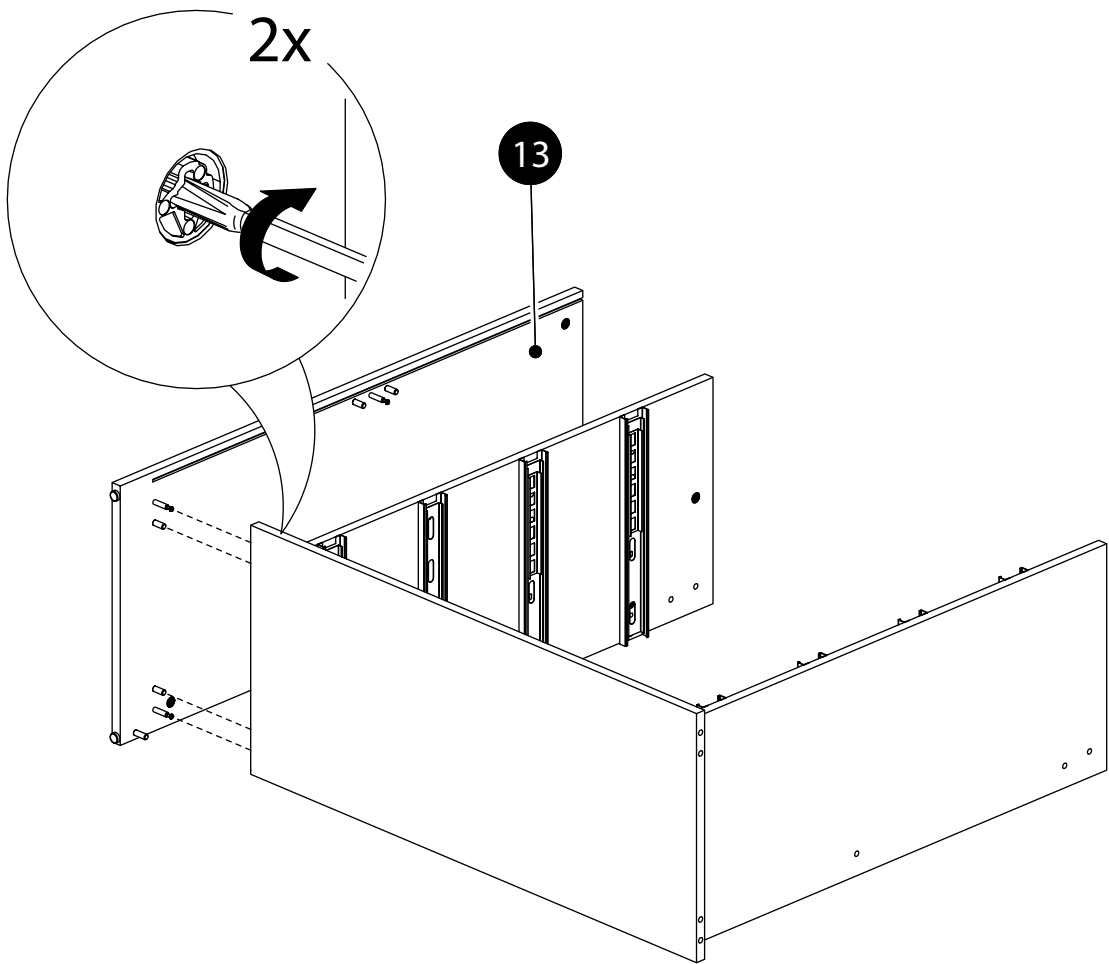
13.



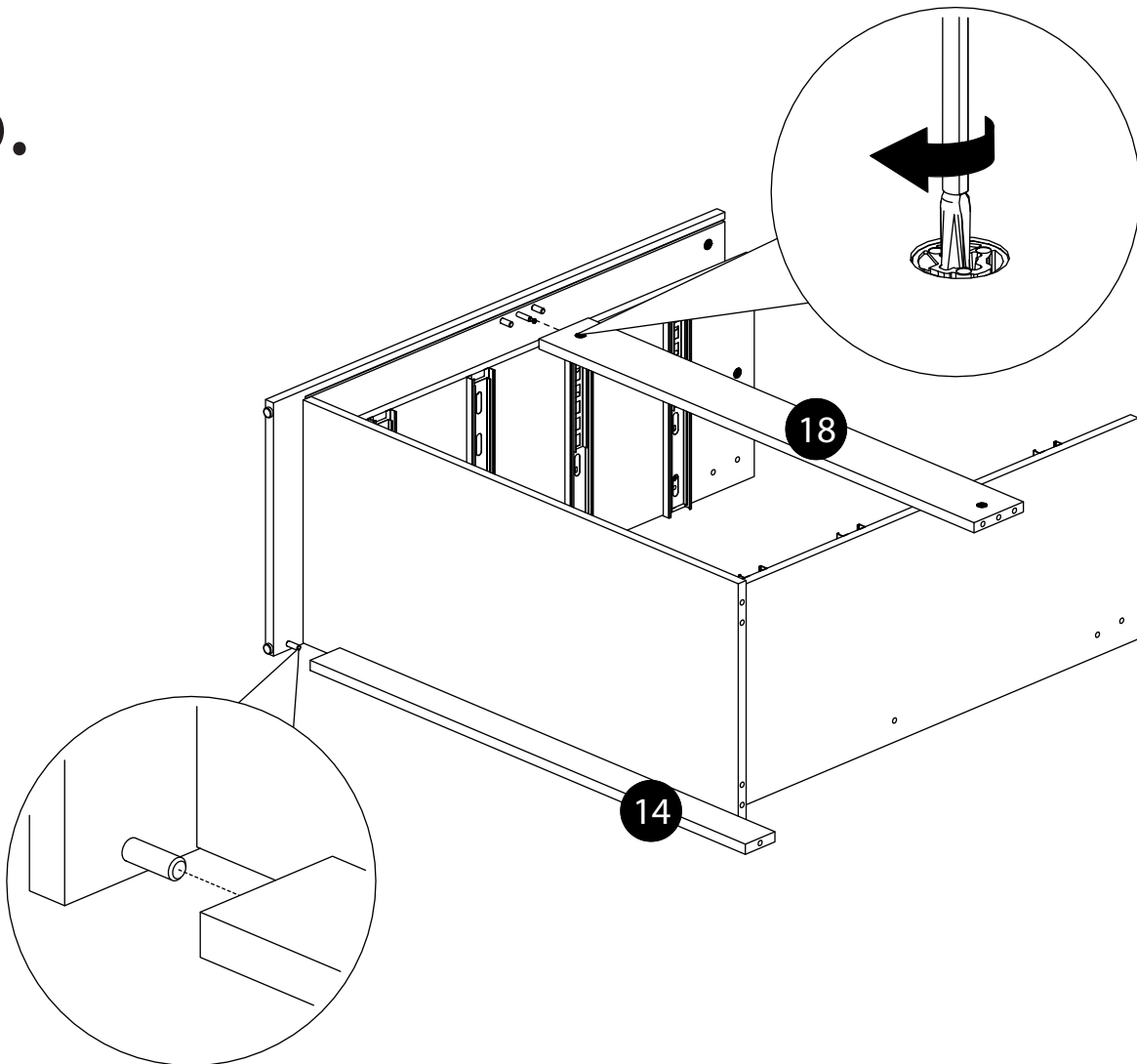
14.



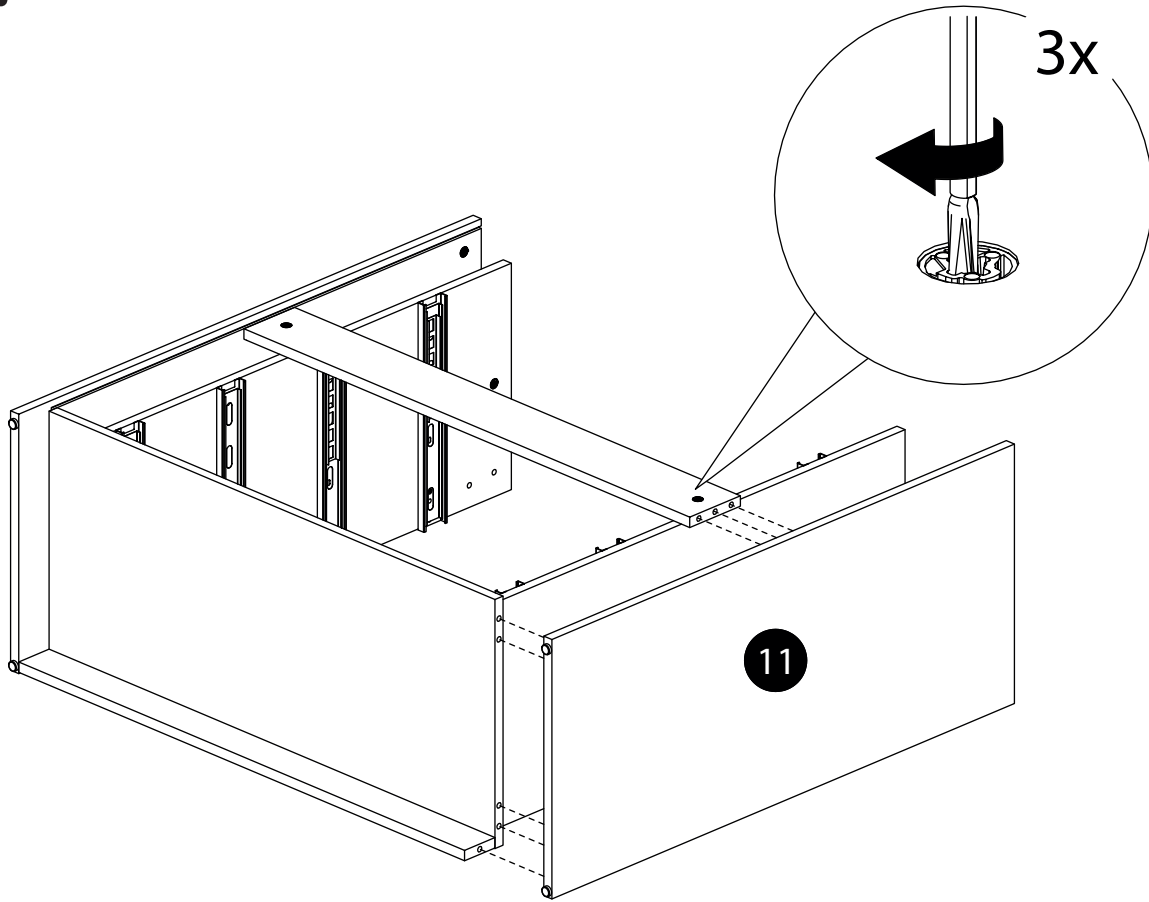
15.



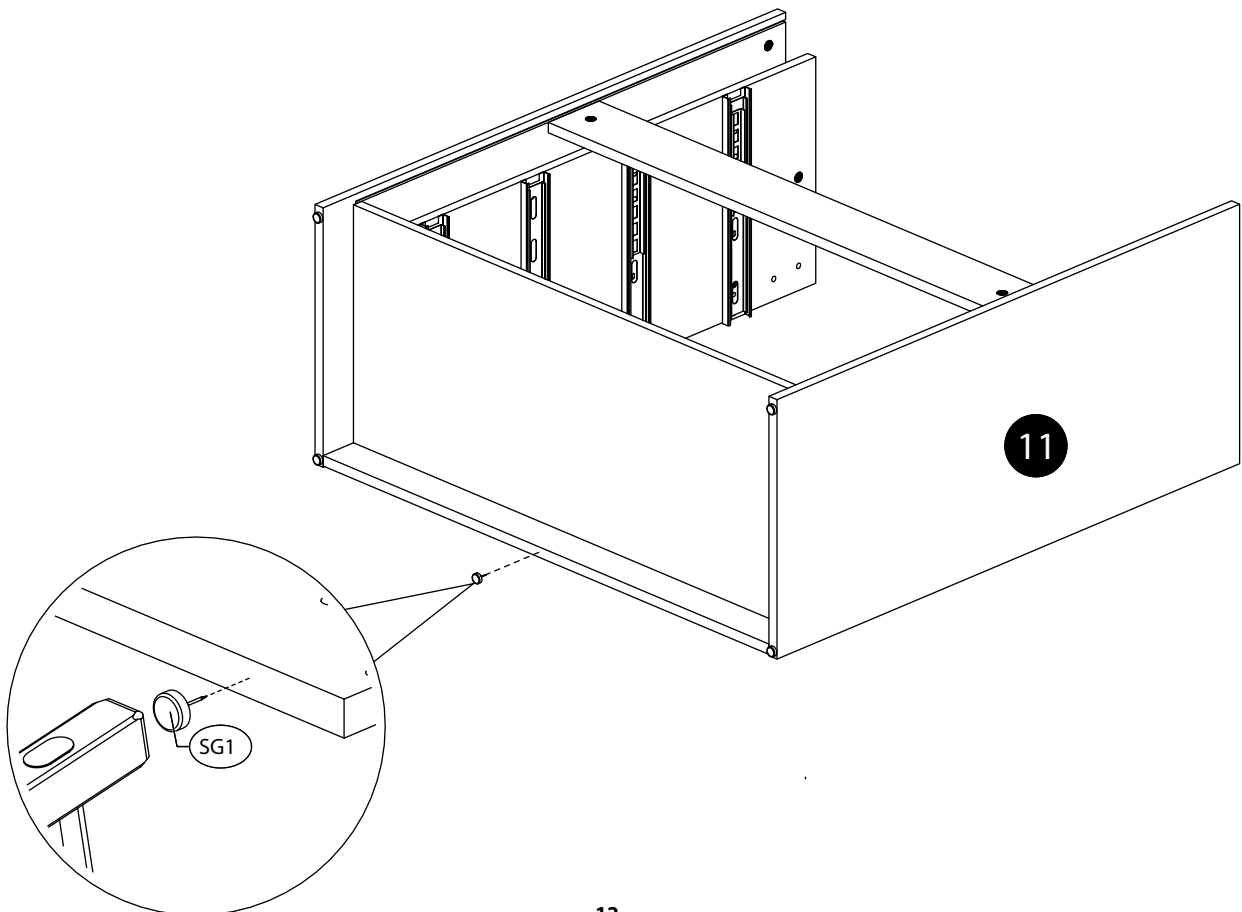
16.



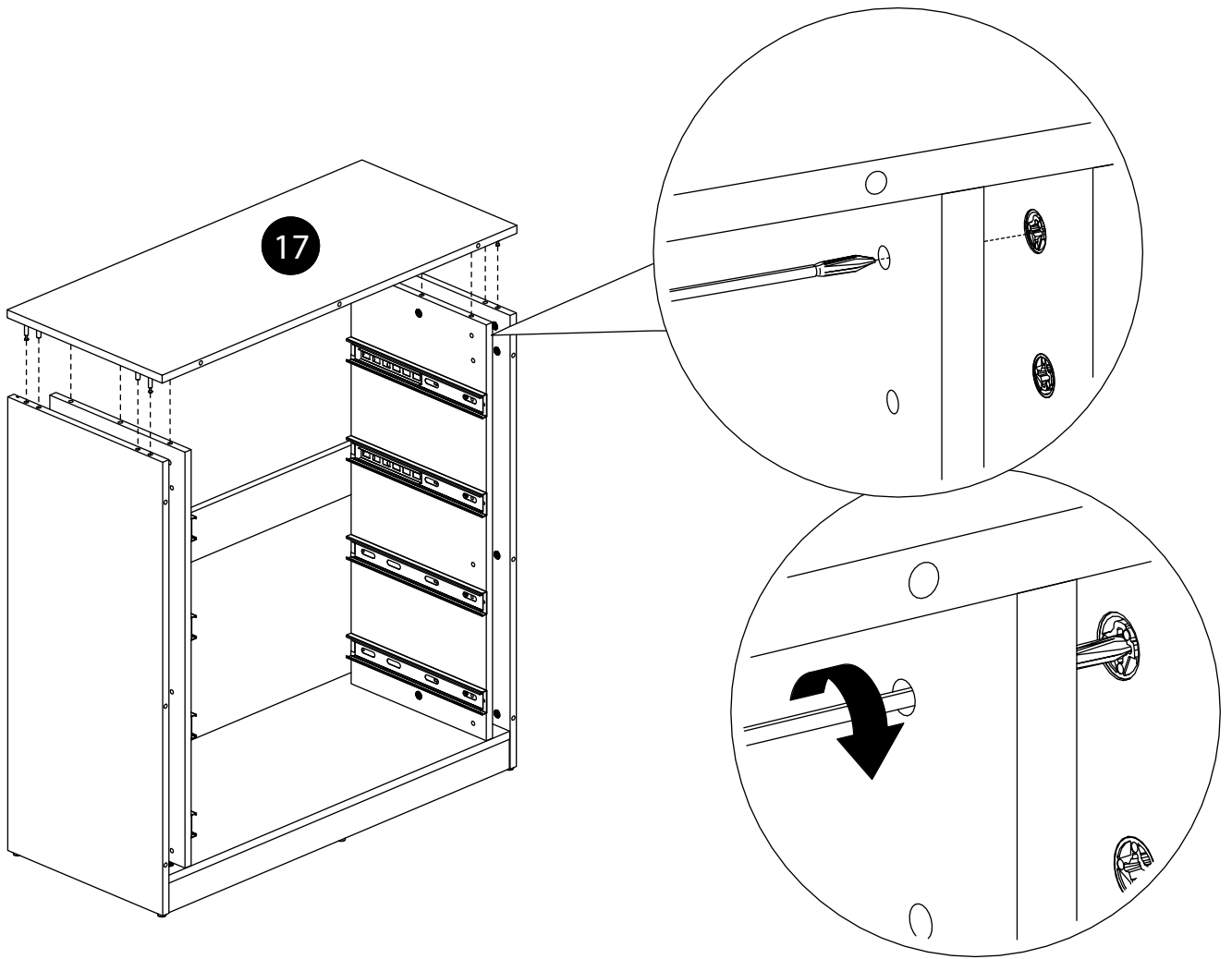
17.



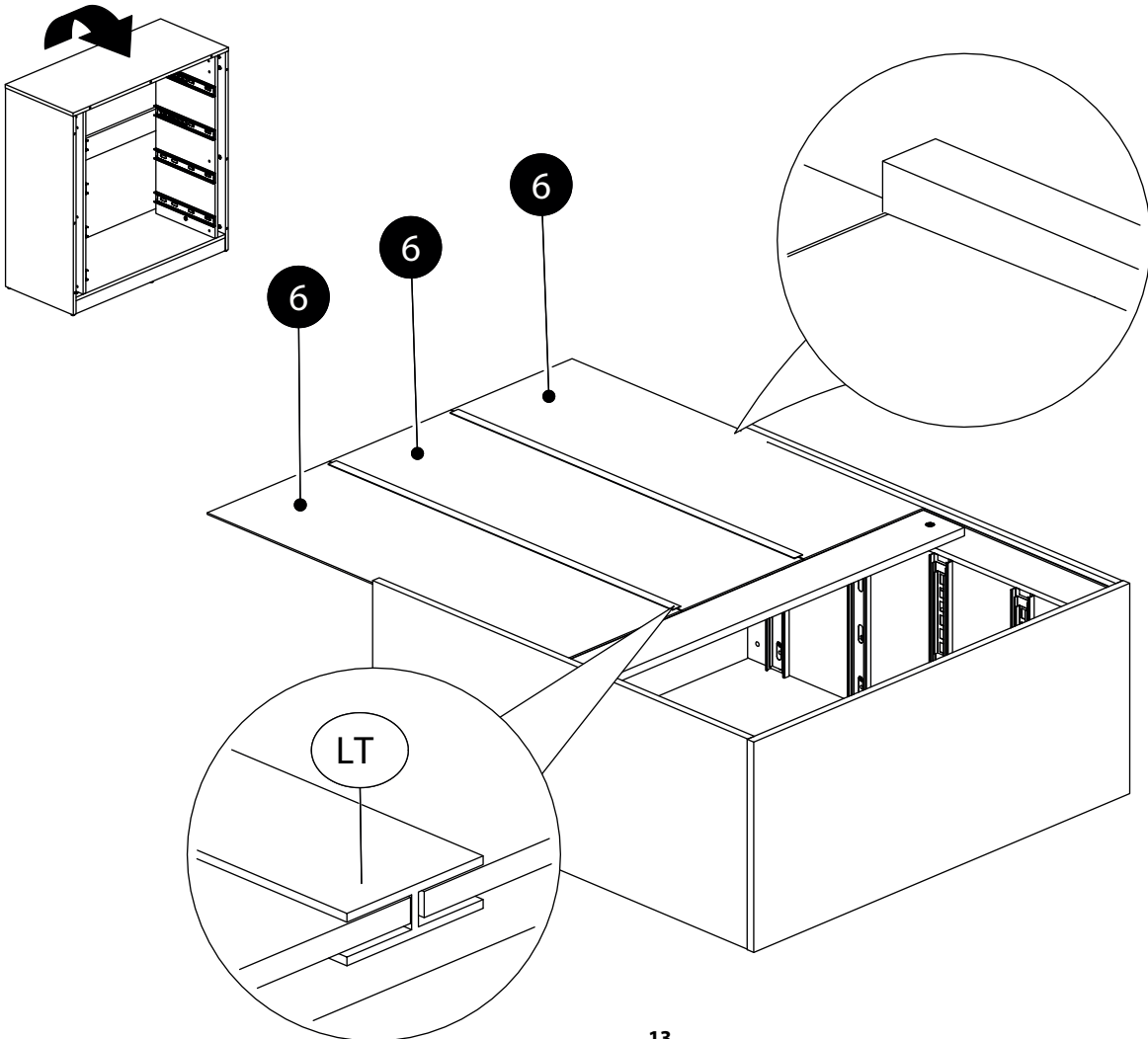
18.



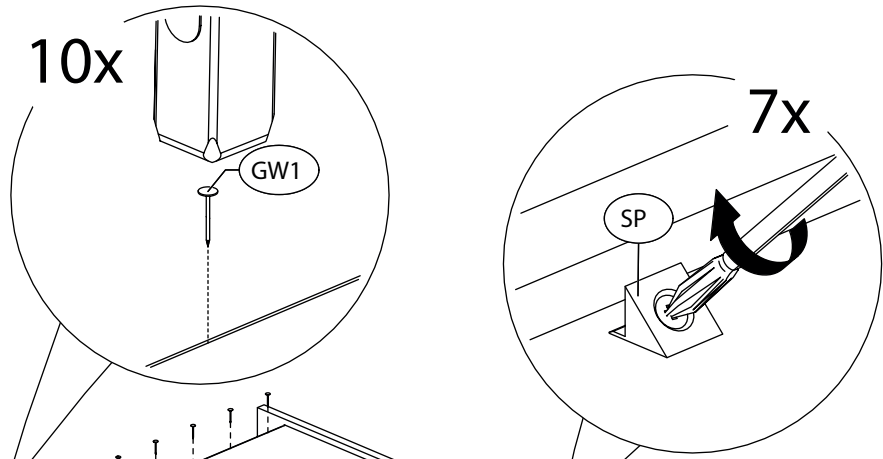
19.



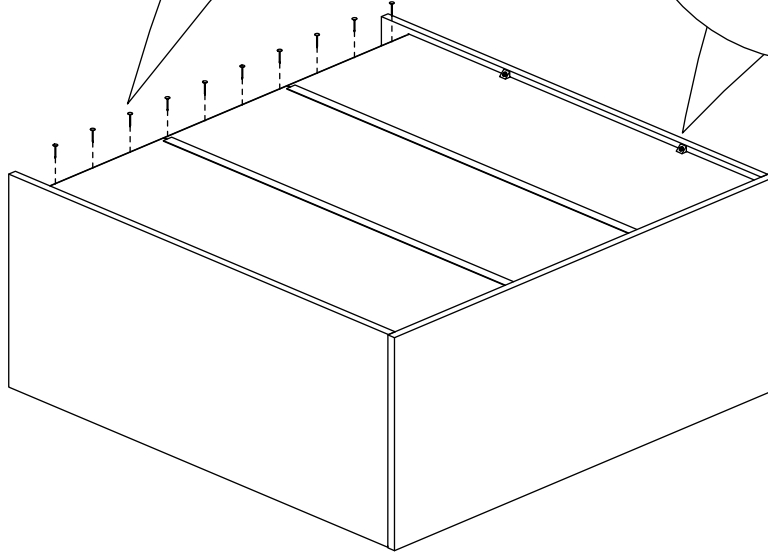
20.



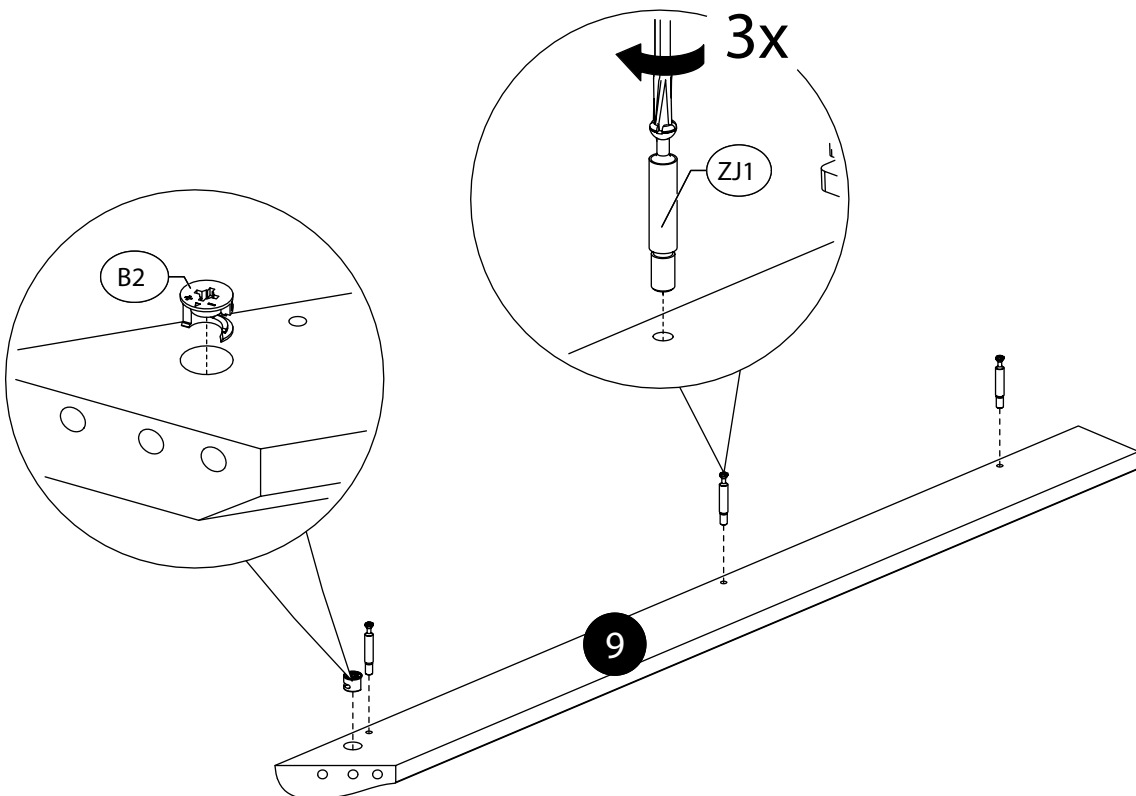
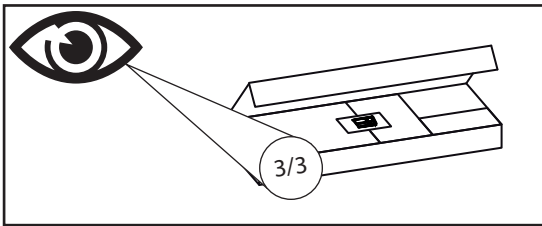
21.



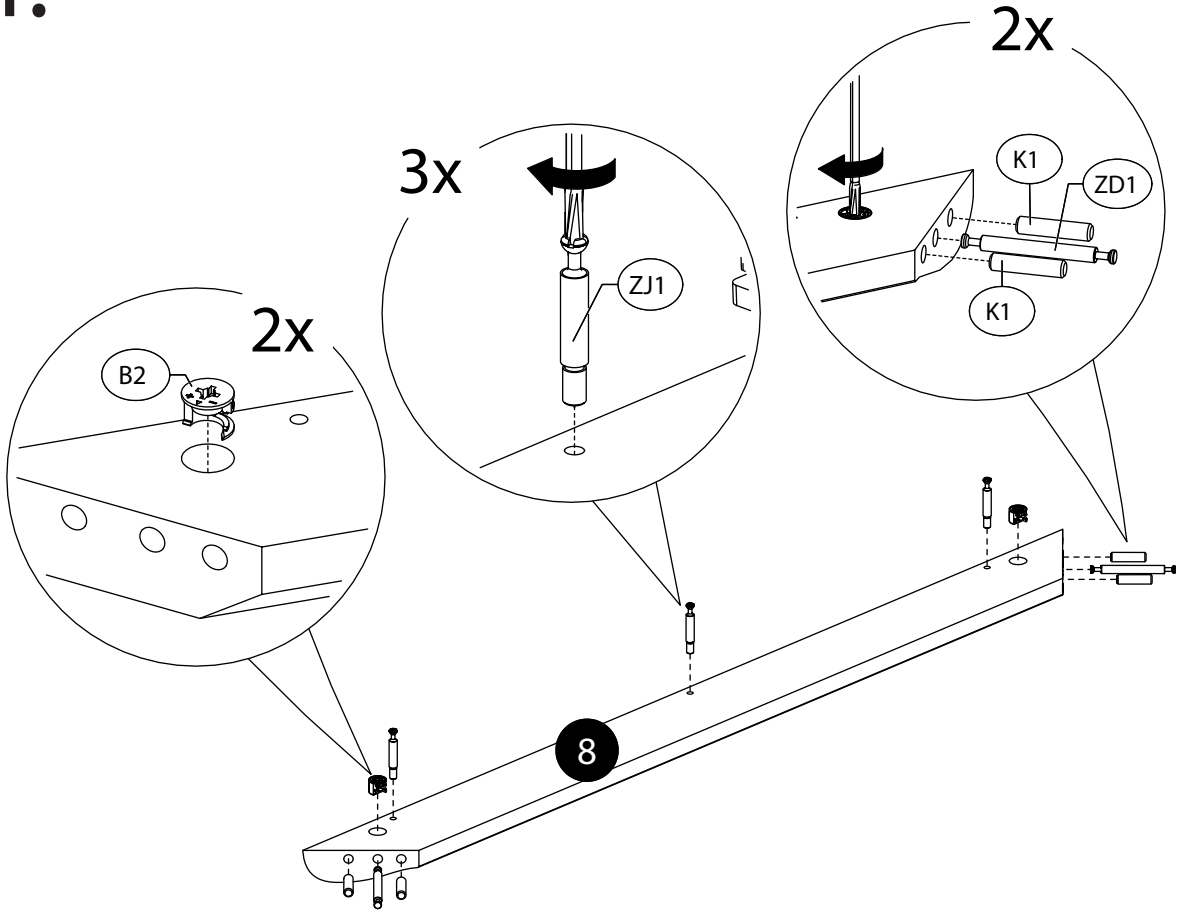
22.



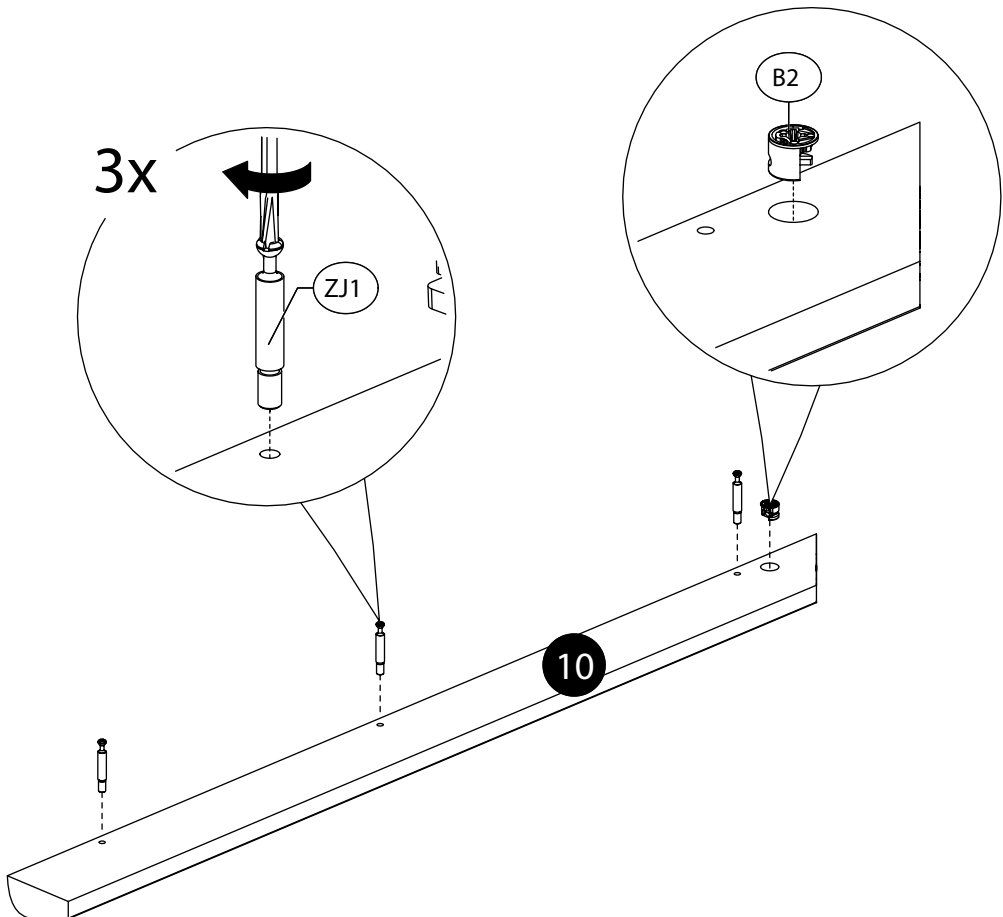
23.



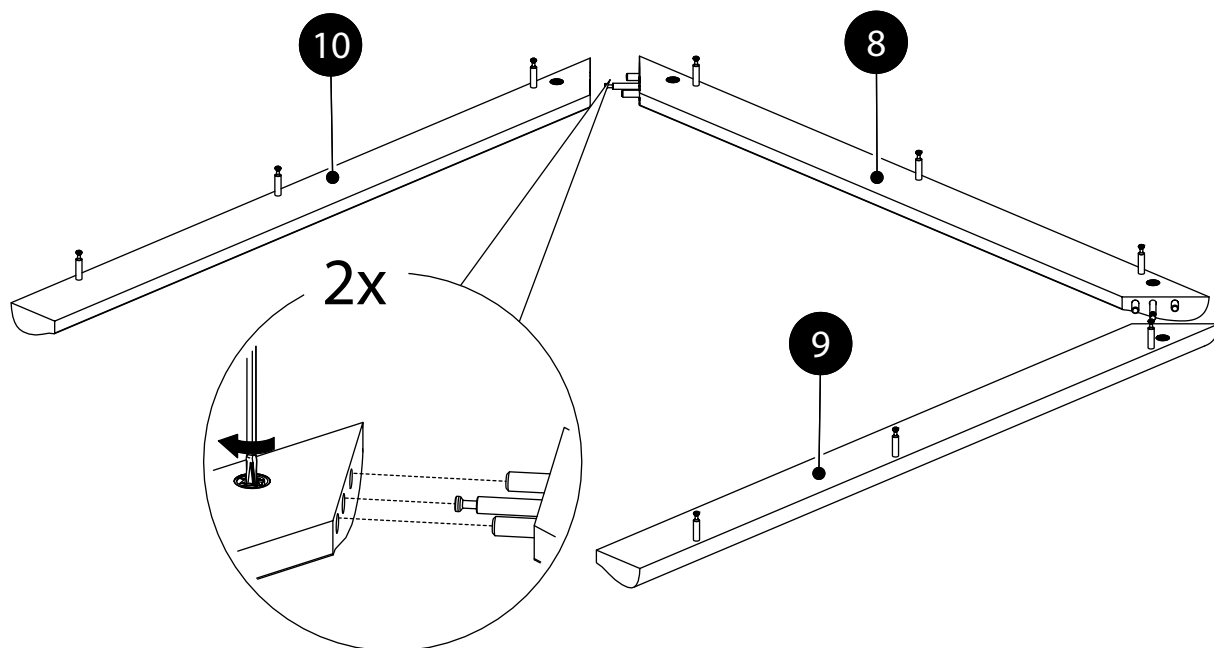
# 24.



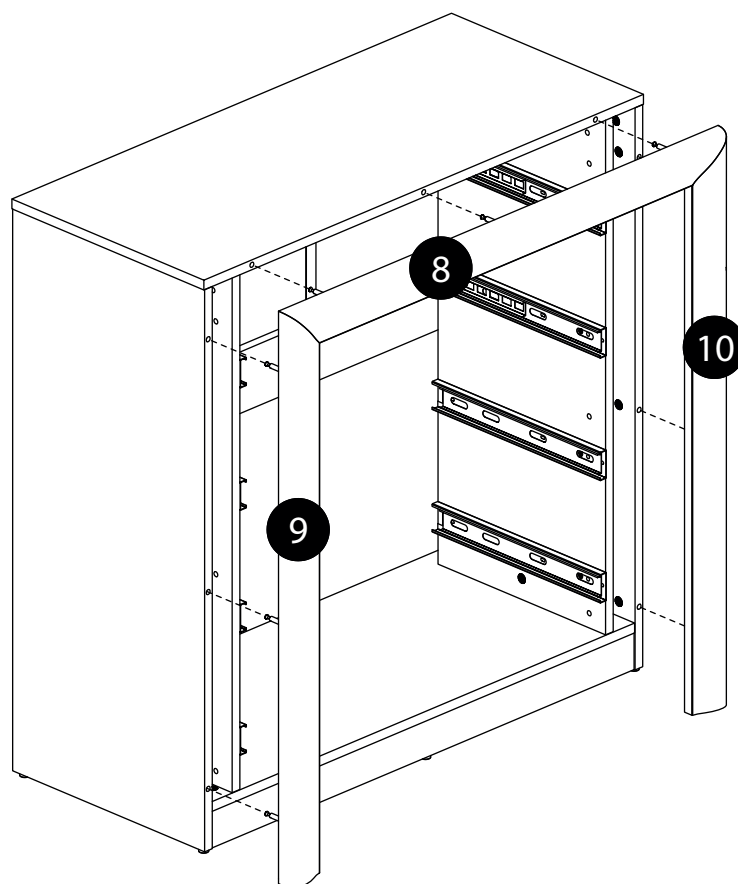
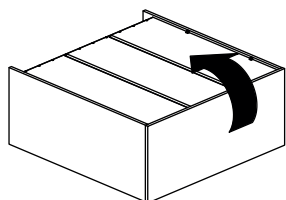
# 25.



26.



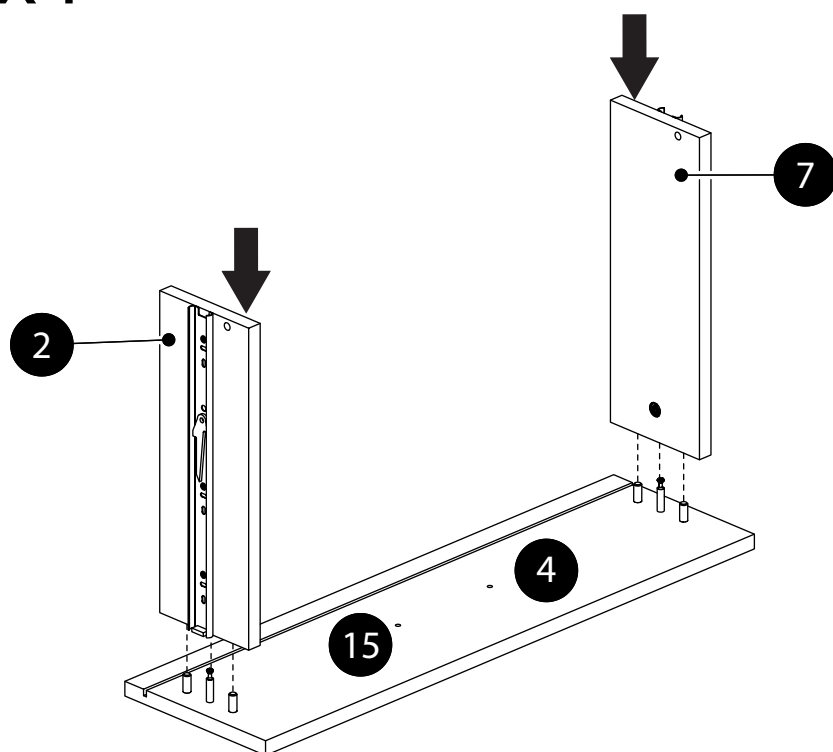
27.





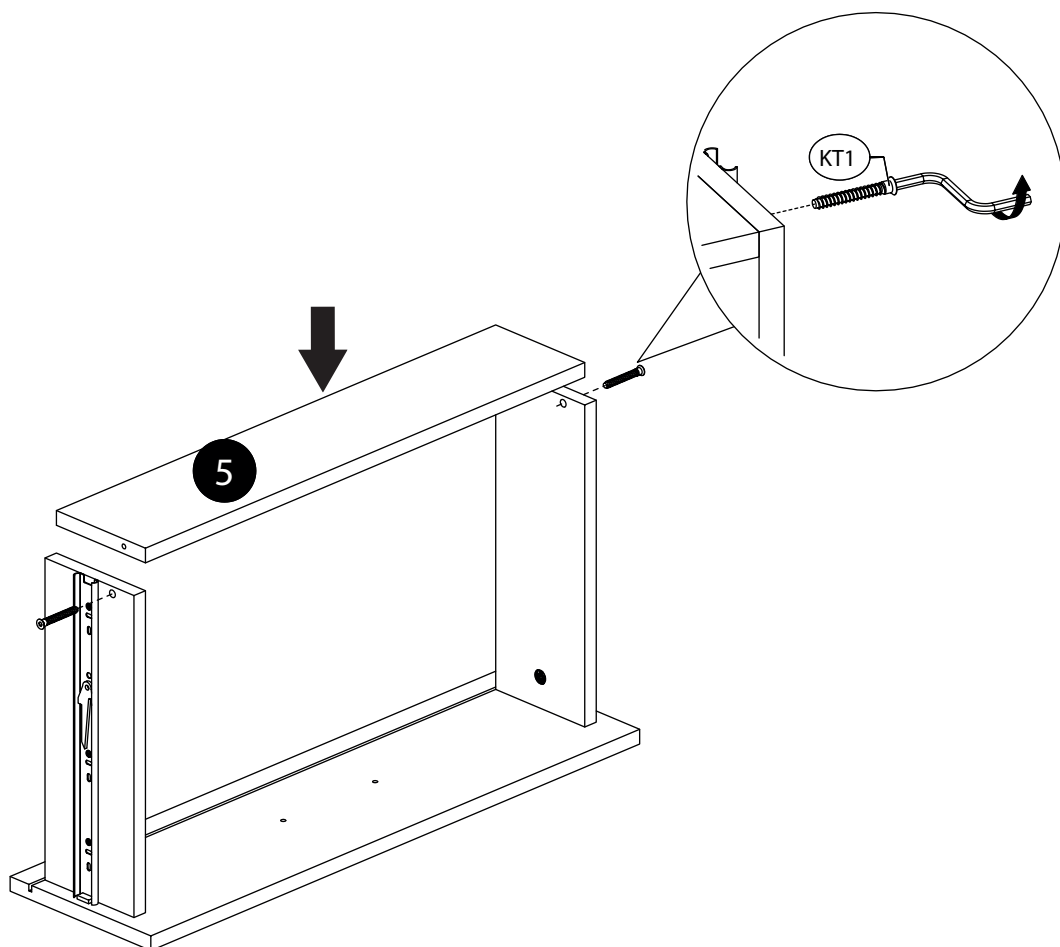
28.

x4

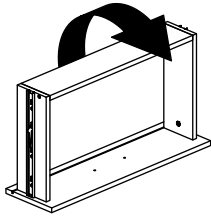


29.

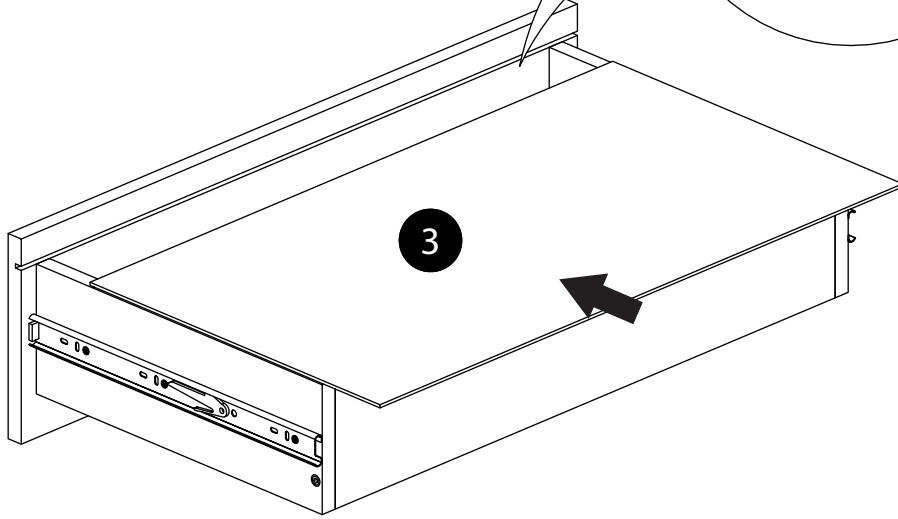
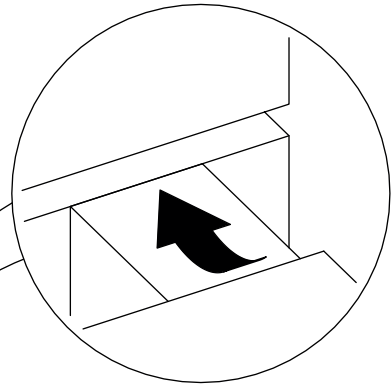
x4



30.



x4

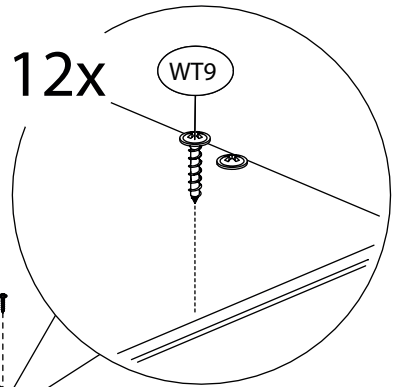
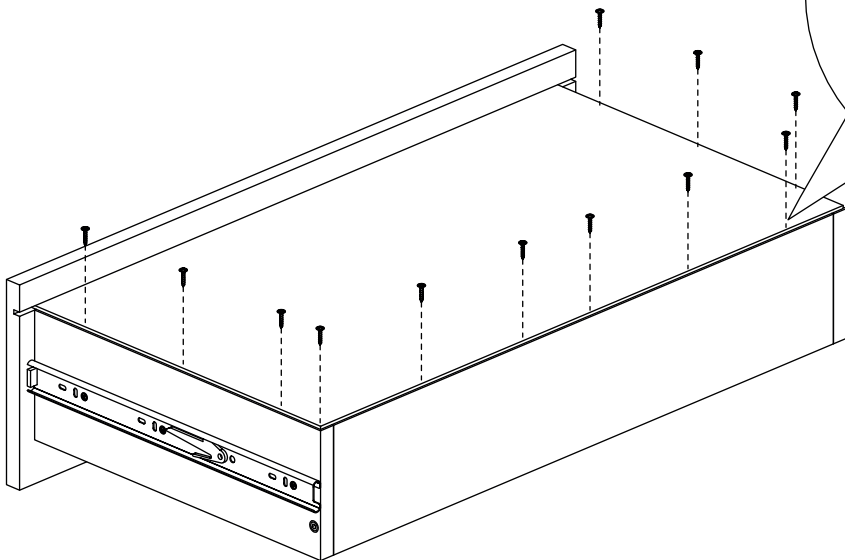


31.

x4

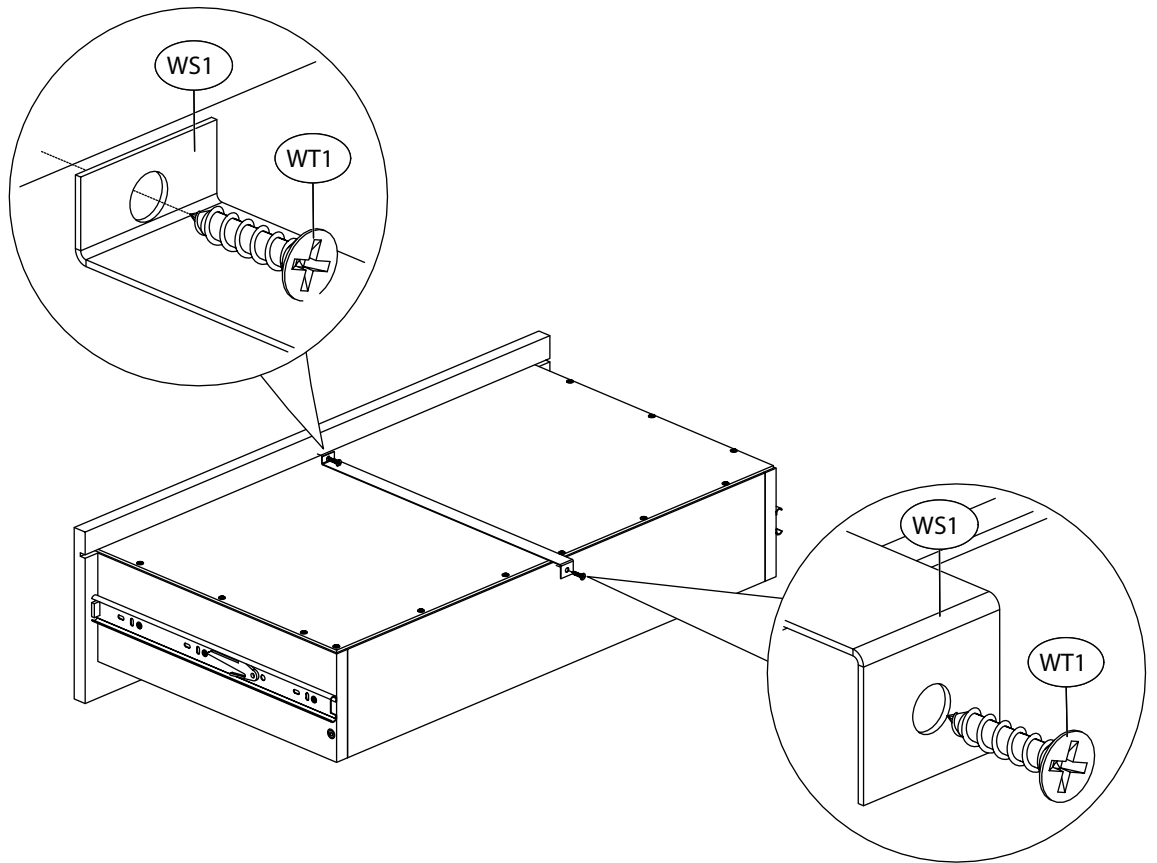
12x

WT9



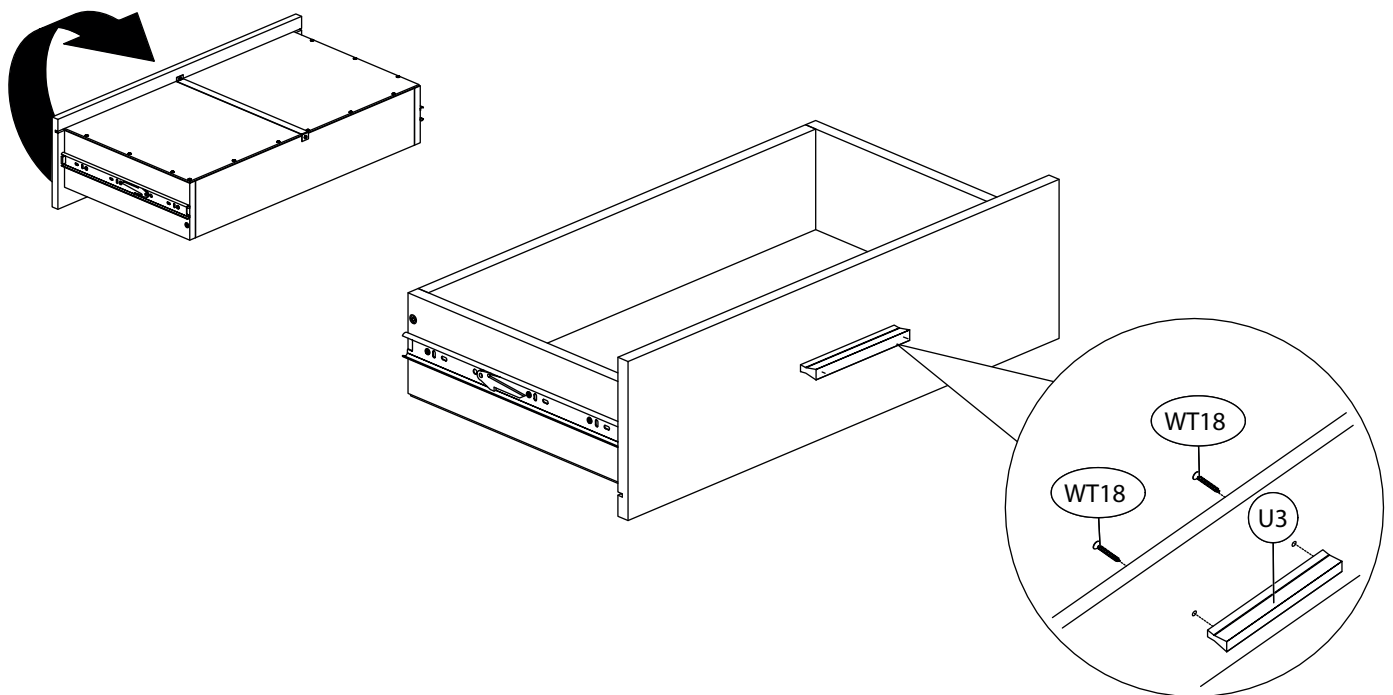
32.

x4

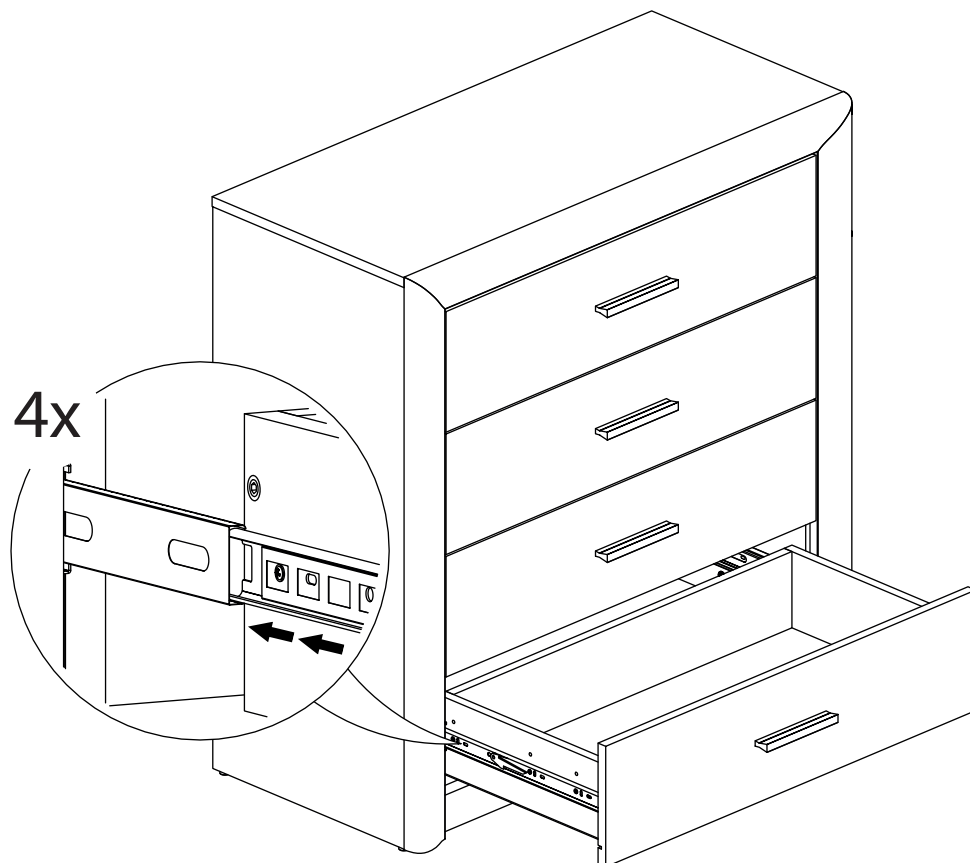


33.

x4



34.



35.

