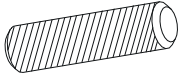
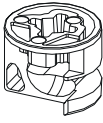



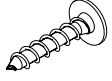
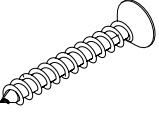
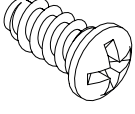

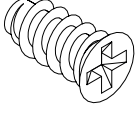



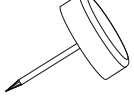

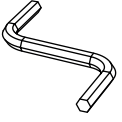
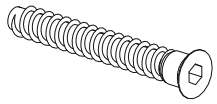
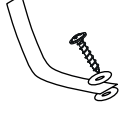



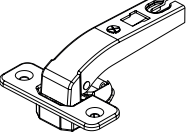
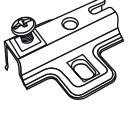
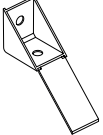
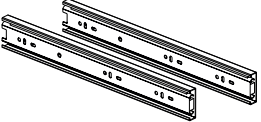
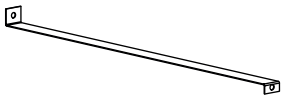
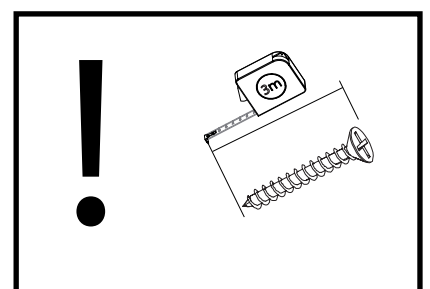


CASTEL 08

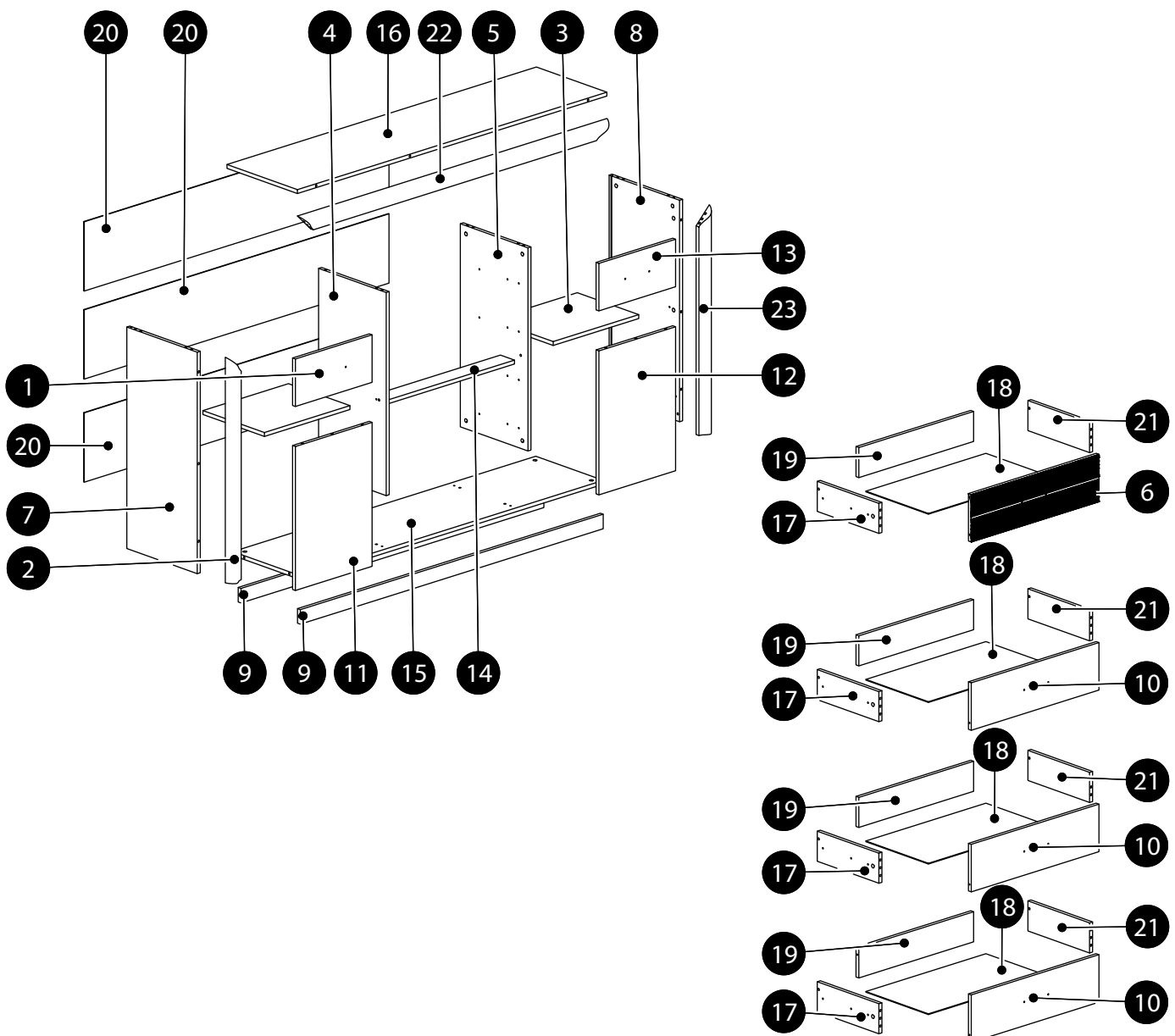
| | | |
|--|---|---|
| <p>K1 x 40 8x32</p>  | <p>B2 x 50 h-12</p>  | <p>ZD1 x 8 L68</p>  |
| <p>ZJ1 x 34 L-43</p>  | <p>ZS2 x 26 Ø20</p>  | <p>WT9 x 60 3x16</p>  |
| <p>WT18 x 12 4x30</p>  | <p>WE2 x 8 EK6,3x13B</p>  | <p>WT1 x 30 3,5x15</p>  |
| <p>WE7 x 24 ES6,3x13KBH</p>  | <p>GW1 x 30 1,4x25</p>  | <p>PO2 x 8 Ø5</p>  |
| <p>SP x 8</p>  | <p>SG1 x 8</p>  | <p>TUD2 x 6 8,2x12x3</p>  |
| <p>x 1</p>  | <p>KT1 x 10 6,3x50</p>  | <p>PZK x 1</p>  |
| <p>U3 x 6 L-148</p>  | <p>KL x 1</p>  | <p>KW7 x 2 50x50</p>  |
| <p>ZP8 x 4 ROWN</p>  | <p>PK3 x 4 H-2</p>  | <p>PO4 x 2</p>  |
| <p>P1 x 4 L-350</p>  | <p>WS1 x 4 L-350</p>  | |

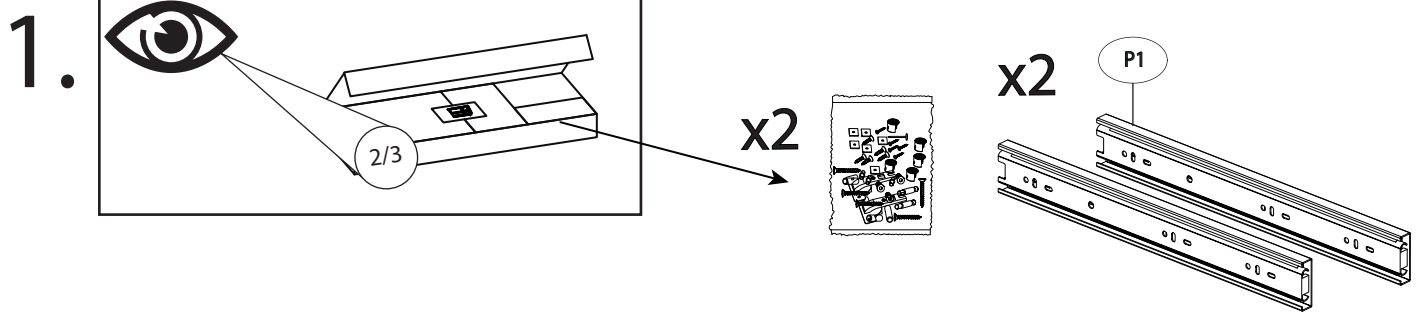


CASTEL 08

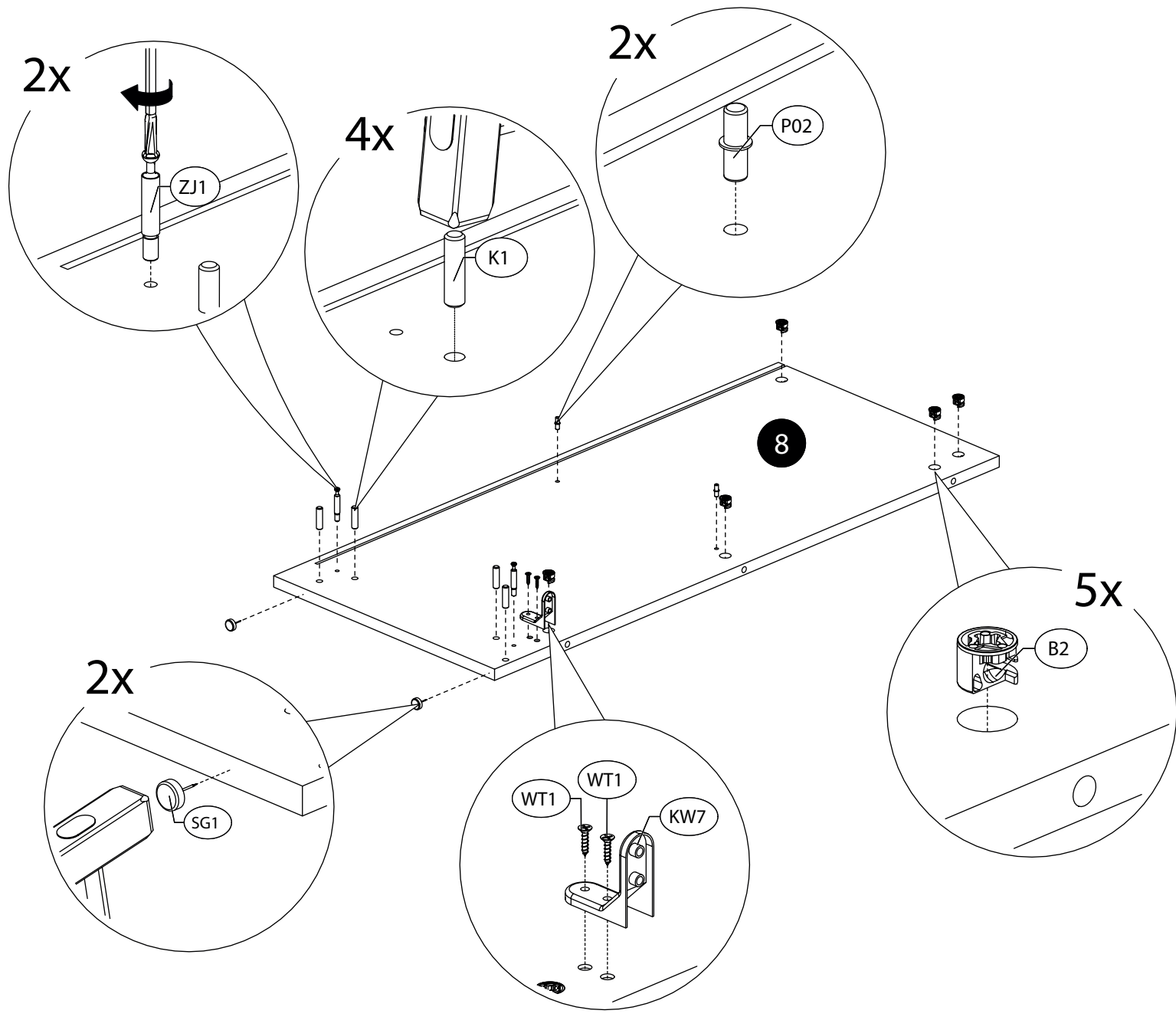
| | CODE | | | | |
|----|-------------|------|-----|---|-----|
| 1 | Castel08_16 | 409 | 196 | 1 | 2/3 |
| 2 | Castel08_19 | 931 | 70 | 1 | 3/3 |
| 3 | Castel08_10 | 456 | 349 | 2 | 1/3 |
| 4 | Castel08_03 | 838 | 383 | 1 | 2/3 |
| 5 | Castel08_04 | 838 | 383 | 1 | 2/3 |
| 6 | Castel08_17 | 681 | 196 | 1 | 2/3 |
| 7 | Castel08_01 | 914 | 400 | 1 | 2/3 |
| 8 | Castel08_02 | 914 | 400 | 1 | 1/3 |
| 9 | Castel08_15 | 1615 | 60 | 2 | 2/3 |
| 10 | Castel08_13 | 681 | 196 | 1 | 2/3 |
| 11 | Castel08_11 | 409 | 594 | 1 | 2/3 |

| | CODE | | | | |
|----|----------------|------|-----|---|-----|
| 12 | Castel08_12 | 409 | 594 | 1 | 2/3 |
| 13 | Castel08_18 | 409 | 196 | 1 | 2/3 |
| 14 | Castel08_14 | 669 | 80 | 1 | 2/3 |
| 15 | Castel08_05 | 1615 | 384 | 1 | 1/3 |
| 16 | Castel08_06 | 1650 | 400 | 1 | 1/3 |
| 17 | Castel08_07 | 350 | 124 | 4 | 1/3 |
| 18 | Castel08HDF_02 | 641 | 355 | 4 | 1/3 |
| 19 | Castel08_09 | 612 | 124 | 4 | 1/3 |
| 20 | Castel08HDF_01 | 1625 | 286 | 3 | 1/3 |
| 21 | Castel08_08 | 350 | 124 | 4 | 1/3 |
| 22 | Castel08_21 | 1650 | 70 | 1 | 3/3 |
| 23 | Castel08_20 | 931 | 70 | 1 | 3/3 |

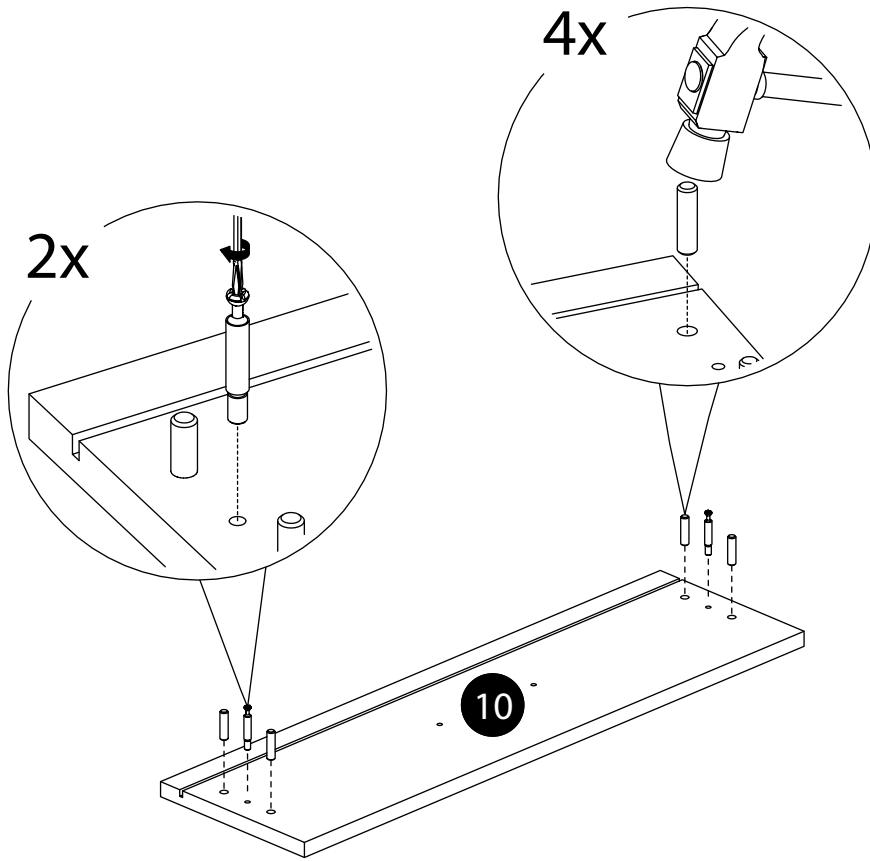




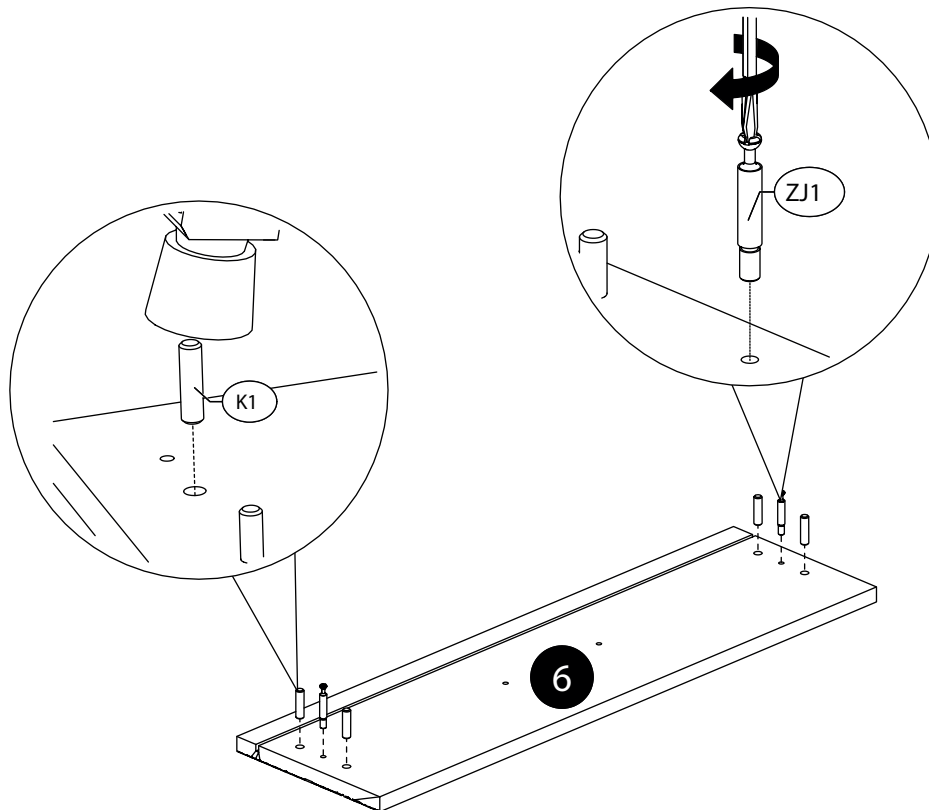
2.



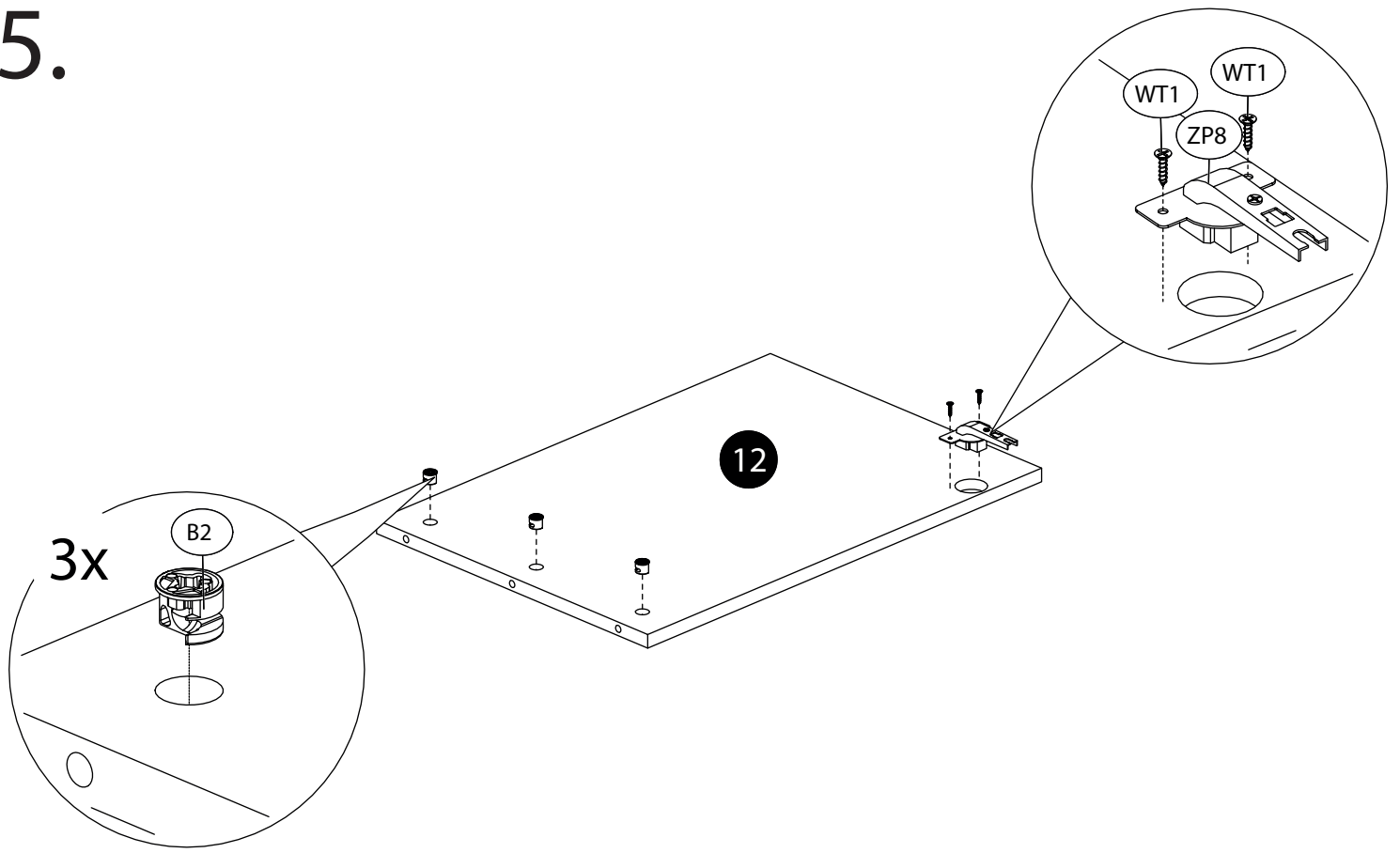
3.



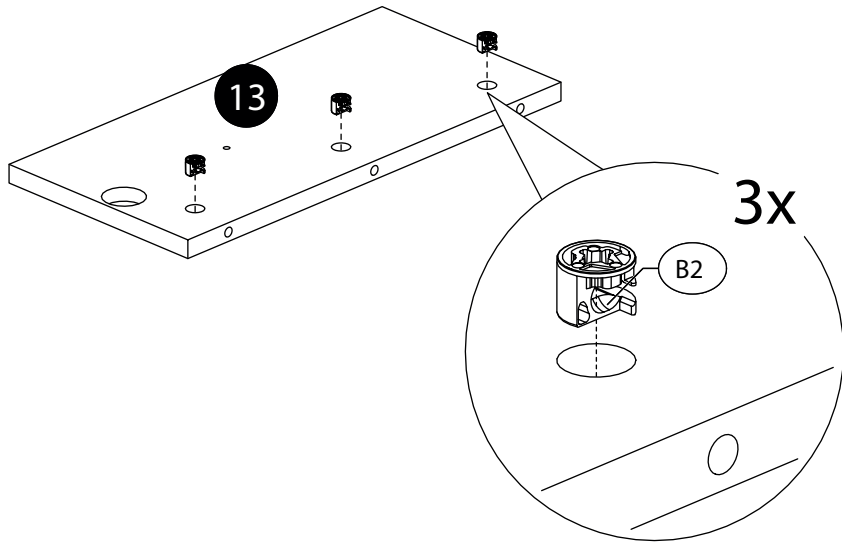
4.



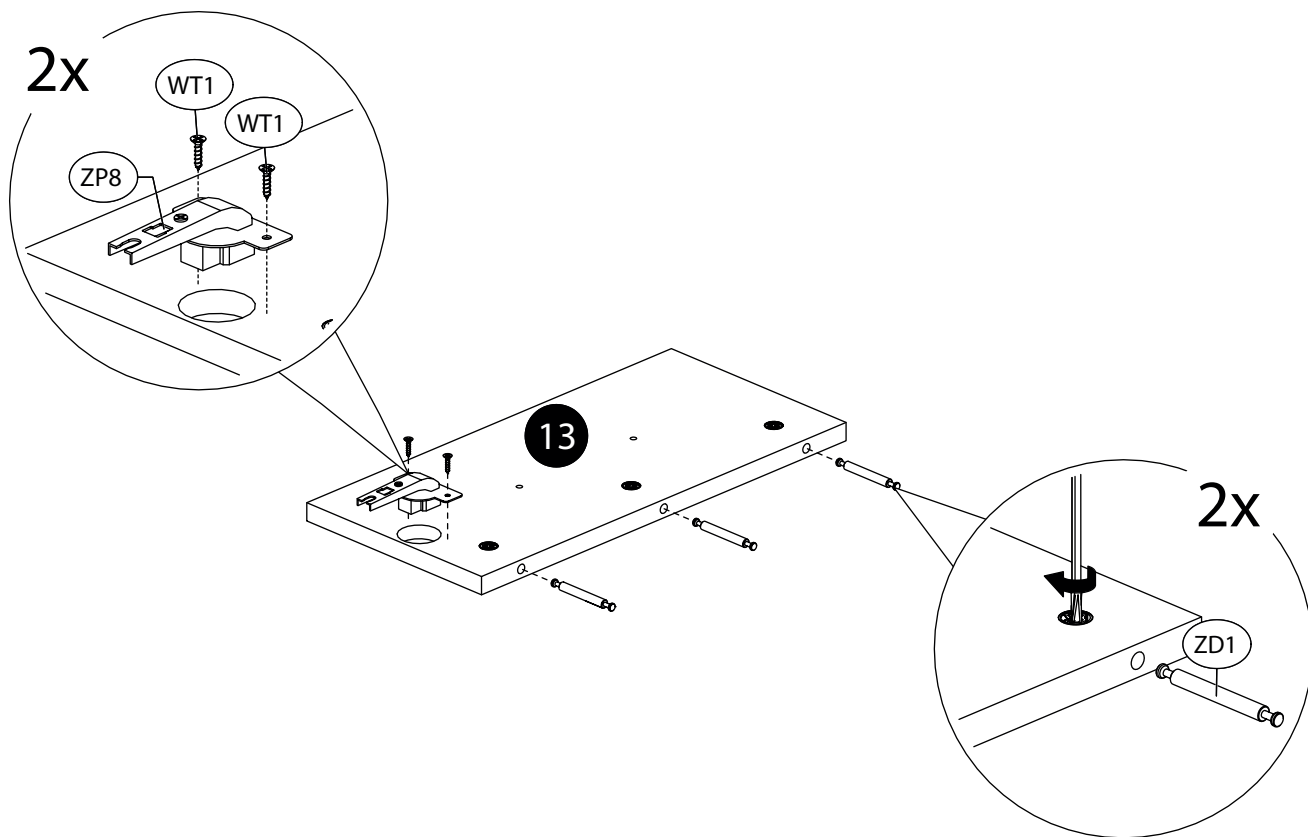
5.



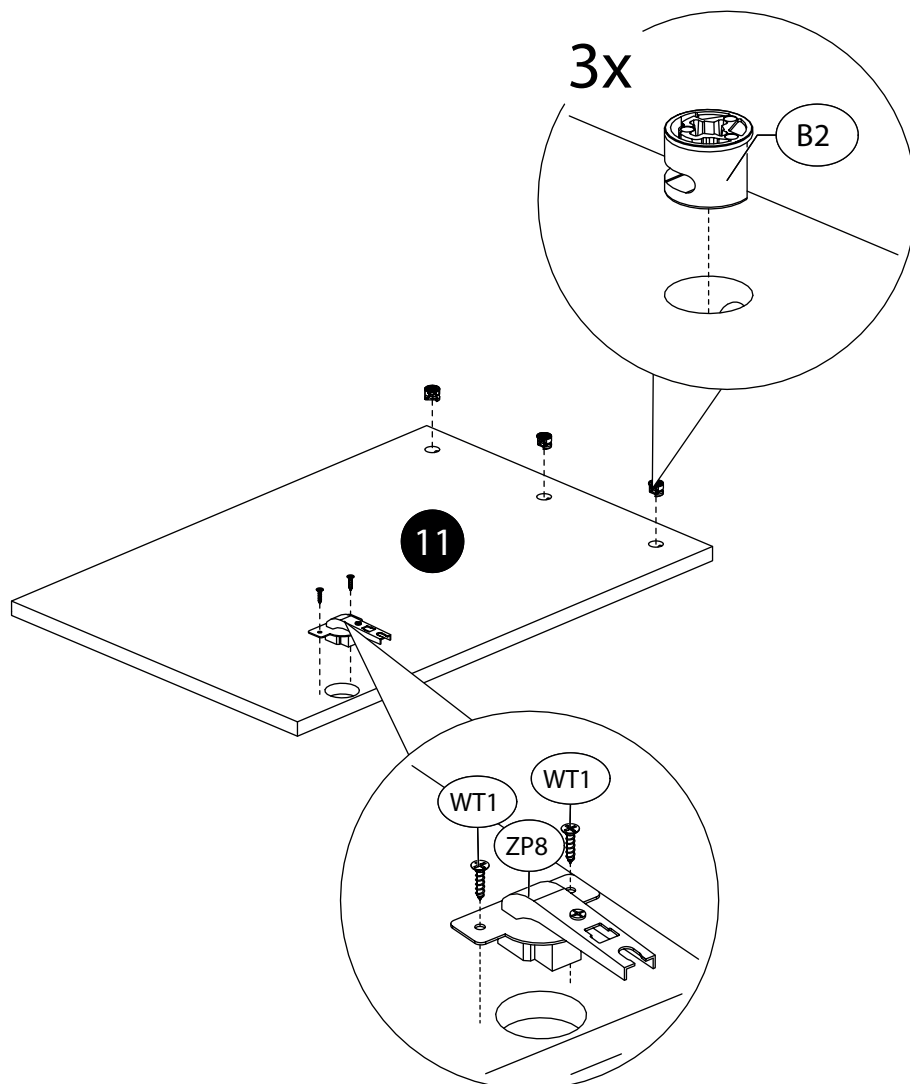
6a.



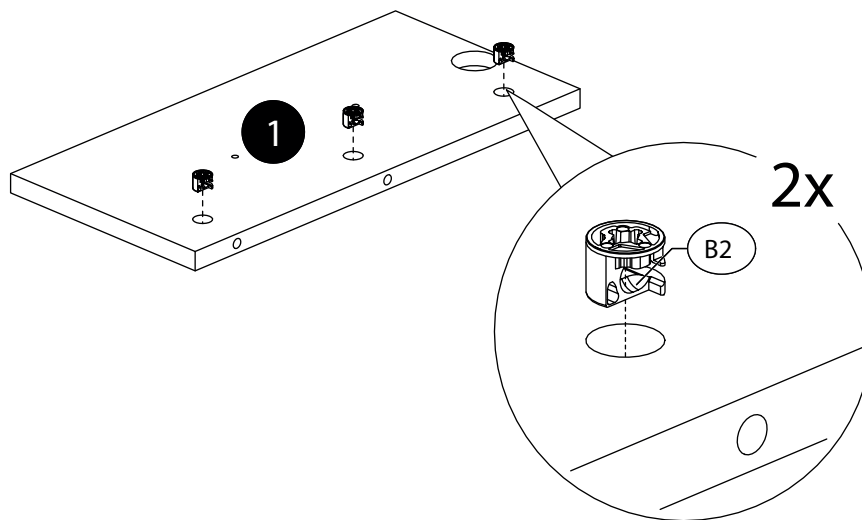
6b.



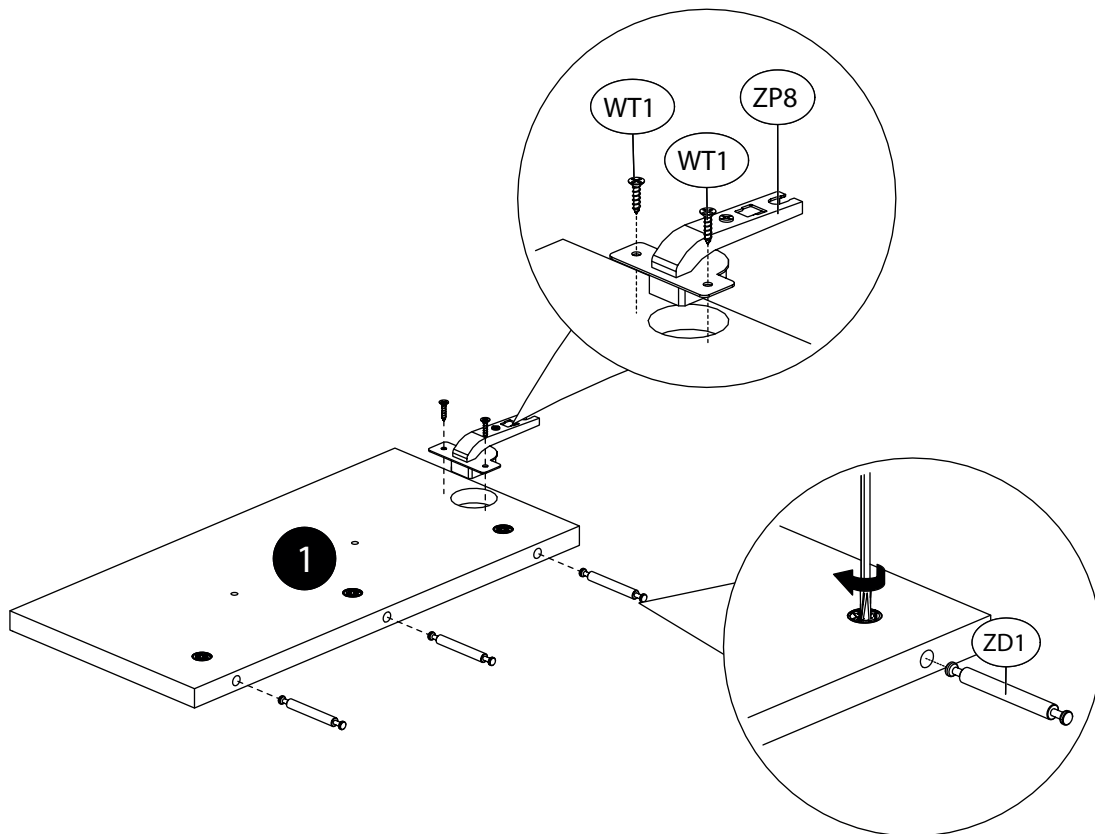
7.



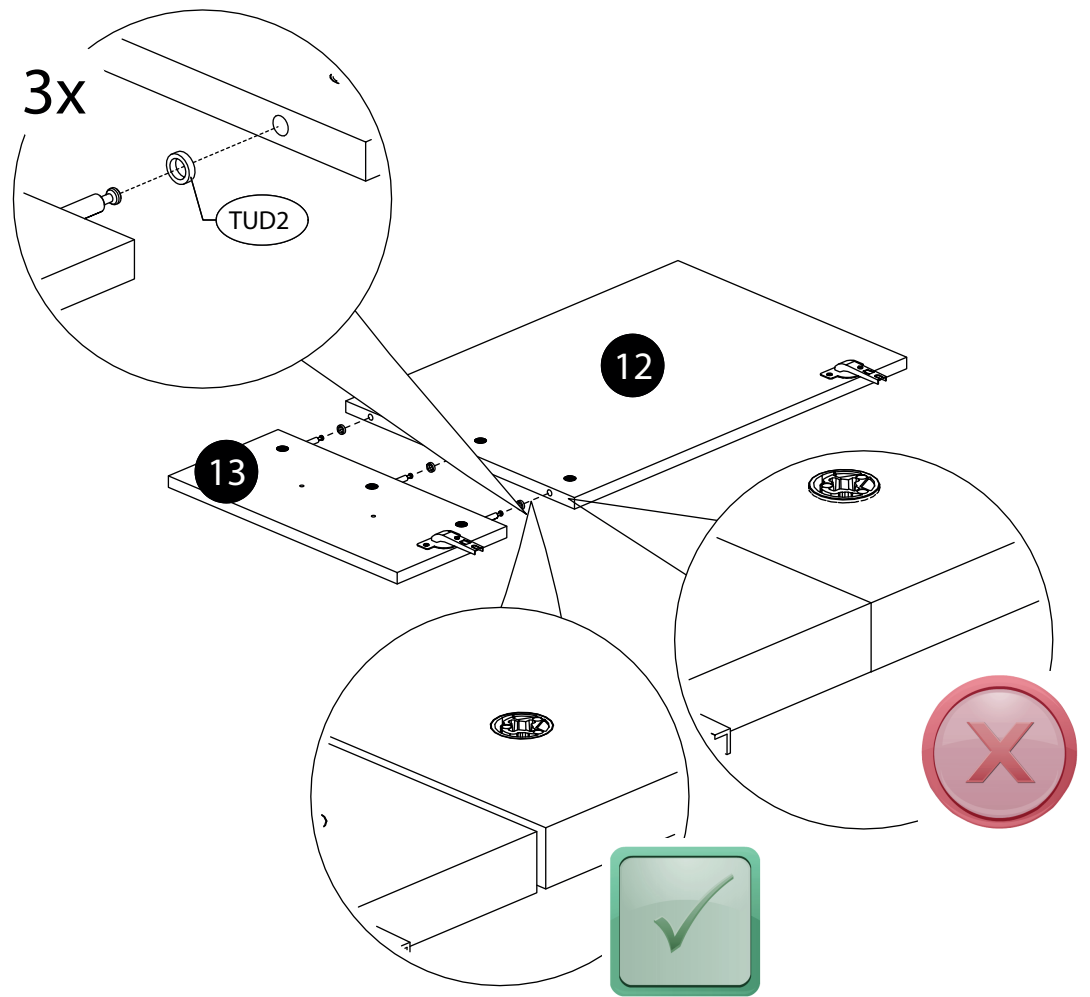
8a.



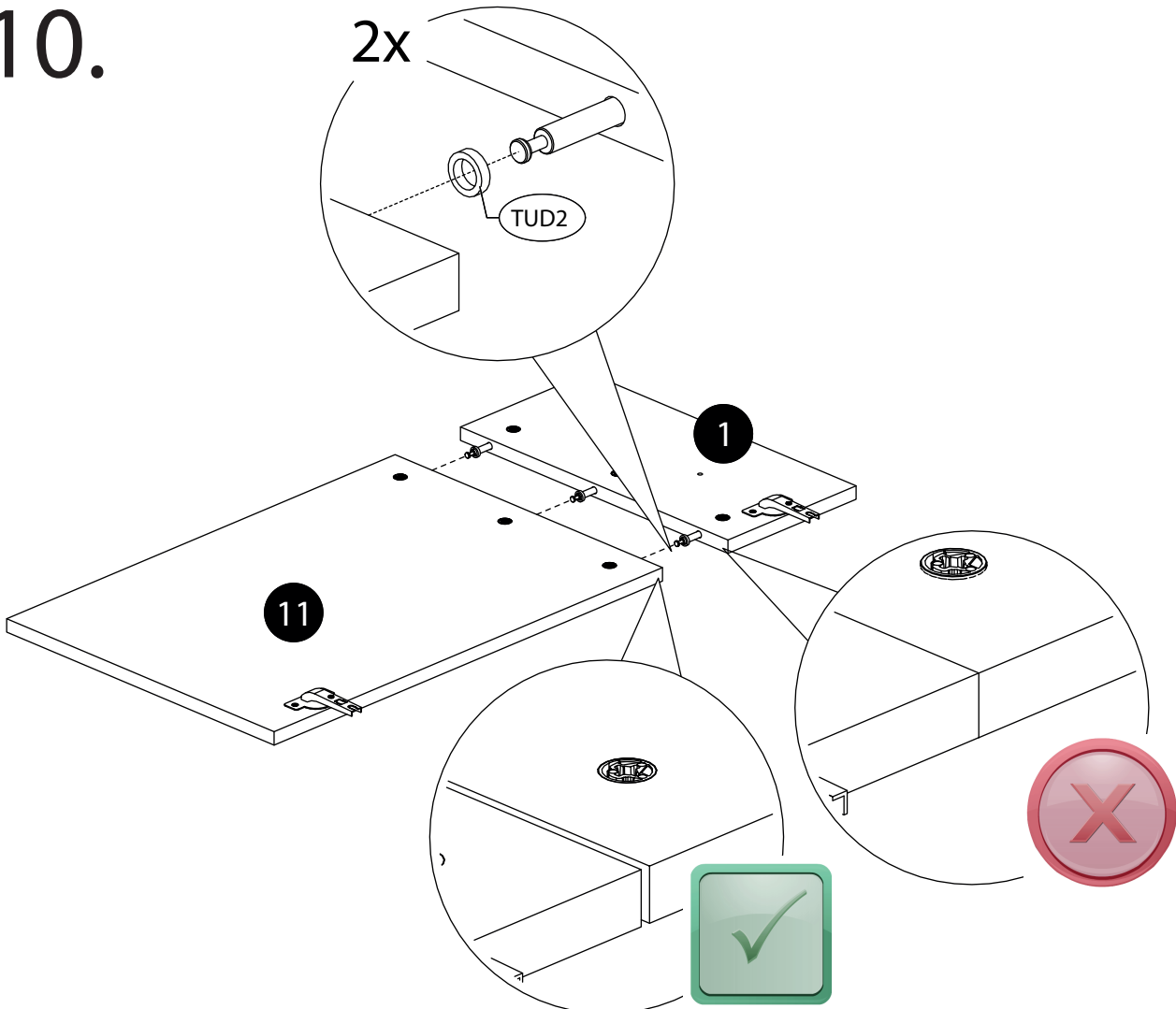
8b.



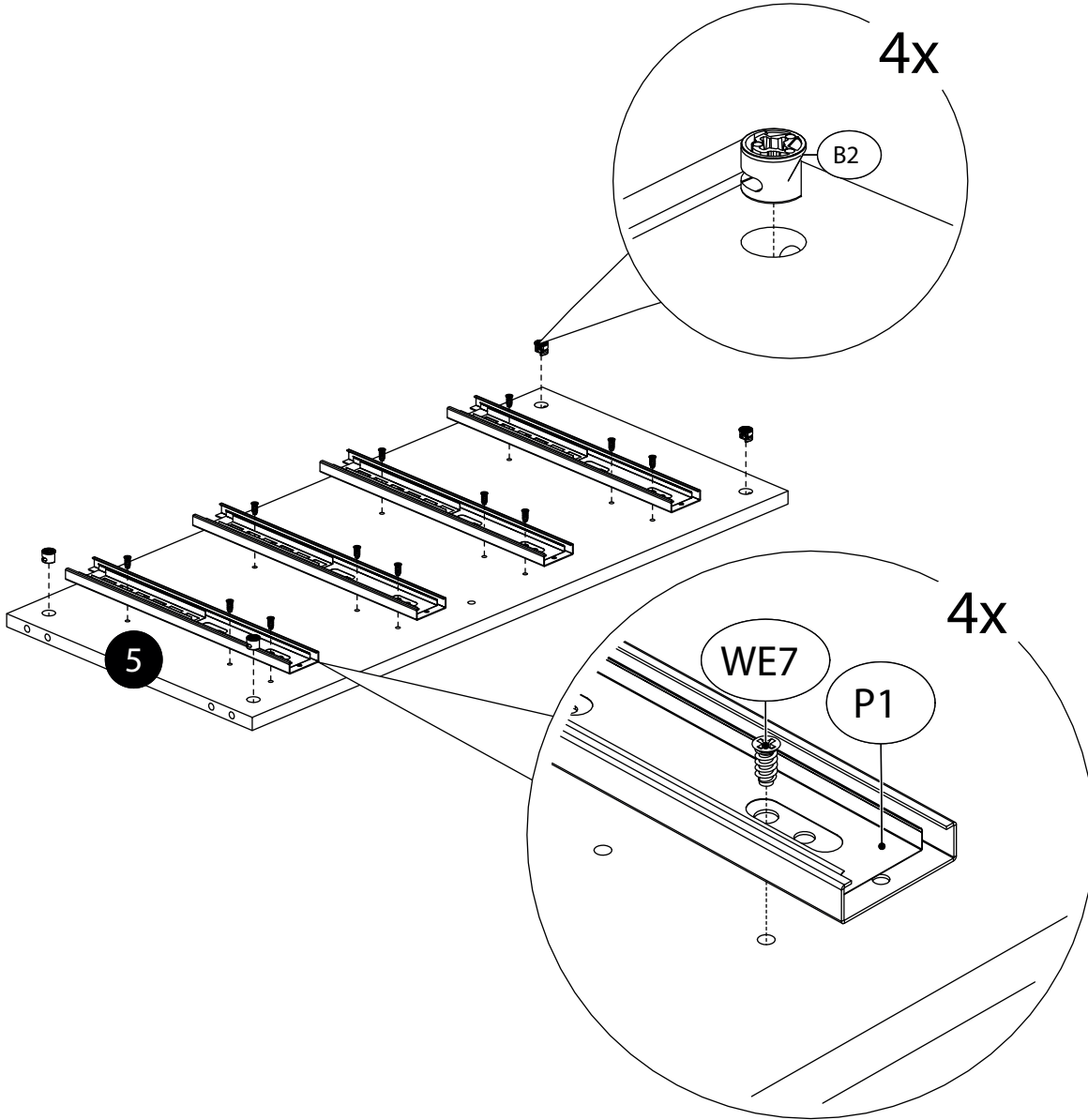
9.



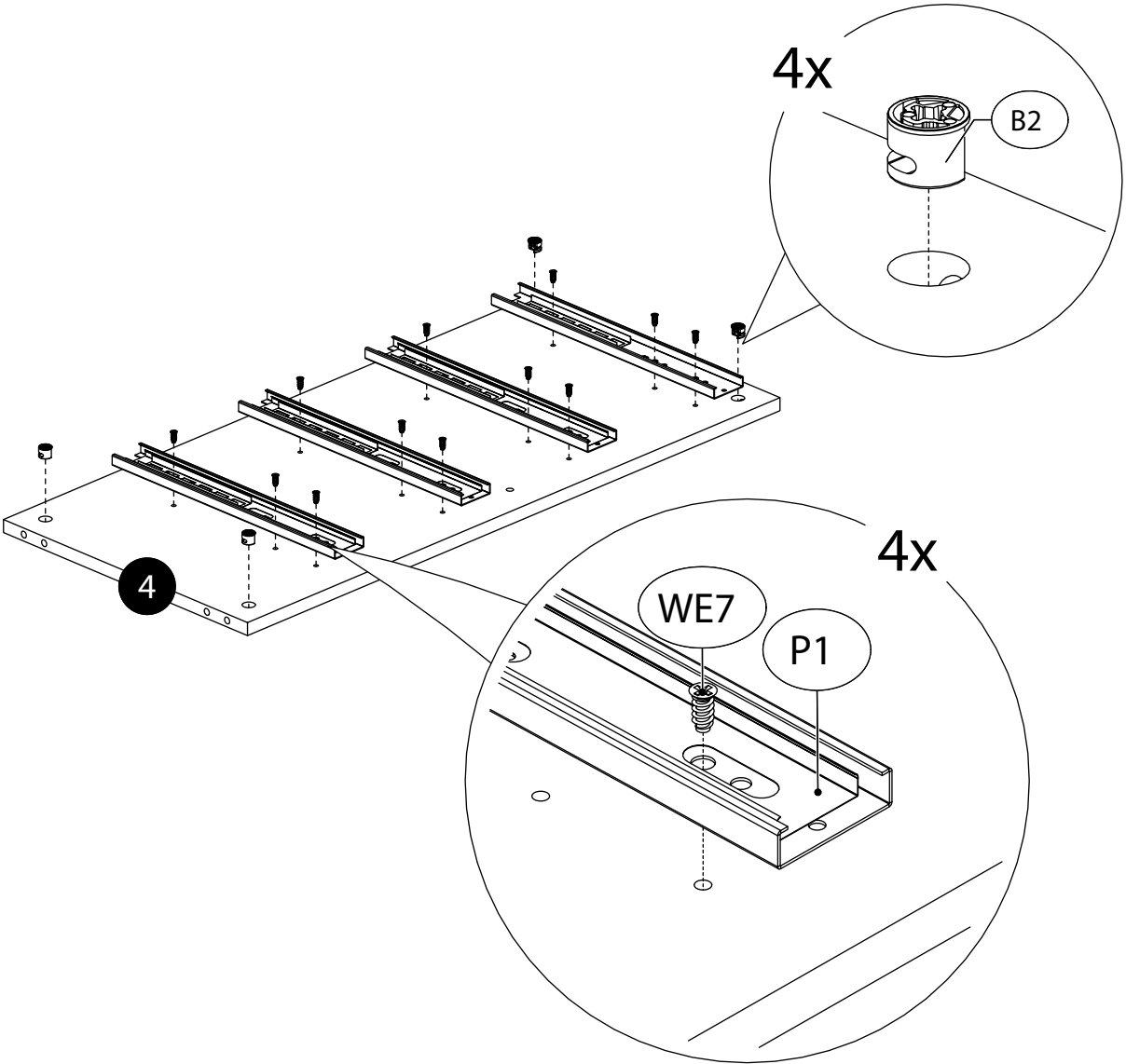
10.



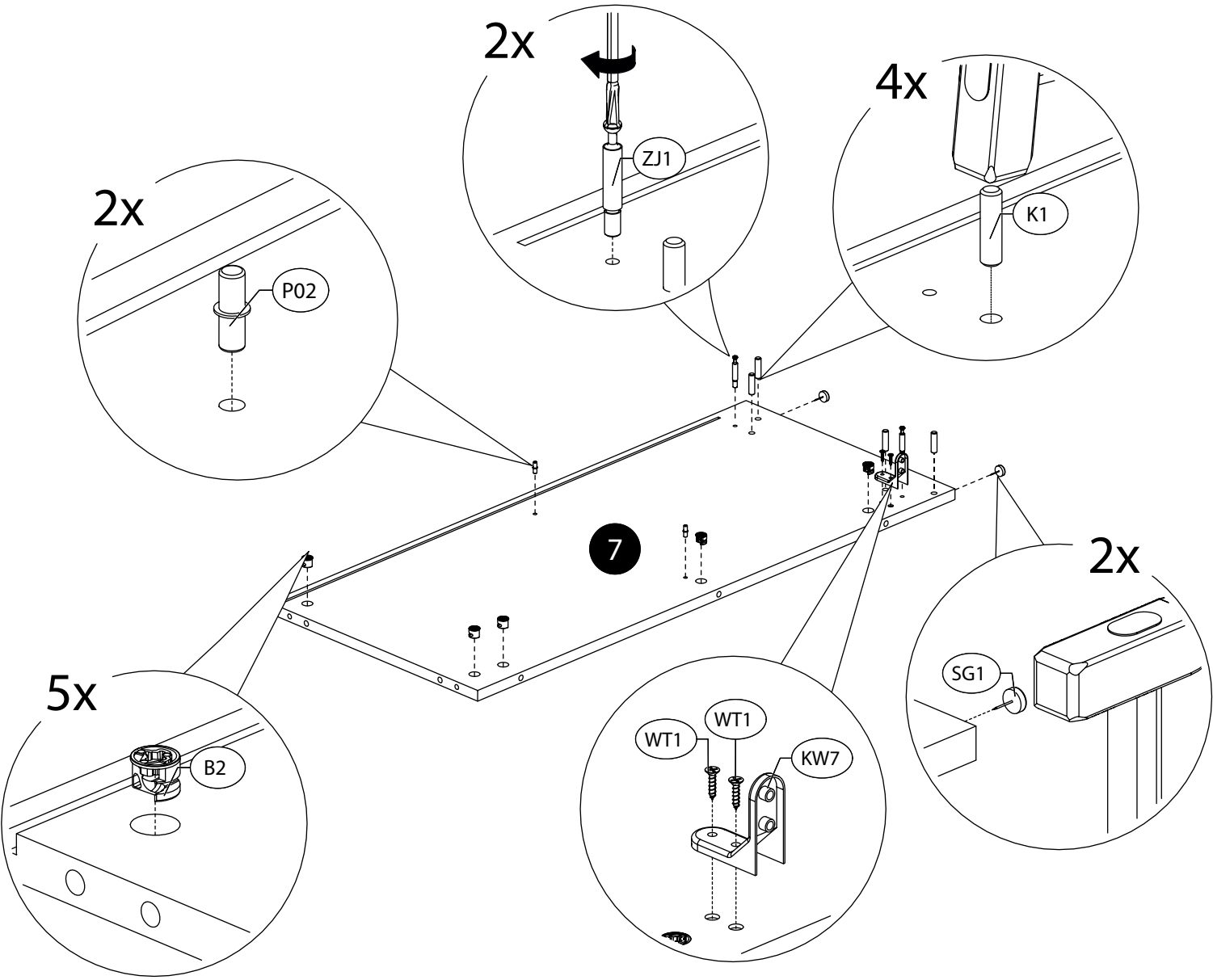
11.



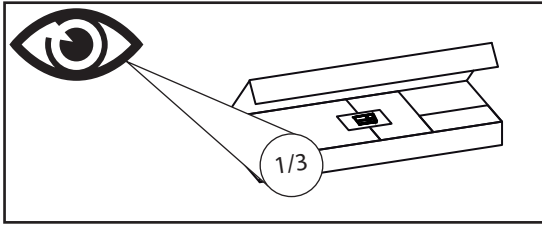
12.



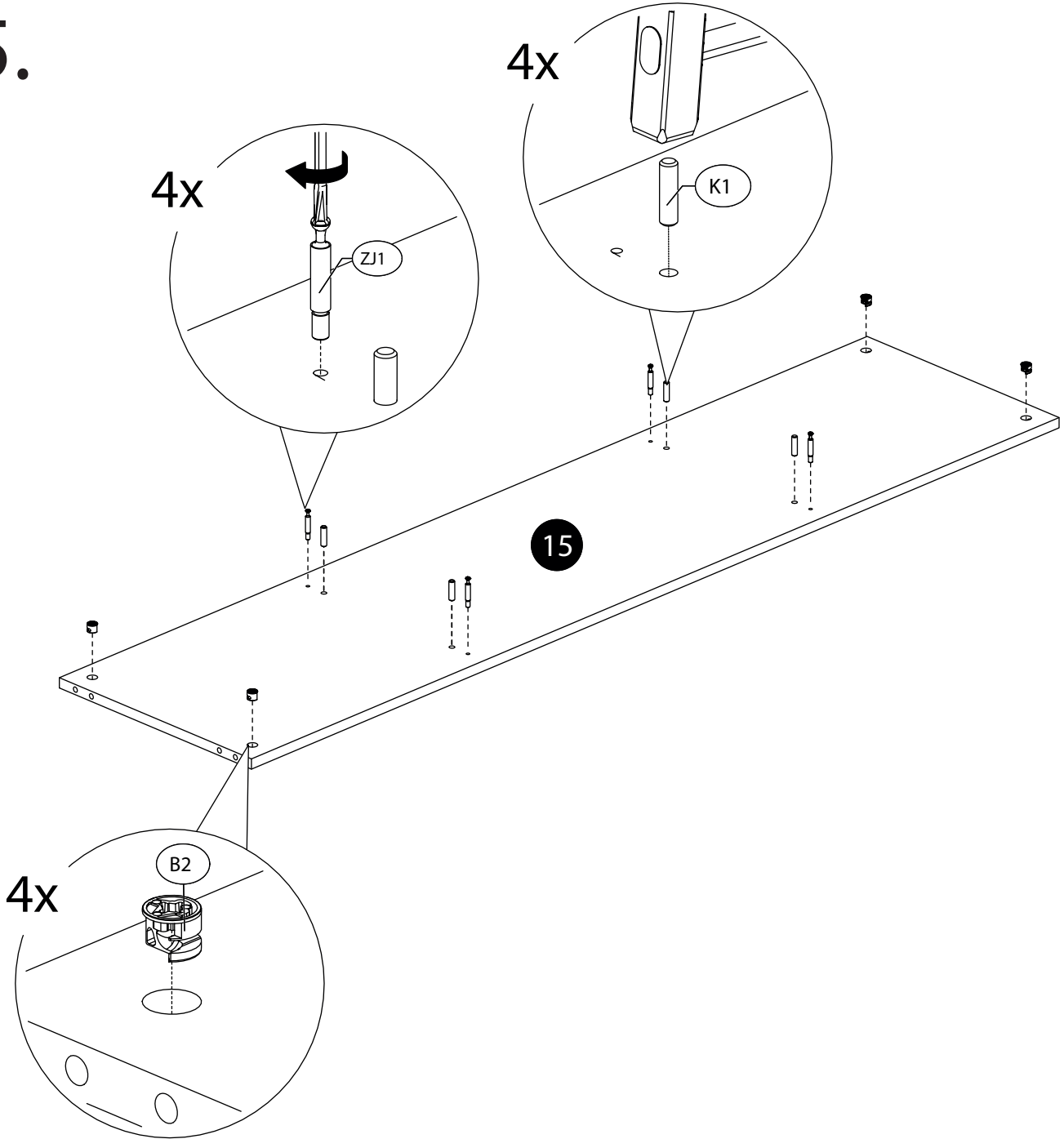
13.



14.

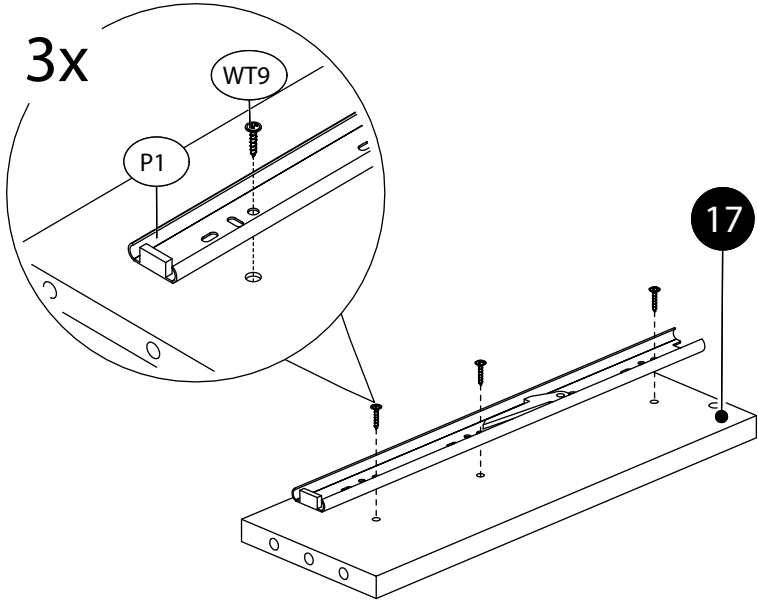


15.



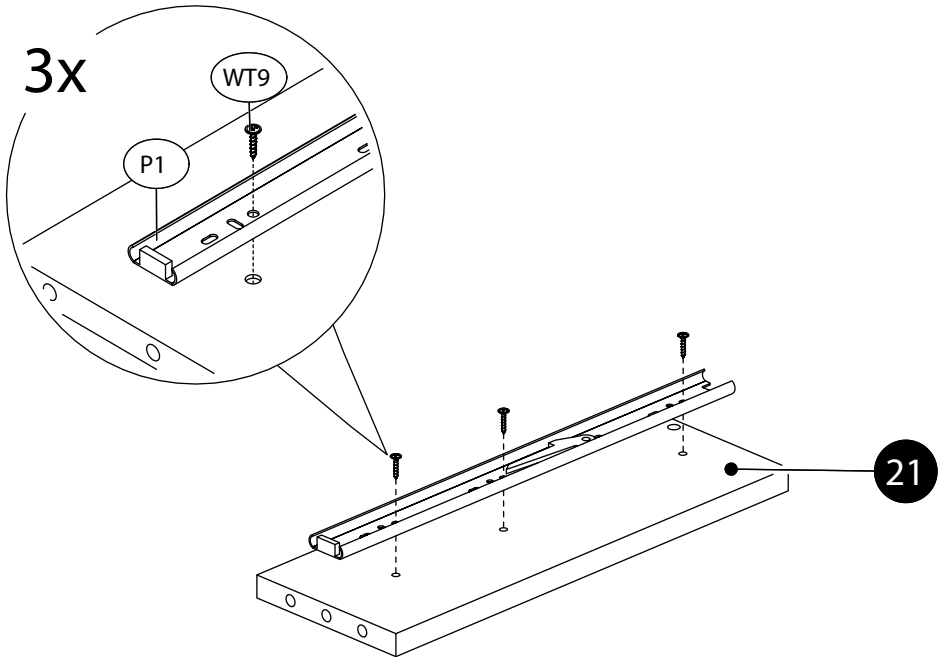
16.

x4

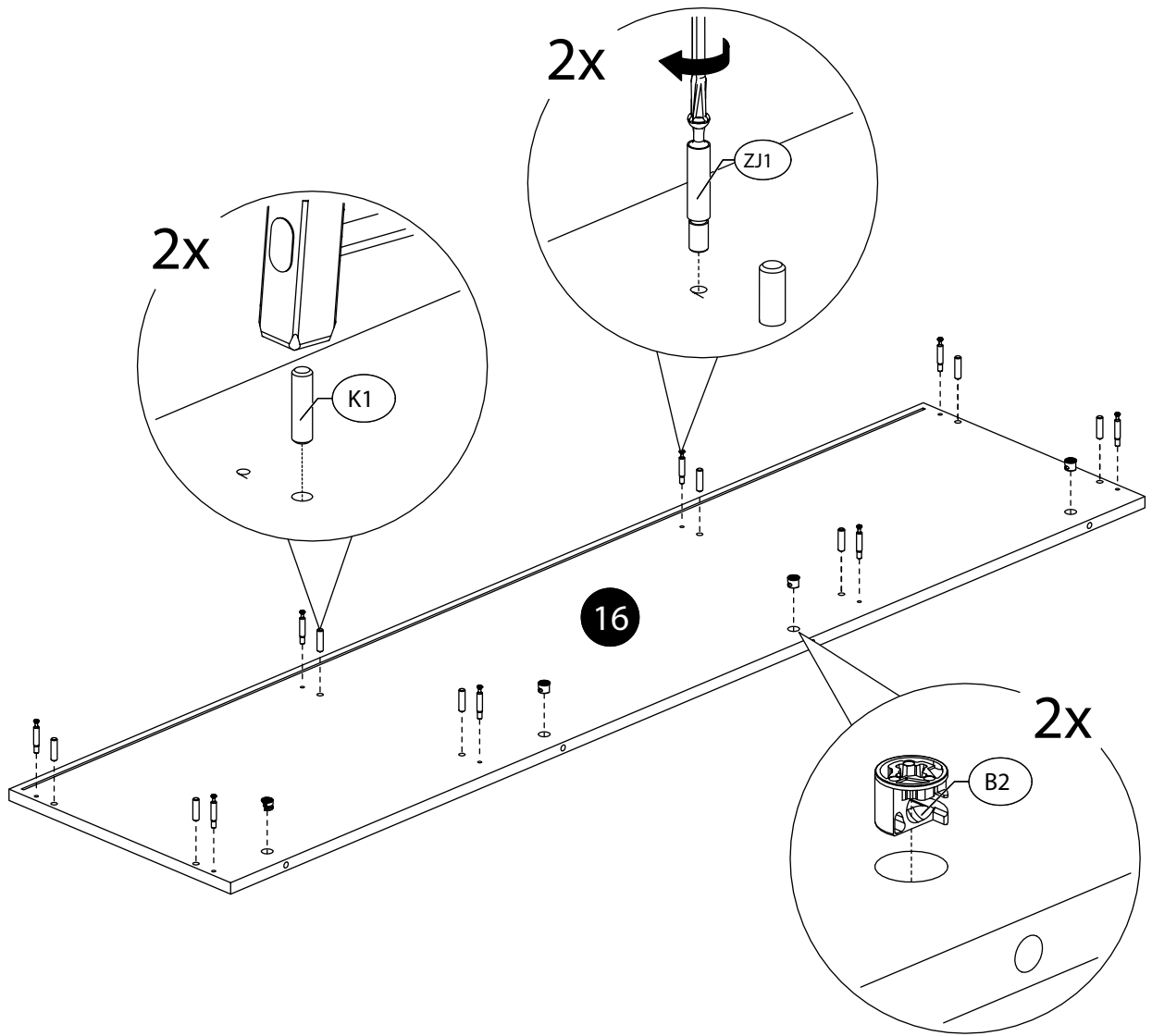


17.

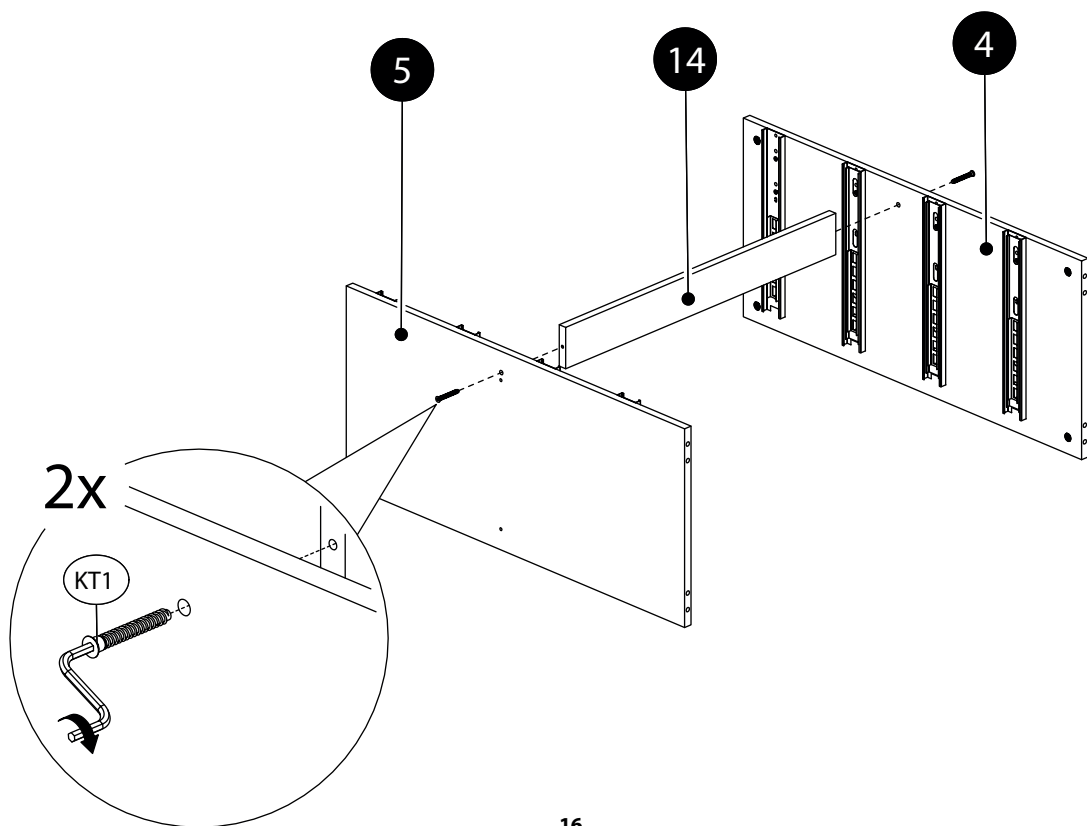
x4



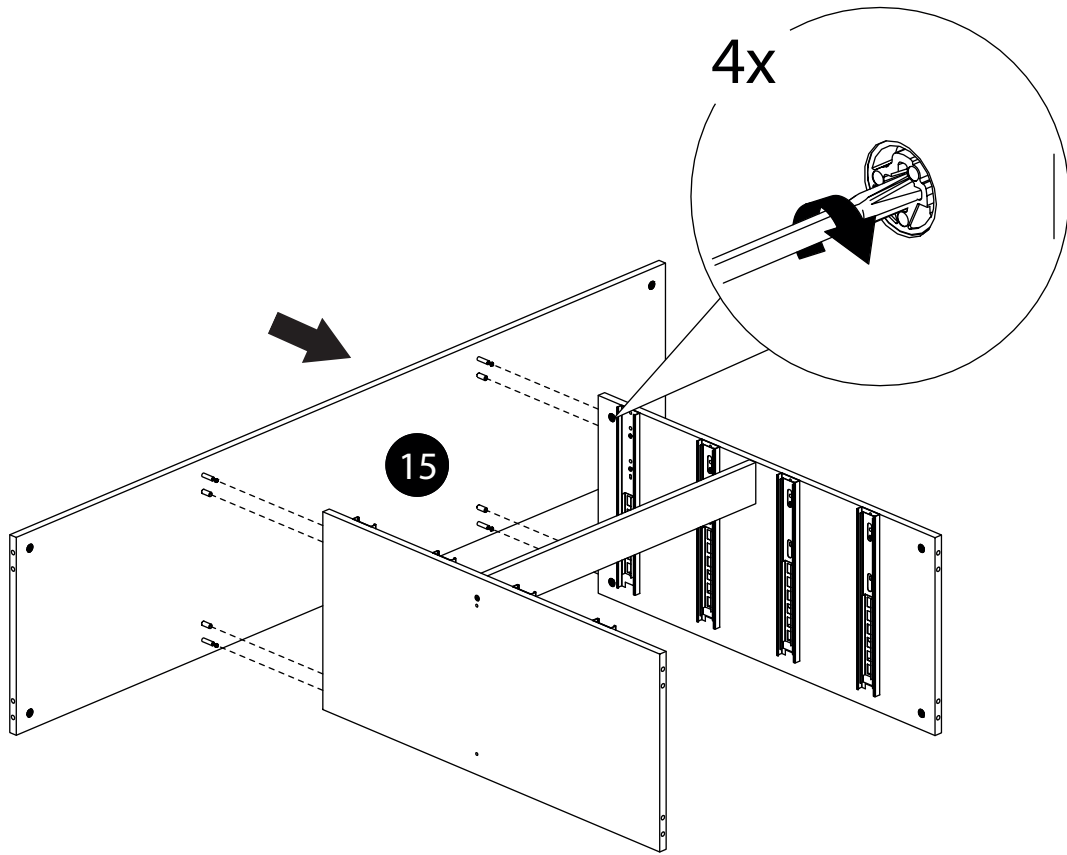
18.



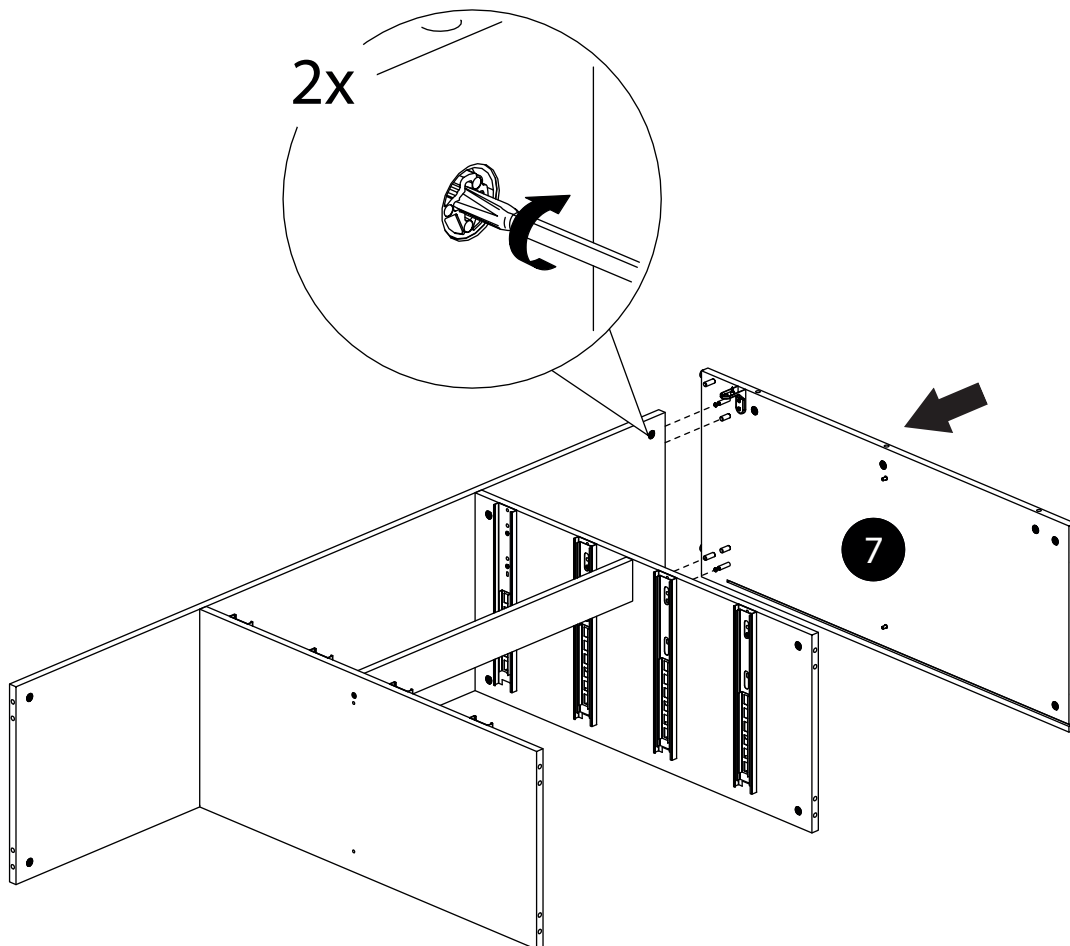
19.



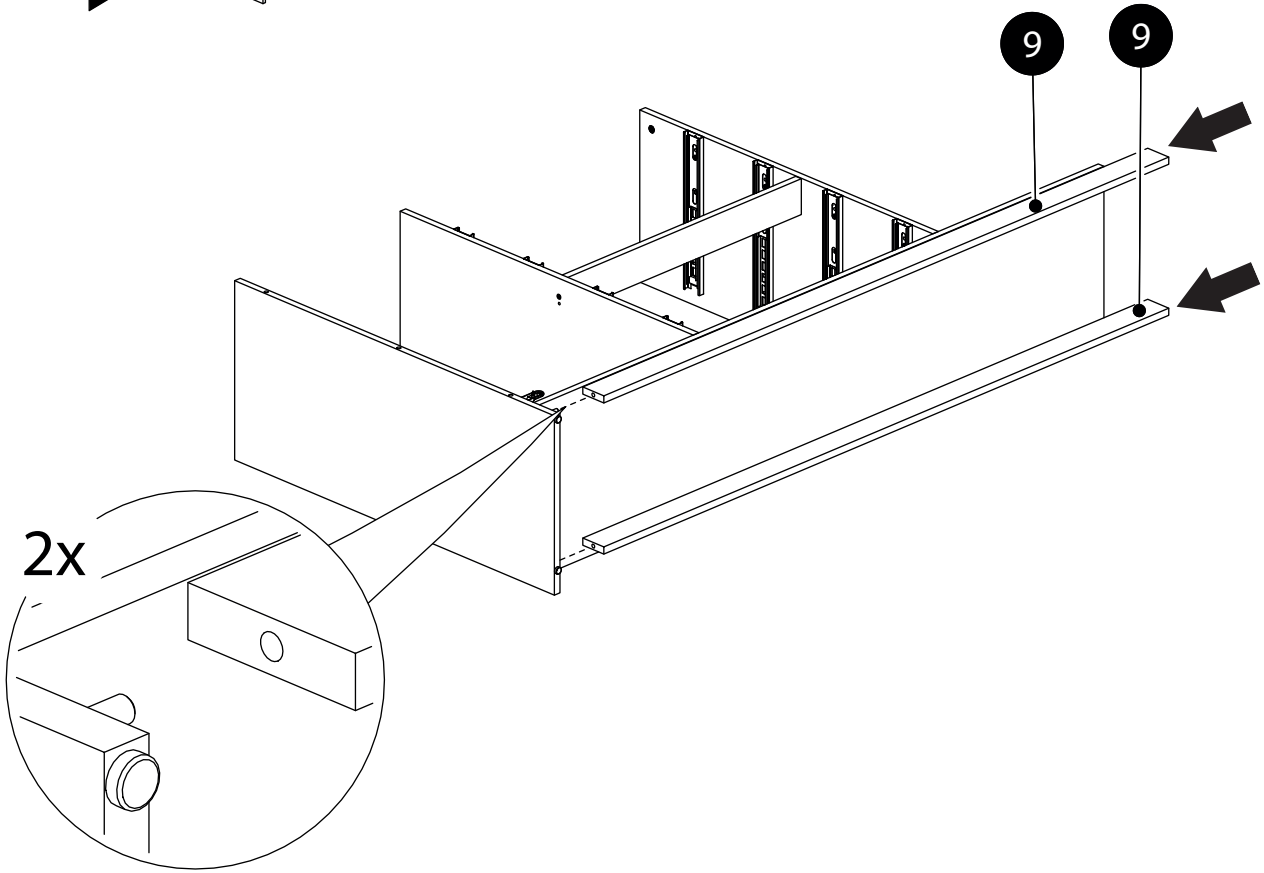
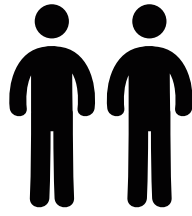
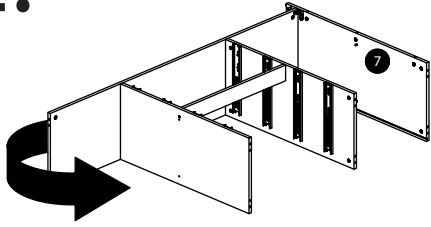
20.



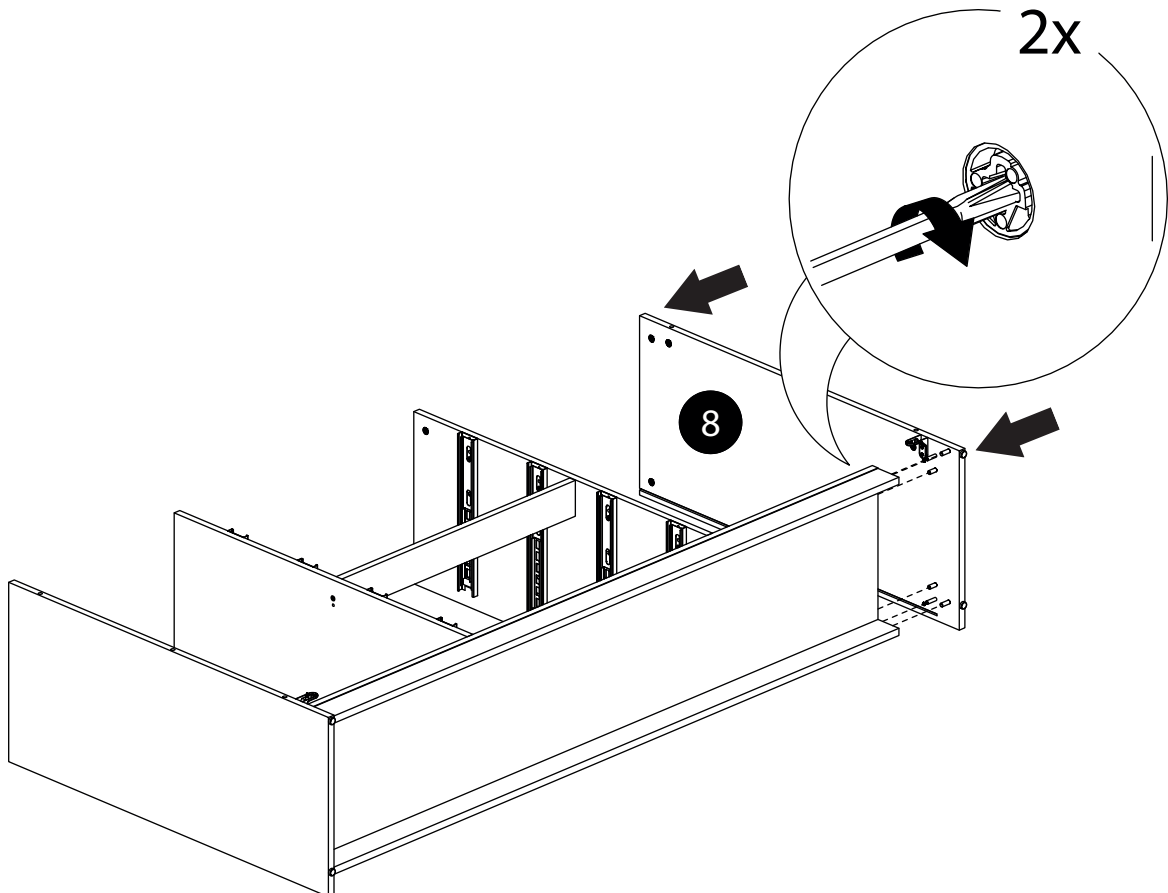
21.



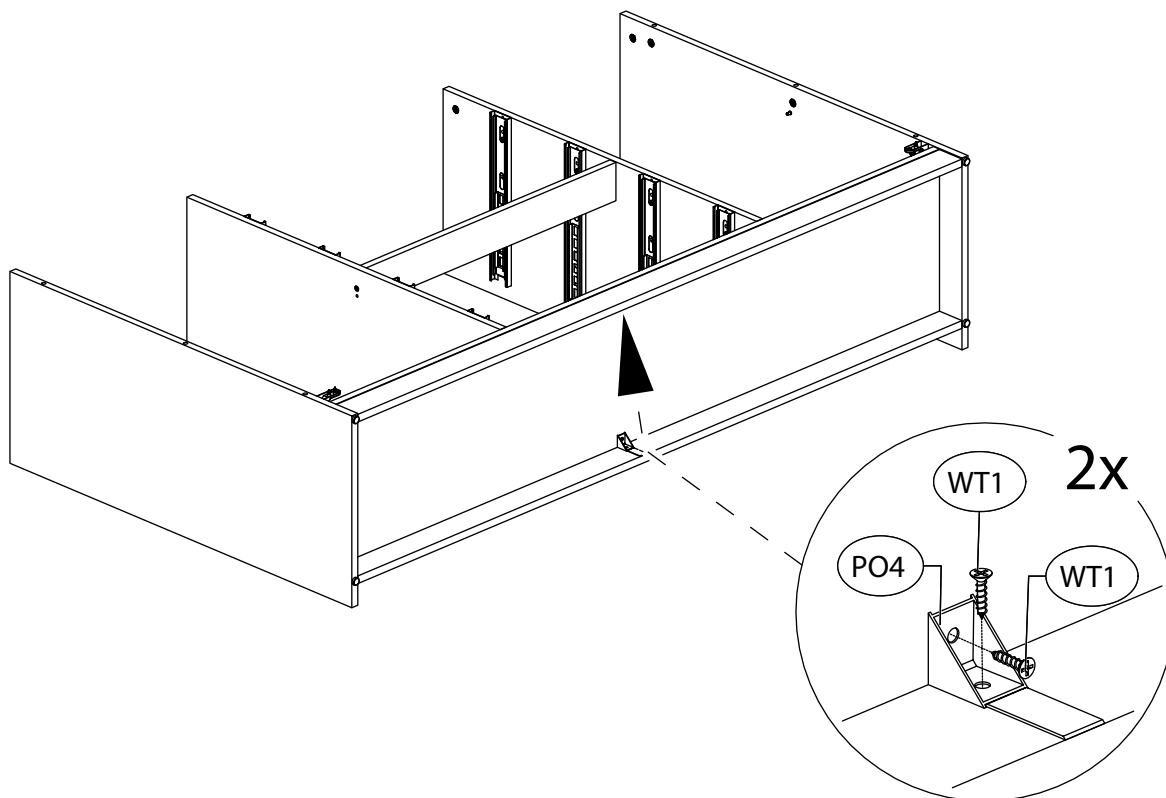
22.



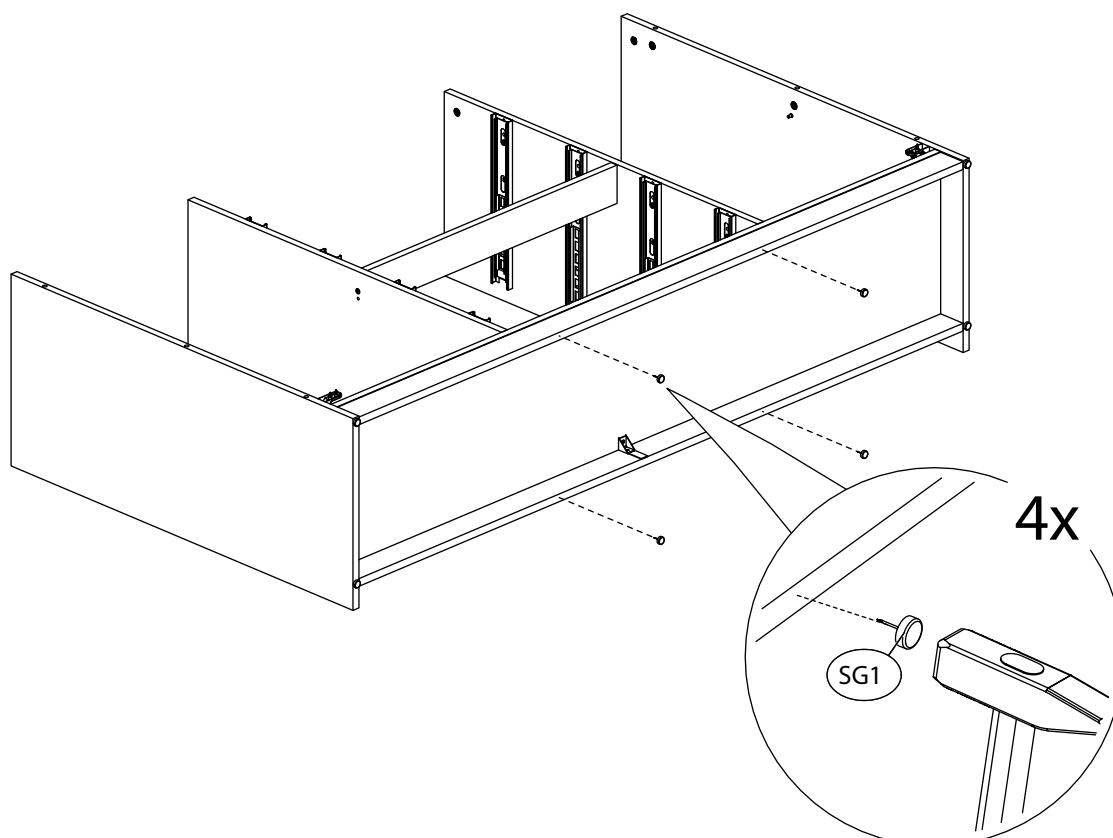
23.



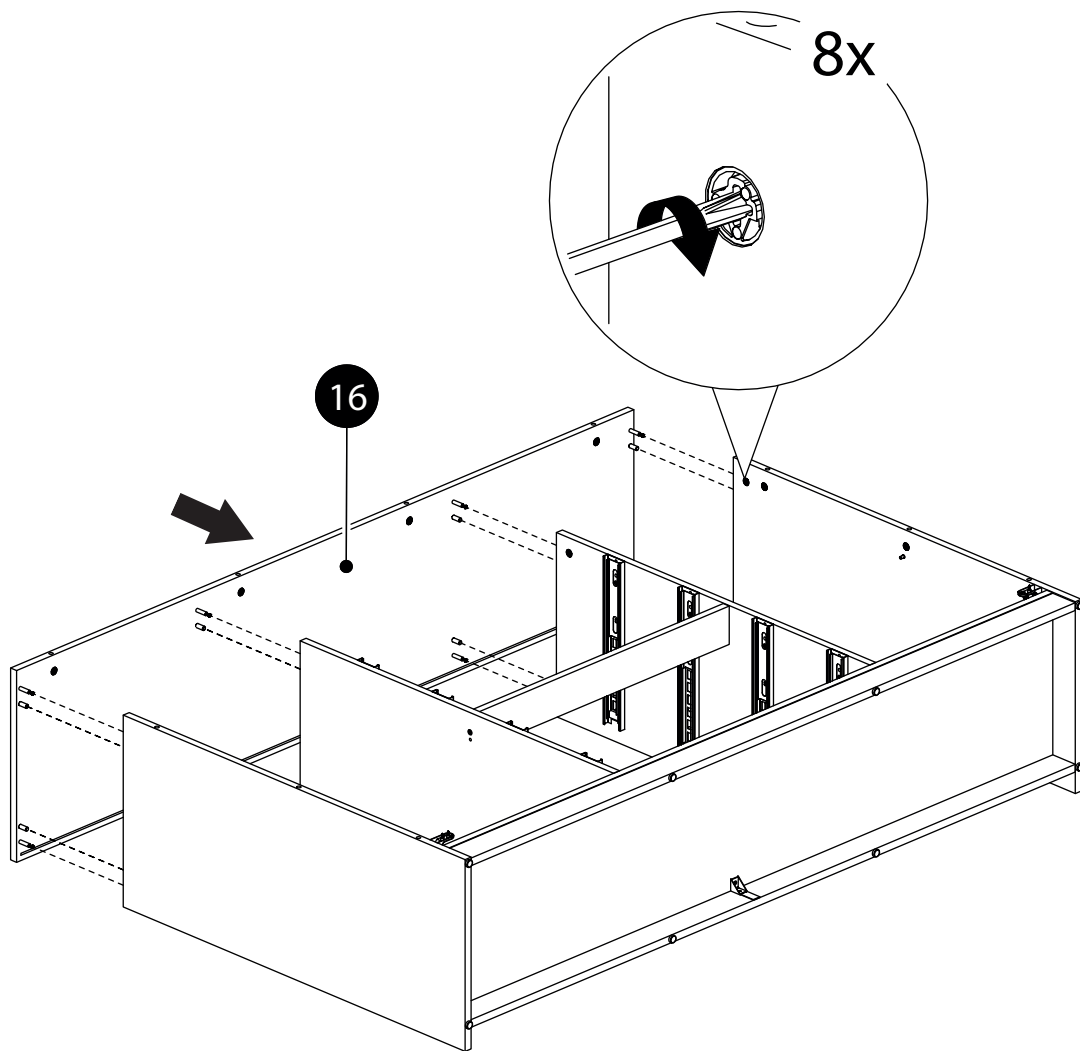
24.



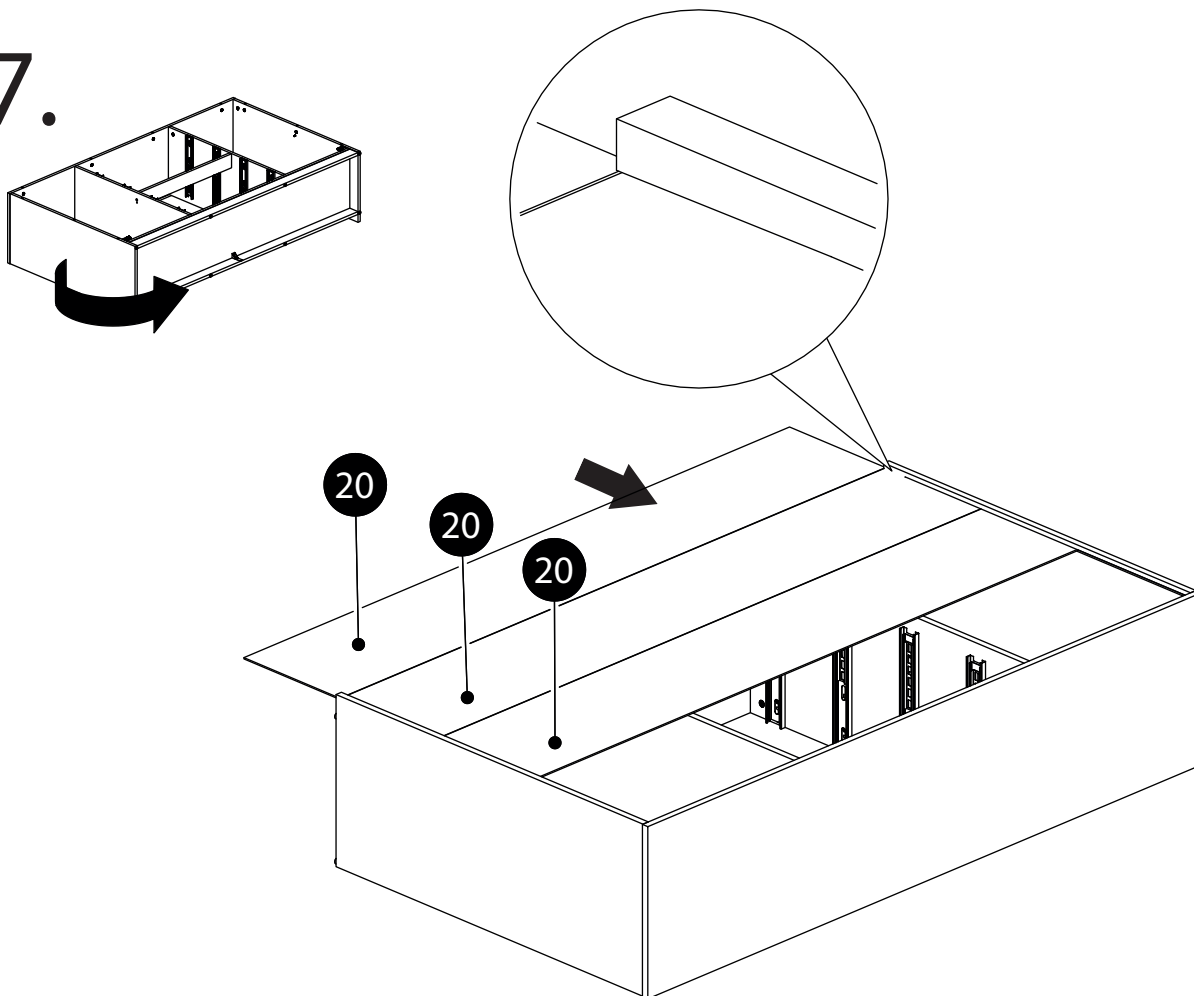
25.



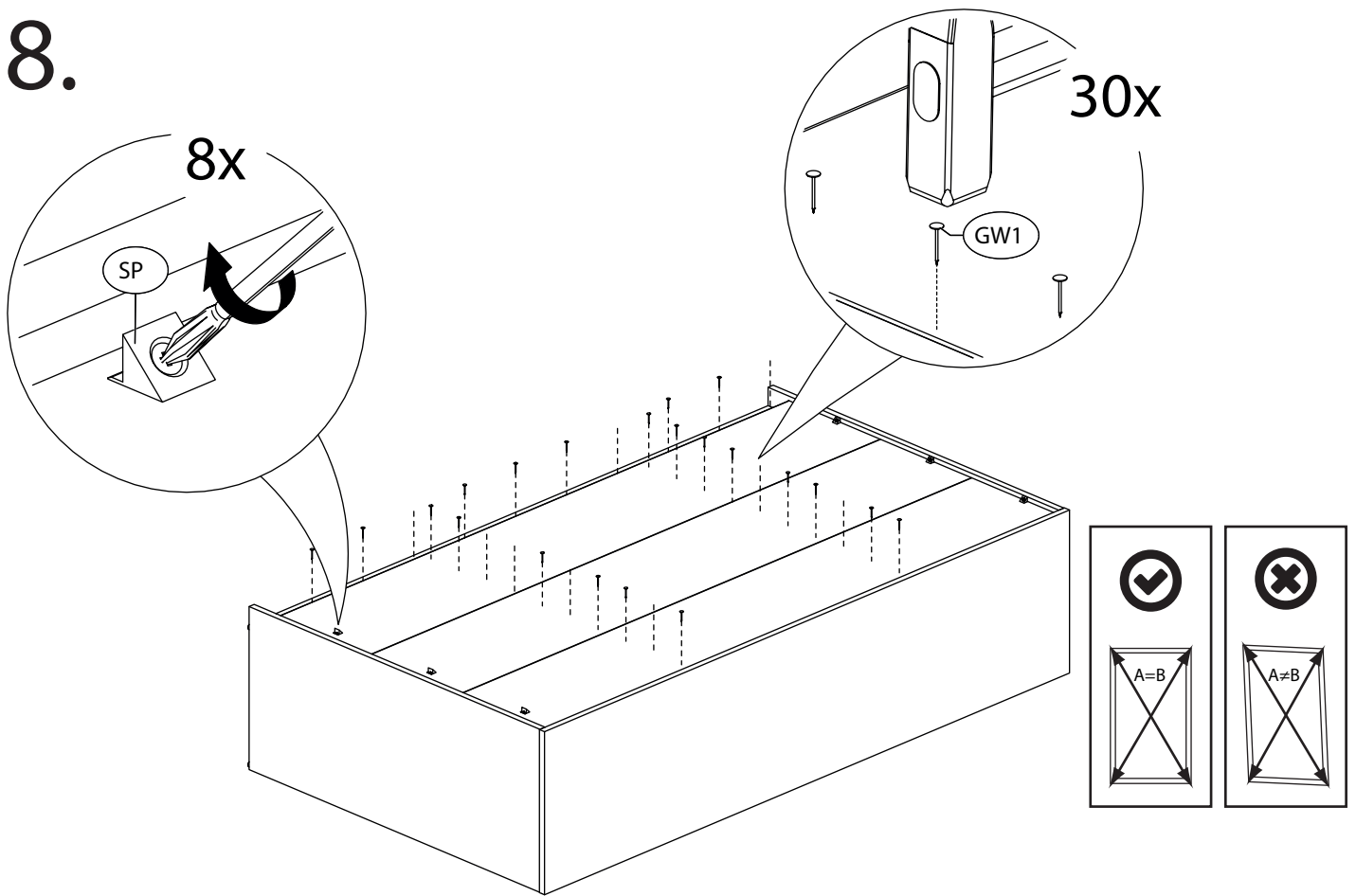
26.



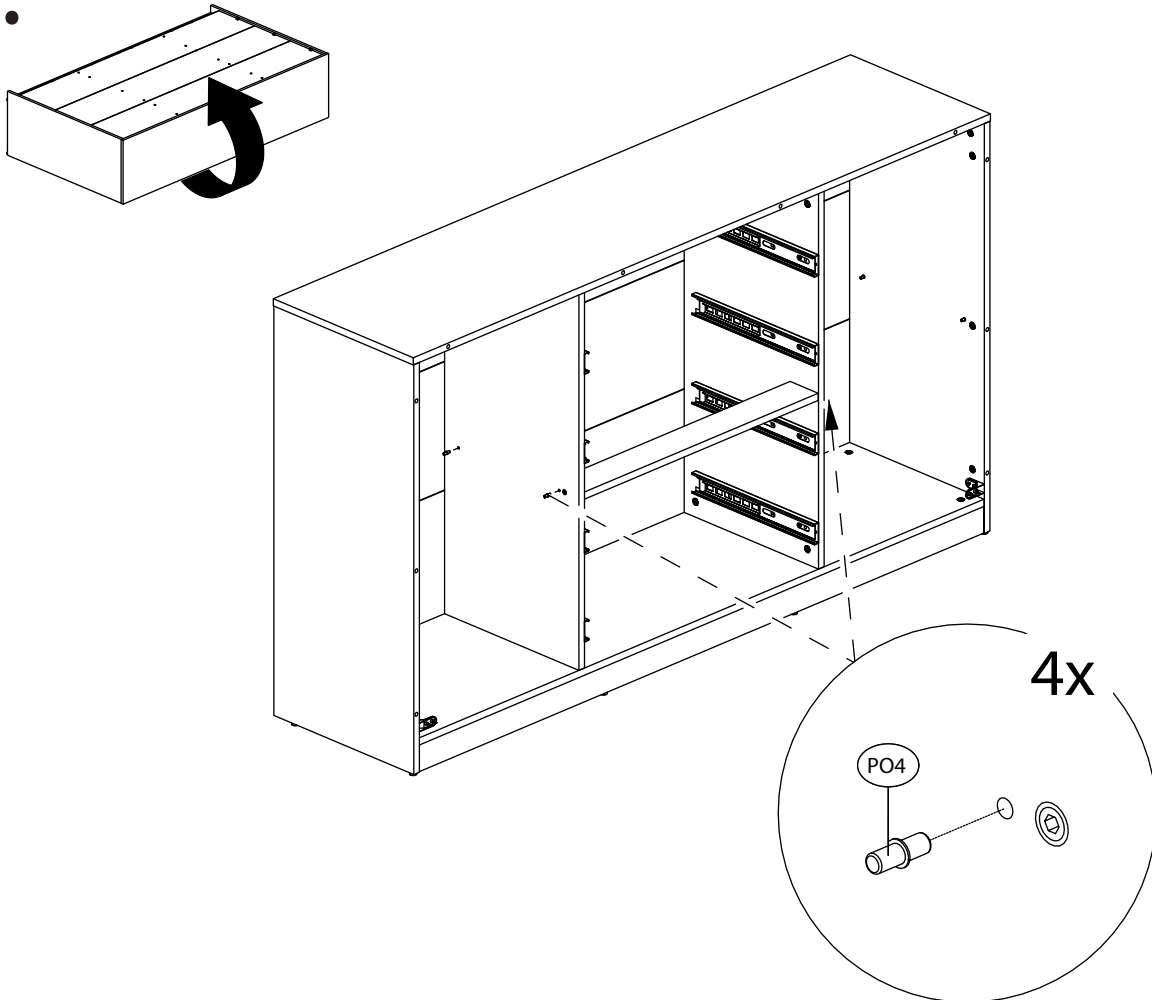
27.



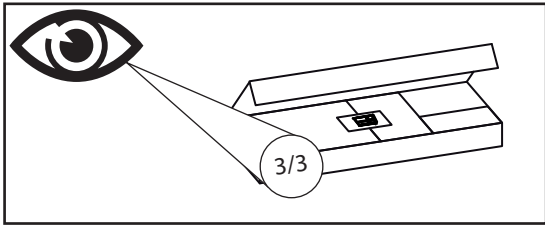
28.



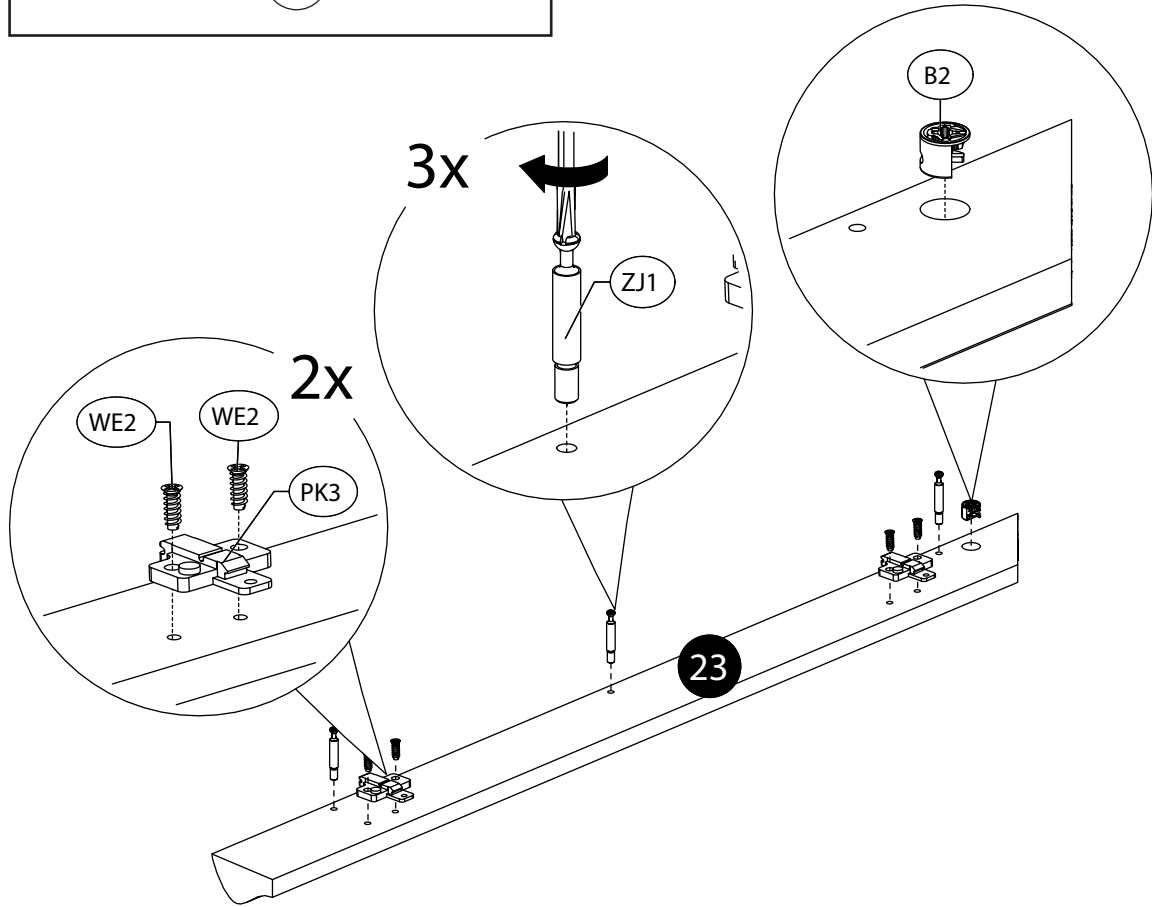
29.



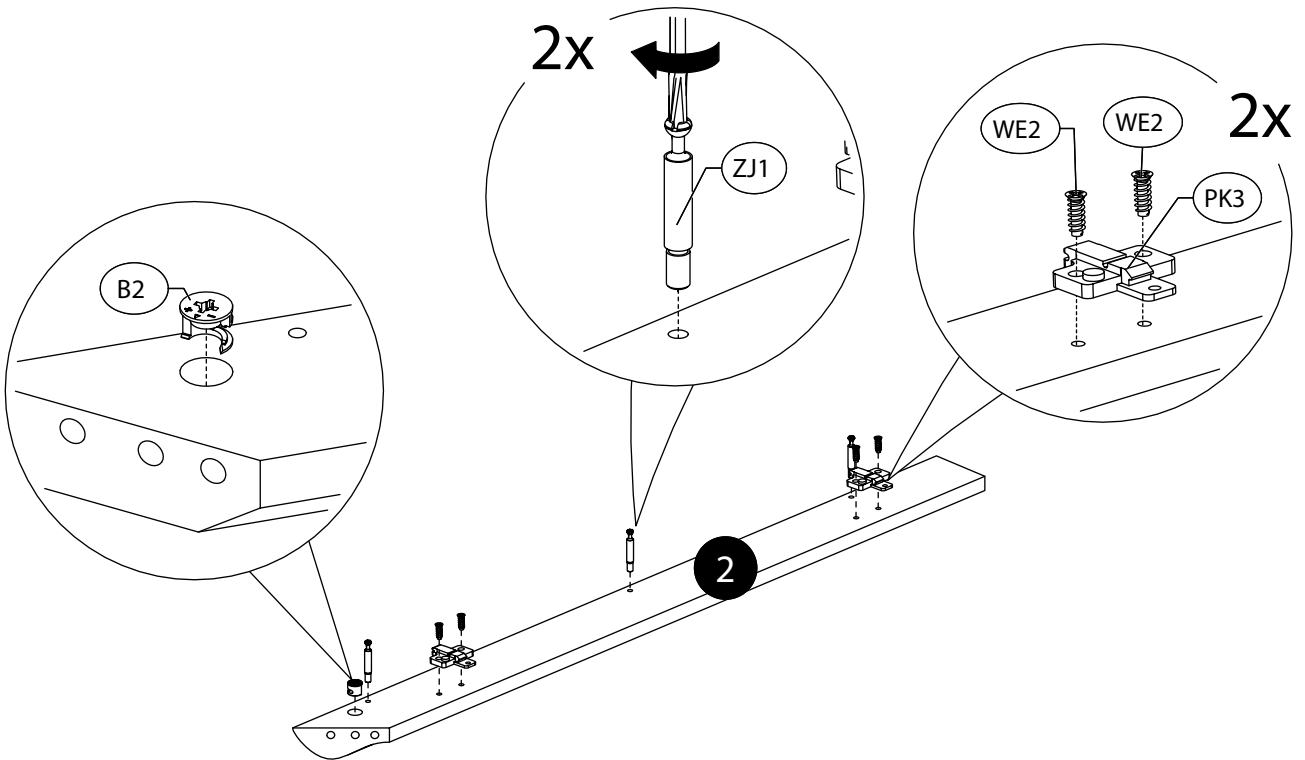
30.



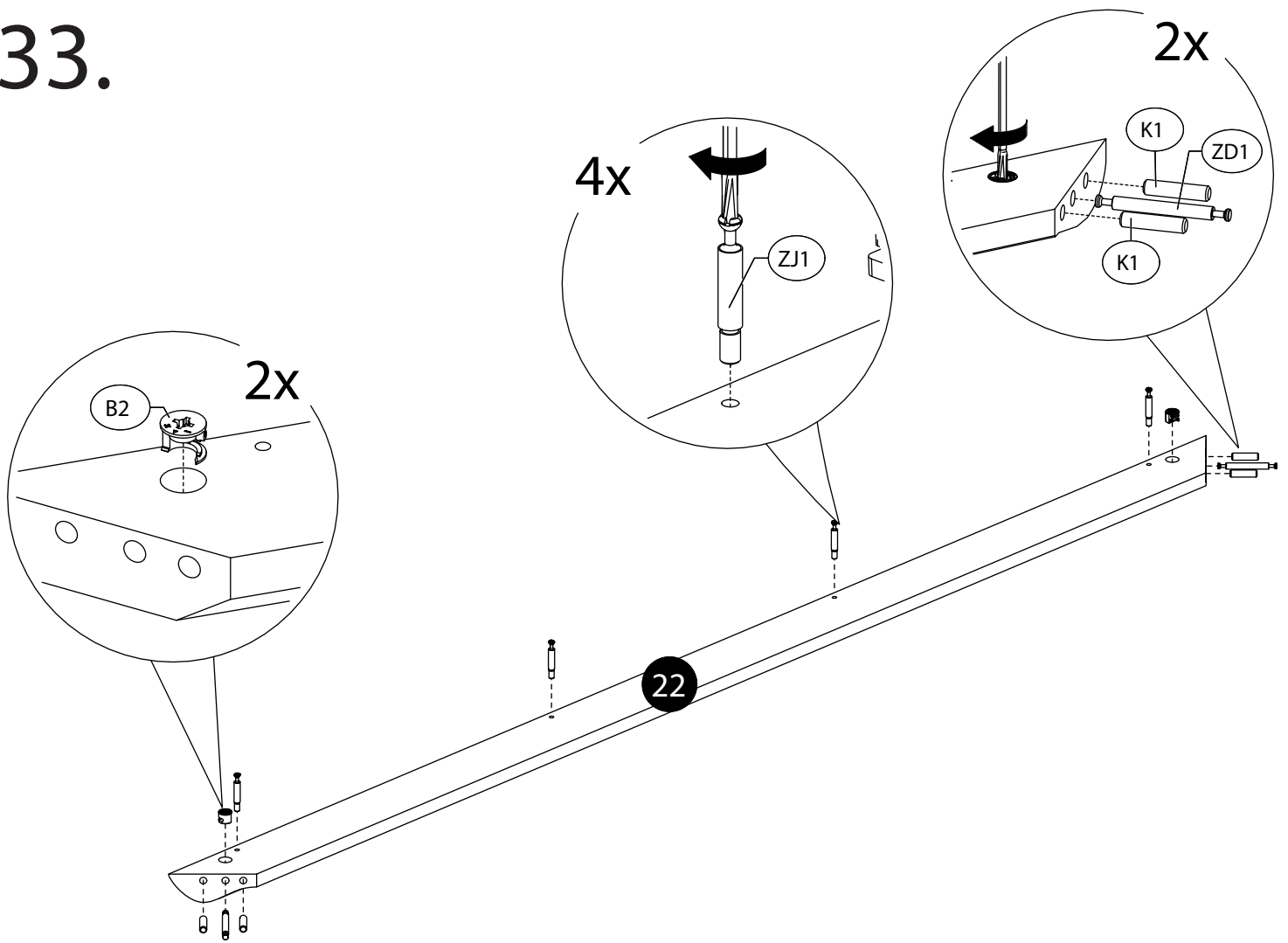
31.



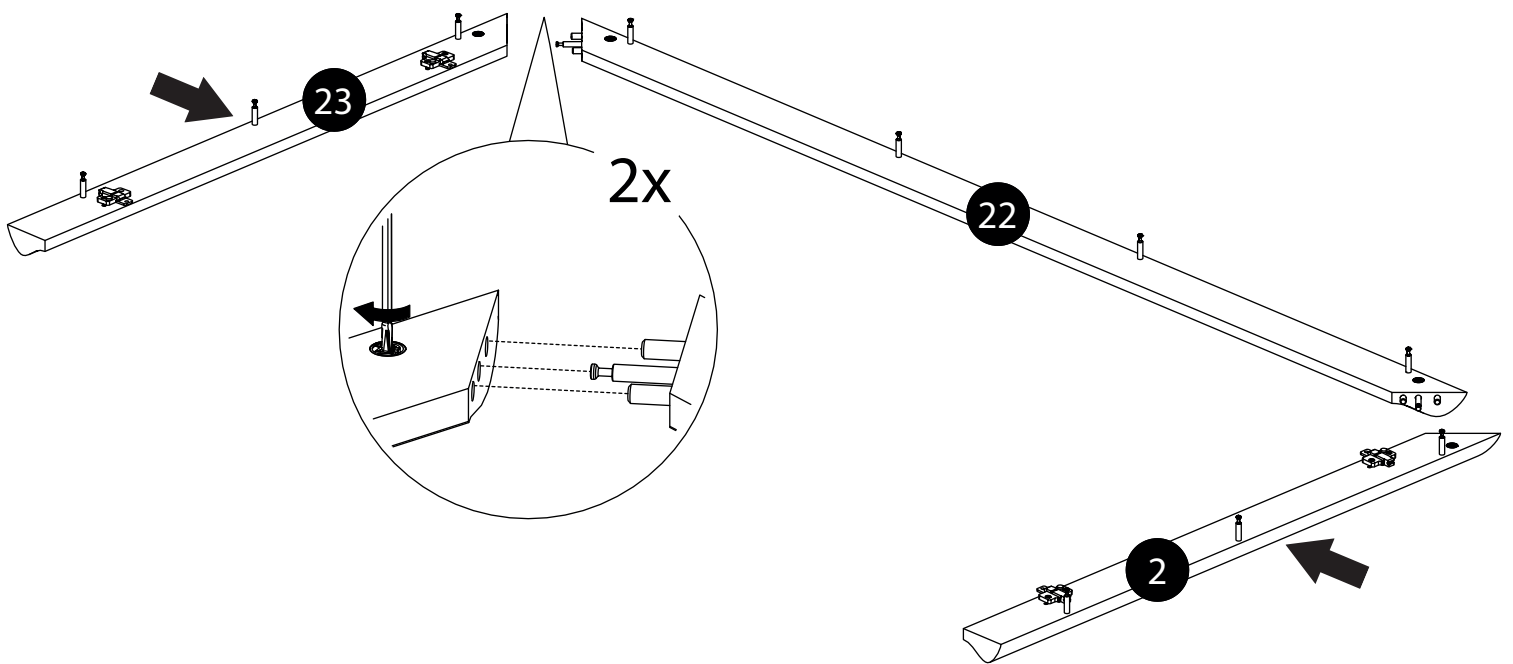
32.



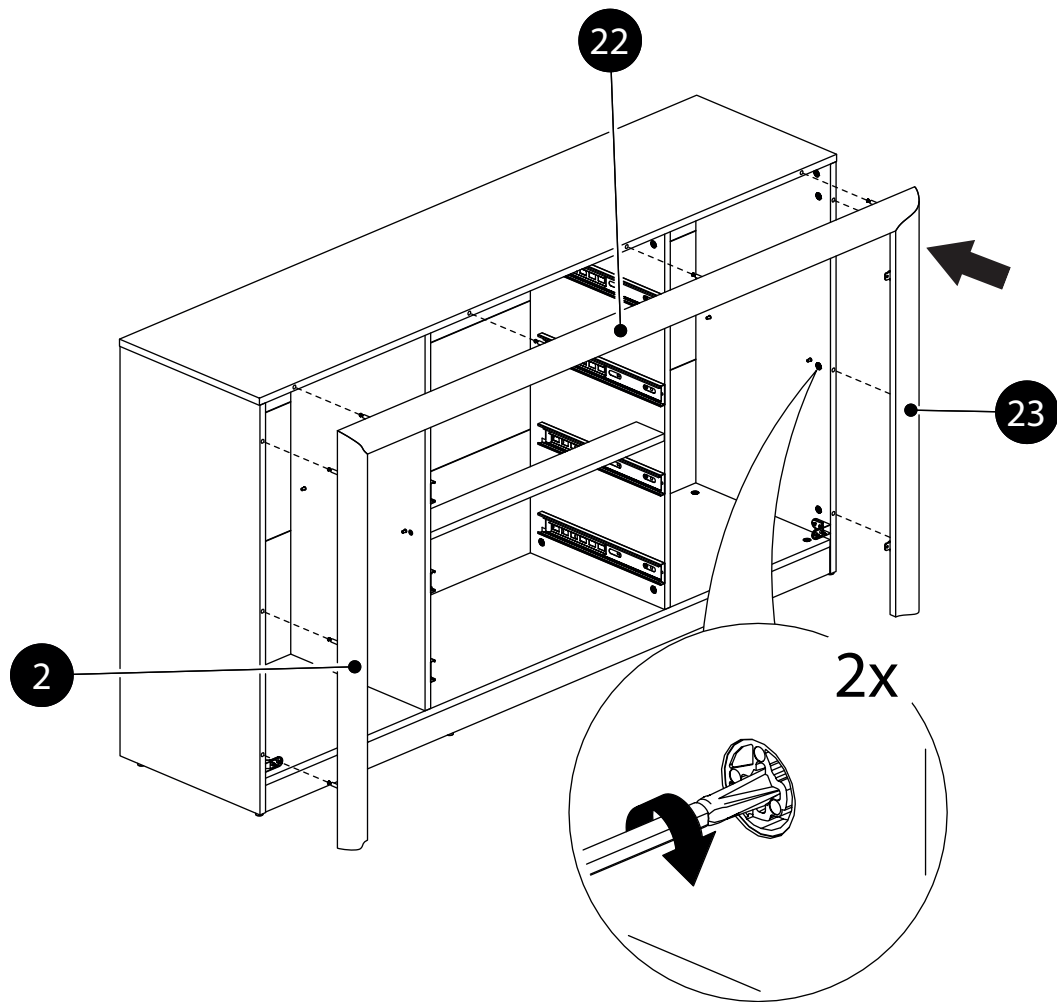
33.



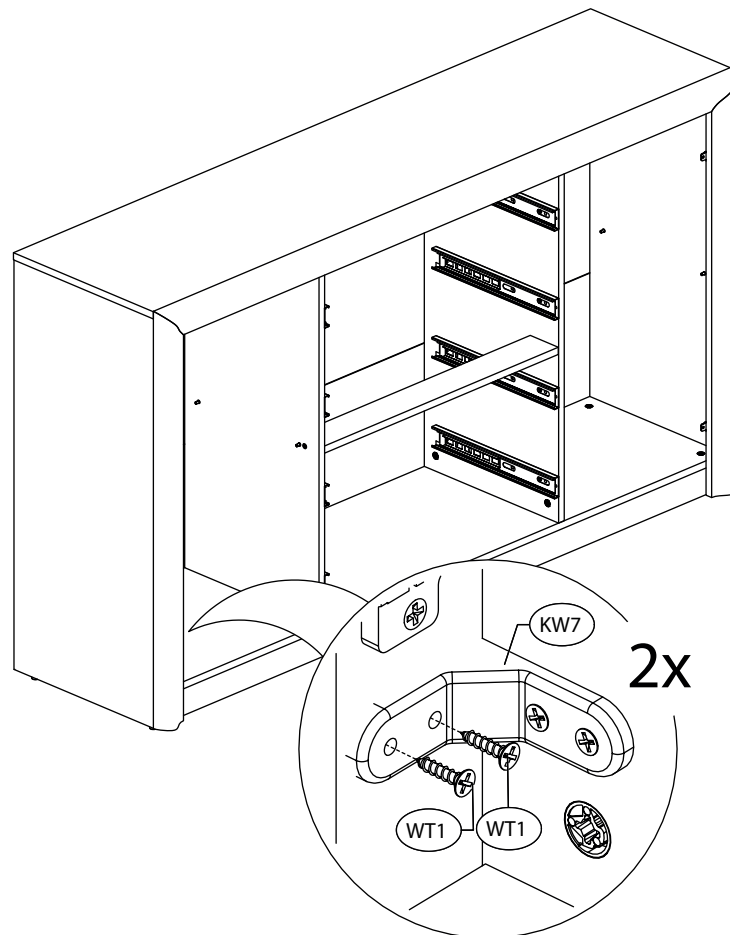
34.



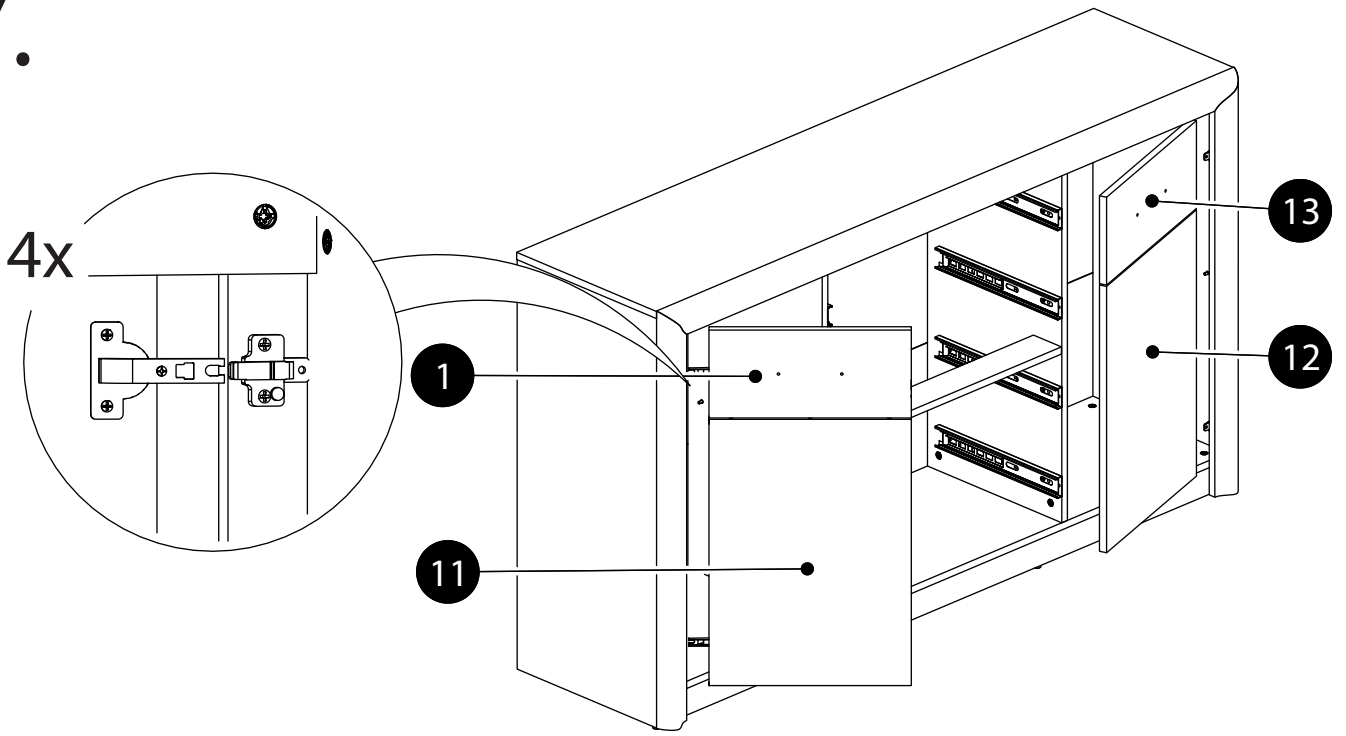
35.



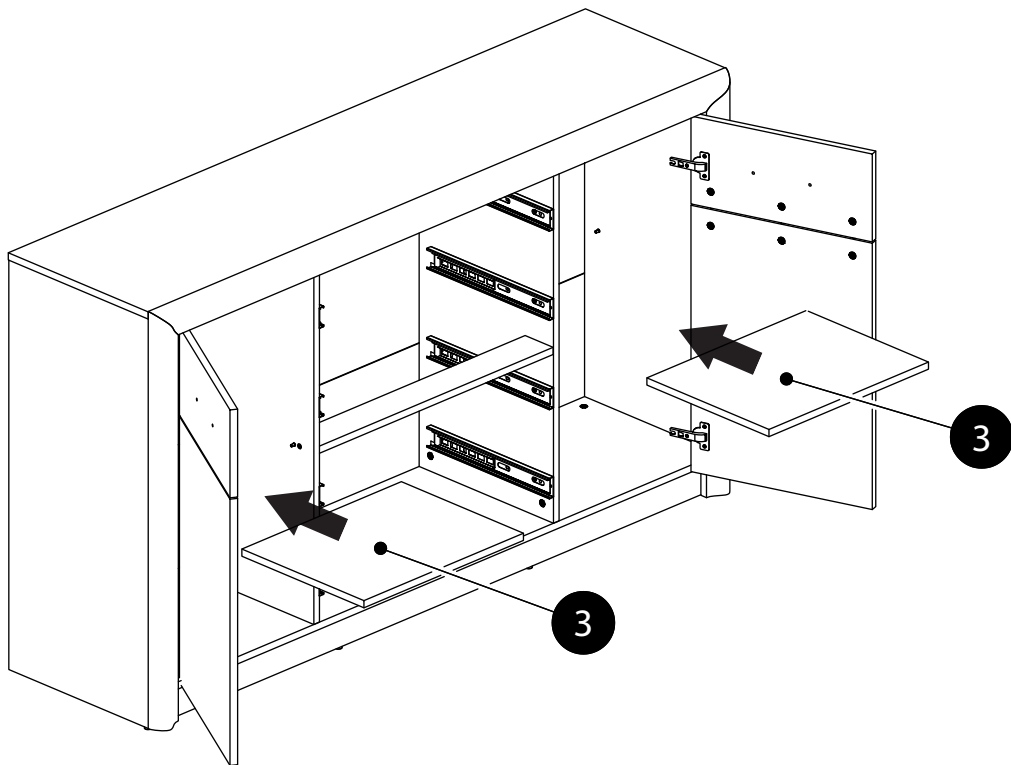
36.



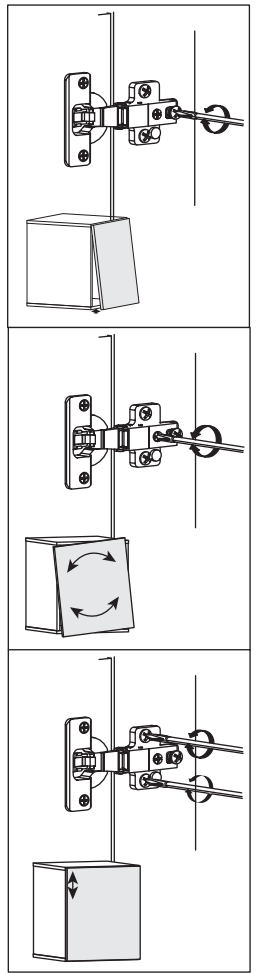
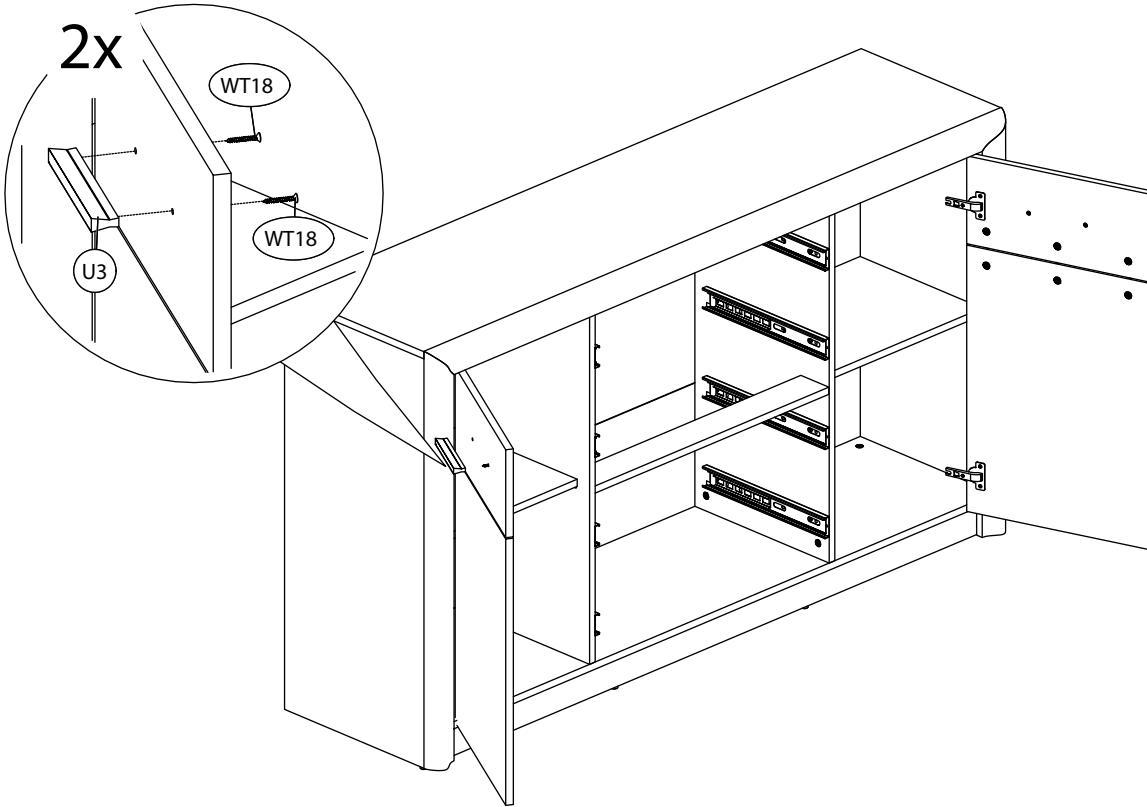
37.



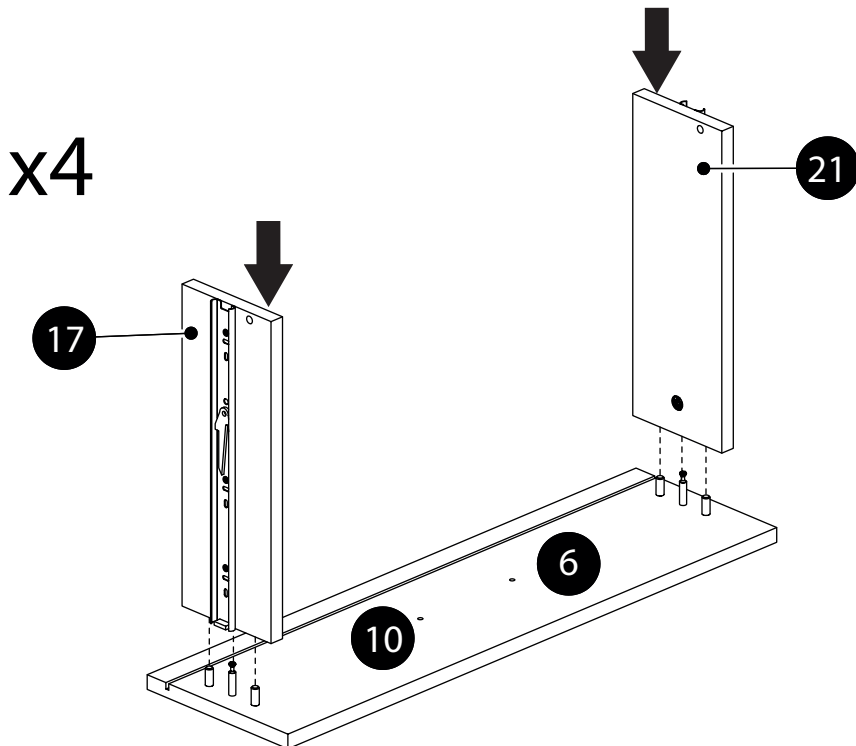
38.



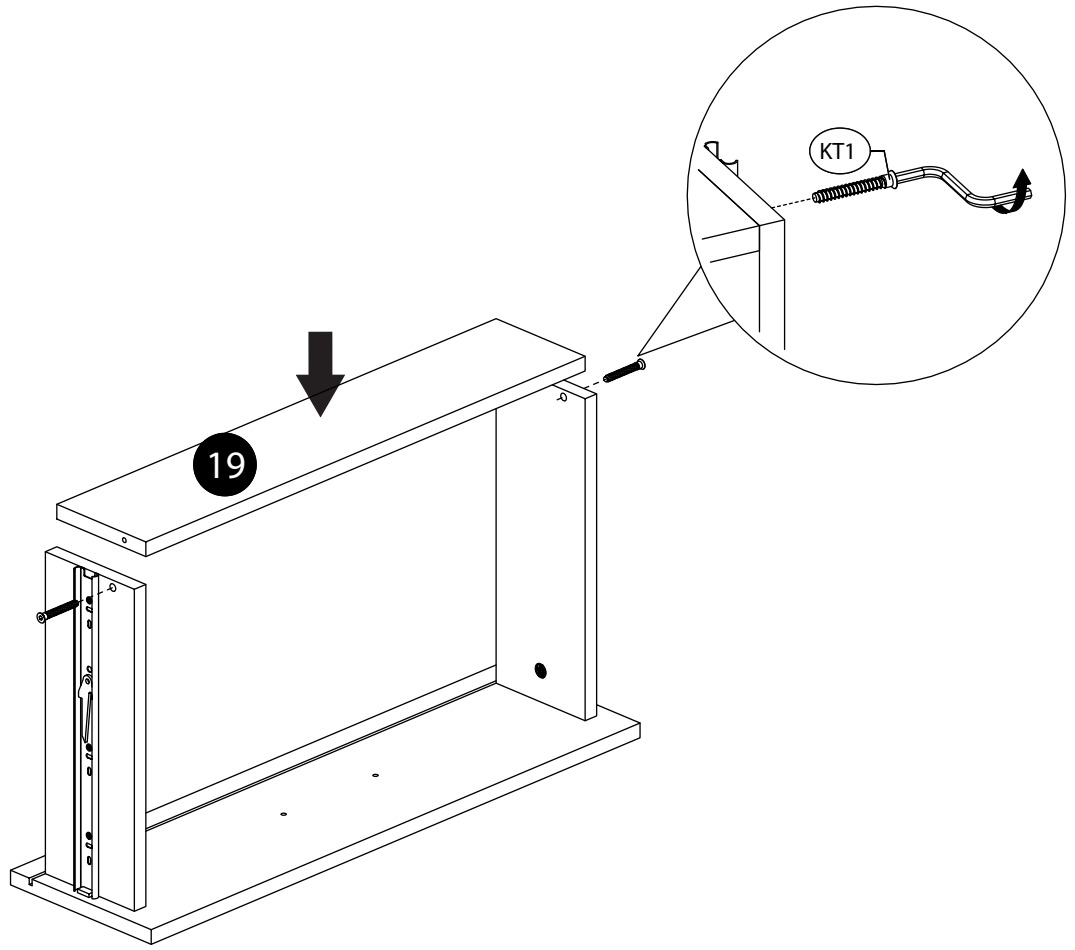
39.



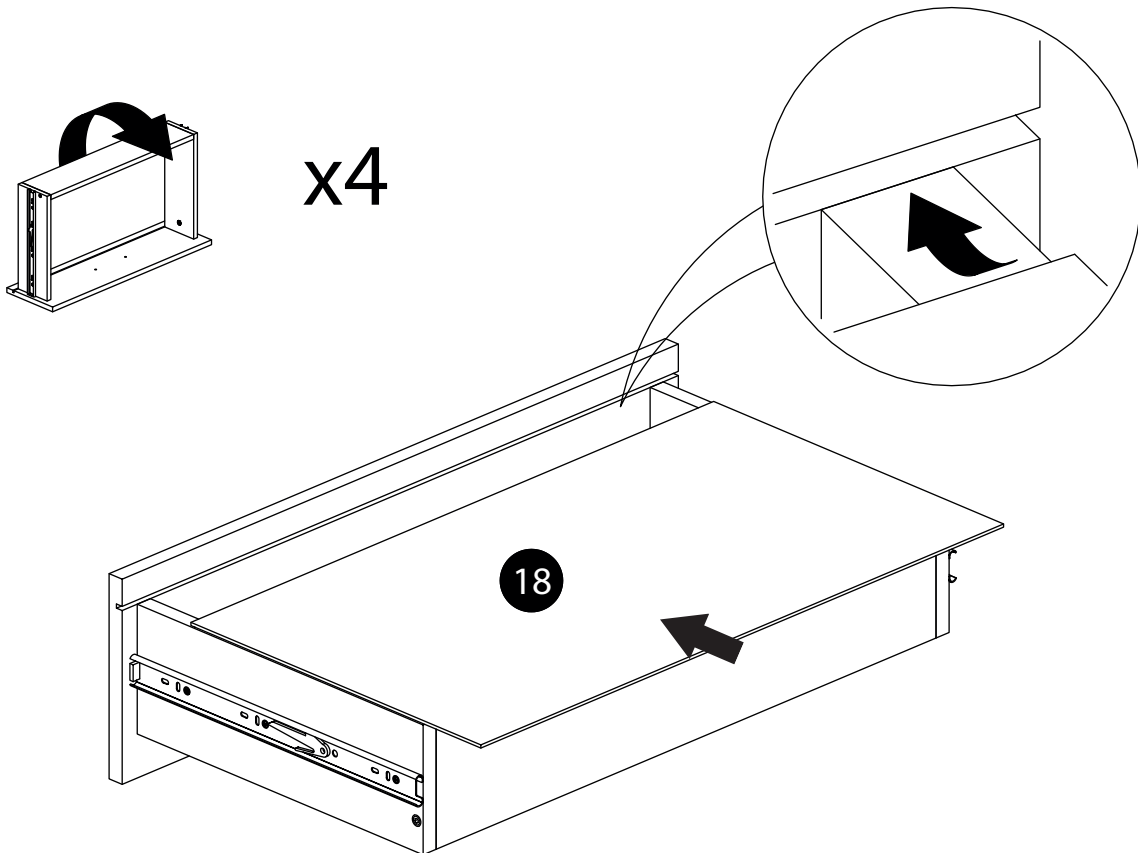
40.



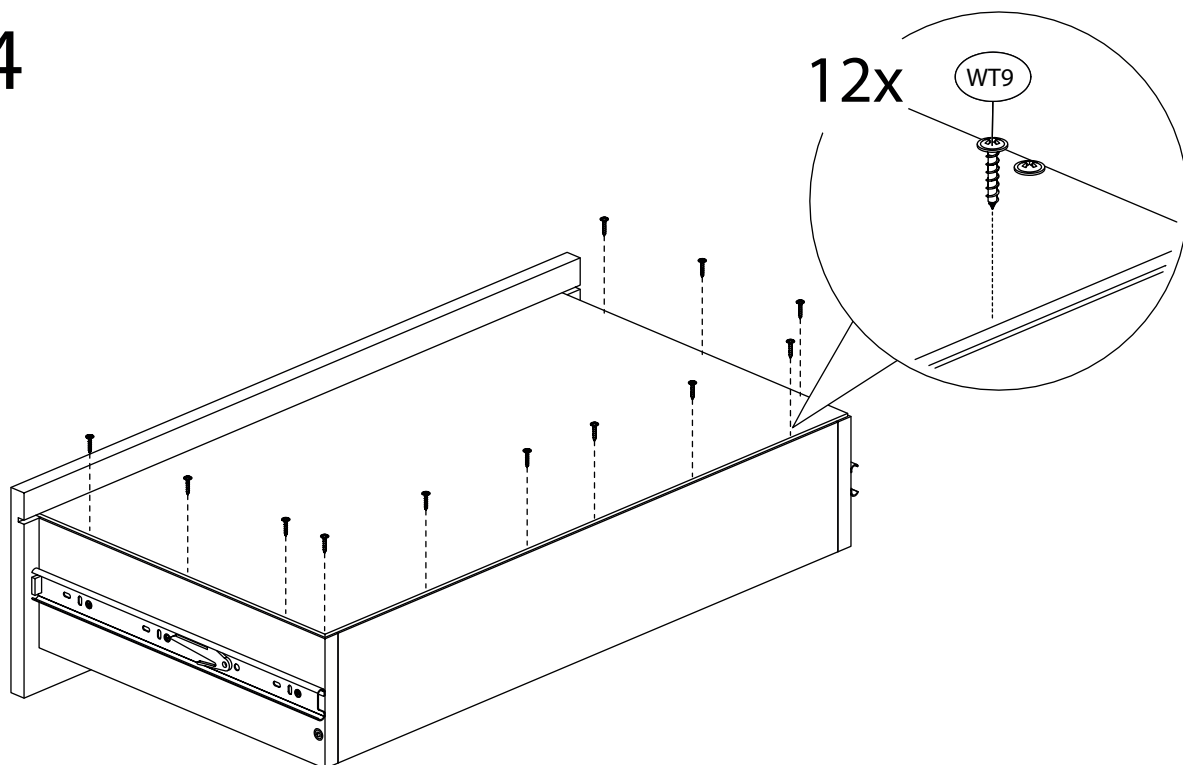
41.



42.

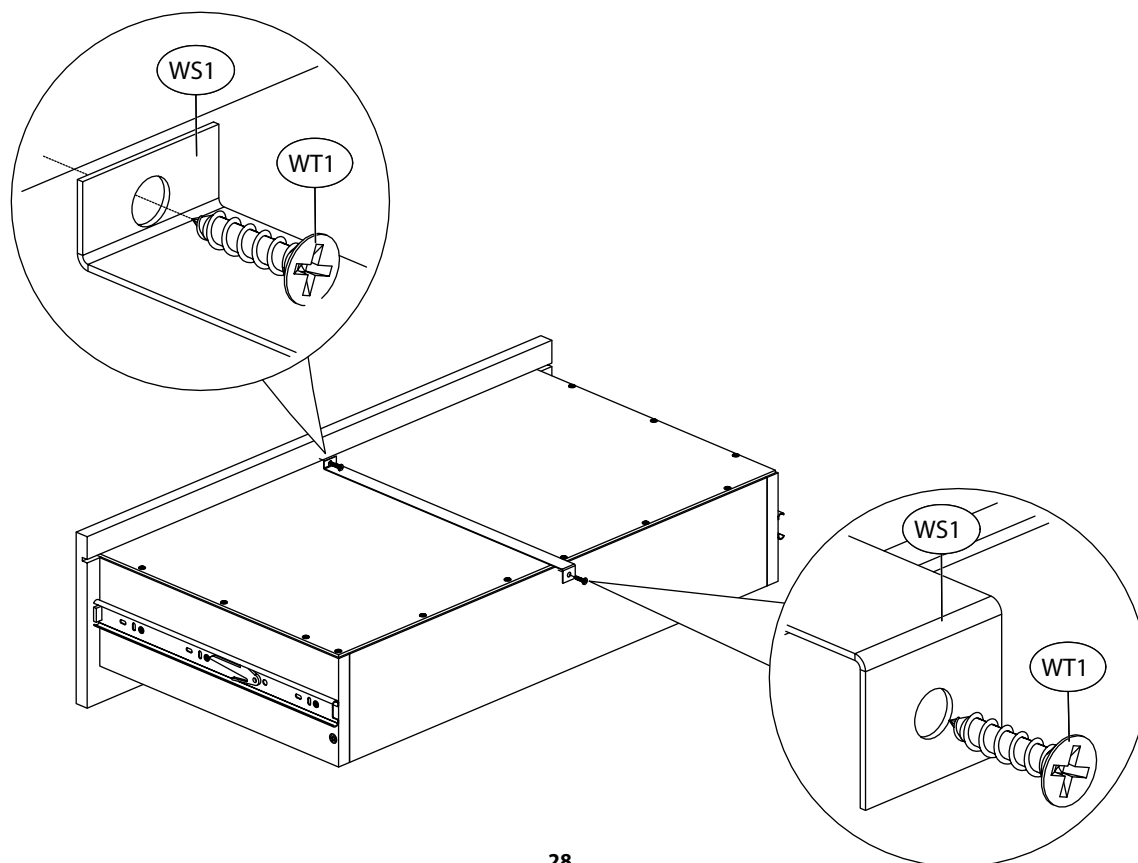


43. x4



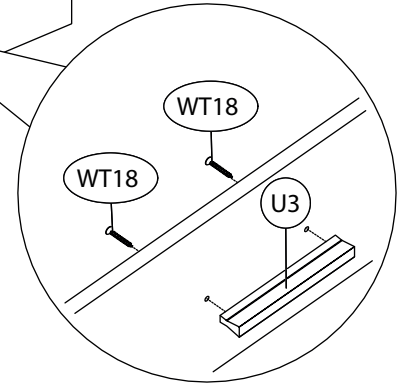
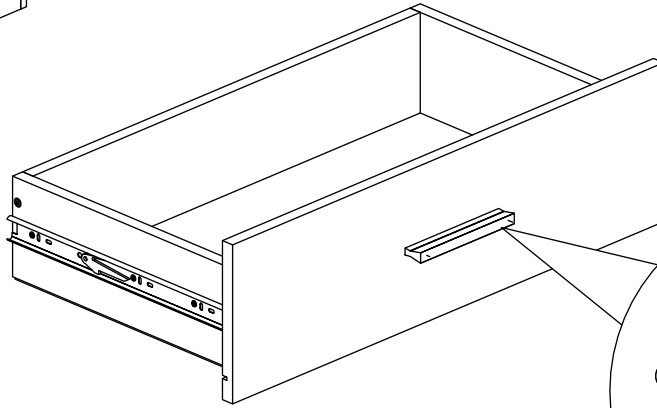
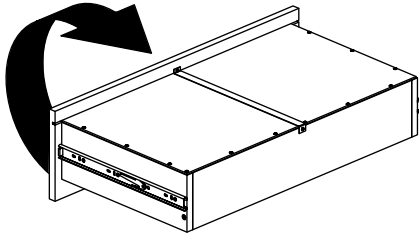
44.

x4

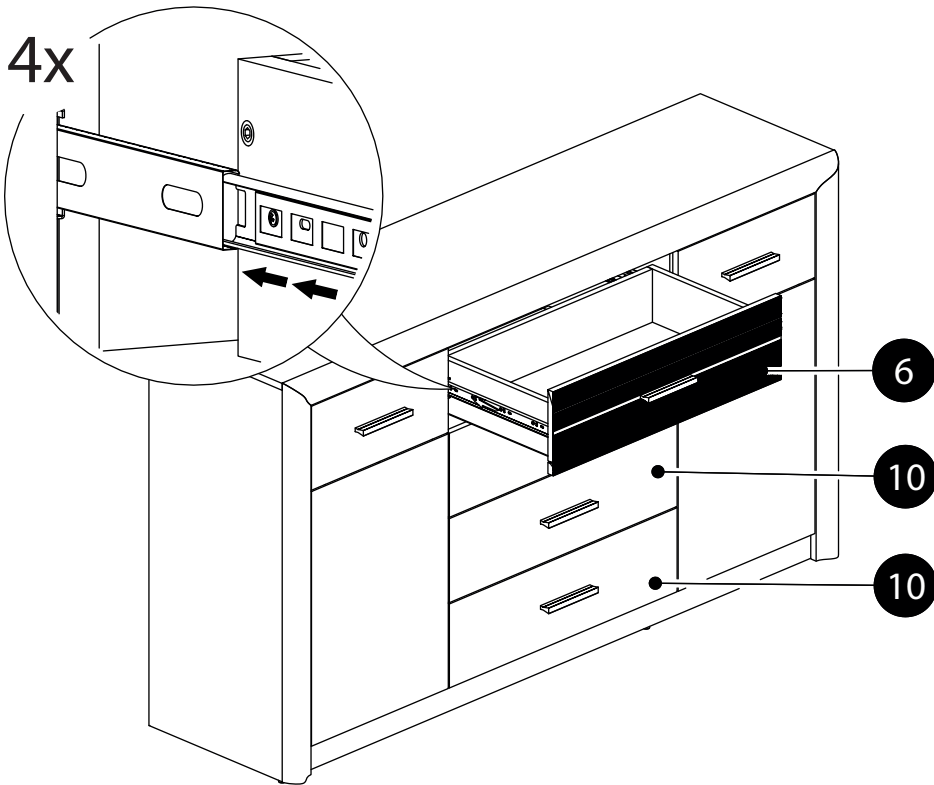


45.

x4



46.



47.

