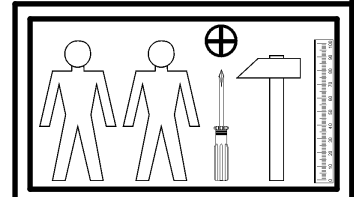
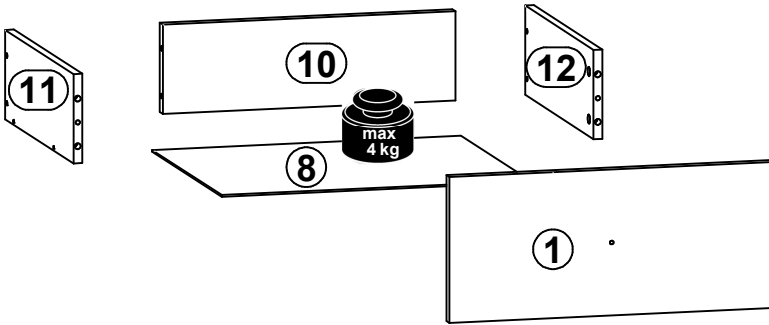
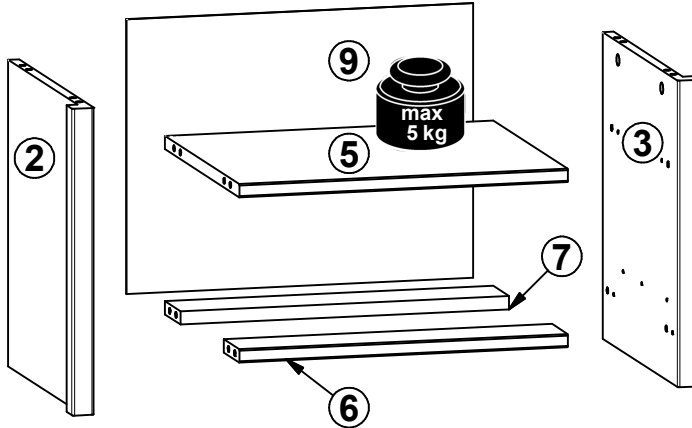
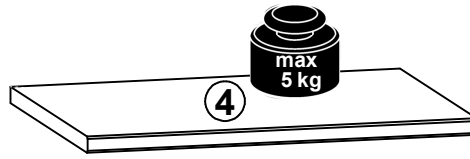


A	B	C	D	
1	S322-033	445	196	2/2
2	S322-152	412	384	1/2
3	S322-153	412	384	1/2
4	S322-210	534	395	1/2
5	S322-316	450	381	1/2
6	S322-429	450	80	1/2
7	S322-431	450	80	1/2
8	S322-926	423	355	1/2
9	S322-943	369	475	1/2
10	ZS3-5575	401	120	1/2
11	ZS4-501	350	120	1/2
12	ZS4-502	350	120	1/2



1x M4 c415	6x Ø6x13 mm e3	4x Ø5x9 mm e19	12x Ø8x30 mm f1	2x Ø6x30 mm f9	4x Ø6.5x40 mm f25	1x M4x20 mm j1	4x k1	25x l1
3x Ø3.5x16 mm p38	12x Ø15x12 mm #16 r1	4x Ø12x10.5 mm #12 r15	16x 20/11 r42	1x 350 mm w45\CL	1x 350 mm w45\CR	1x 350 mm w45\DL	1x 350 mm w45\DR	4x Ø16 s2

1 §2

Diagram 1 shows the installation of side panels 2 and 3. Panel 2 is attached to the left side using screws f1 and f9. Panel 3 is attached to the right side using screws f1 and f9. The top edge of panel 3 is secured with screws k1. The bottom edge of panel 3 is secured with screws r42. The distance between the bottom screws is 25 mm.

Diagram 2 shows the installation of shelf 4. The shelf is attached to the cabinet using screws f1 and f9. The top edge of the shelf is secured with screws k1. The bottom edge of the shelf is secured with screws r42. The distance between the bottom screws is 25 mm.

Diagram 3 shows the installation of shelf 5. The shelf is attached to the cabinet using screws f1 and f9. The top edge of the shelf is secured with screws k1. The bottom edge of the shelf is secured with screws r42. The distance between the bottom screws is 25 mm.

Diagram 4 shows the installation of shelf 6. The shelf is attached to the cabinet using screws f1 and f9. The top edge of the shelf is secured with screws k1. The bottom edge of the shelf is secured with screws r42. The distance between the bottom screws is 25 mm.

Diagram 5 shows the installation of shelf 7. The shelf is attached to the cabinet using screws f1 and f9. The top edge of the shelf is secured with screws k1. The bottom edge of the shelf is secured with screws r42. The distance between the bottom screws is 25 mm.

Diagram 6 shows the installation of shelf 8. The shelf is attached to the cabinet using screws f1 and f9. The top edge of the shelf is secured with screws k1. The bottom edge of the shelf is secured with screws r42. The distance between the bottom screws is 25 mm.

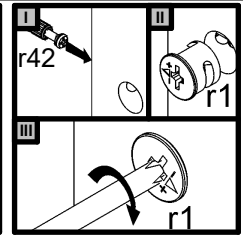
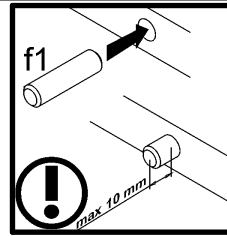
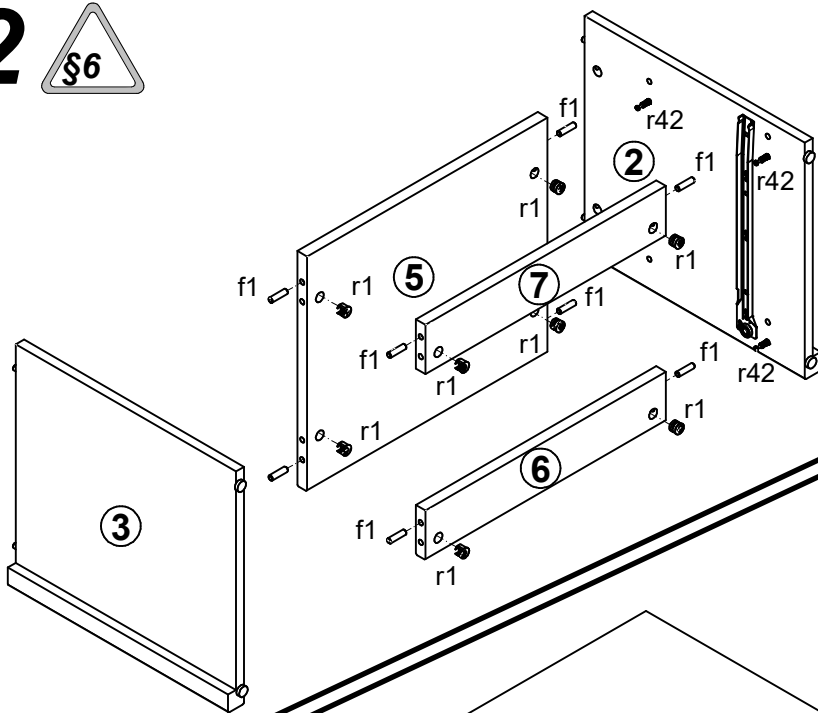
Diagram 7 shows the installation of shelf 9. The shelf is attached to the cabinet using screws f1 and f9. The top edge of the shelf is secured with screws k1. The bottom edge of the shelf is secured with screws r42. The distance between the bottom screws is 25 mm.

Diagram 8 shows the installation of shelf 10. The shelf is attached to the cabinet using screws f1 and f9. The top edge of the shelf is secured with screws k1. The bottom edge of the shelf is secured with screws r42. The distance between the bottom screws is 25 mm.

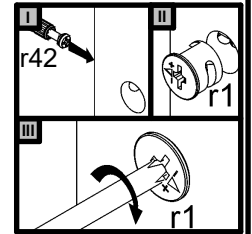
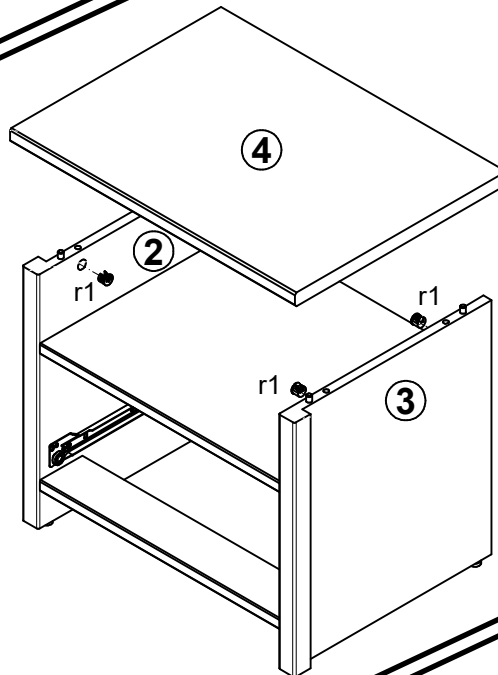
Diagram 9 shows the installation of shelf 11. The shelf is attached to the cabinet using screws f1 and f9. The top edge of the shelf is secured with screws k1. The bottom edge of the shelf is secured with screws r42. The distance between the bottom screws is 25 mm.

Diagram 10 shows the installation of shelf 12. The shelf is attached to the cabinet using screws f1 and f9. The top edge of the shelf is secured with screws k1. The bottom edge of the shelf is secured with screws r42. The distance between the bottom screws is 25 mm.

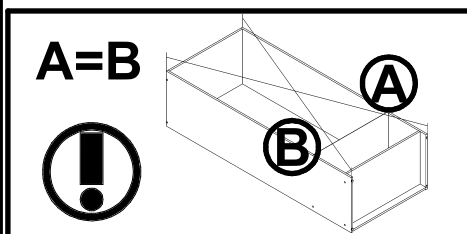
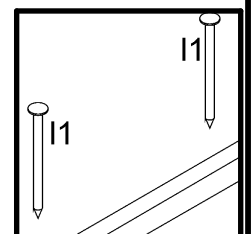
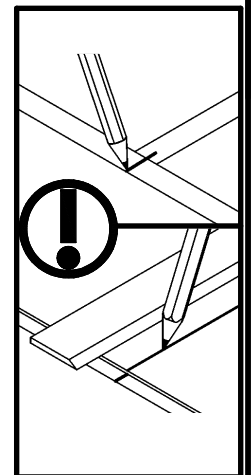
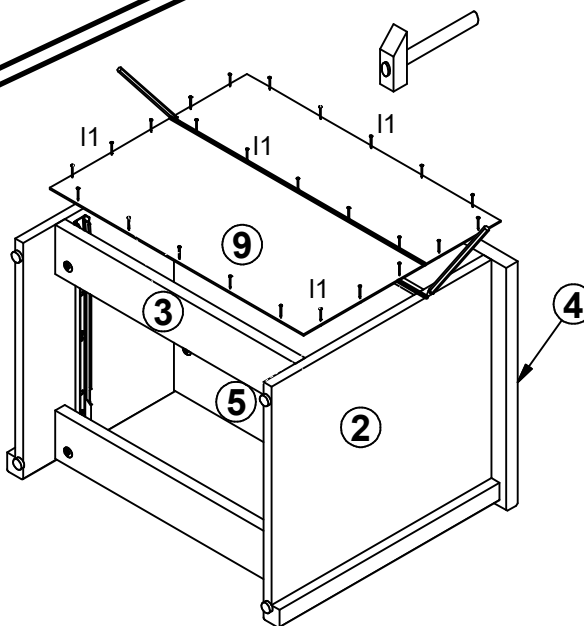
2



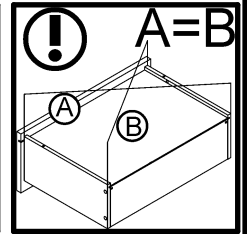
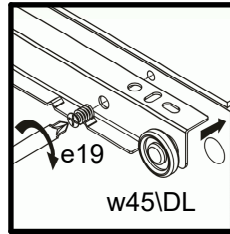
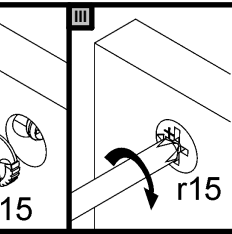
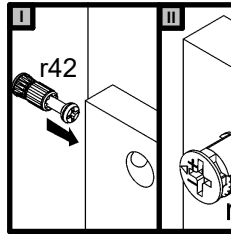
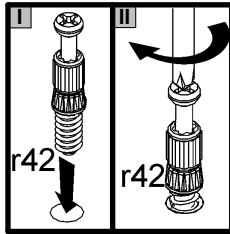
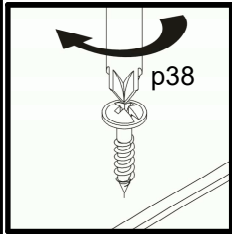
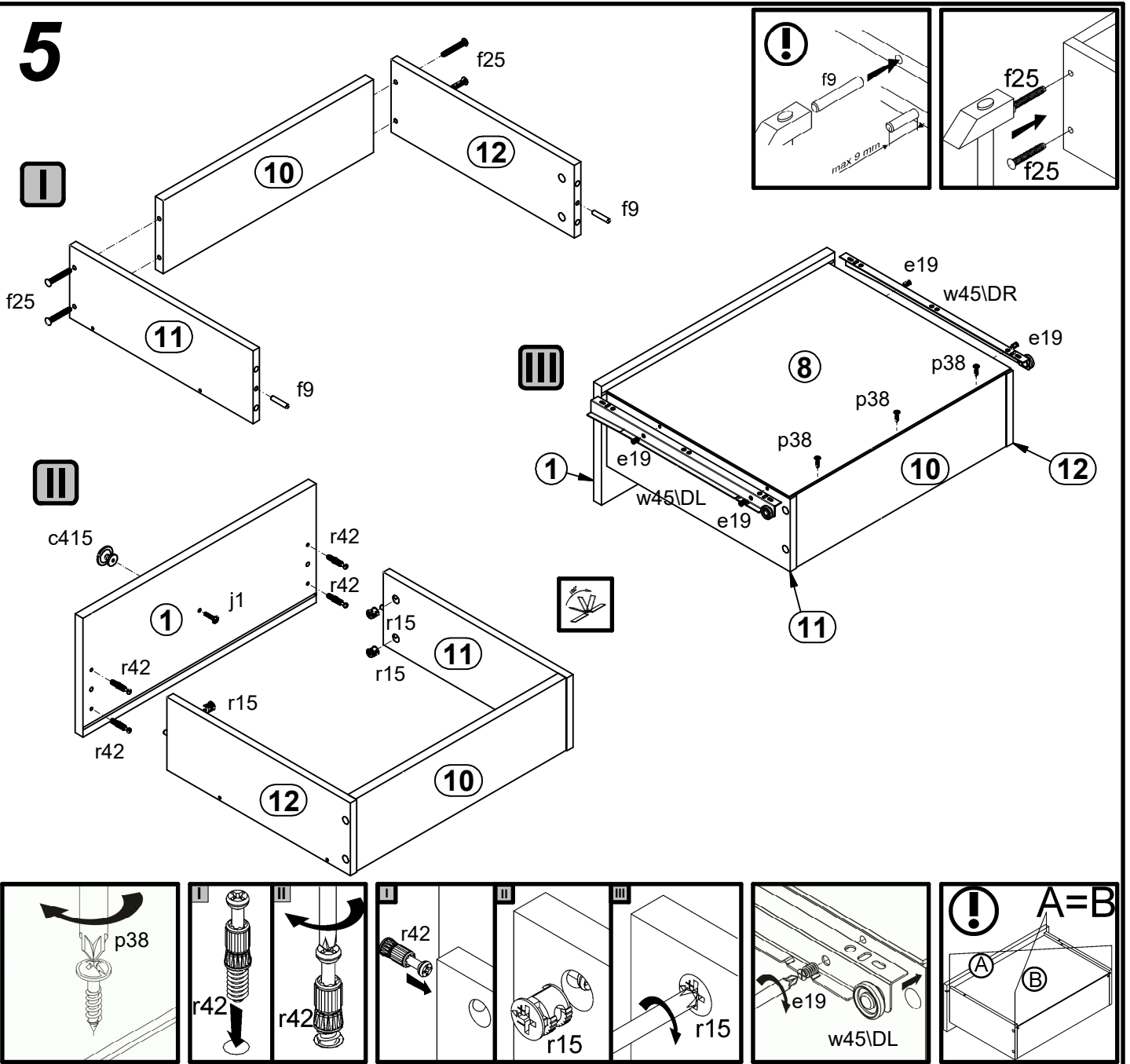
3



4



5



6

