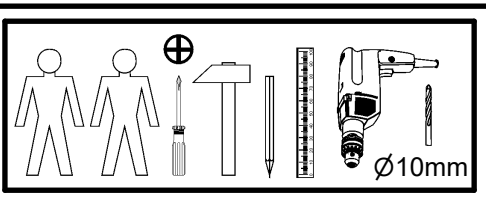
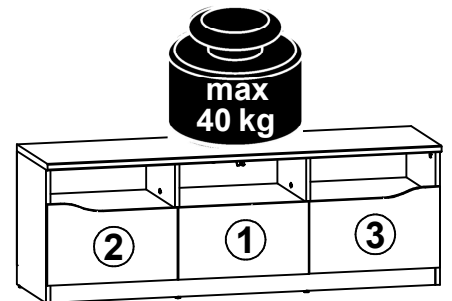
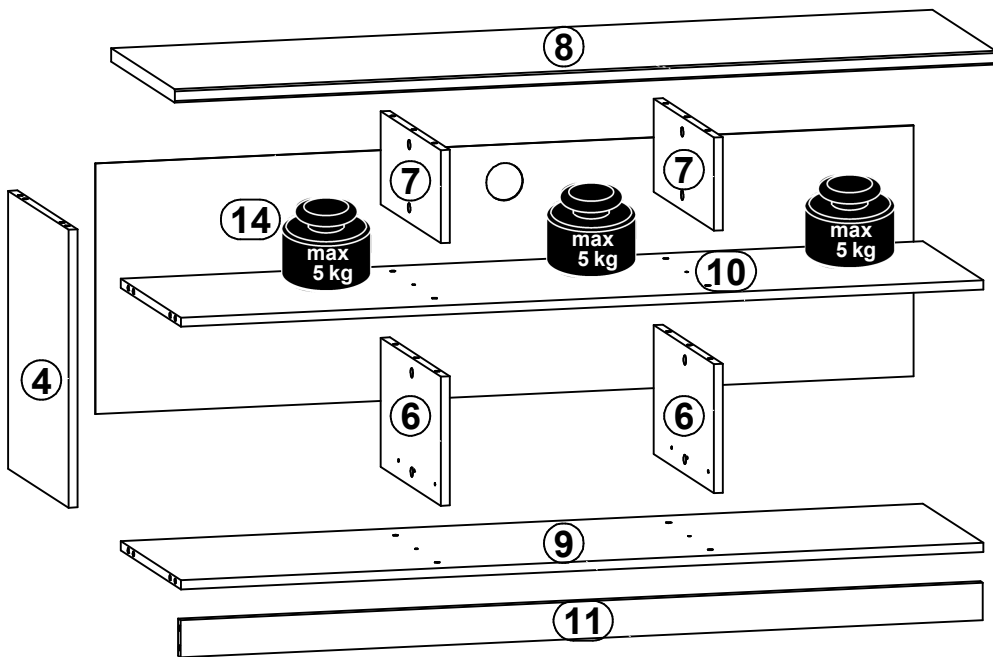
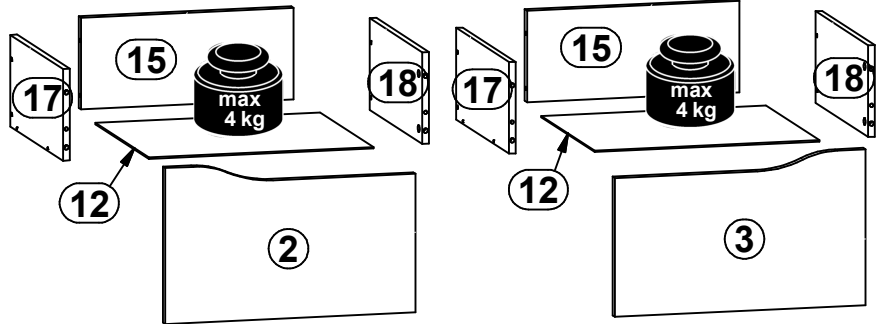
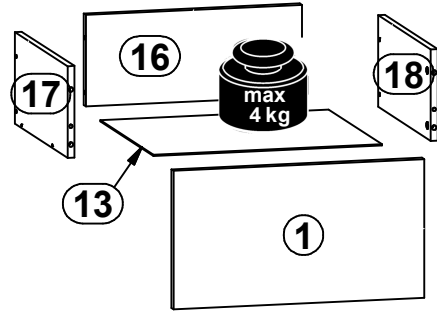
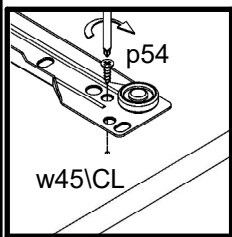
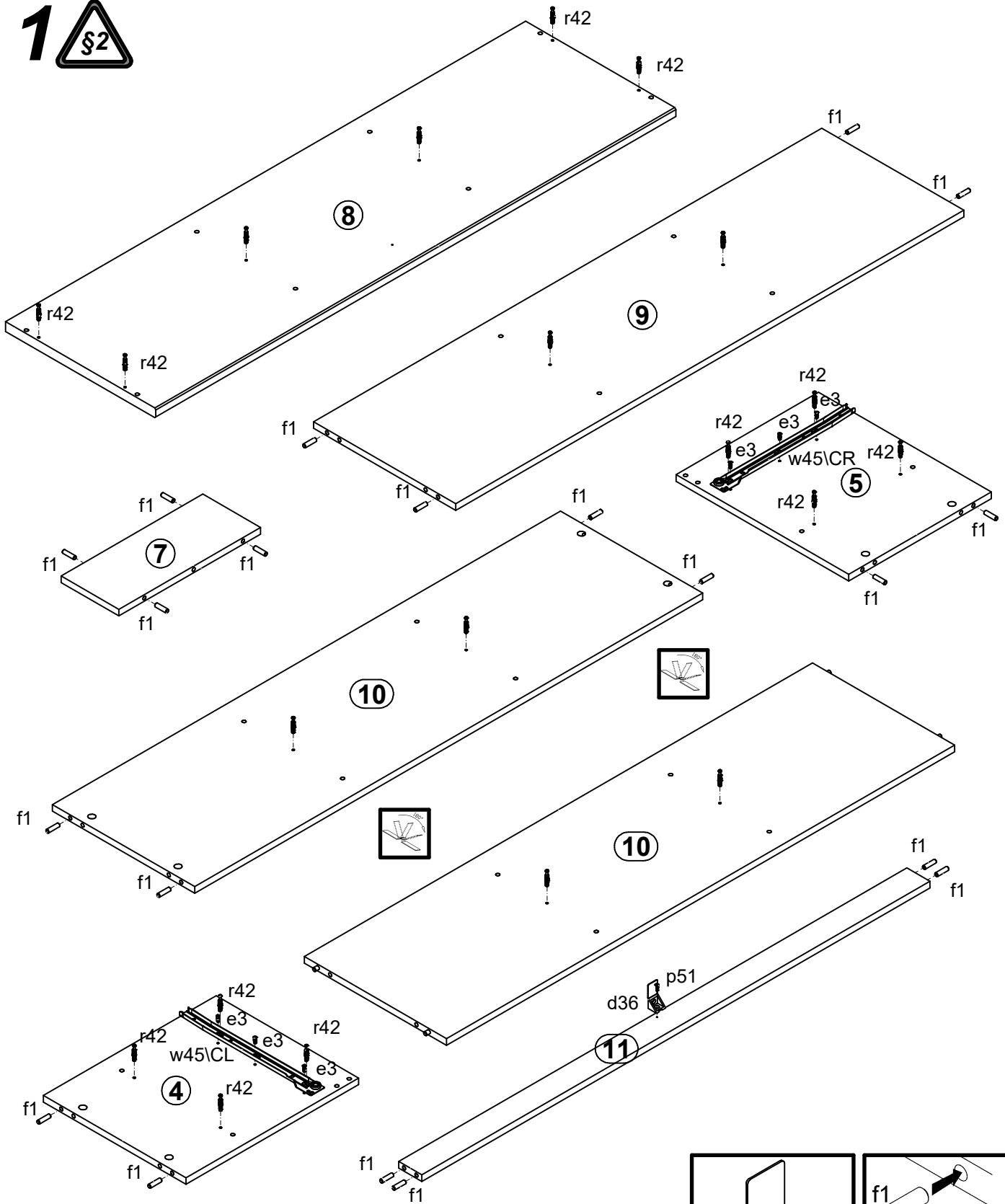


A	B	C	D	
1	S396-0018	446	242	2/2
2	S396-0019	446	272	2/2
3	S396-0020	446	272	2/2
4	S396-1025	448	370	1/2
5	S396-1026	448	370	1/2
6	S396-1027	208	368	1/2
7	S396-1028	150	368	1/2
8	S396-2005	1350	390	2/2
9	S396-3007	1319	369	2/2
10	S396-3008	1319	369	2/2
11	S396-4006	1319	60	2/2
12	S396-9004	400	355	1/2
13	S396-9005	407	355	1/2
14	S396-9006	404	1345	2/2
15	ZS3-5702	378	160	1/2
16	ZS3-5703	385	160	1/2
17	ZS4-537	350	160	1/2
18	ZS4-538	350	160	1/2

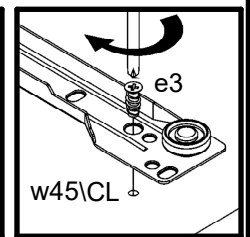
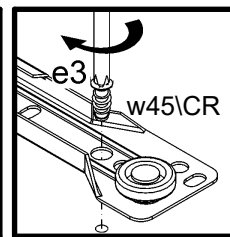
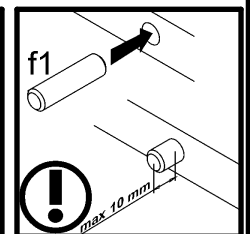
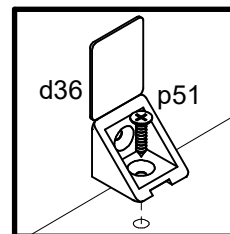
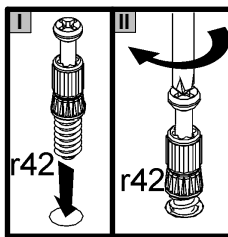
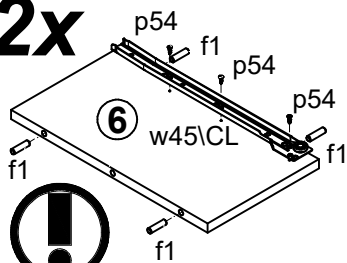


1x  d36	12x  Ø5x9 mm e19	12x  Ø6x13 mm e3	32x  Ø8x30 mm f1	6x  Ø6x30 mm f9	12x  Ø6.5x40 mm f25	6x  k1	50x  l1	6x  silikon o21
9x  Ø3.5x16 mm p38	2x  Ø3.5x15 mm p51	6x  Ø3x12 mm p54	20x  Ø15x12 mm #16 r1	12x  Ø12x10.5 mm #12 r15	32x  20/11 r42	8x  Ø16 s2	3x  350 mm w45 CL	3x  350 mm w45 CR
3x  350 mm w45 DL	3x  350 mm w45 DR					1x  n26 1	1x  Ø3.5x16 mm p38	

1 



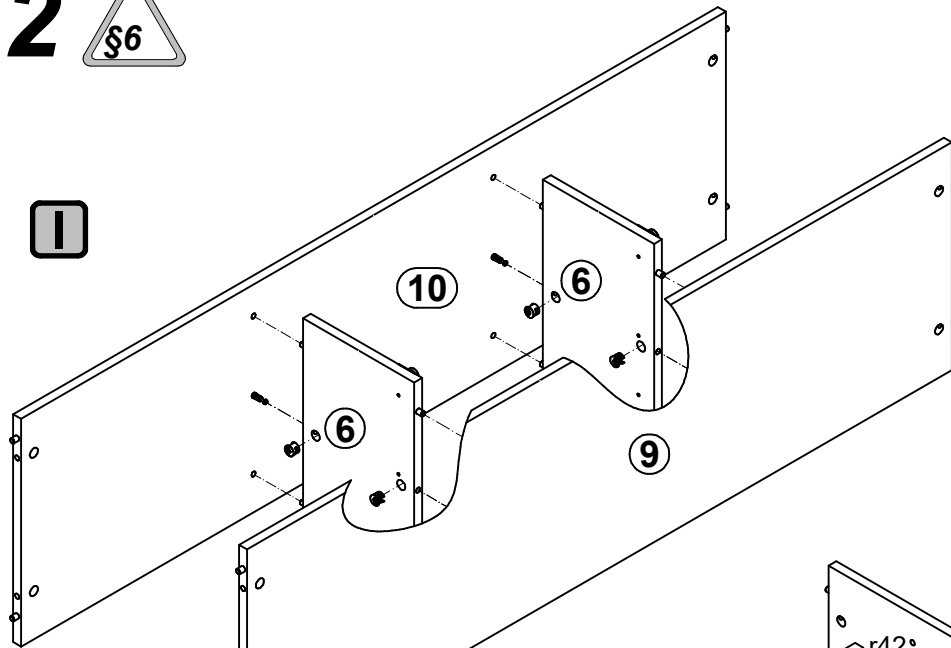
2x



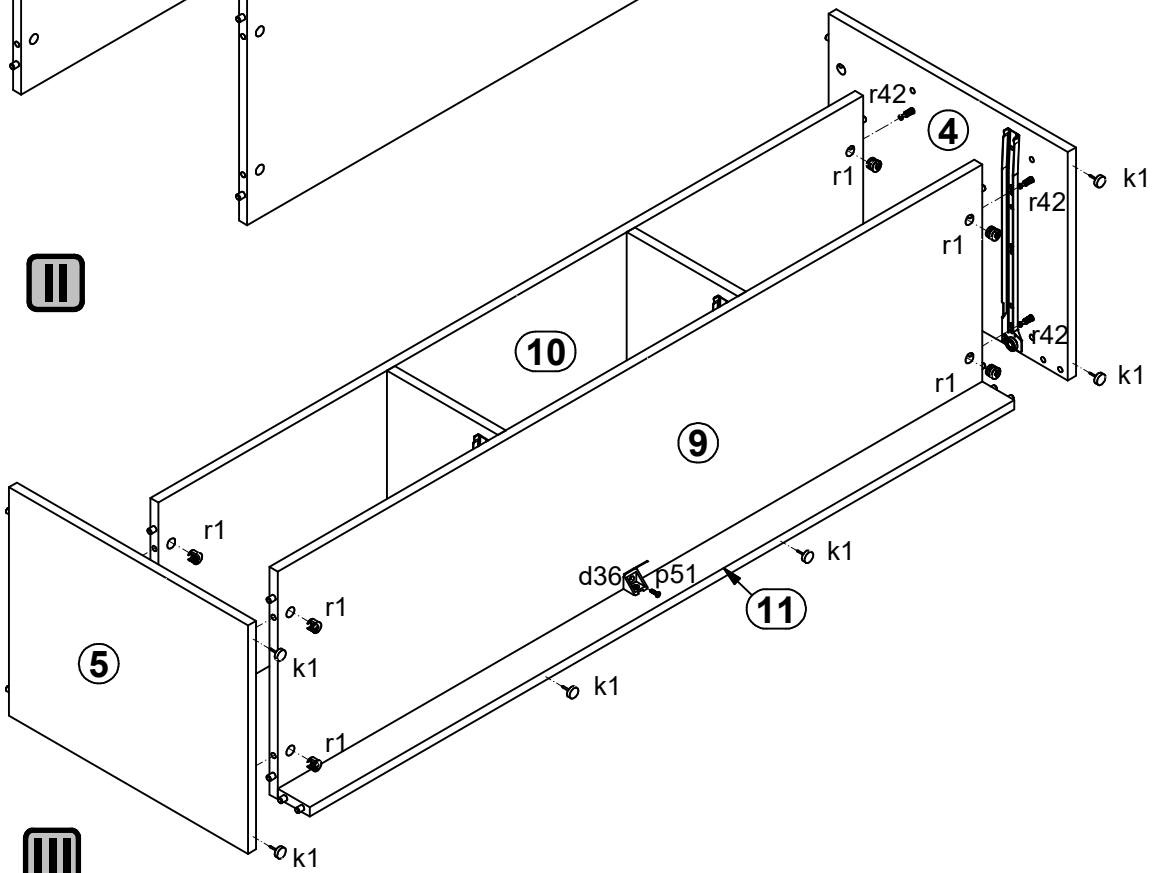
# 2



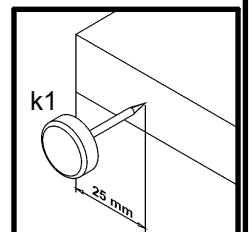
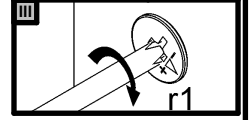
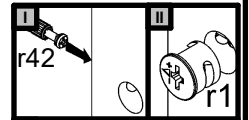
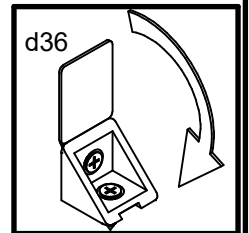
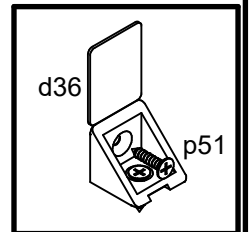
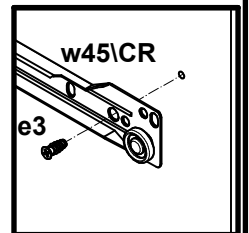
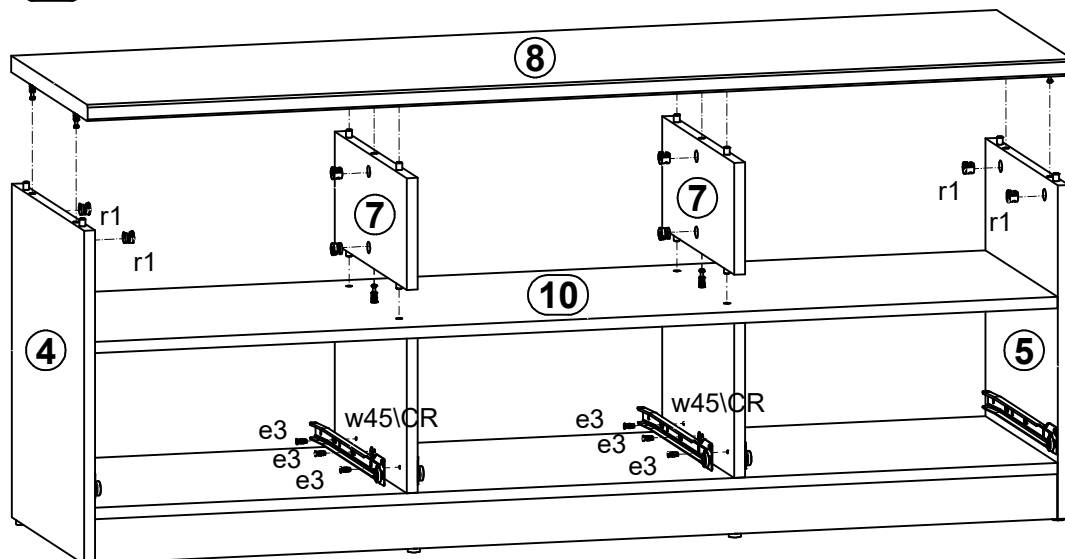
I



II



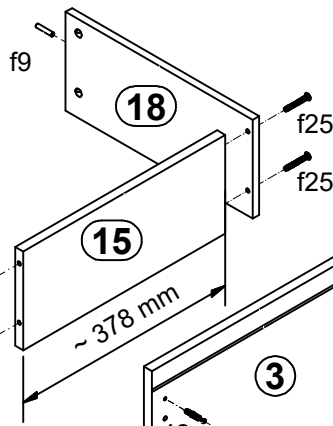
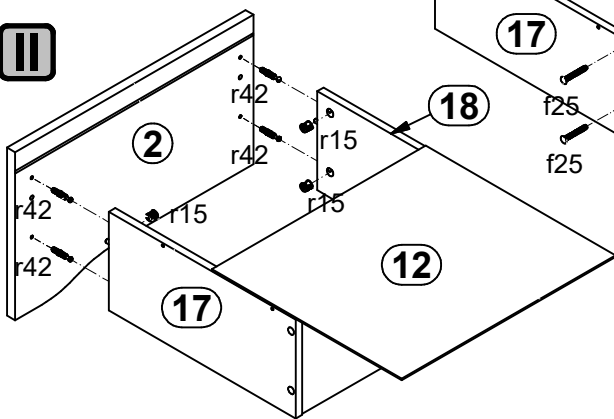
III



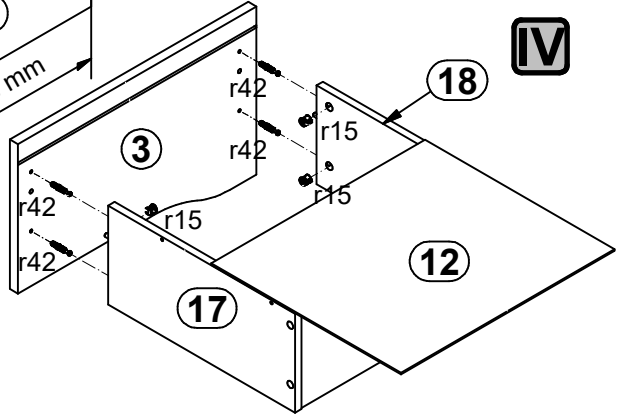
# 3

## 2x I

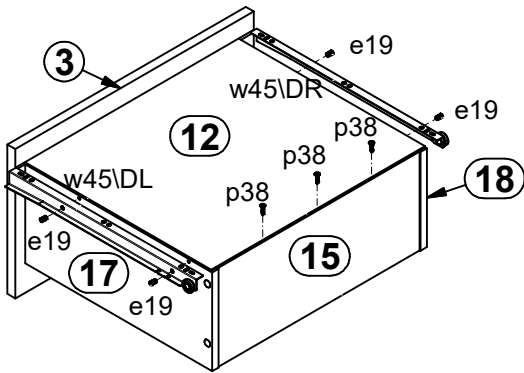
### II



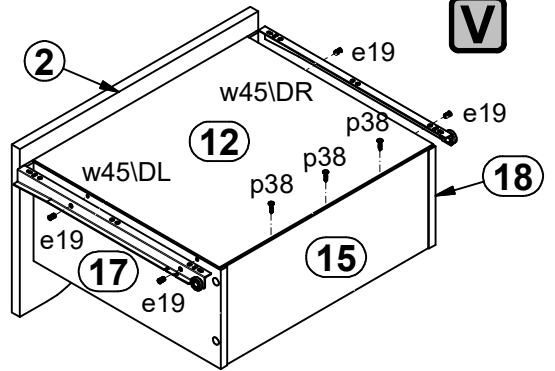
### IV



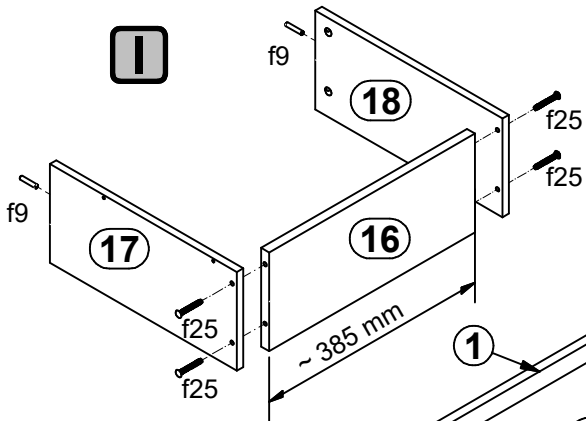
### III



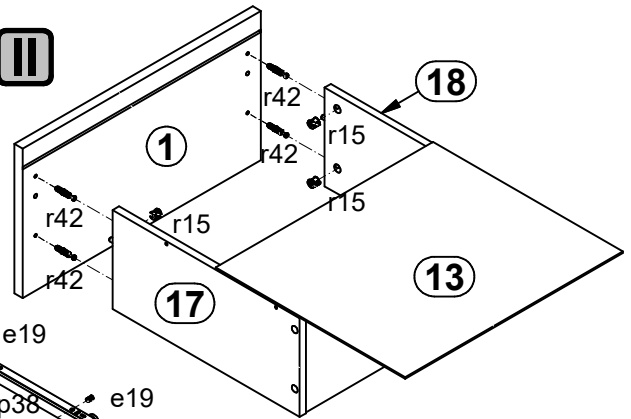
### V



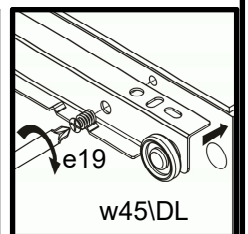
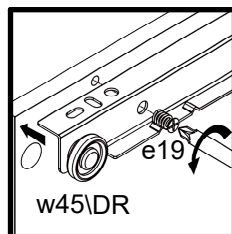
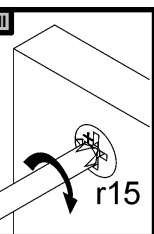
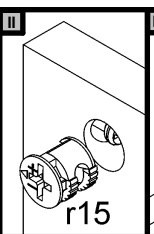
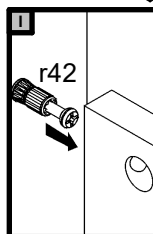
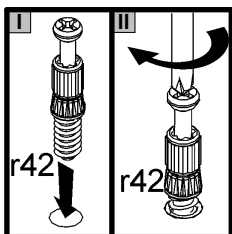
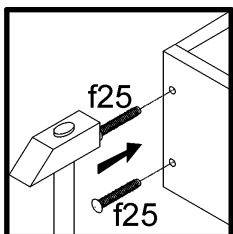
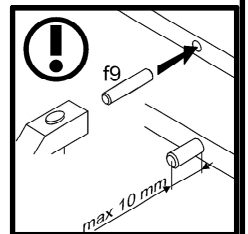
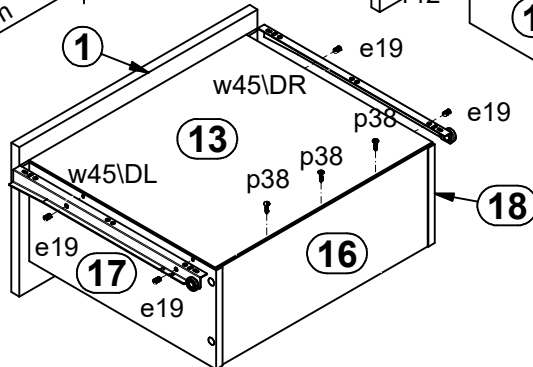
### I



### II



### III



# 4

