

A	B	C1	C2	C3	D
1	M246-0001	809	596	16	1/1
2	M246-1001	986	354,	15	1/1
3	M246-1002	986	354,	15	1/1
4	M246-2001	600	354,	15	1/1
5	M246-2002	600	354,	15	1/1
6	M246-3001	568	324,	15	1/1
7	M246-9001	996,	579	2,5	1/1
8	S504-0005	200	596	16	1/1
9	S504-4033	569	68	15	1/1
10	S504-5702	569	68	16	1/1
11	WSP-9081	539	308	2,5	1/1
12	ZQ6-5043	529	97	15	1/1
13	ZQ6-517	300	110	12	1/1
14	ZQ6-518	300	110	12	1/1

2x a102	2x b59	8x d1 Ø5x17 mm
2x d41/2	4x e1 Ø7x50 mm	8x e3 Ø6x13 mm
8x f1 Ø8x30 mm	4x f25 Ø6.5x40 mm	4x k27
8x l2	1x p25 Ø3.5x16 mm	1x p35 Ø3.5x10 mm
12x p38 Ø3.5x16 mm	4x p51 Ø3.5x15 mm	2x p55 Ø2.9x16 mm
4x r1 Ø15x12 mm #16	4x r15 Ø12x10.5 mm #12	8x r42
2x s71 Ø35x62x40x10	1x t25 300 mm	1x w125/P 300 mm
1x w125/P 300 mm	1x z1	



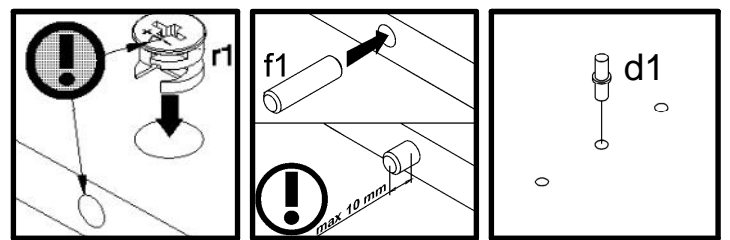
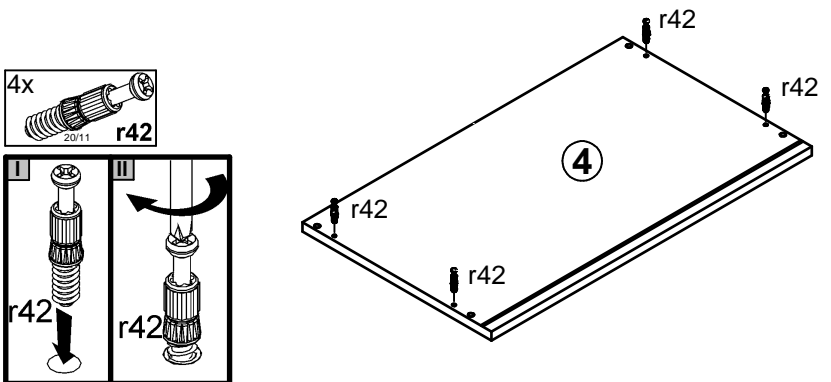
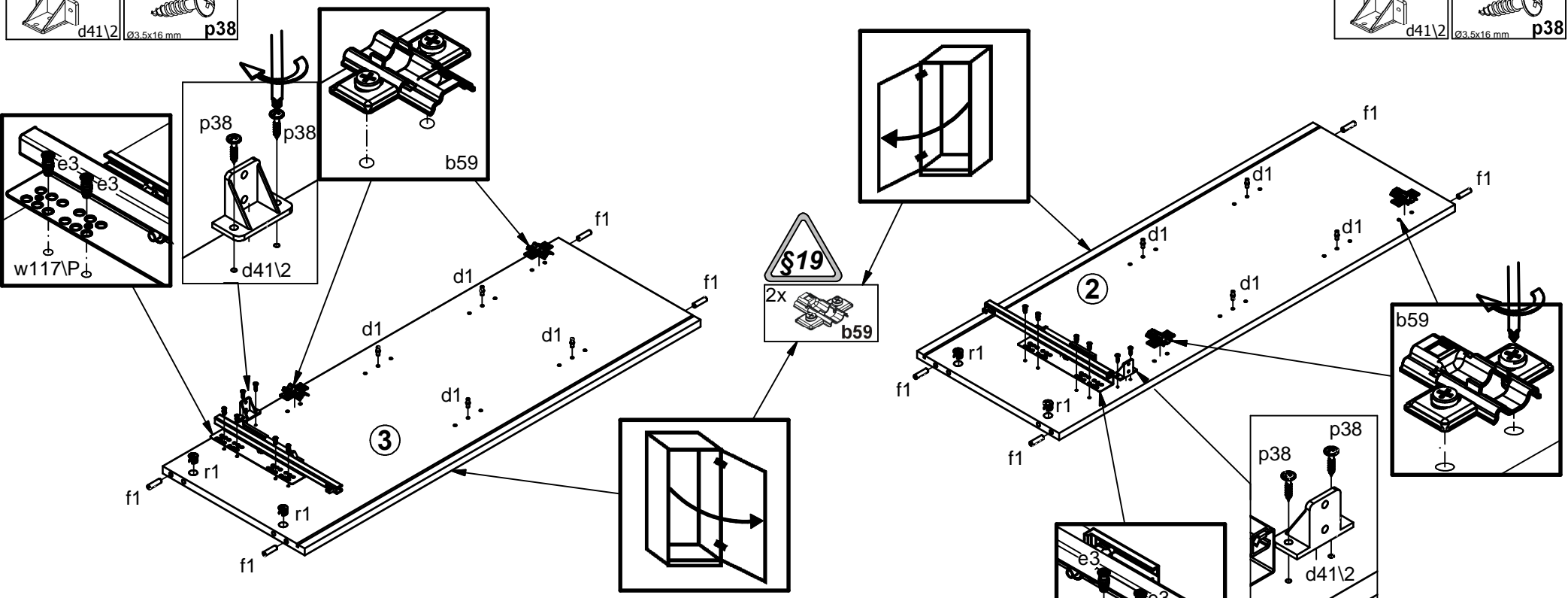
1x f35 Ø10x50 mm	1x n14/2 36x21x15/1.5	1x p17 Ø5x60 mm	2x p38 Ø3.5x16 mm
----------------------------	---------------------------------	---------------------------	-----------------------------

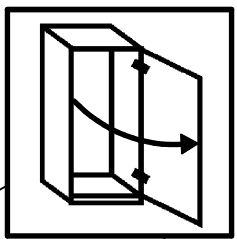
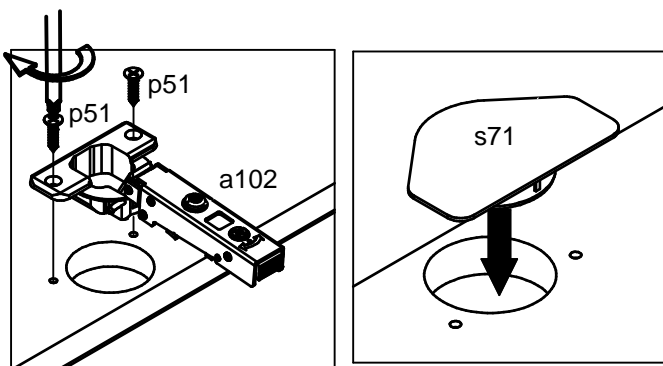
A M246-KOM1D1S/10/6

4x Ø8x30 mm f1	2x Ø15x12 mm #16 r1	4x Ø5x17 mm d1	1x 300mm w125/P	4x Ø6x13 mm e3
1x d41\2	2x Ø3.5x16 mm p38			

4x Ø8x30 mm f1	2x Ø15x12 mm #16 r1	4x Ø5x17 mm d1	1x 300mm w125/P	4x Ø6x13 mm e3
1x d41\2	2x Ø3.5x16 mm p38			

1 





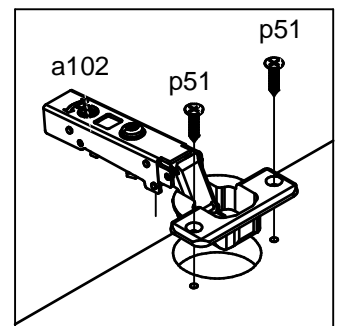
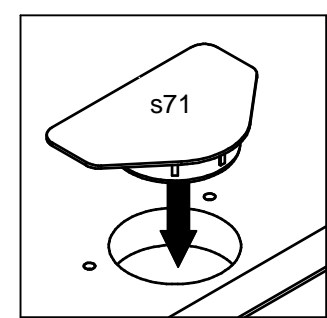
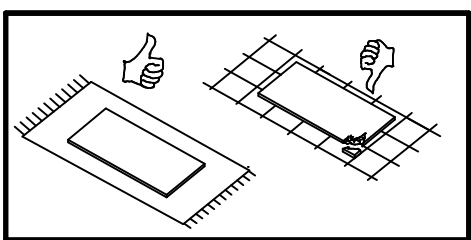
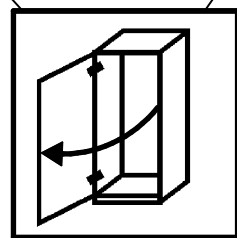
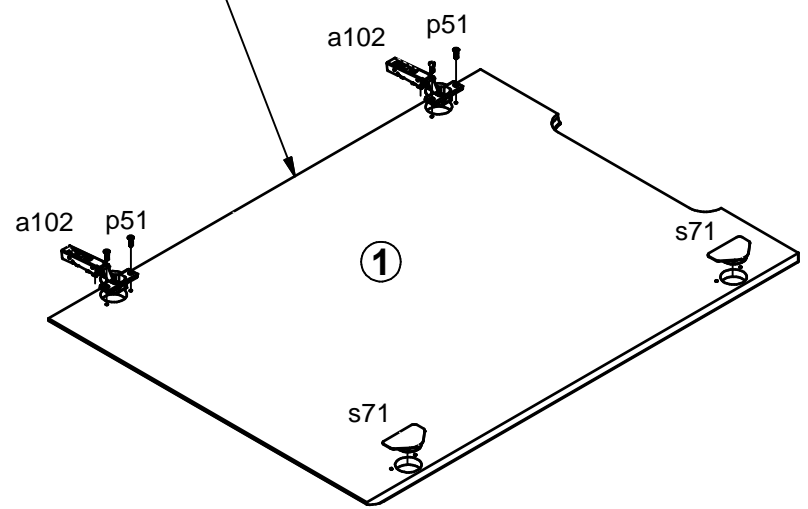
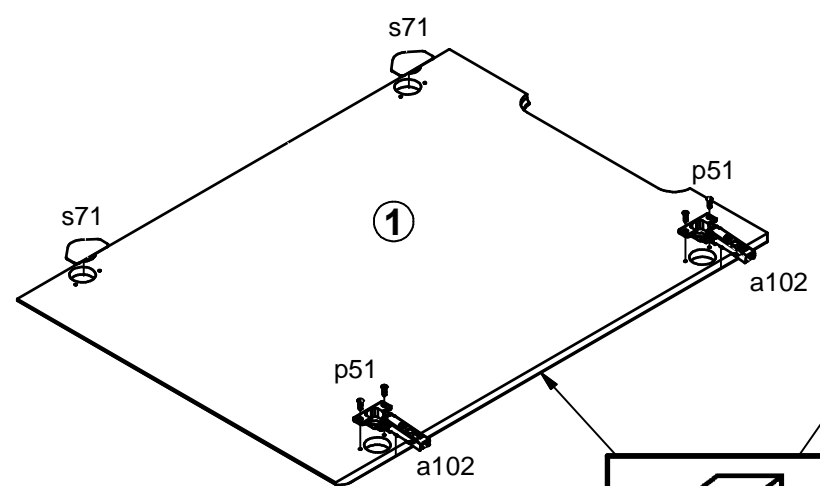
! (Warning symbol)

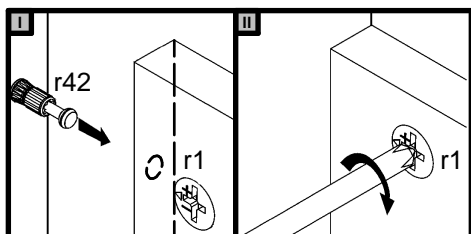
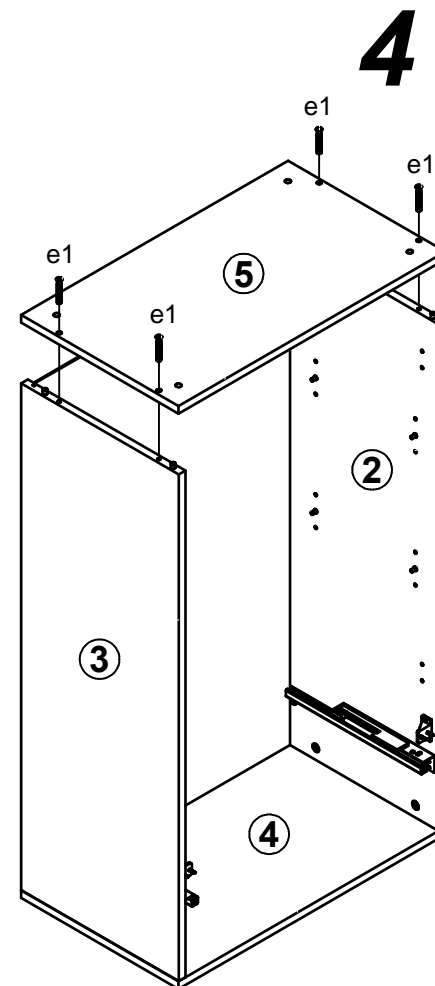
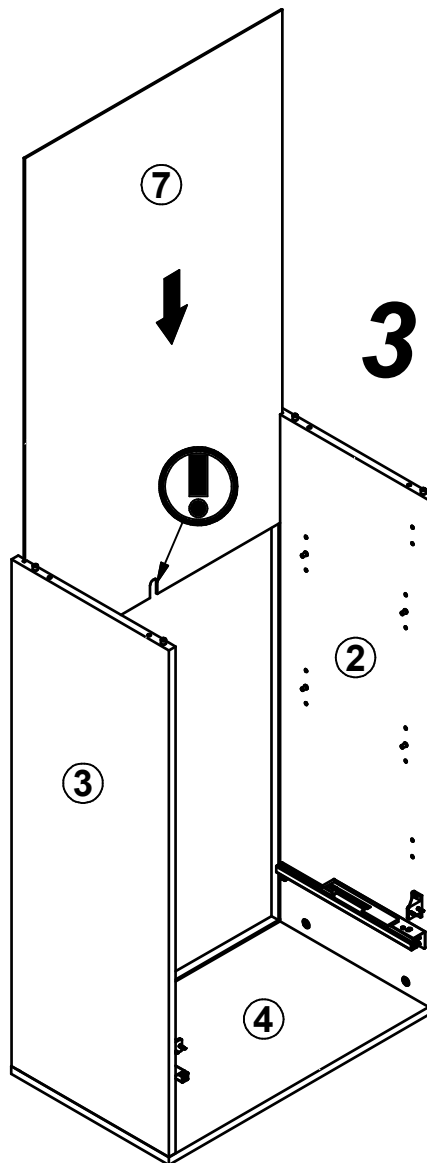
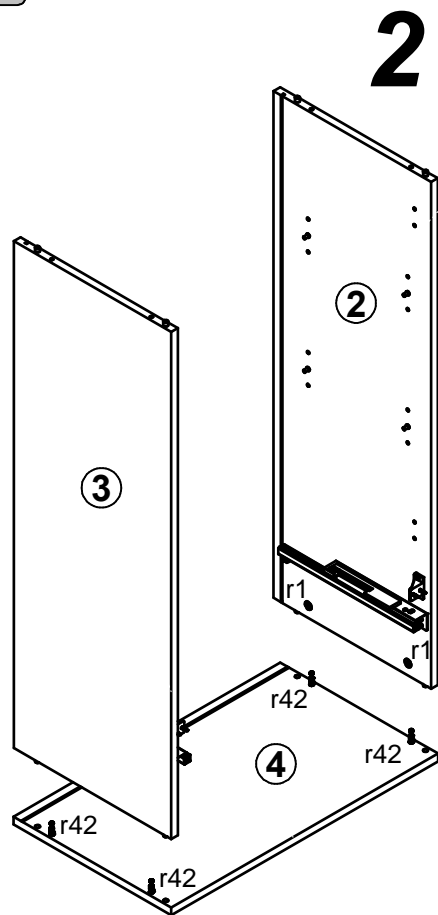
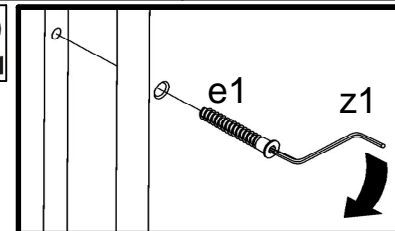
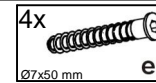
§19 (Safety symbol)

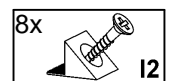
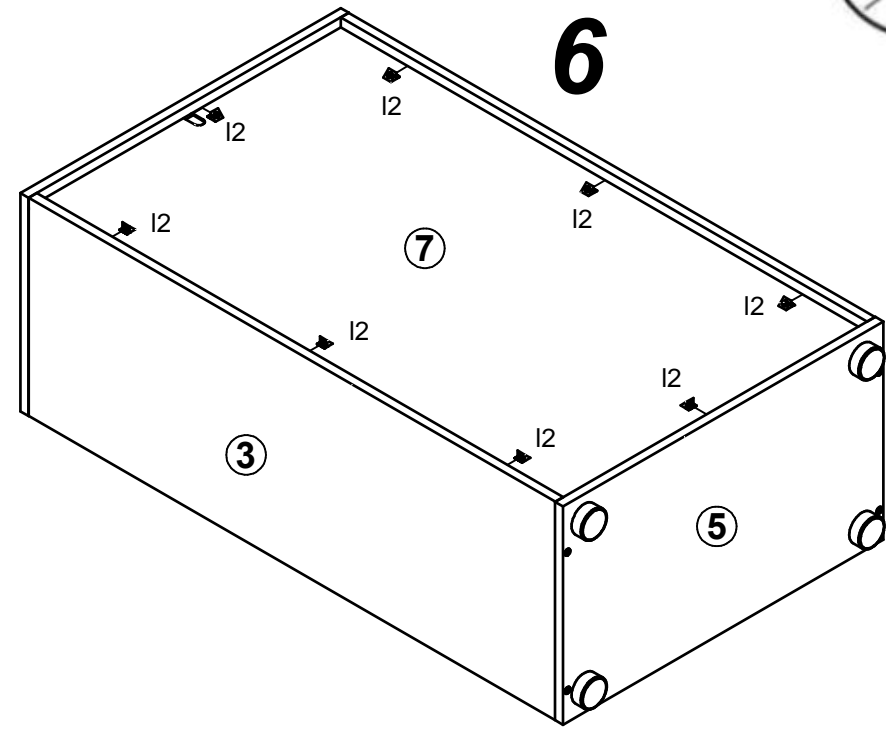
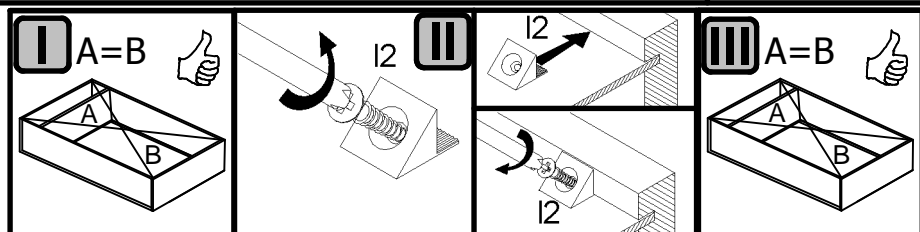
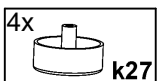
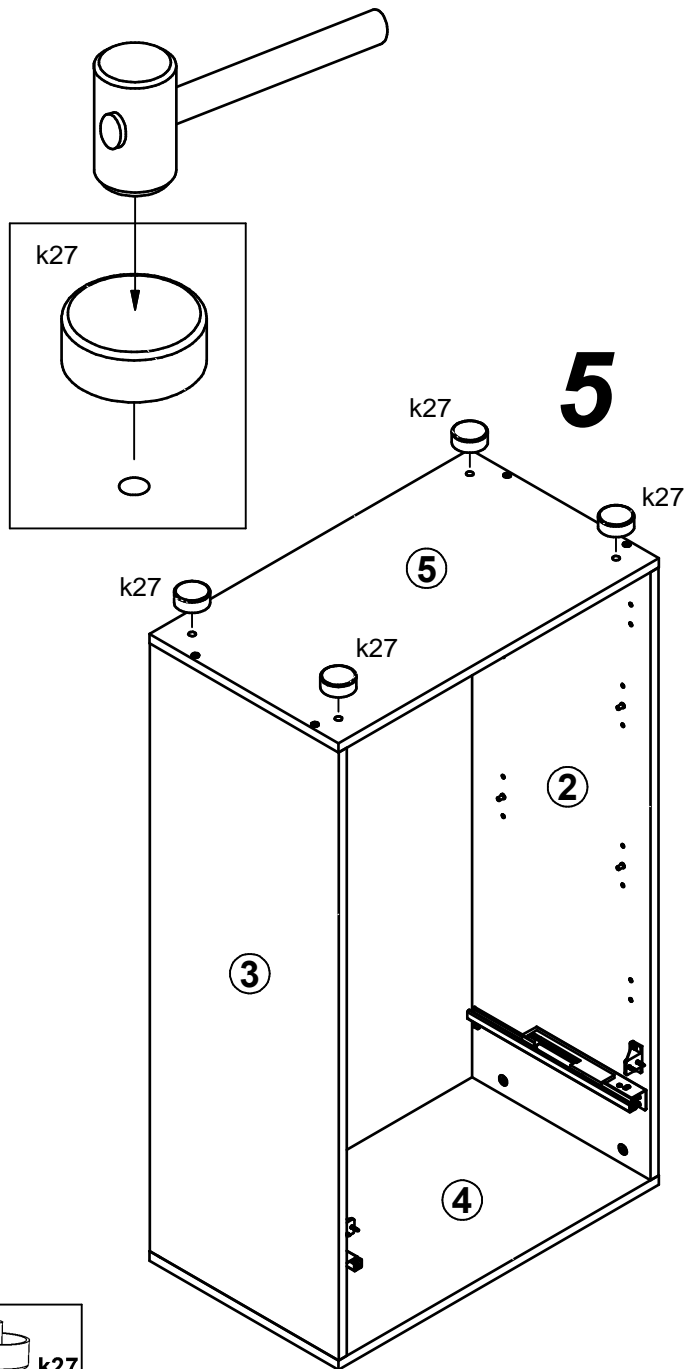
2X s71
 Ø35x62x40x10

4X p51
 Ø3.5x15 mm

2X a102

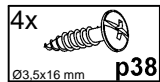
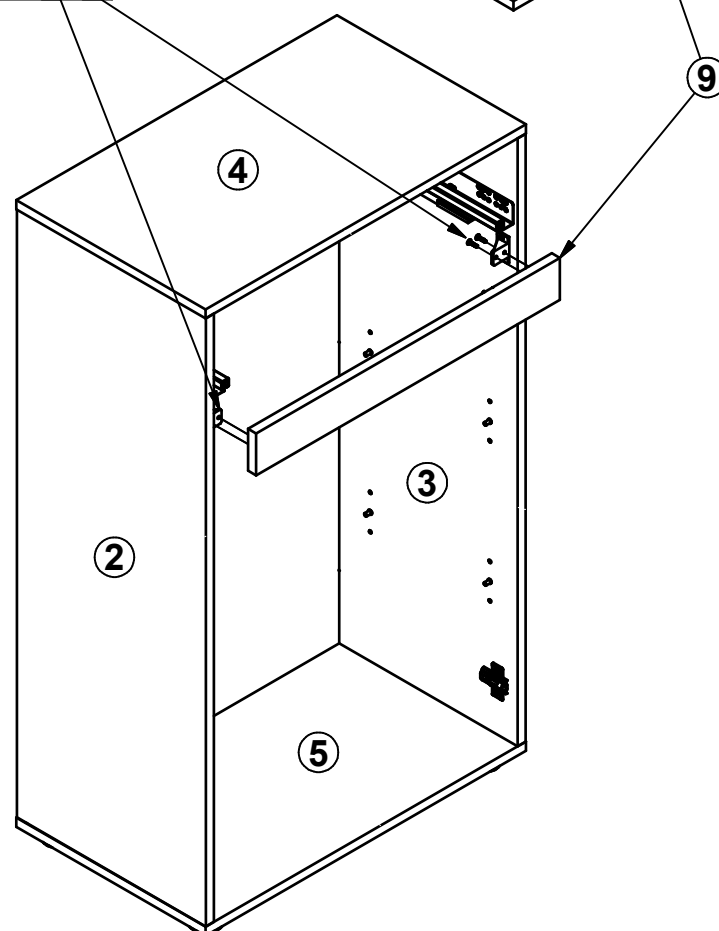
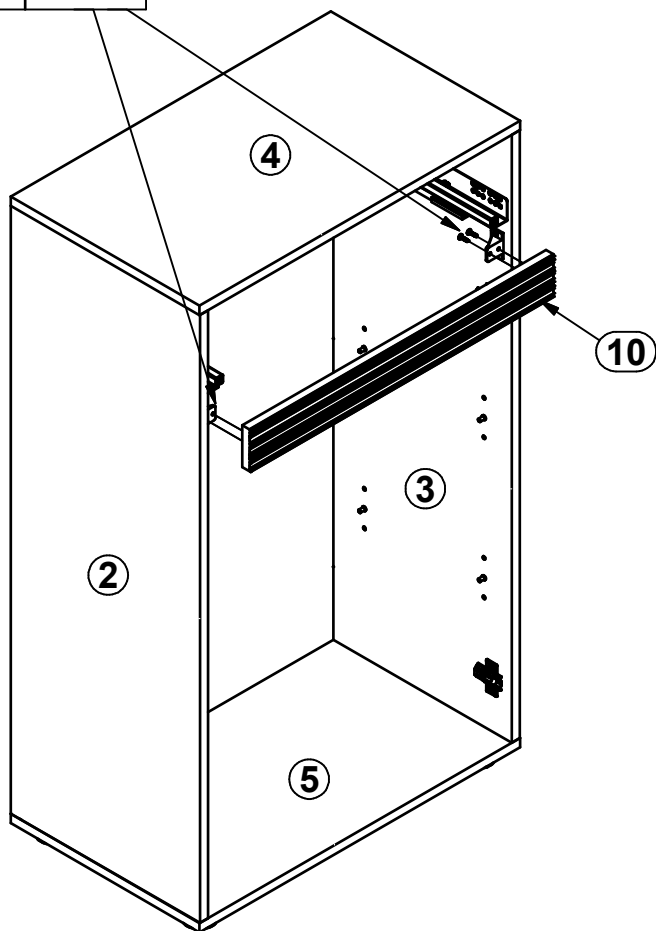
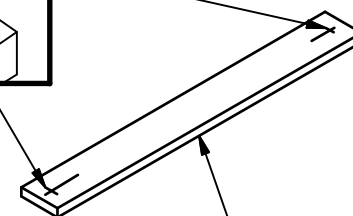
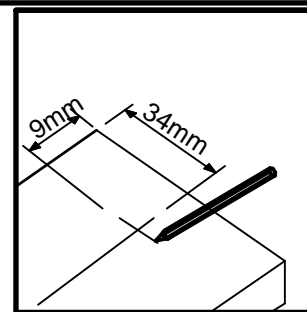
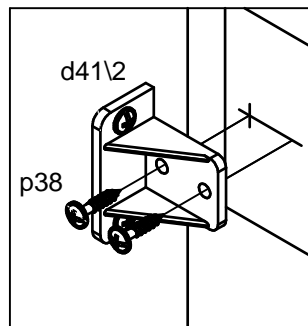
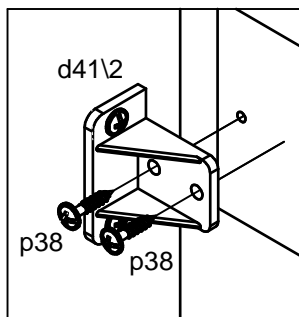


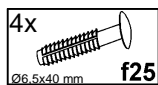
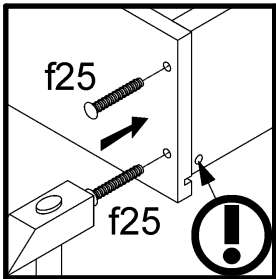




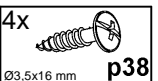
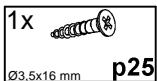
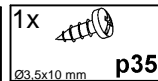
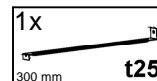
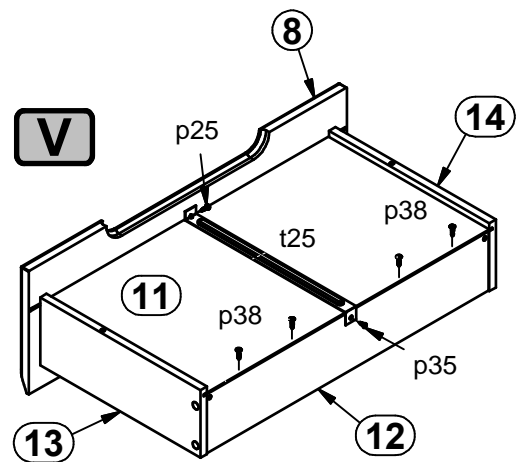
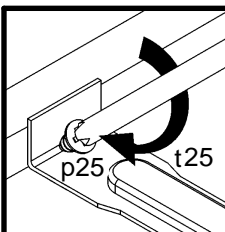
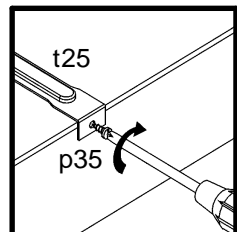
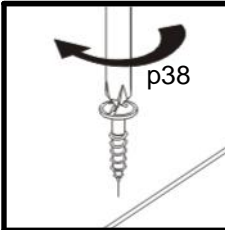
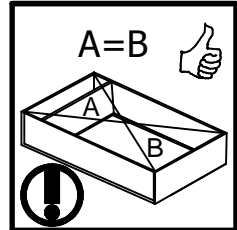
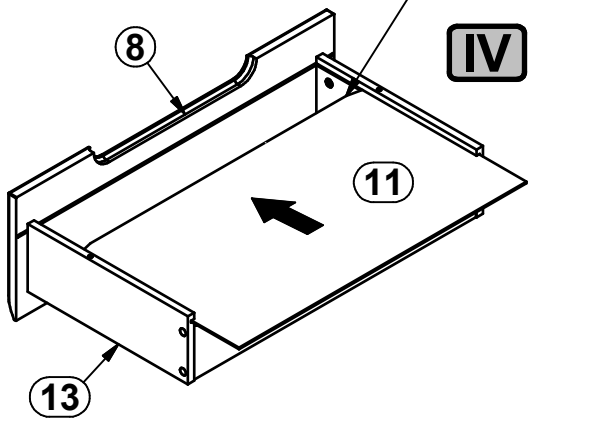
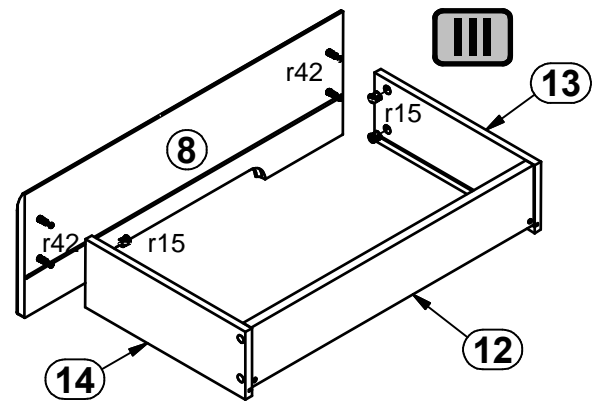
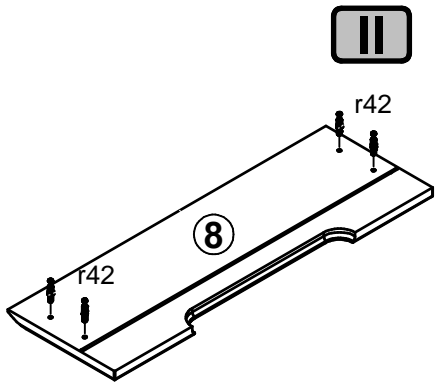
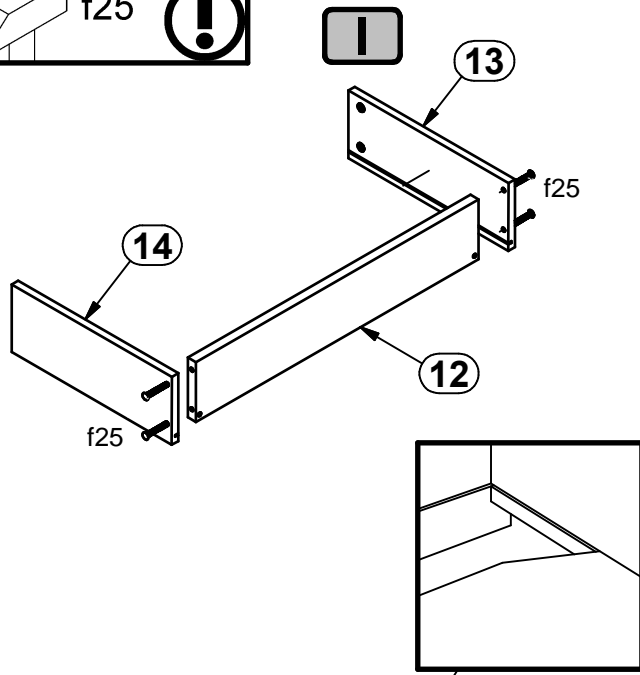
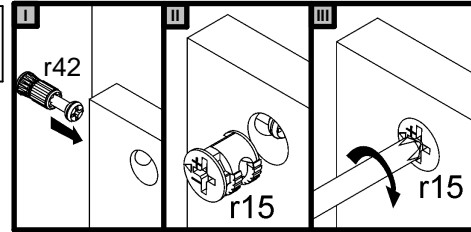
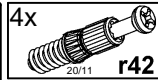
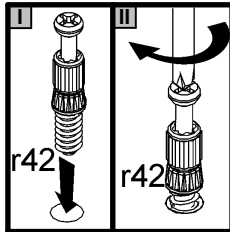


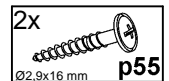
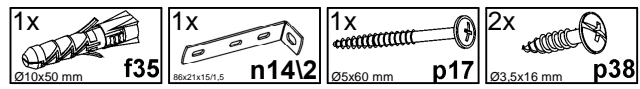
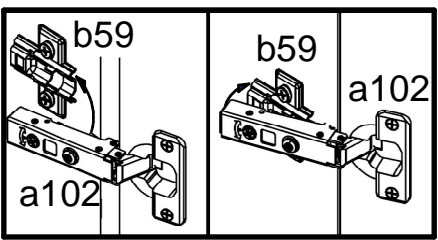
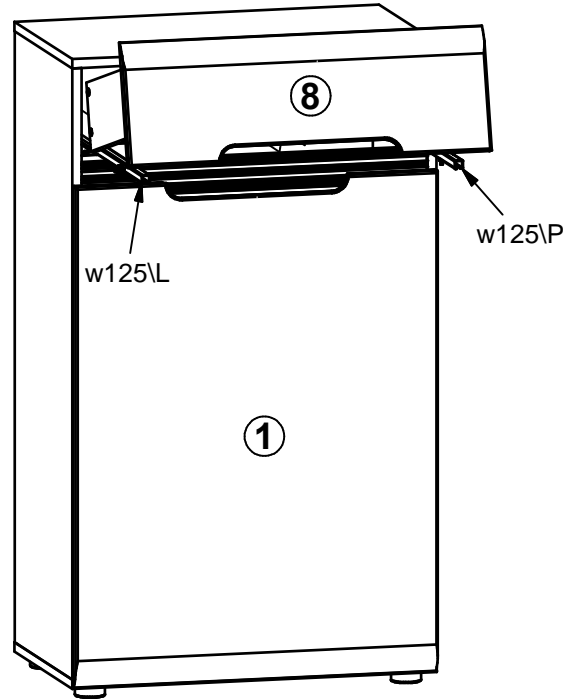
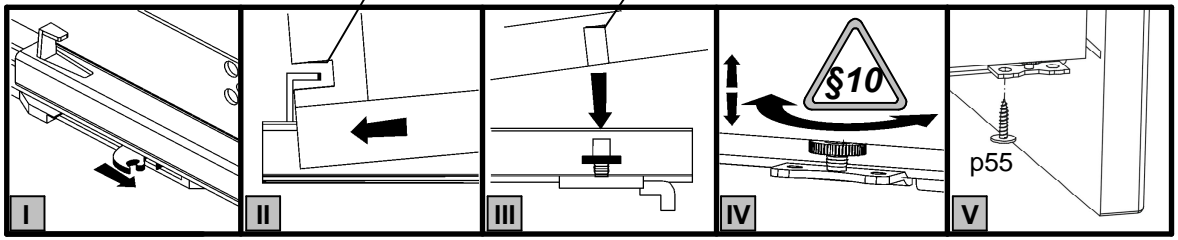
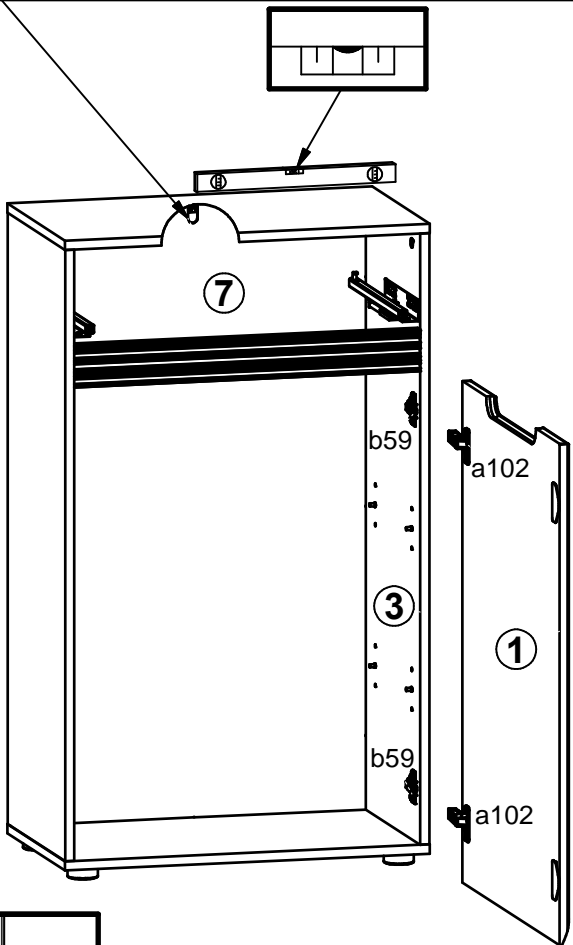
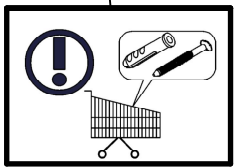
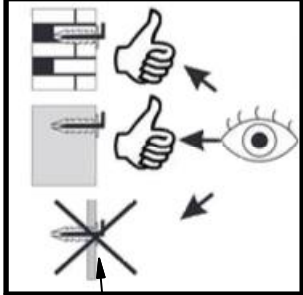
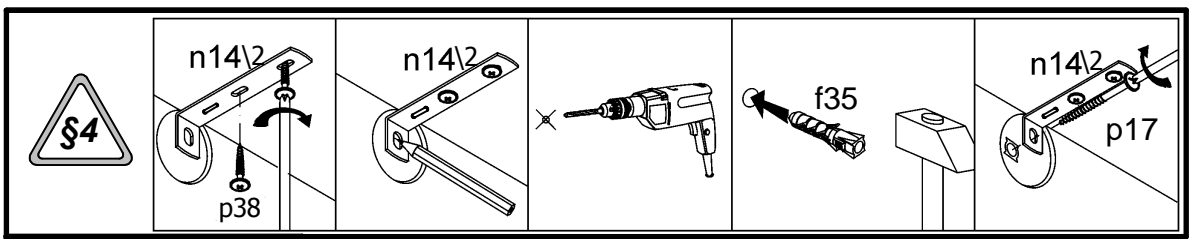
7

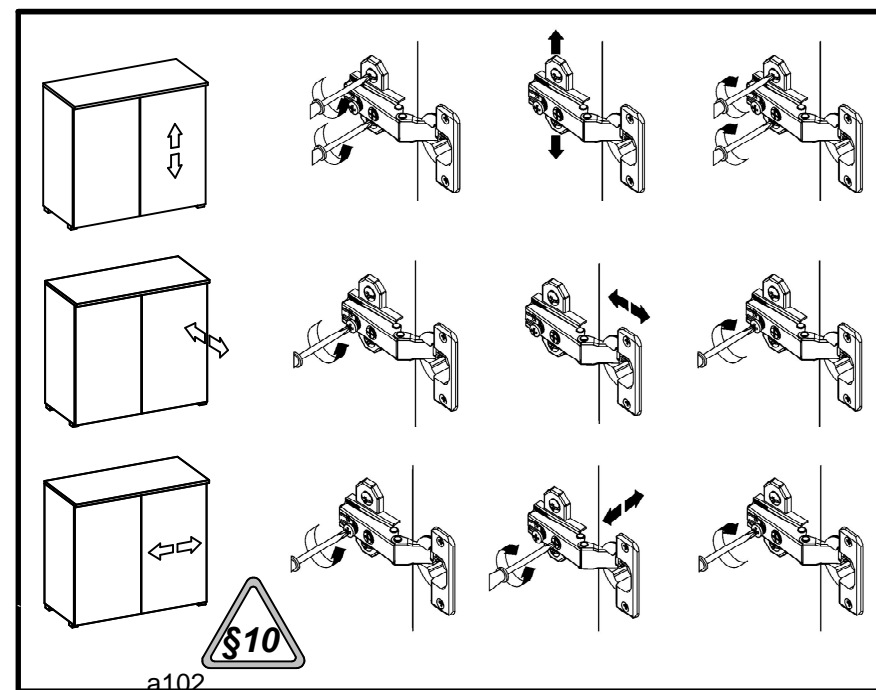
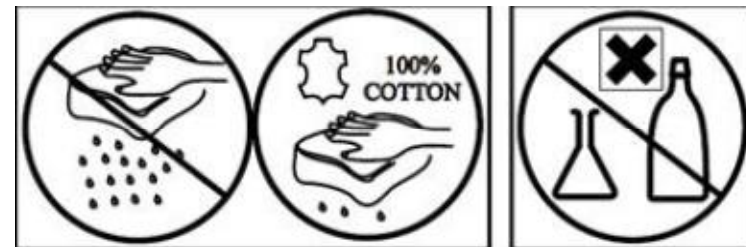
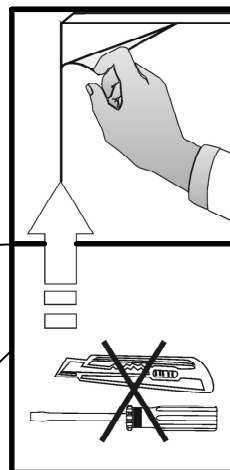
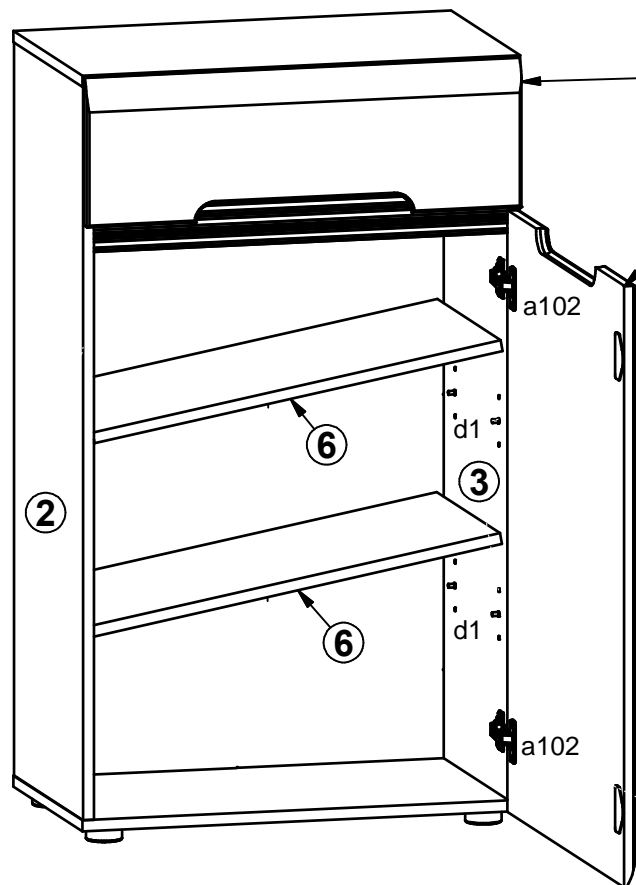




8







a102