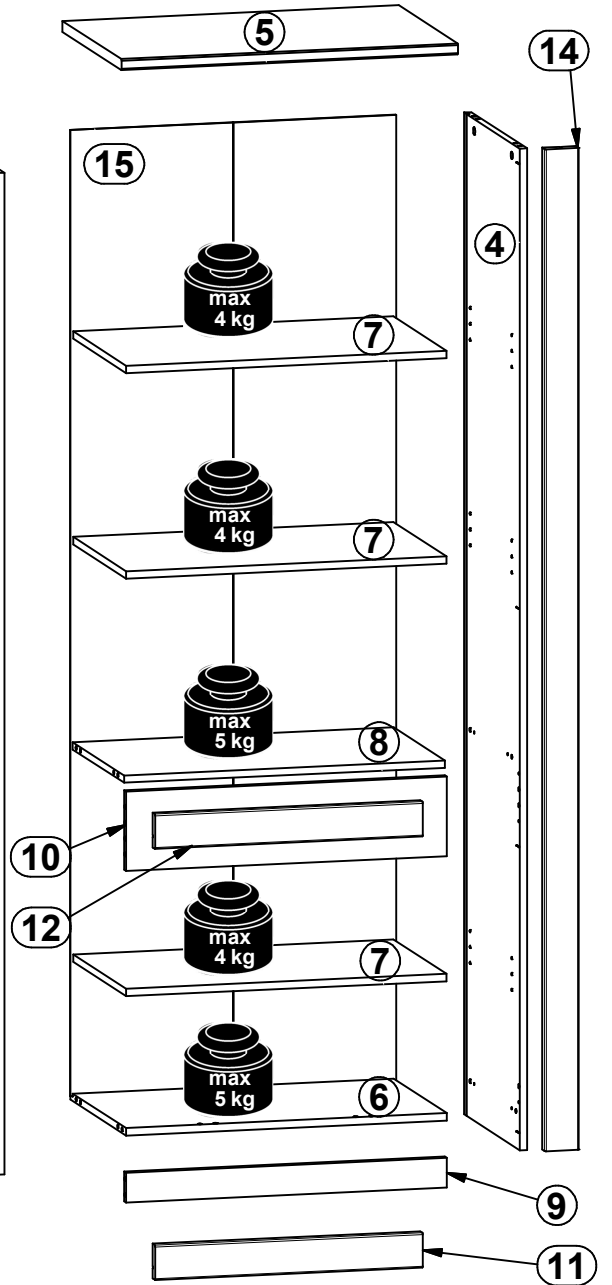
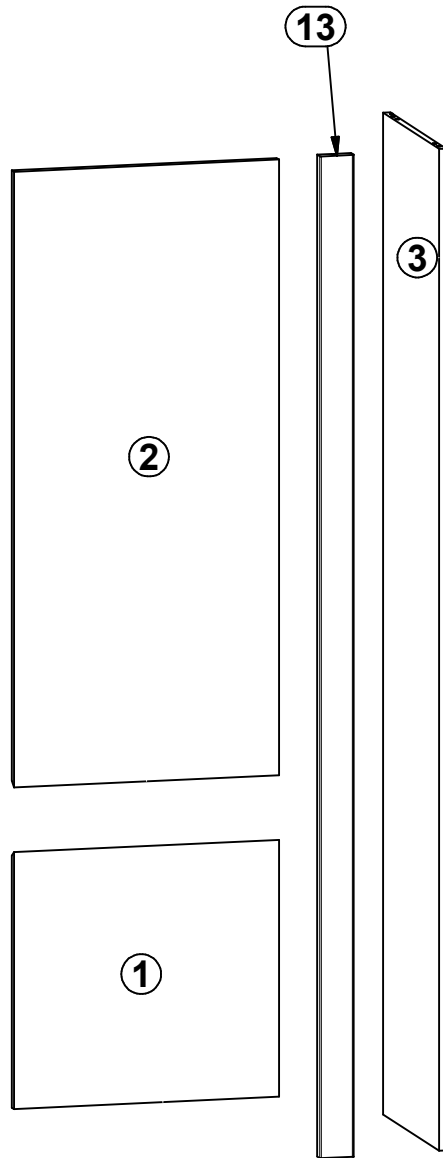
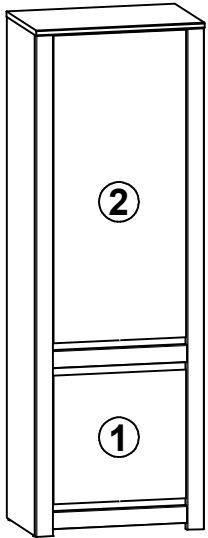
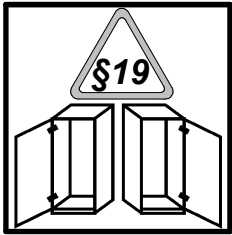
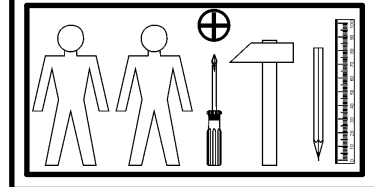
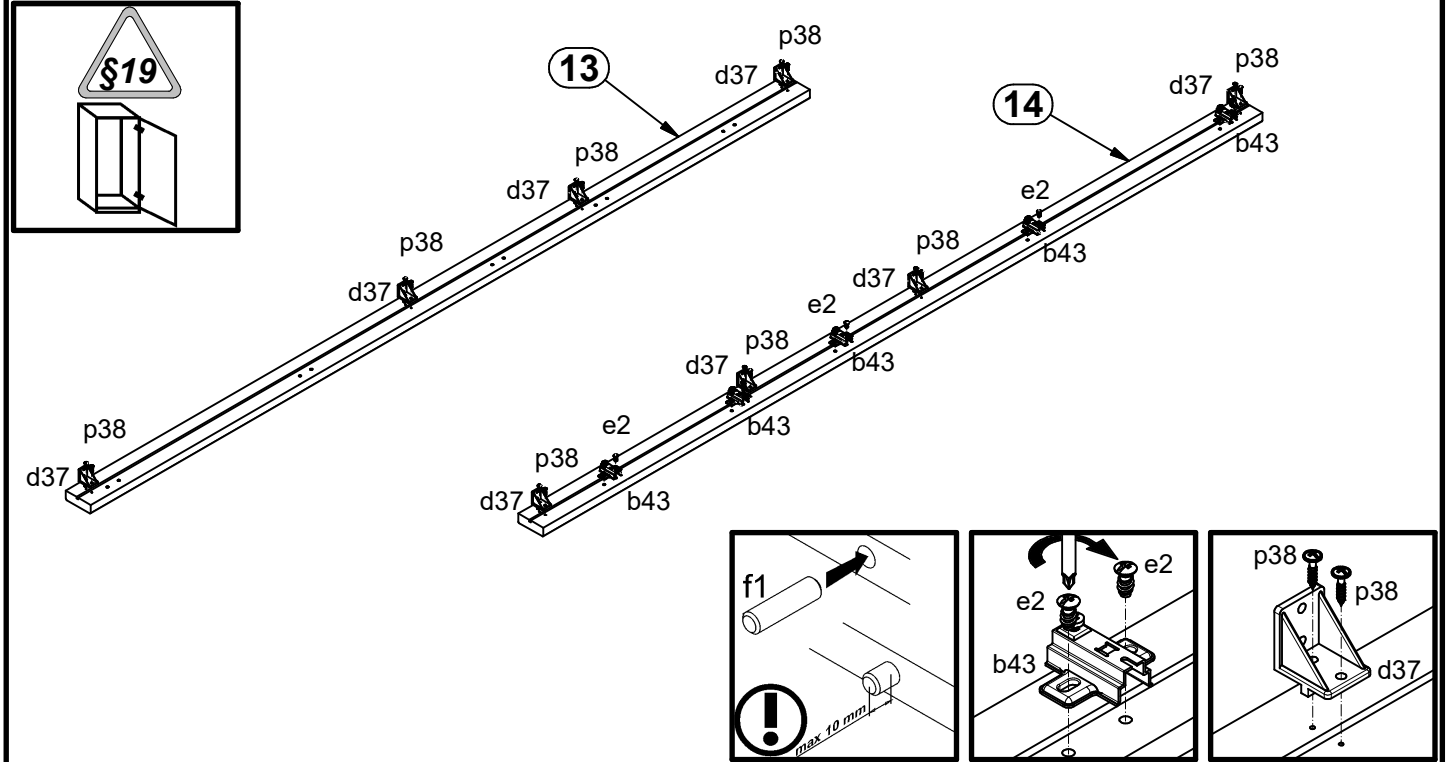
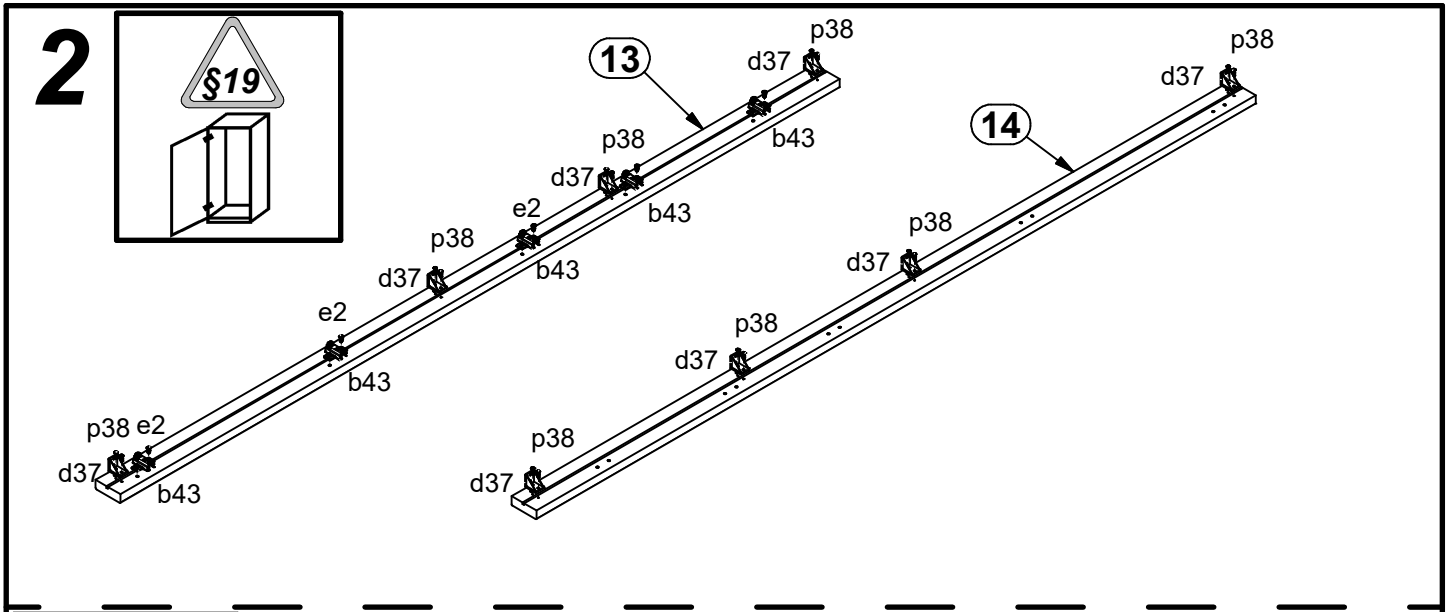
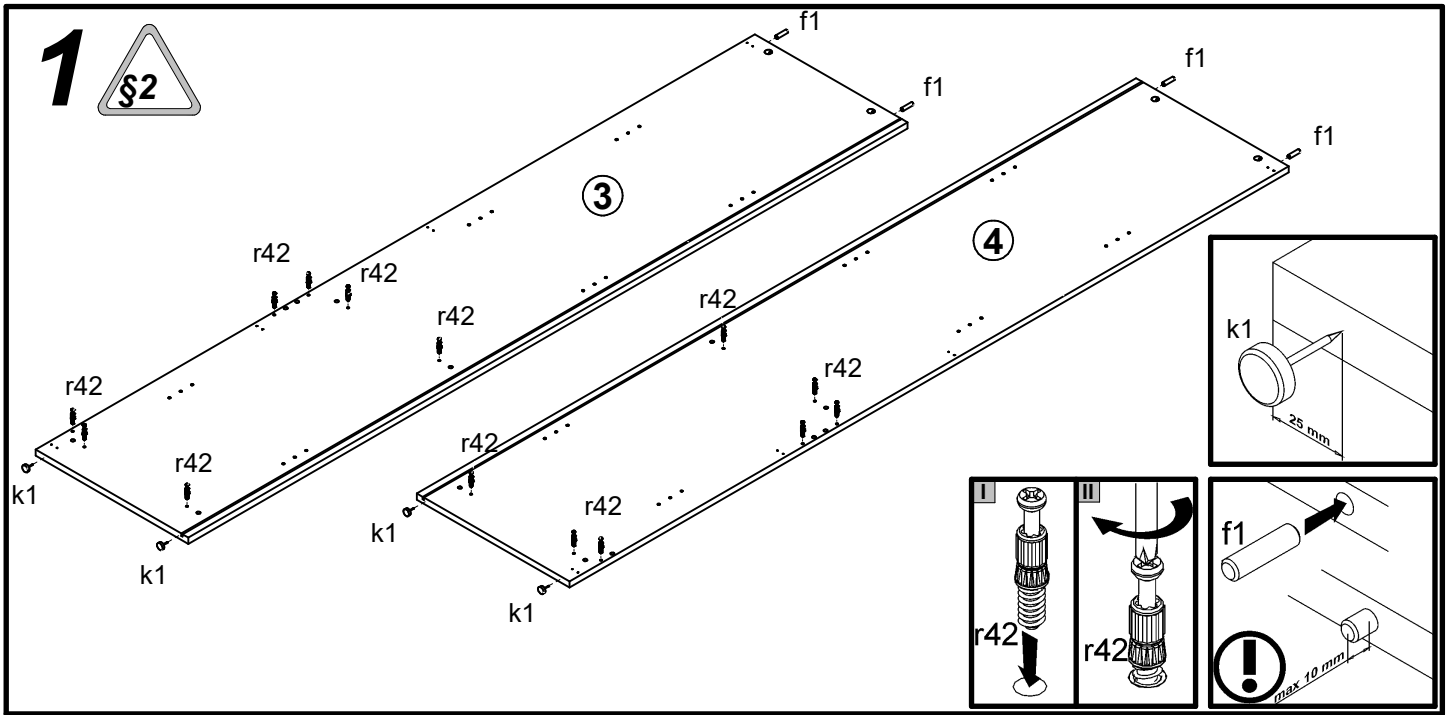


A	B	C	D
1	S404-0017	518	544 3/3
2	S404-0020	1240	544 3/3
3	S404-1027	2018	428 1/3
4	S404-1028	2018	428 1/3
5	S404-2007	691	454 2/3
6	S404-3010	659	428 2/3
7	S404-3012	658	407 2/3
8	S404-3013	659	393 2/3

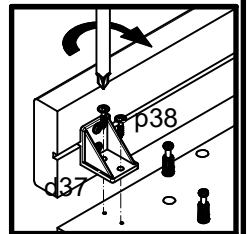
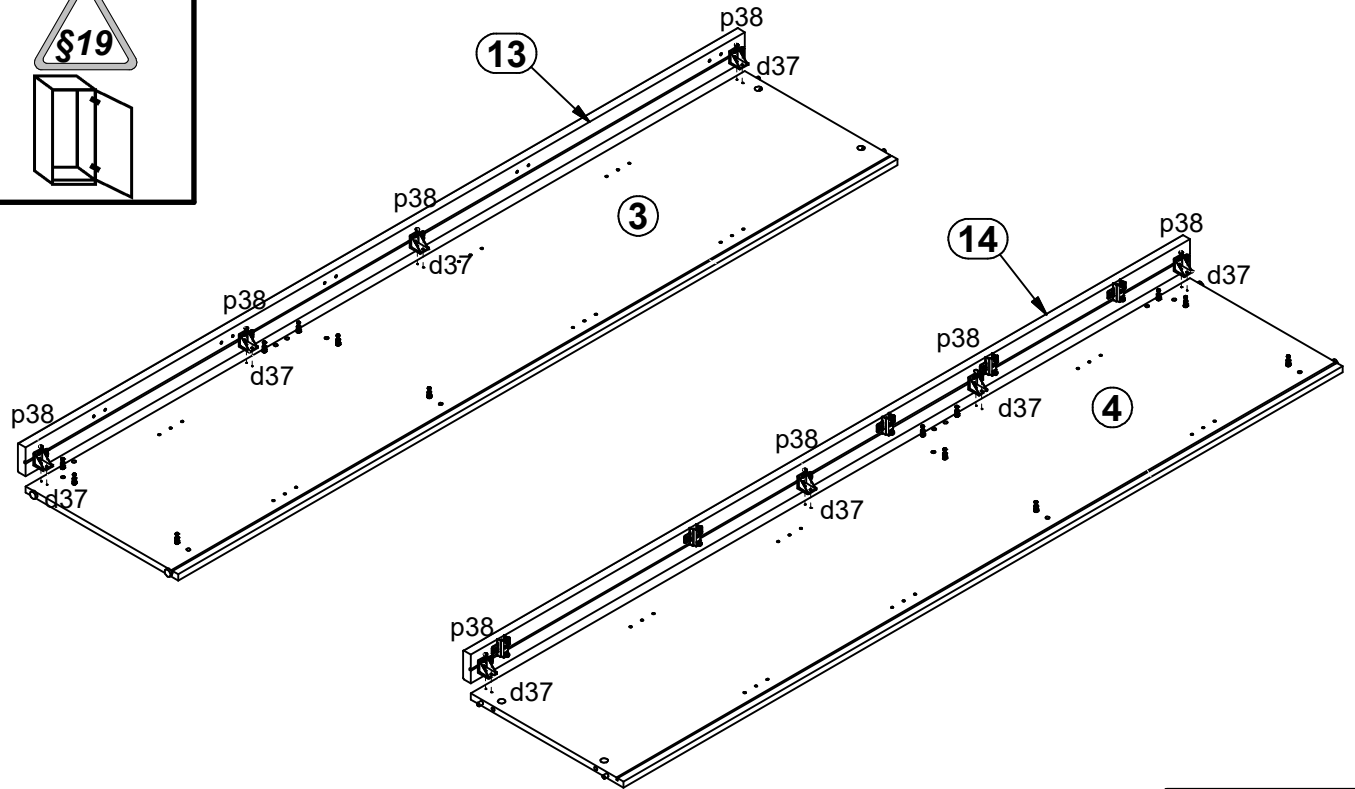
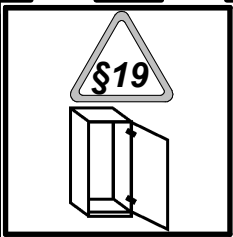
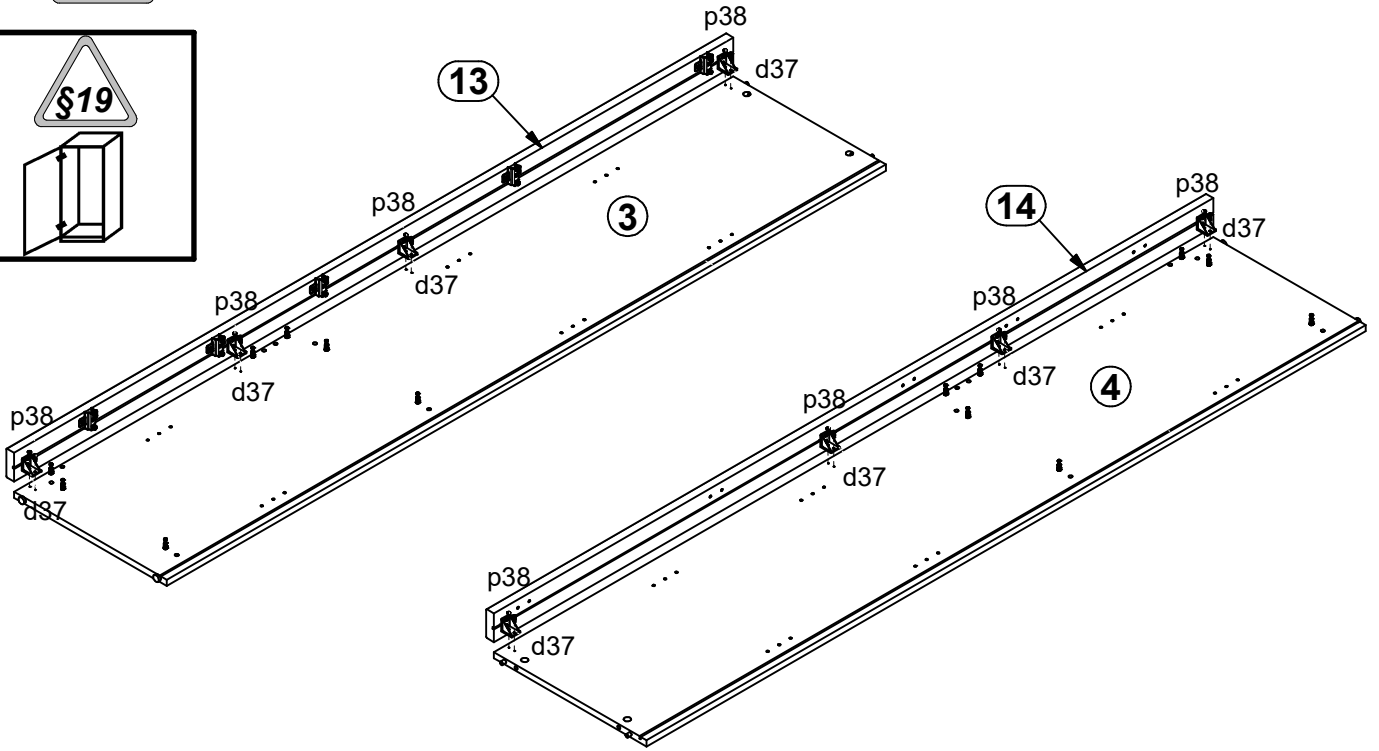
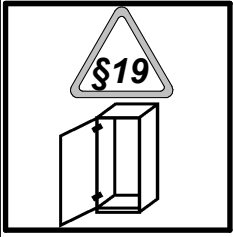
A	B	C	D
9	S404-4008	659	60 2/3
10	S404-4011	659	160 2/3
11	S404-5016	550	70 2/3
12	S404-5017	550	70 2/3
13	S404-5020	2018	70 1/3
14	S404-5021	2018	70 1/3
15	S404-9306	1946	669 1/3

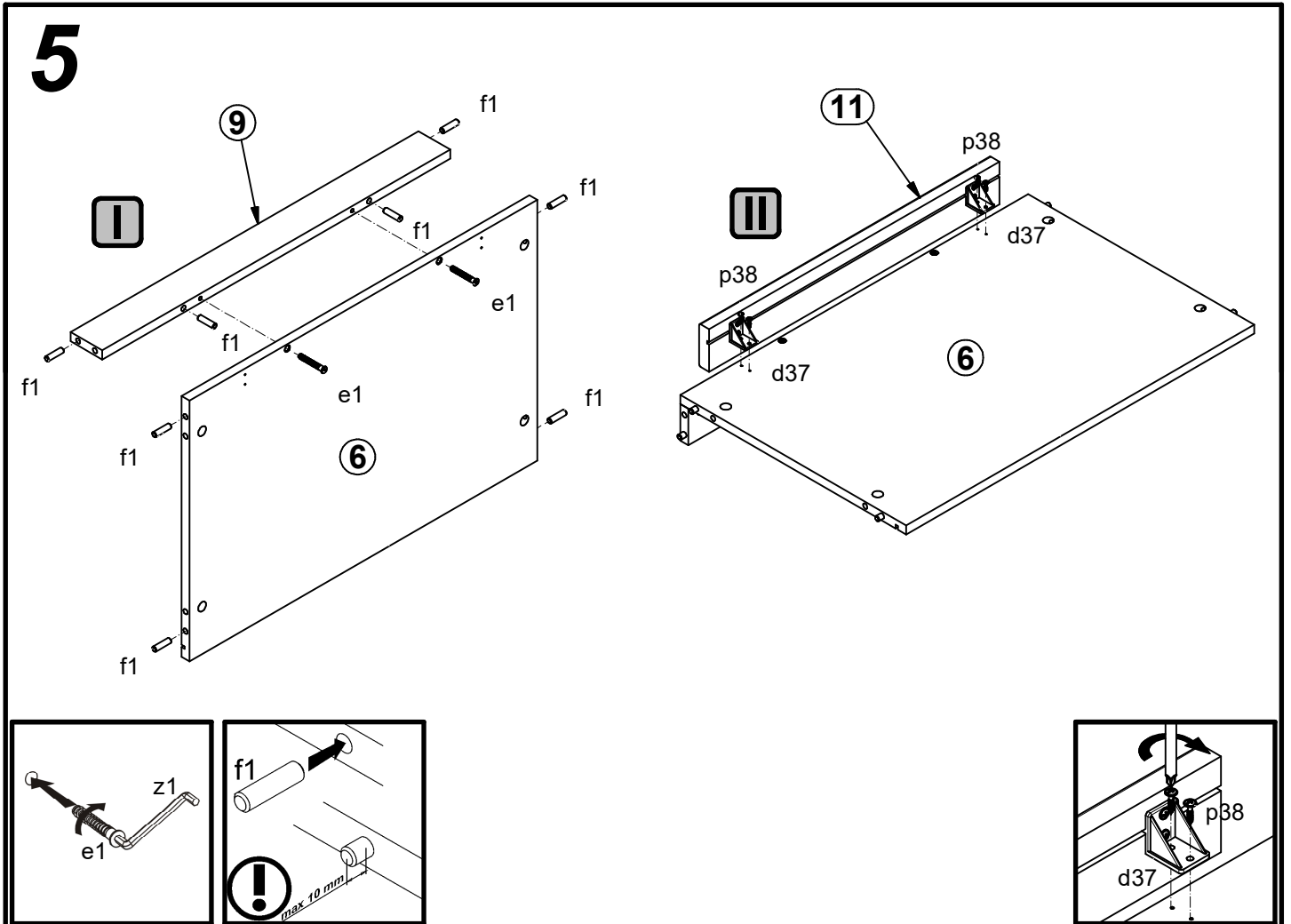
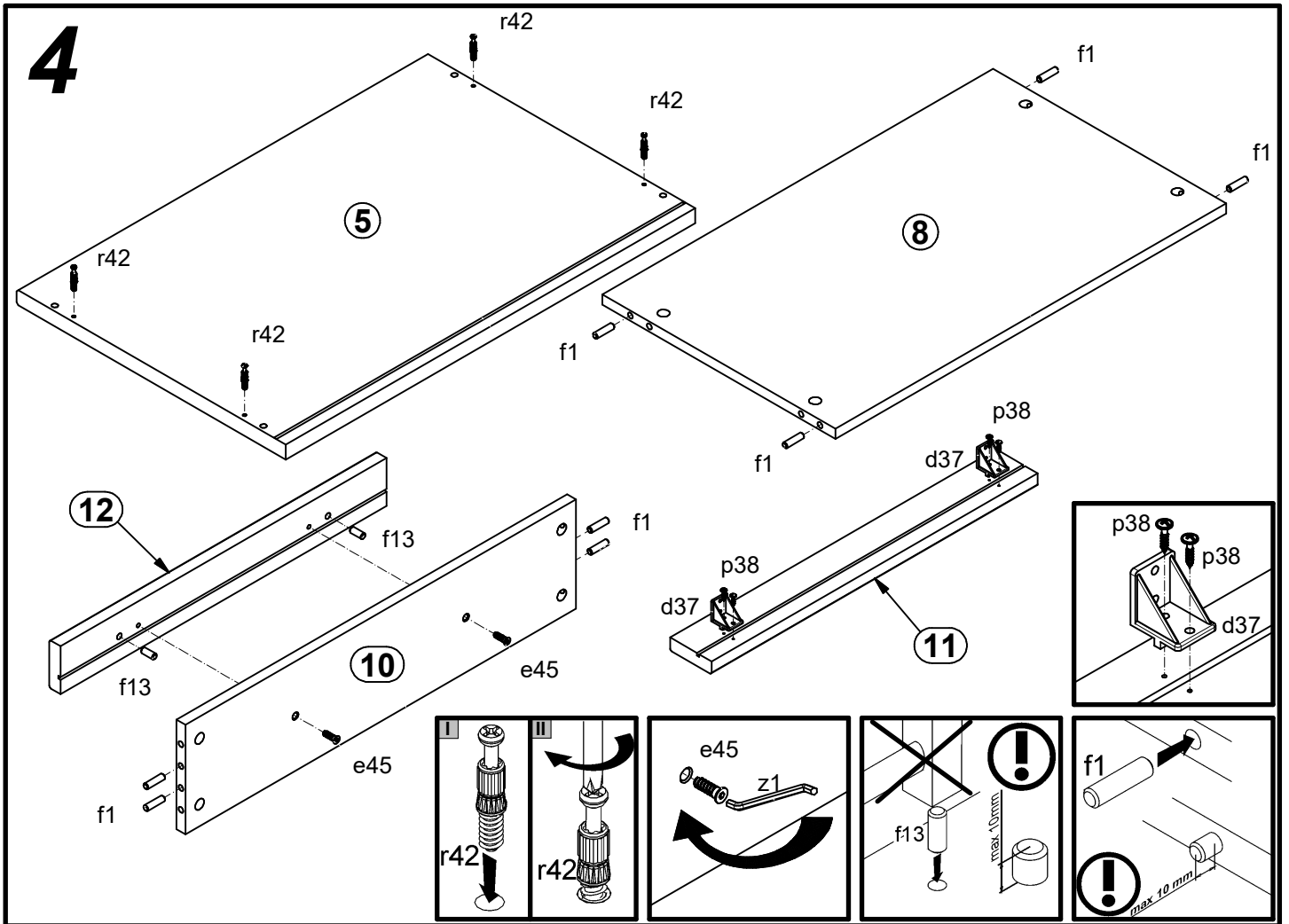


5x a132	2x a133	5x b43	12x d1 Ø5x17 mm	10x d37	2x e1 Ø7x50 mm	10x e2 Ø6.3x13 mm	2x e45 Ø7x24 mm	20x f1 Ø8x30 mm	
2x f13 Ø8x20 mm	4x k1	10x l1 1.4x20 mm	14x l2	40x p38 Ø3.5x16 mm	10x p51 Ø3.5x15 mm	18x r1 Ø15x12 mm #16	18x r42 20/11	5x s71 Ø35x62x40x10	
4x s2 Ø16	1x z1 4 mm					1x n26/1	1x p38 Ø3.5x16 mm		

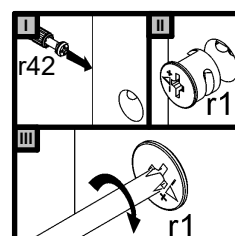
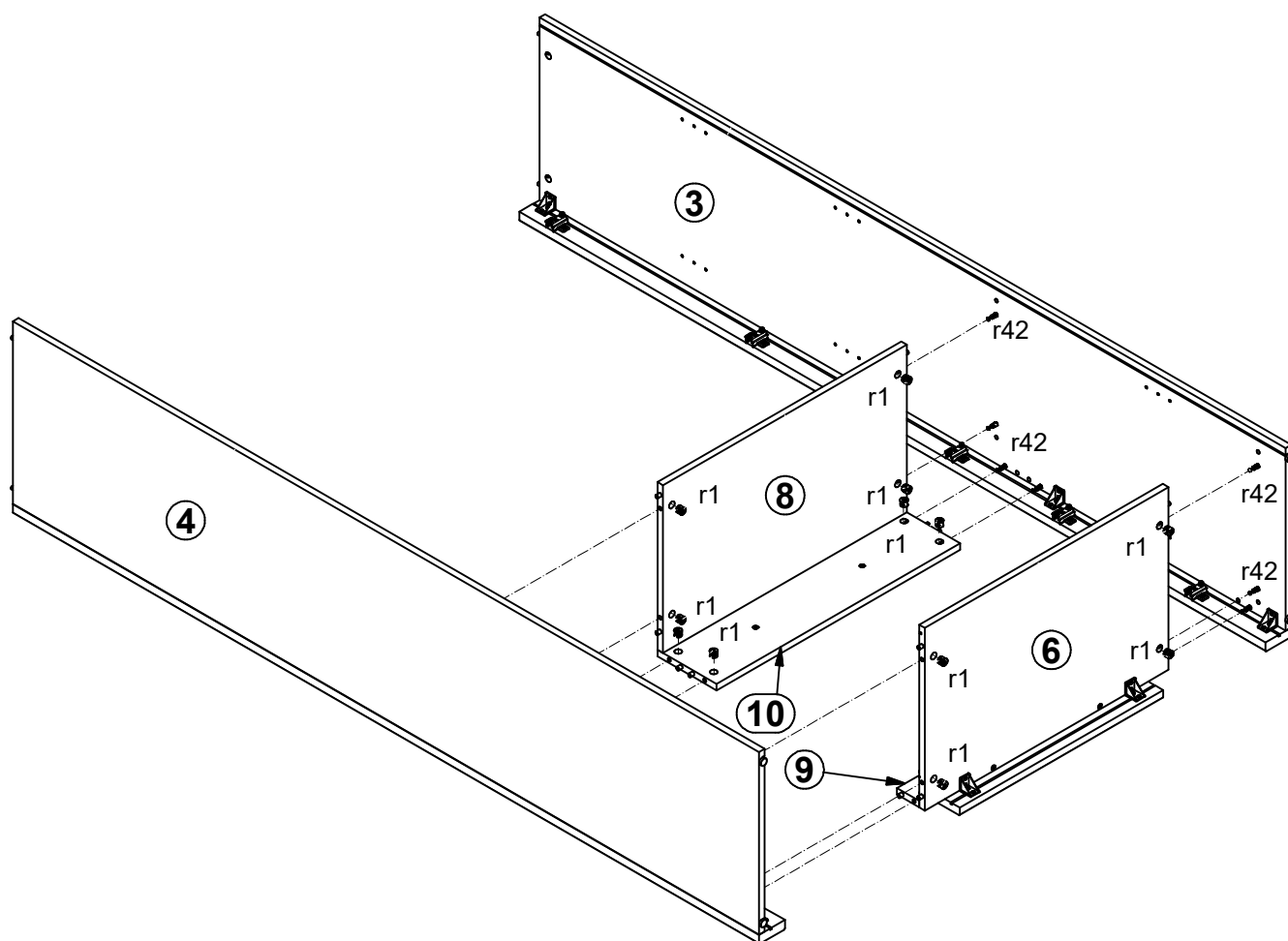


3 §6



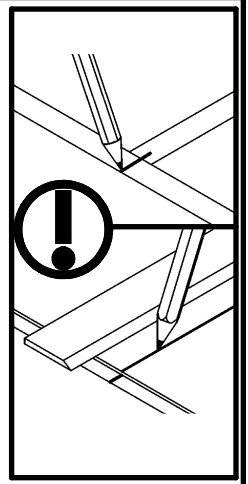
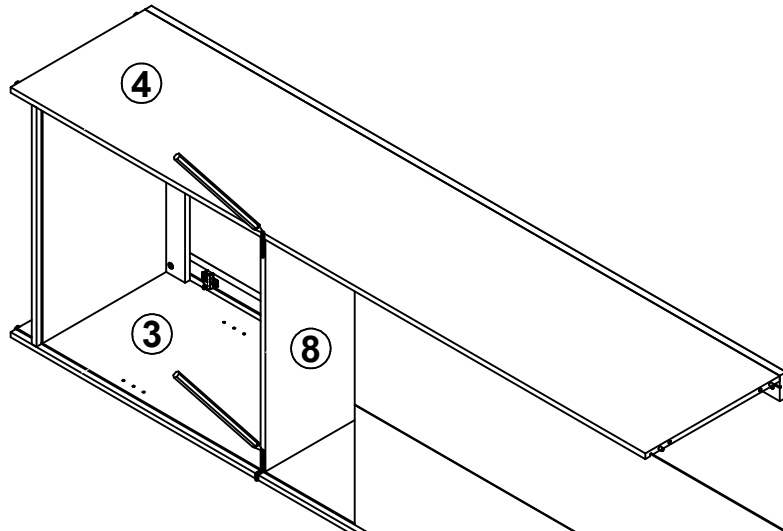


6

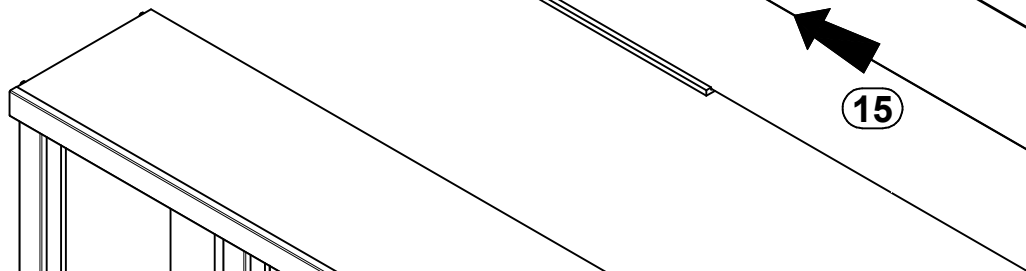


7

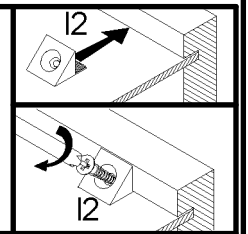
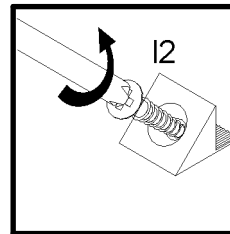
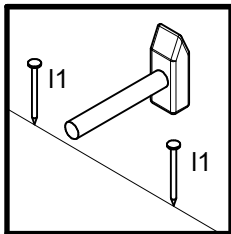
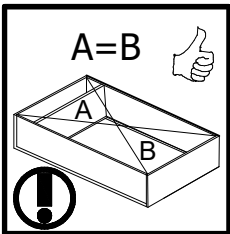
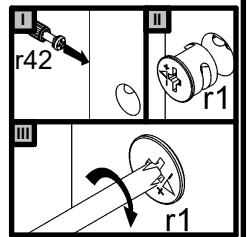
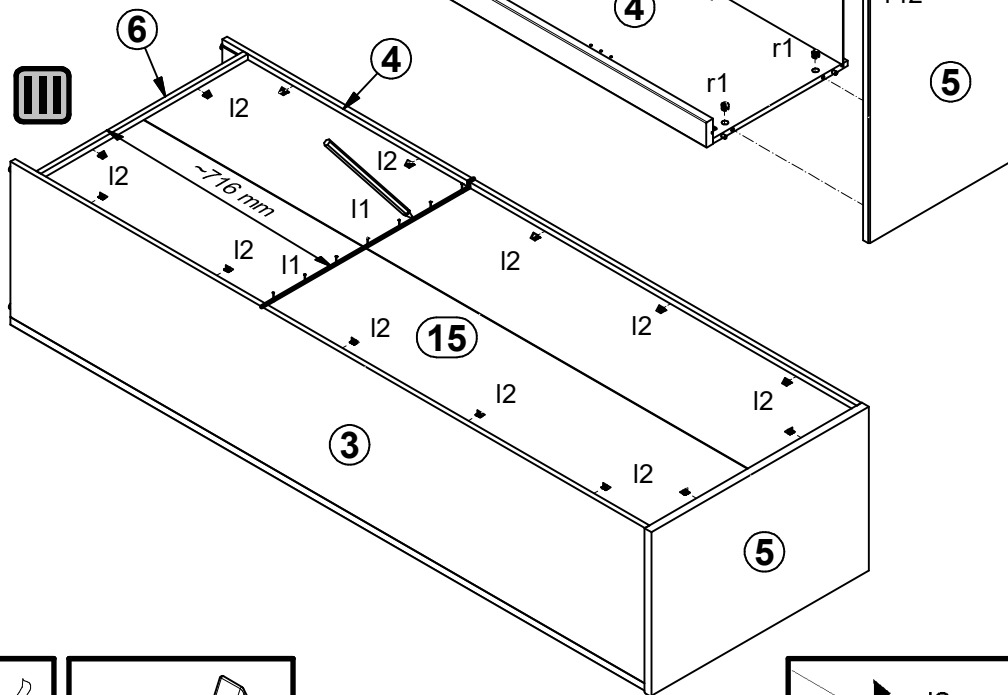
I



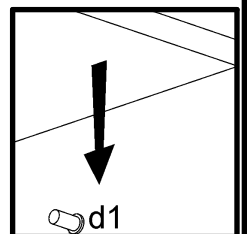
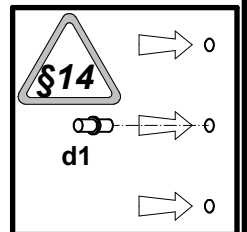
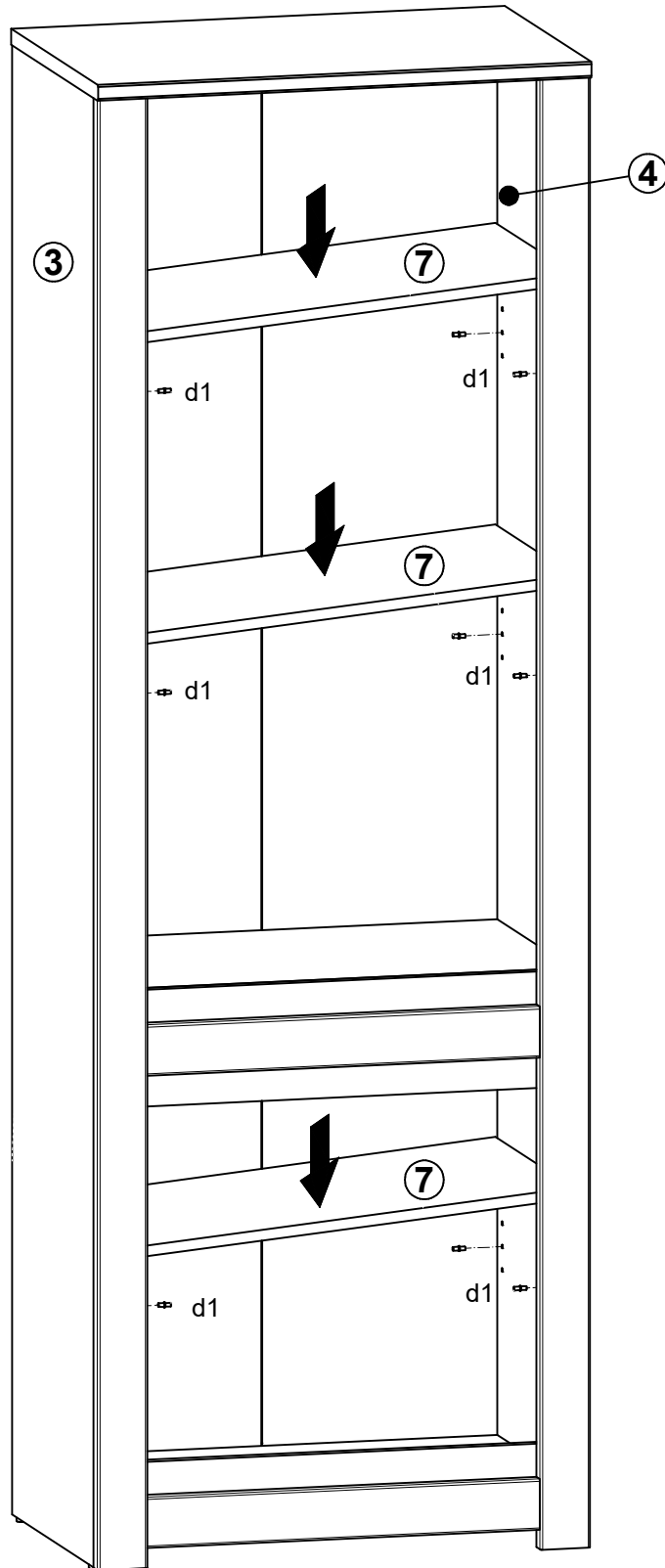
II



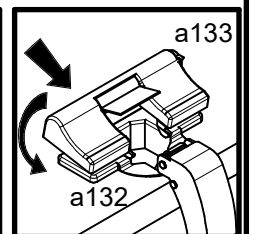
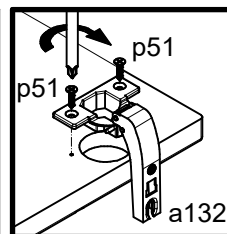
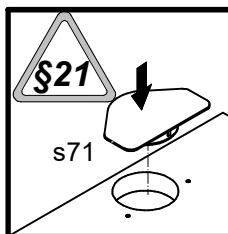
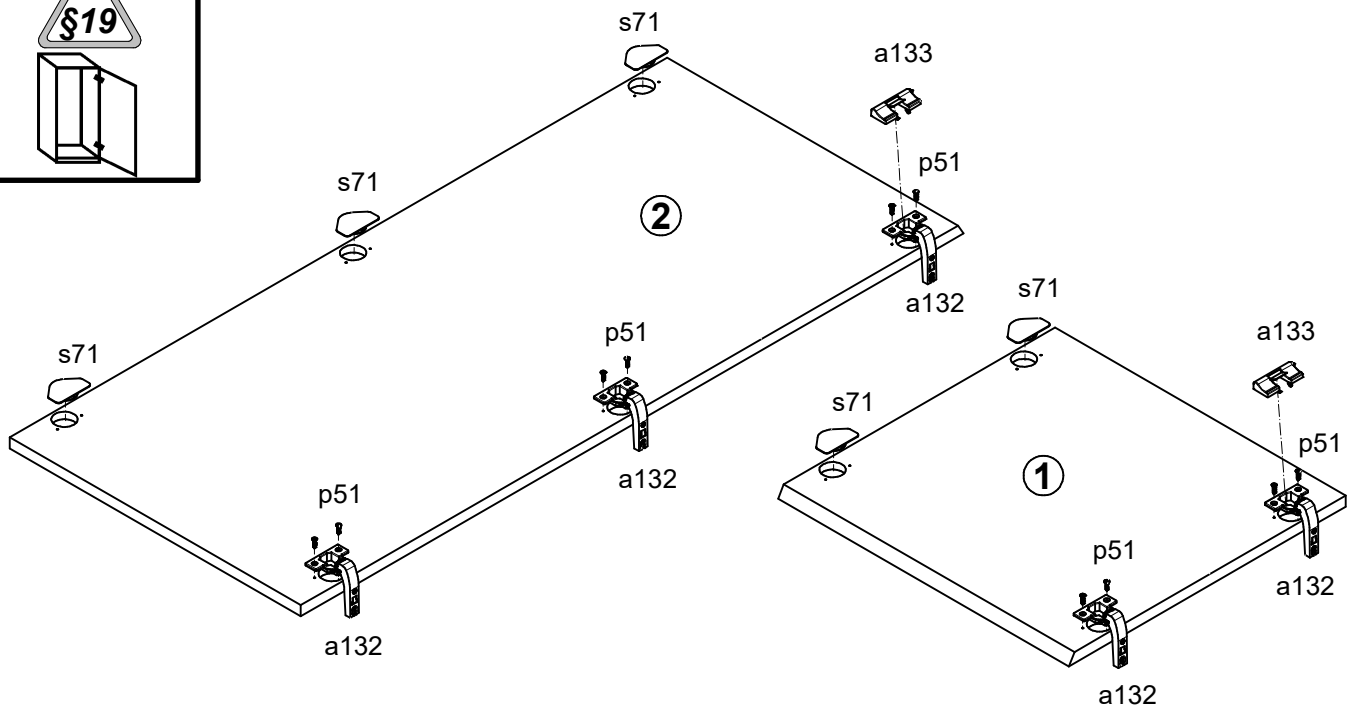
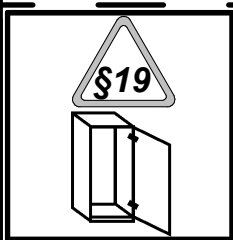
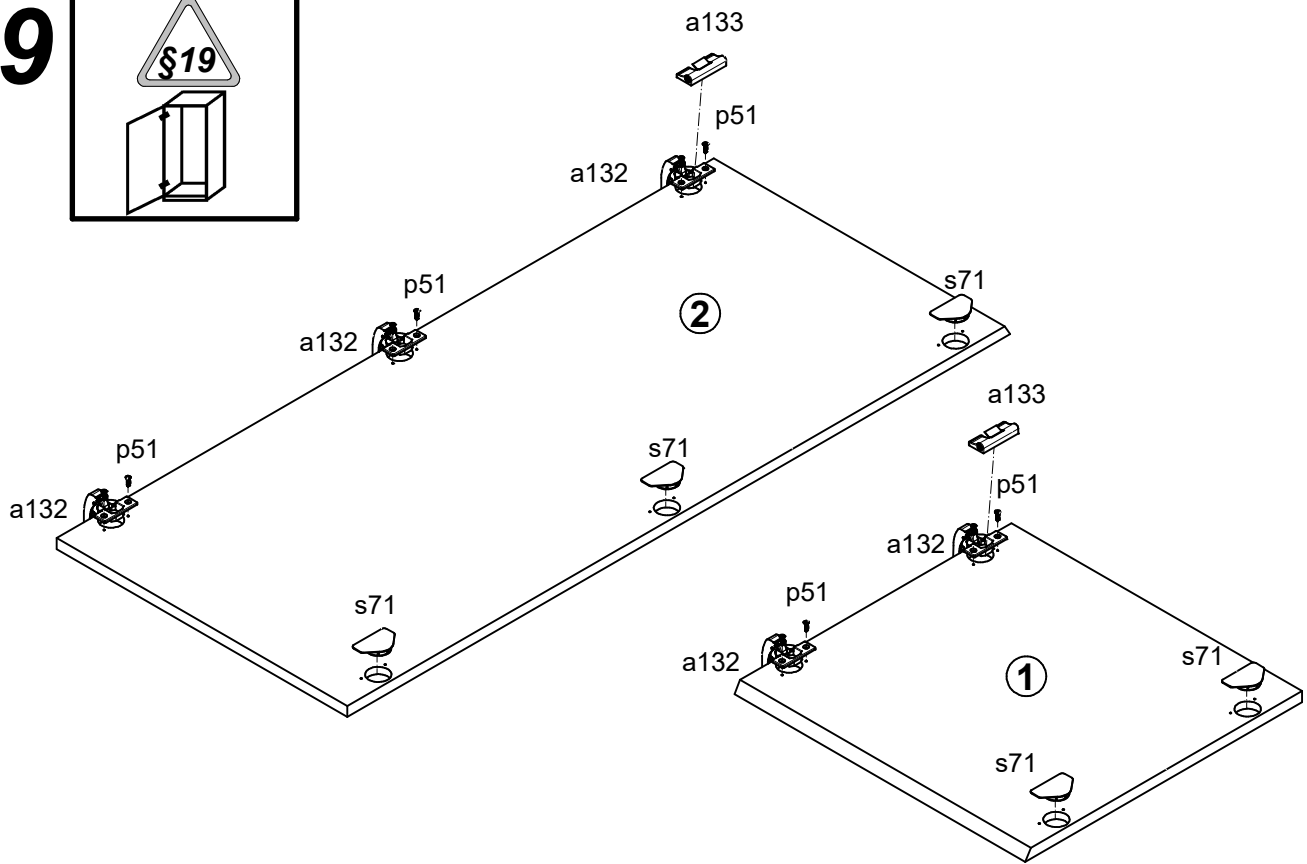
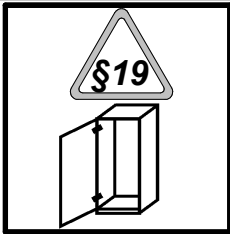
III



8



9



10

