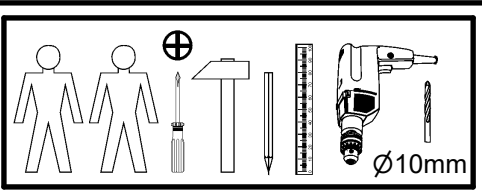
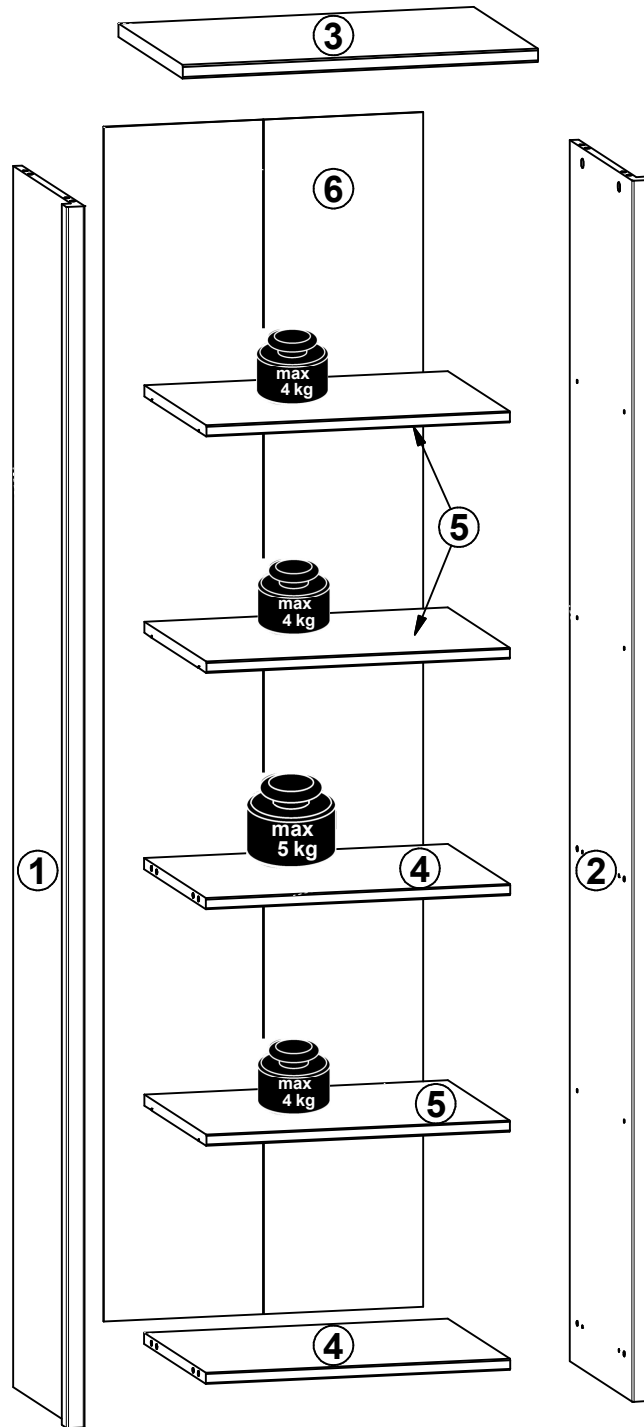
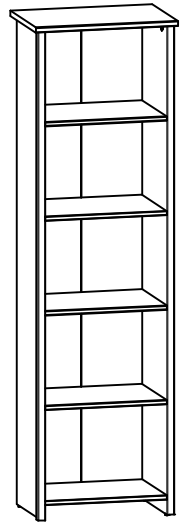


A

PORTO

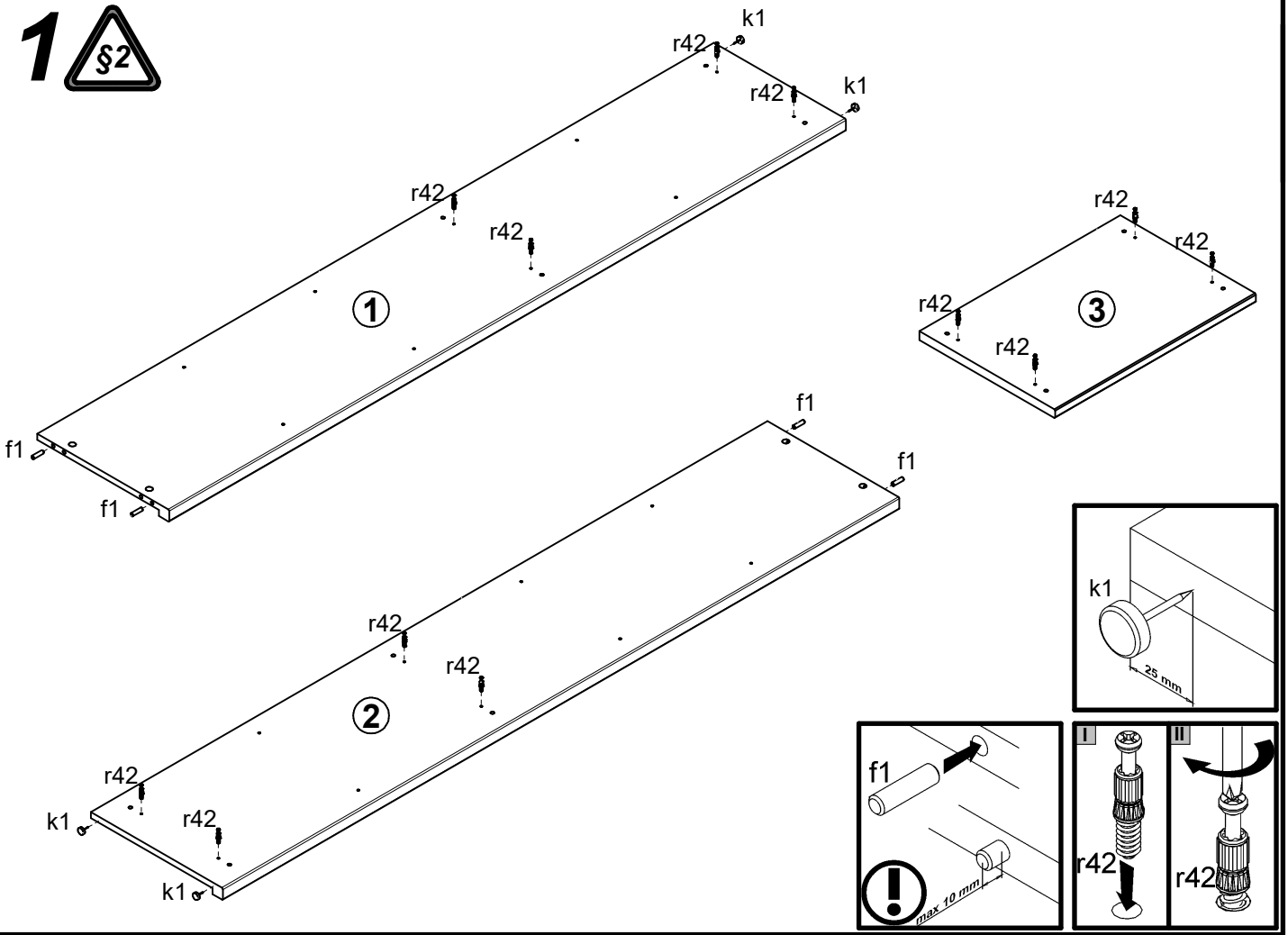
S322-REG/60

A	B	C	D
1	S322-136	1968	384
2	S322-137	1968	384
3	S322-204	584	395
4	S322-304	500	381
5	S322-320	499	381
6	S322-911	1925	525

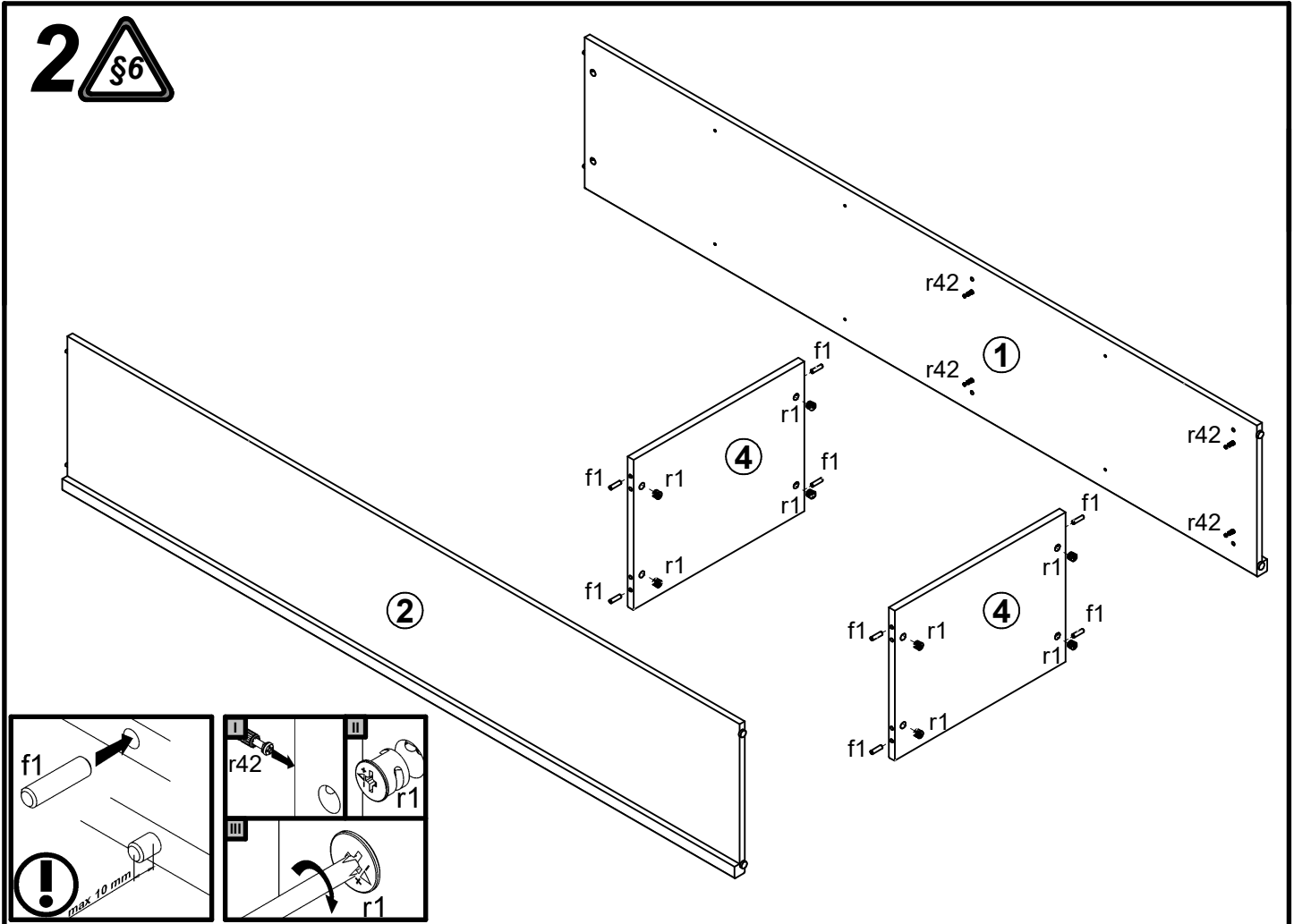


- 12x $\varnothing 5 \times 17$ mm **d1**
- 12x $\varnothing 8 \times 30$ mm **f1**
- 4x **k1**
- 50x **l1**
- 12x $\varnothing 15 \times 12$ mm #16 **r1**
- 12x $\varnothing 20 \times 11$ **r42**
- 4x $\varnothing 16$ **s2**
- 1x **n26\1**
- 1x $\varnothing 3.5 \times 16$ mm **p38**

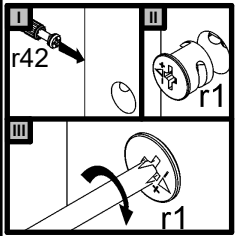
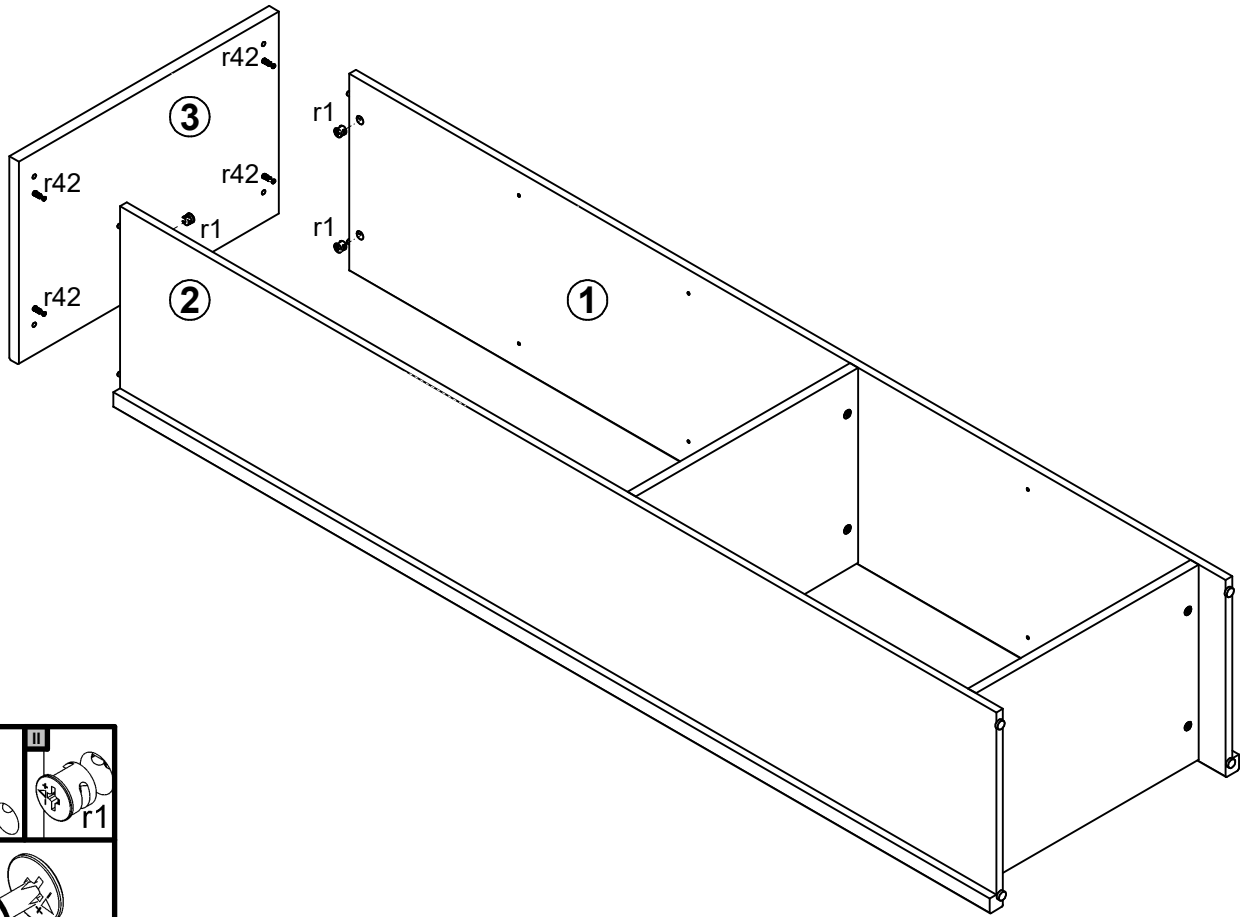
1



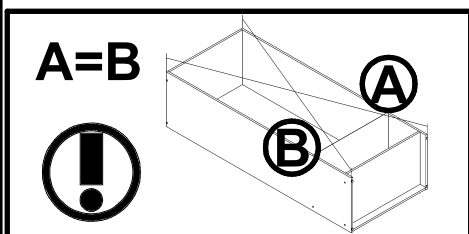
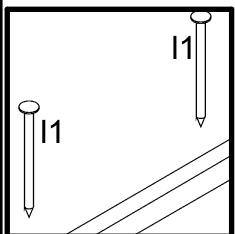
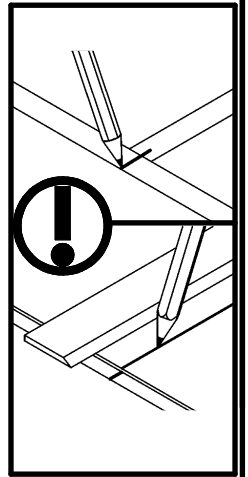
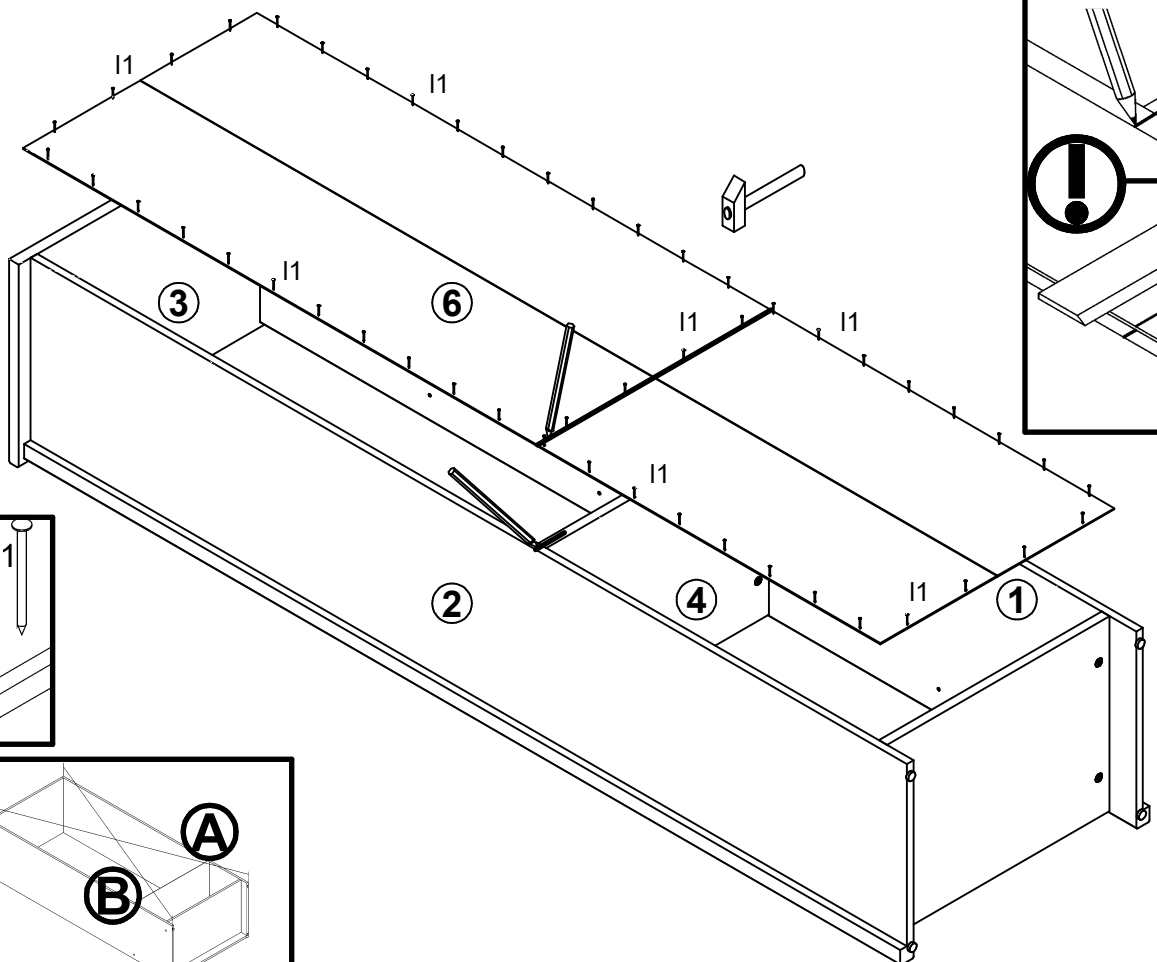
2



3



4



5

