

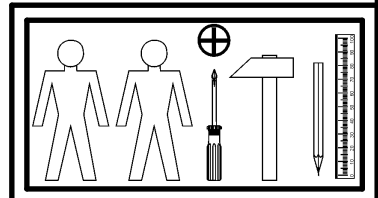
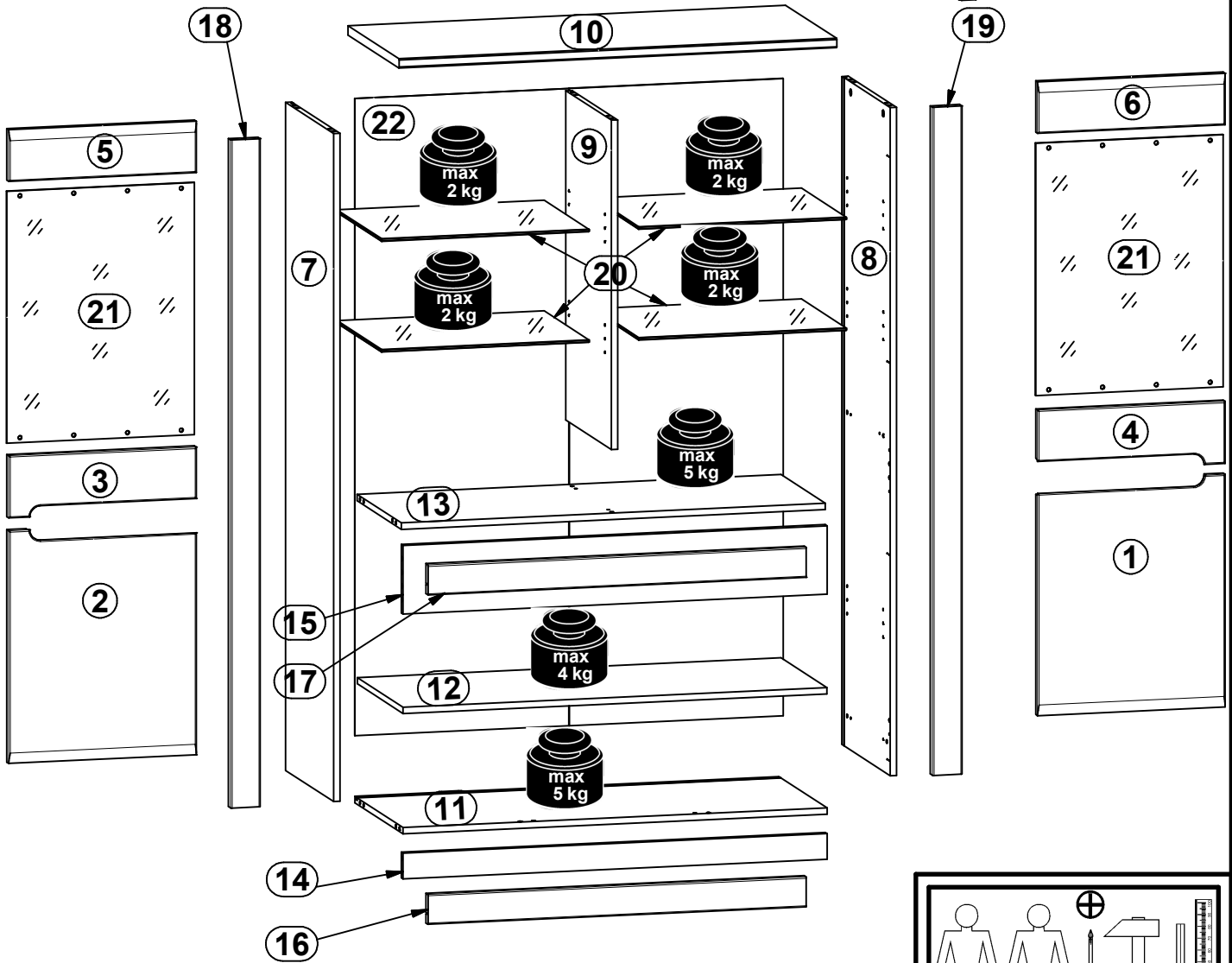
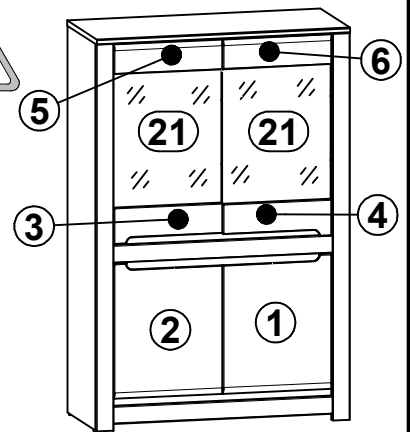
**A**

# RUSO

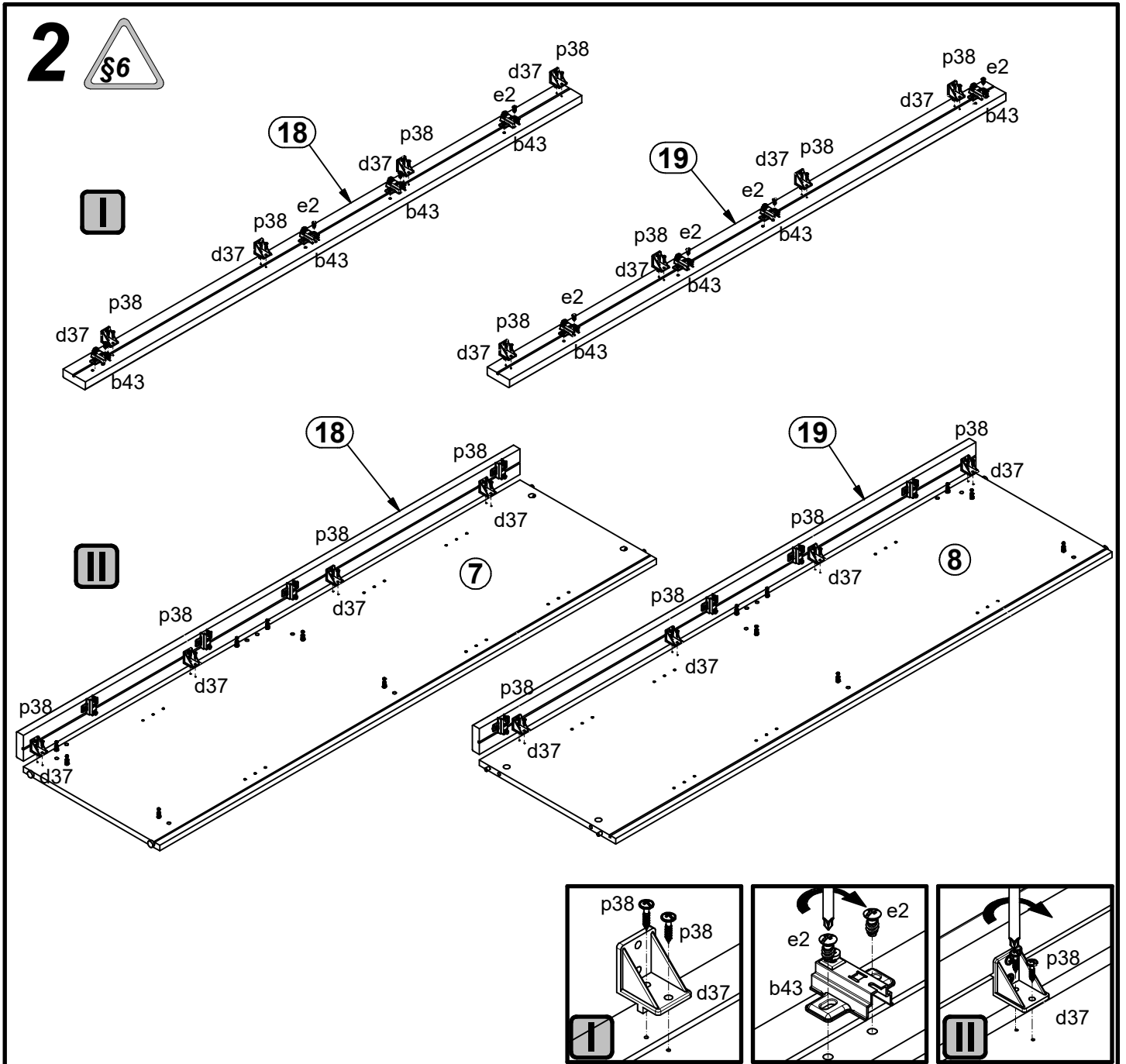
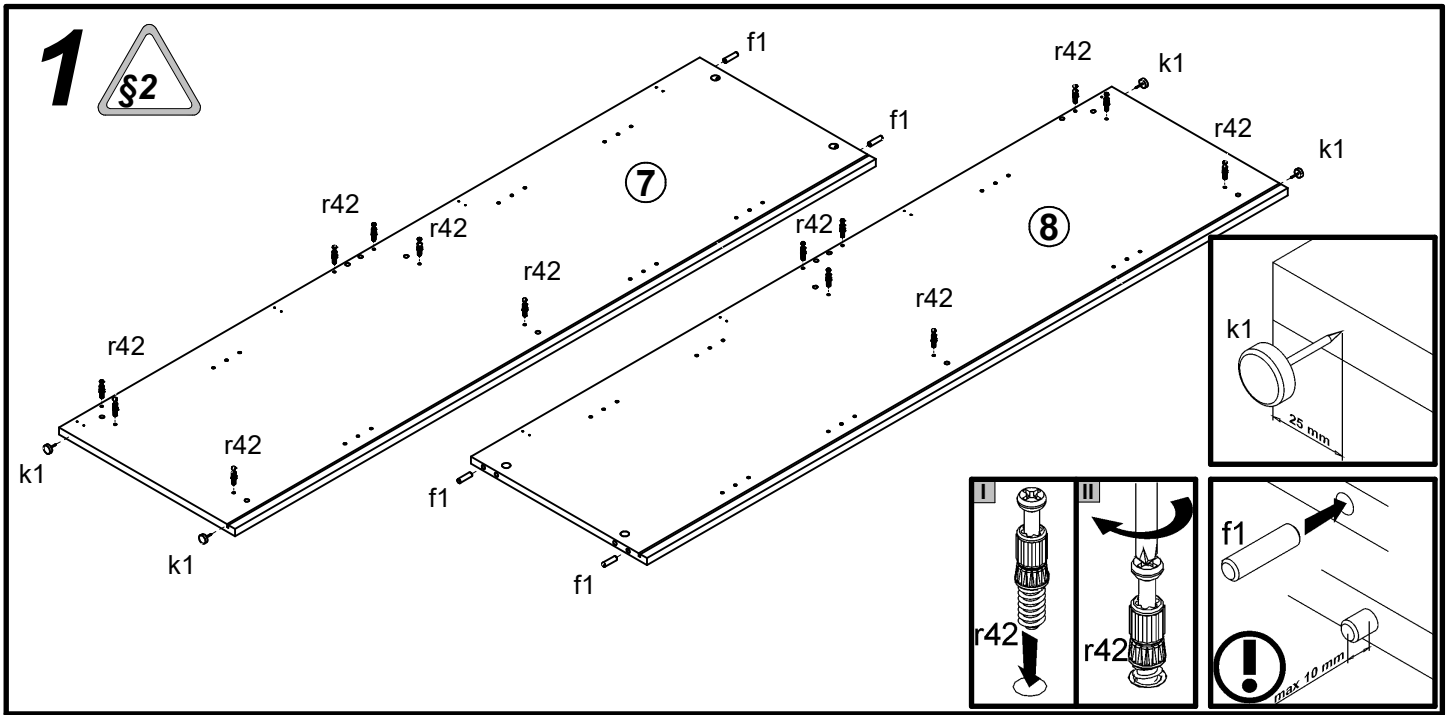
**S407-REG2W2D**

| A  | B         | C    | D   |     |
|----|-----------|------|-----|-----|
| 1  | S407-0004 | 543  | 446 | 3/3 |
| 2  | S407-0005 | 543  | 446 | 3/3 |
| 3  | S407-0012 | 446  | 145 | 3/3 |
| 4  | S407-0013 | 446  | 145 | 3/3 |
| 5  | S407-0015 | 446  | 120 | 3/3 |
| 6  | S407-0016 | 446  | 120 | 3/3 |
| 7  | S404-1029 | 1558 | 428 | 1/3 |
| 8  | S404-1030 | 1558 | 428 | 1/3 |
| 9  | S404-1031 | 768  | 402 | 1/3 |
| 10 | S404-2008 | 1041 | 454 | 2/3 |
| 11 | S404-3001 | 1009 | 428 | 2/3 |

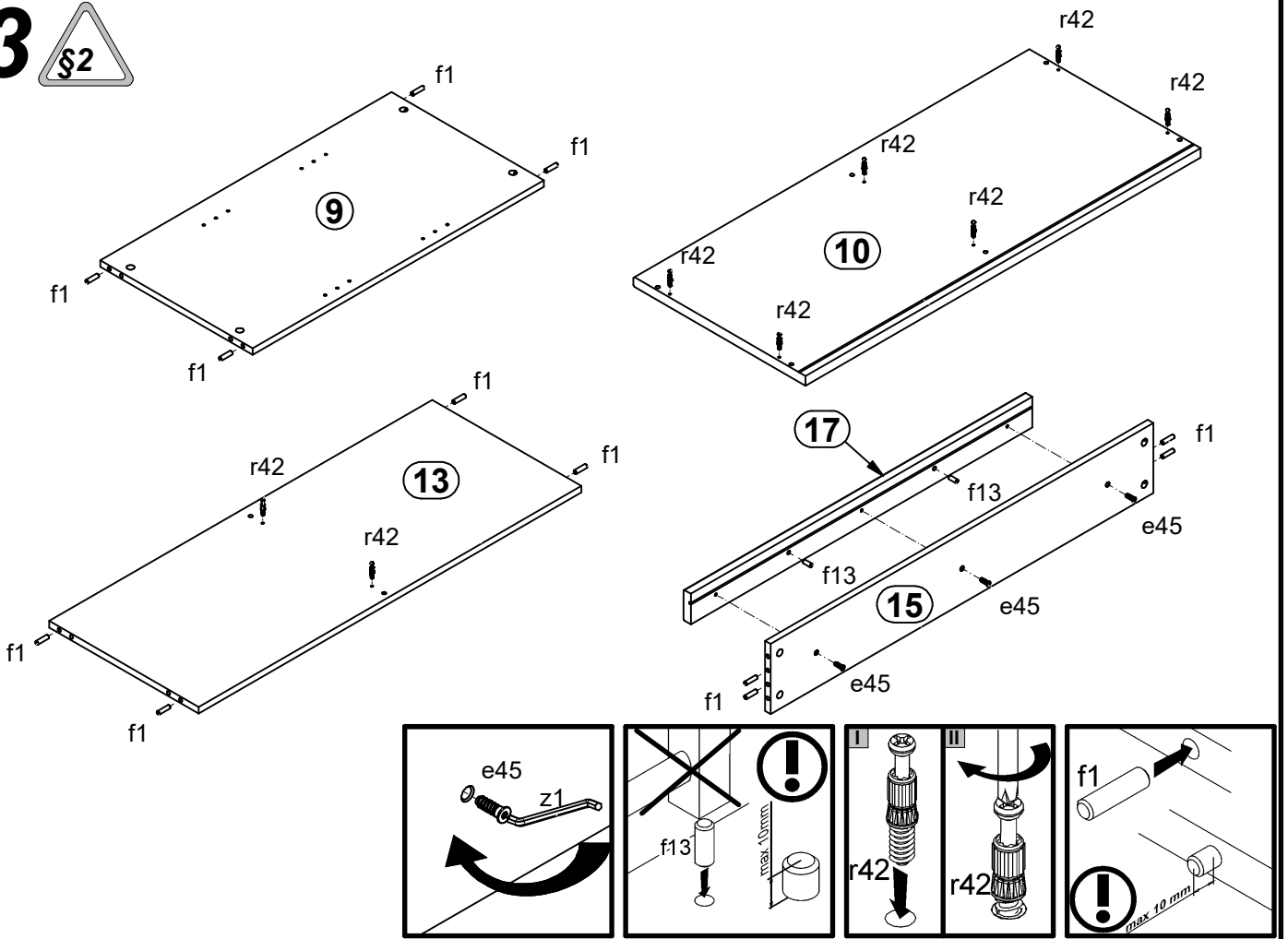
| A  | B         | C    | D    |     |
|----|-----------|------|------|-----|
| 12 | S404-3002 | 1008 | 407  | 2/3 |
| 13 | S404-3014 | 1009 | 393  | 2/3 |
| 14 | S404-4001 | 1009 | 60   | 2/3 |
| 15 | S404-4002 | 1009 | 160  | 2/3 |
| 16 | S404-5003 | 900  | 70   | 2/3 |
| 17 | S404-5004 | 900  | 70   | 2/3 |
| 18 | S404-5022 | 1558 | 70   | 1/3 |
| 19 | S404-5023 | 1558 | 70   | 1/3 |
| 20 | S404-5051 | 495  | 398  | 2/3 |
| 21 | S404-5055 | 588  | 446  | 3/3 |
| 22 | S404-9307 | 1486 | 1019 | 1/3 |



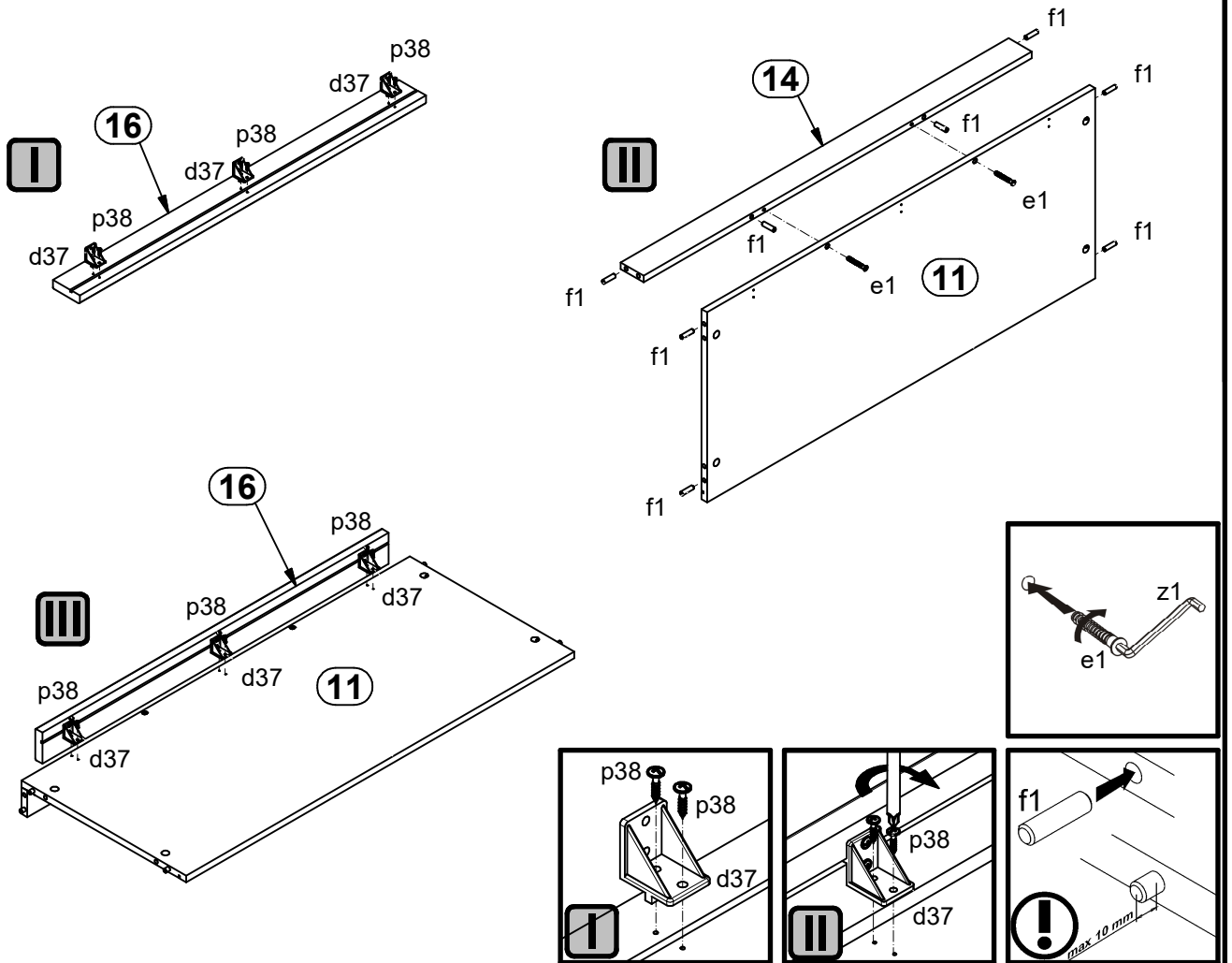
|                              |                                |                           |                           |                           |                            |                |                                    |                              |
|------------------------------|--------------------------------|---------------------------|---------------------------|---------------------------|----------------------------|----------------|------------------------------------|------------------------------|
| 8x<br><br>a132               | 4x<br><br>a133                 | 8x<br><br>b43             | 4x<br><br>Ø5x17 mm<br>d1  | 16x<br><br>Ø5x17 mm<br>d3 | 1x<br><br>d36              | 11x<br><br>d37 | 2x<br><br>Ø7x50 mm<br>e1           | 16x<br><br>Ø6,3x13 mm<br>e2  |
| 16x<br><br>Ø5x12 mm<br>e41   | 3x<br><br>Ø7x24 mm<br>e45      | 24x<br><br>Ø8x30 mm<br>f1 | 2x<br><br>Ø8x20 mm<br>f13 | 4x<br><br>k1              | 10x<br><br>1,4x20 mm<br>l1 | 10x<br><br>l2  | 16x<br><br>Ø5,3xØ6,3x4,8 mm<br>o54 | 46x<br><br>Ø3,5x16 mm<br>p38 |
| 16x<br><br>Ø3,5x15 mm<br>p51 | 22x<br><br>Ø15x12 mm #16<br>r1 | 22x<br><br>20/11<br>r42   | 8x<br><br>Ø16<br>s2       | 1x<br><br>4 mm<br>z1      |                            |                | 1x<br><br>n26/1                    | 1x<br><br>Ø3,5x16 mm<br>p38  |



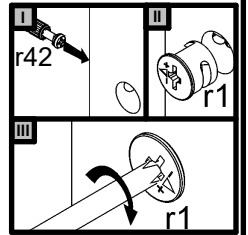
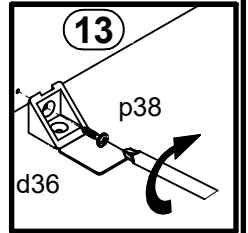
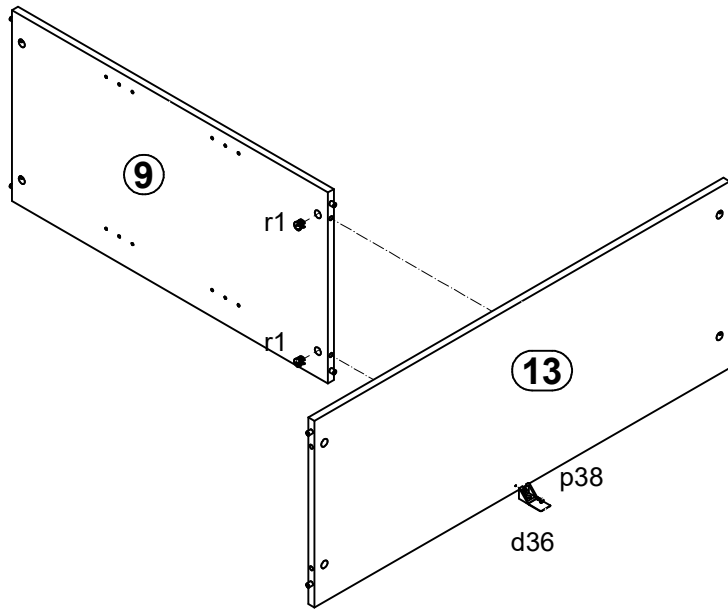
# 3



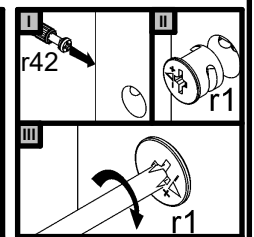
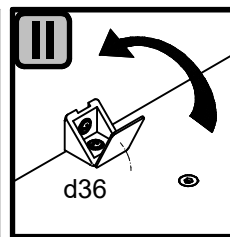
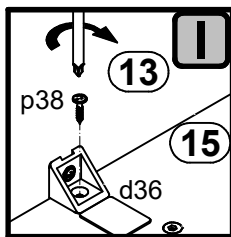
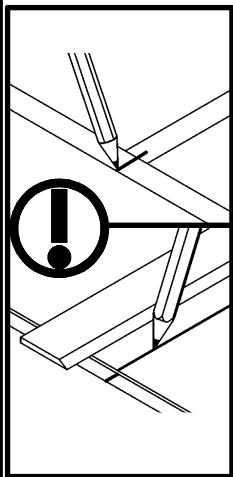
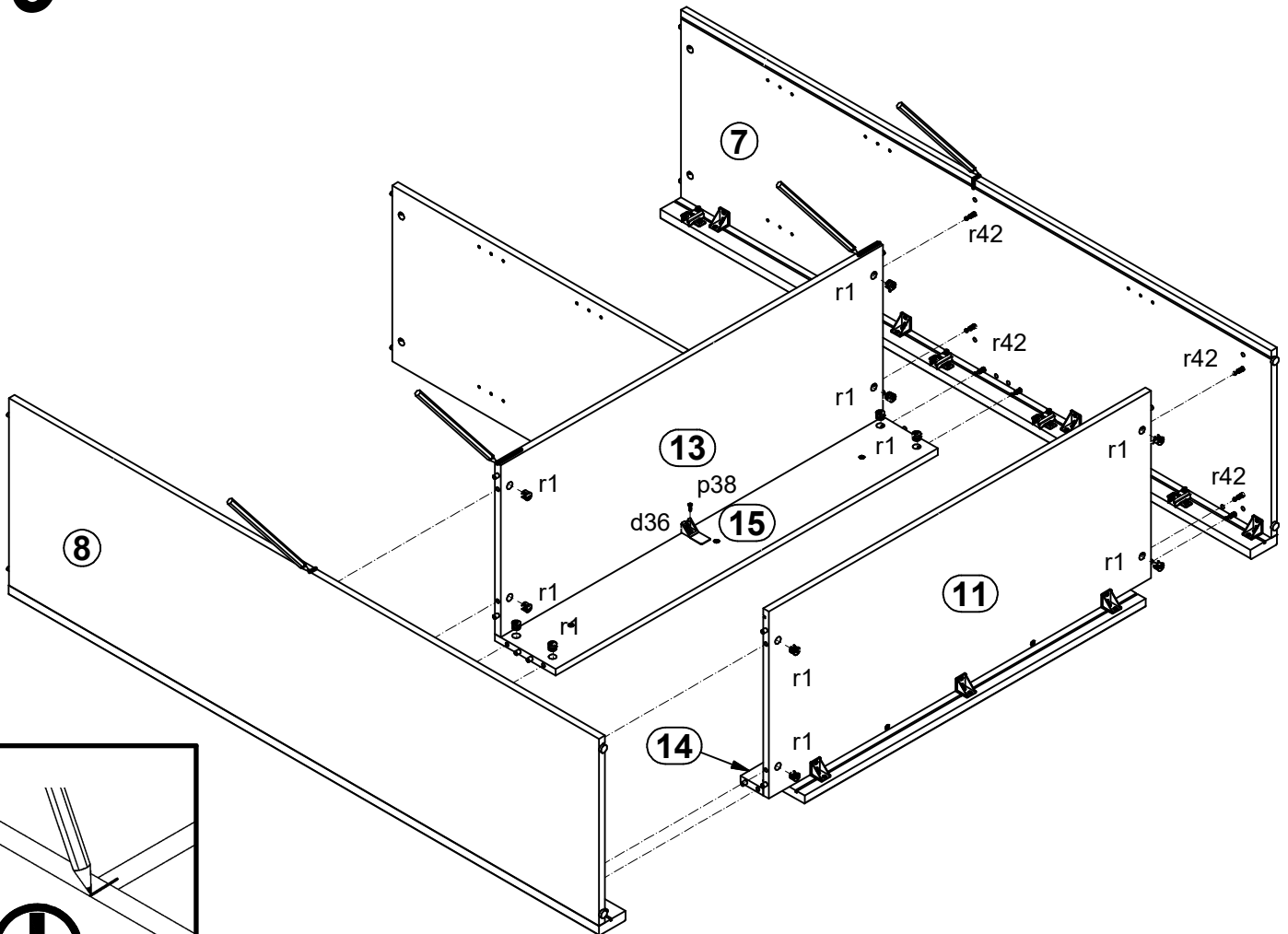
# 4



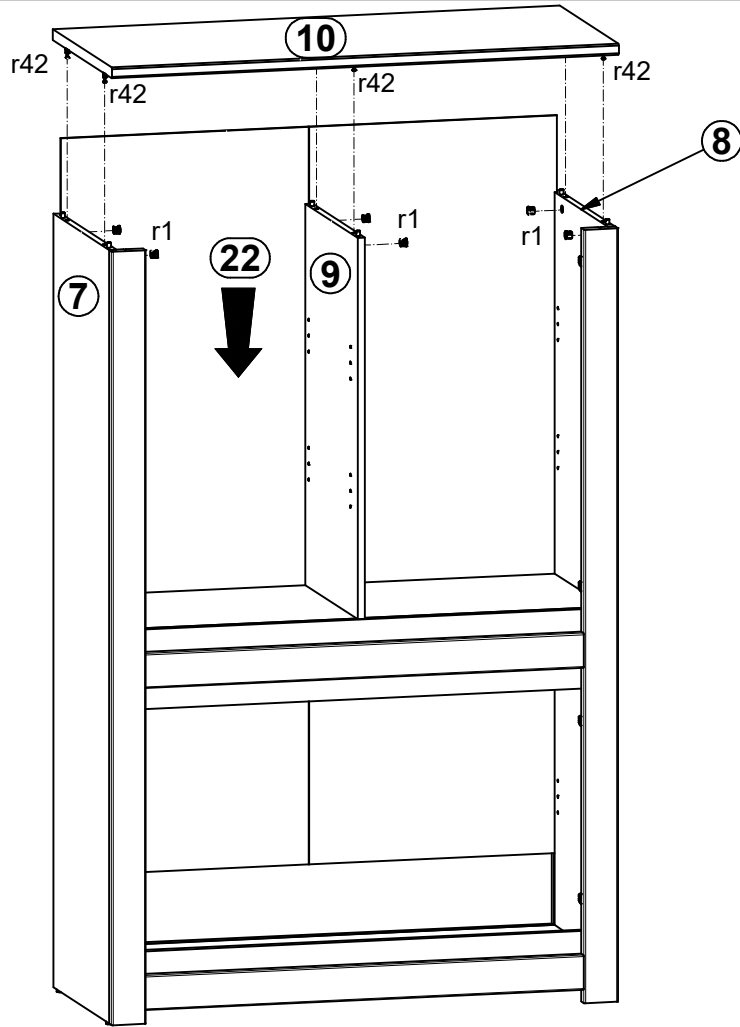
# 5



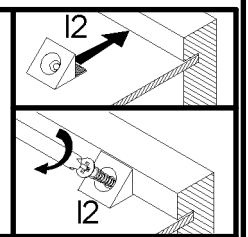
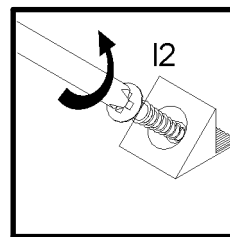
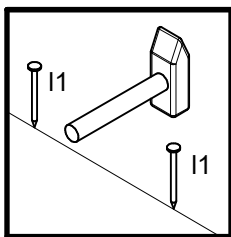
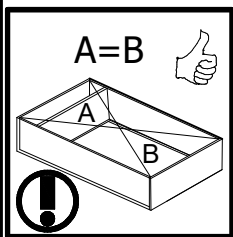
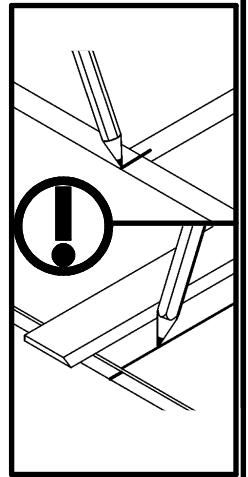
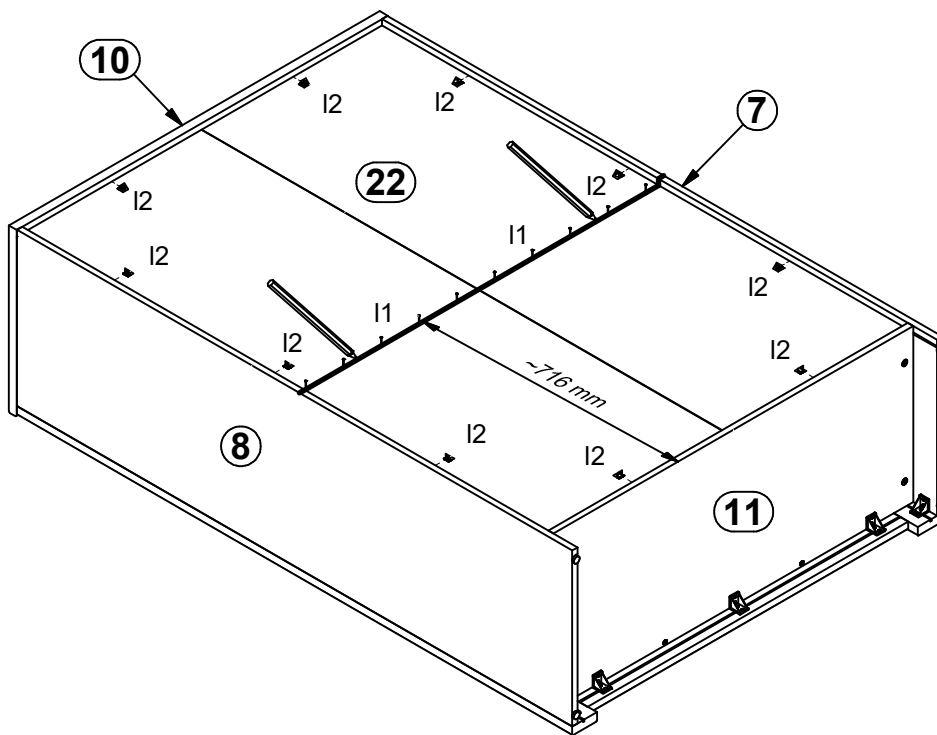
# 6



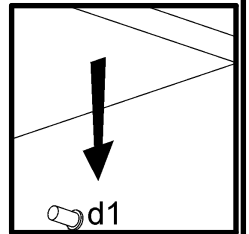
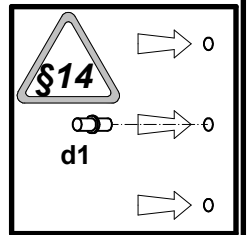
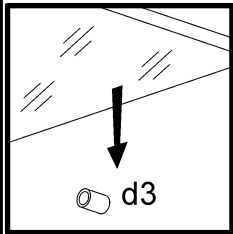
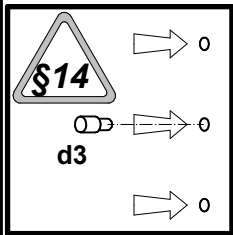
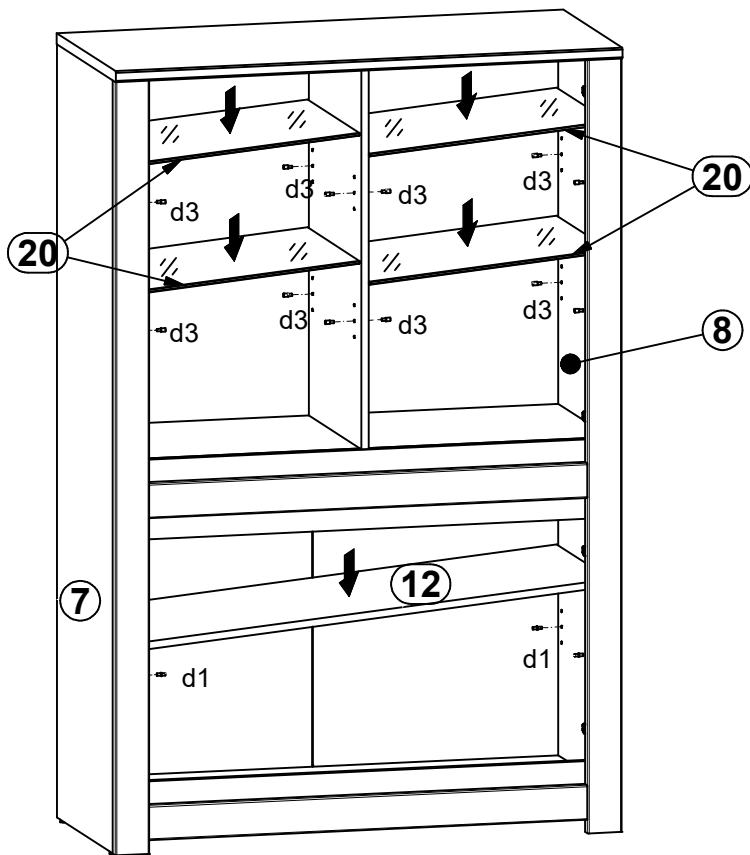
# 7



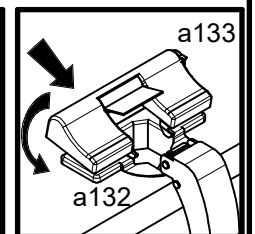
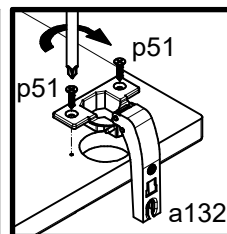
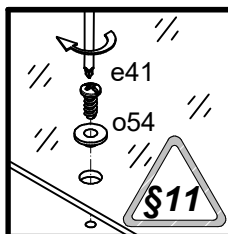
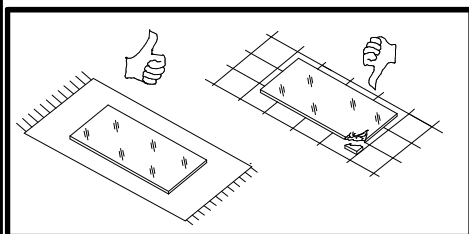
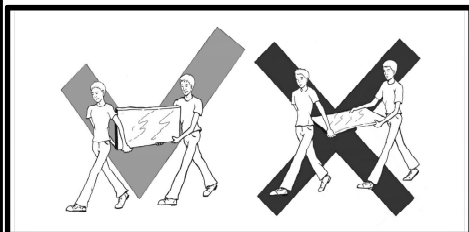
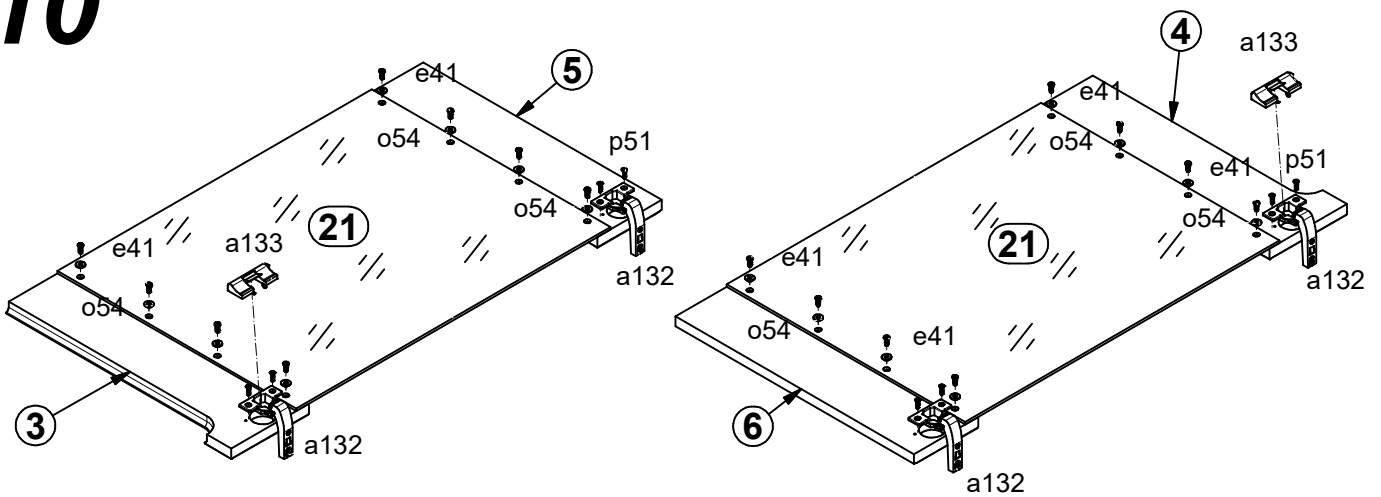
# 8



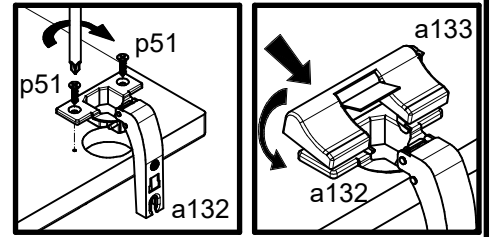
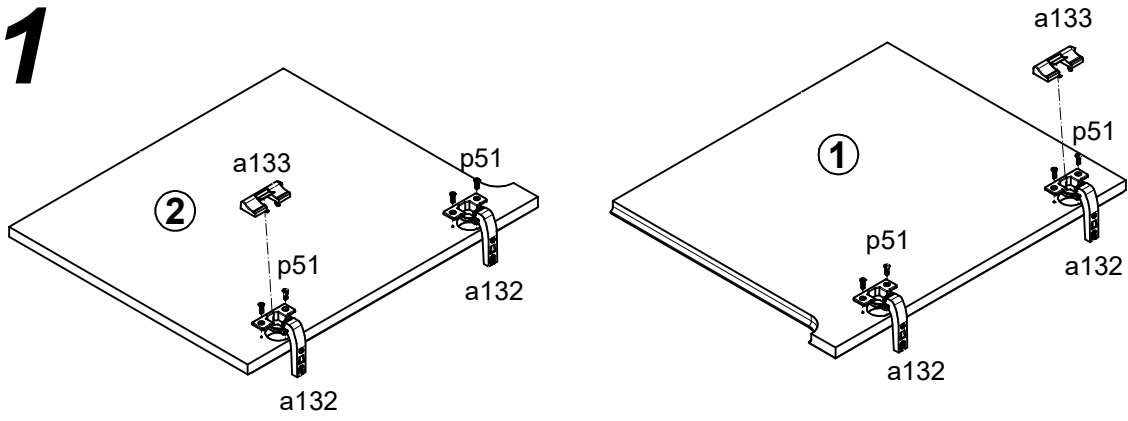
# 9



# 10



# 11



# 12

