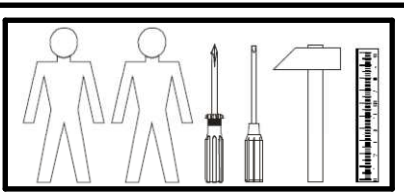
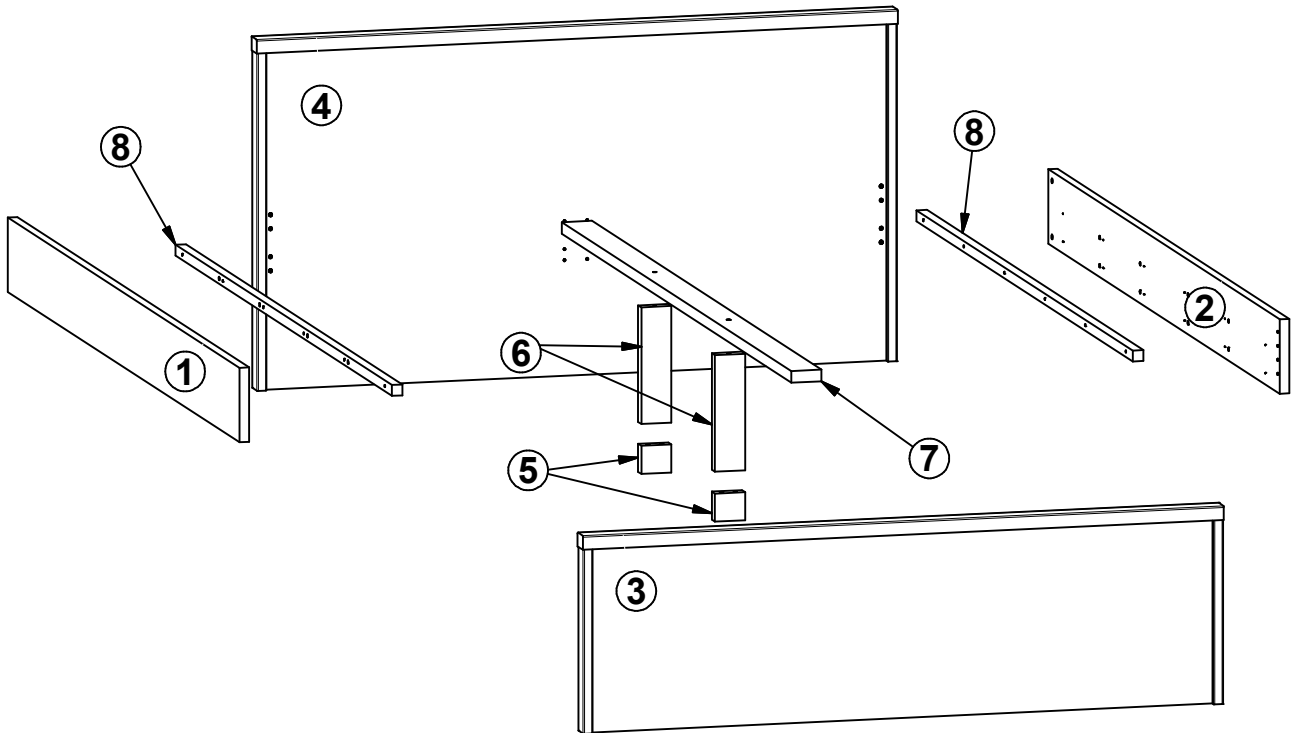
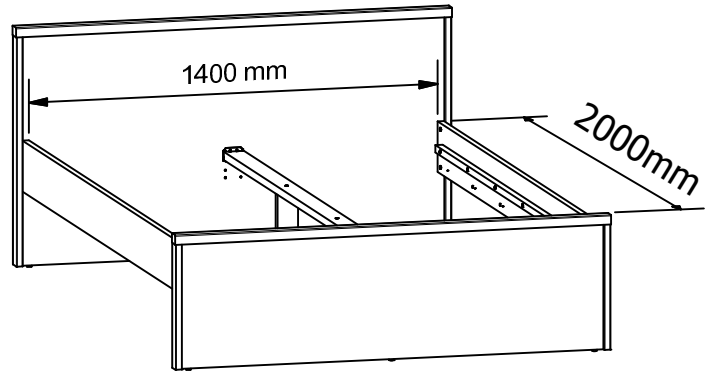
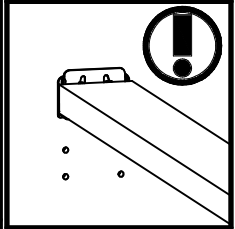
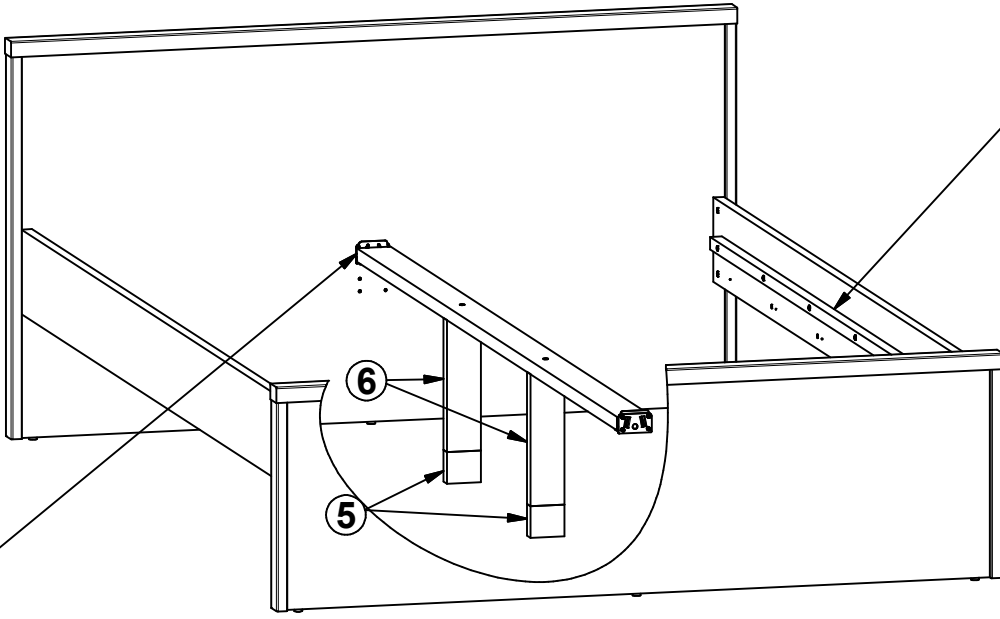
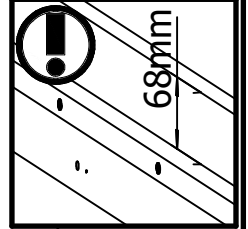


| A | B | C | D |
|---|----------|------|-----|
| 1 | L87-4009 | 2012 | 170 |
| 2 | L87-4010 | 2012 | 170 |
| 3 | L87-4014 | 1492 | 452 |
| 4 | L87-4015 | 1492 | 802 |
| 5 | ZZ1-431 | 64 | 70 |
| 6 | ZZ1-458 | 266 | 70 |
| 7 | ZZ1-718 | 1995 | 70 |
| 8 | ZZ1-747 | 1880 | 25 |

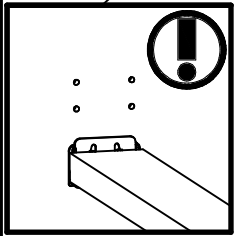
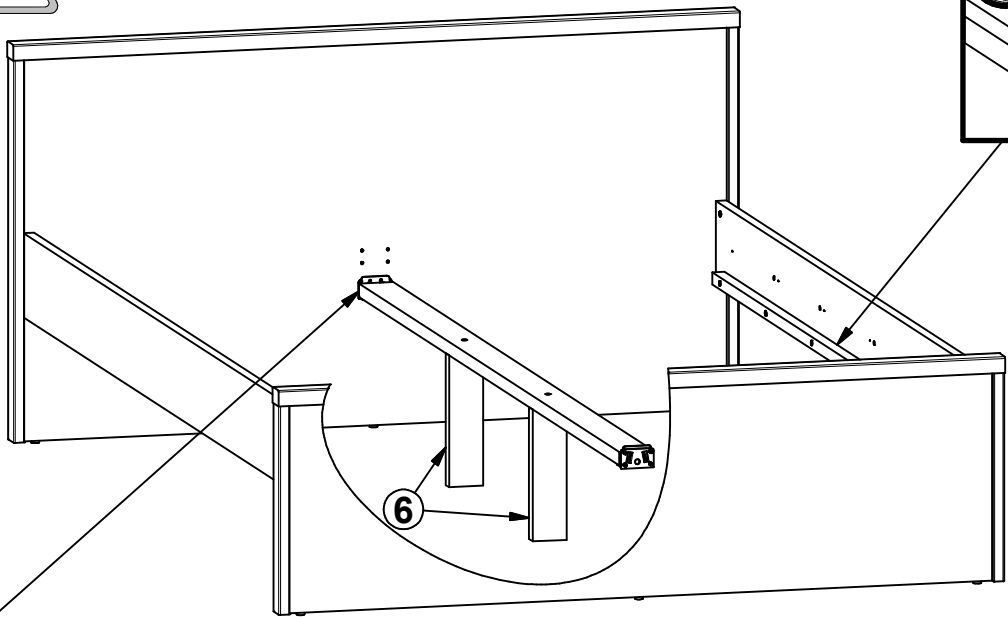
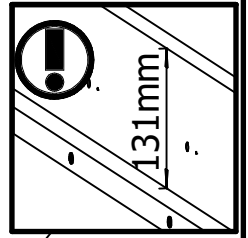


| | | | | | | | | |
|-----------------------------|----------------------|------------------------|-------------------------|------------------------|------------------------|----------|-------------|-------------|
| 16x Ø6.3x13 mm e2 | 8x Ø6x13 mm e3 | 2x Ø7x60 mm e8 | 12x Ø8x30 mm f1 | 4x Ø8x50 mm f6 | 4x M6x65 mm j132 | 6x k1 | 2x n3411 | 2x n3412 |
| 2x 130x34x34/2 mm n63 | 6x Ø4x35 mm p6 | 12x Ø4x40 mm p10 | 6x Ø3.5x25 mm p16 | 4x Ø10x16 mm r43 | 1x 4 mm z1 | | | |

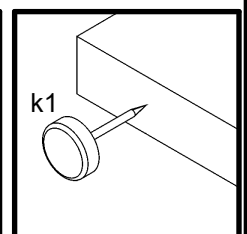
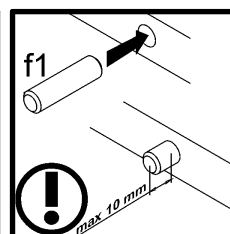
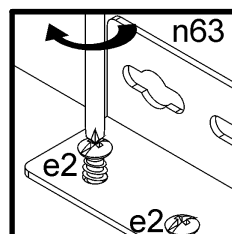
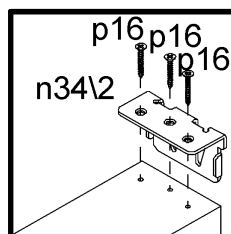
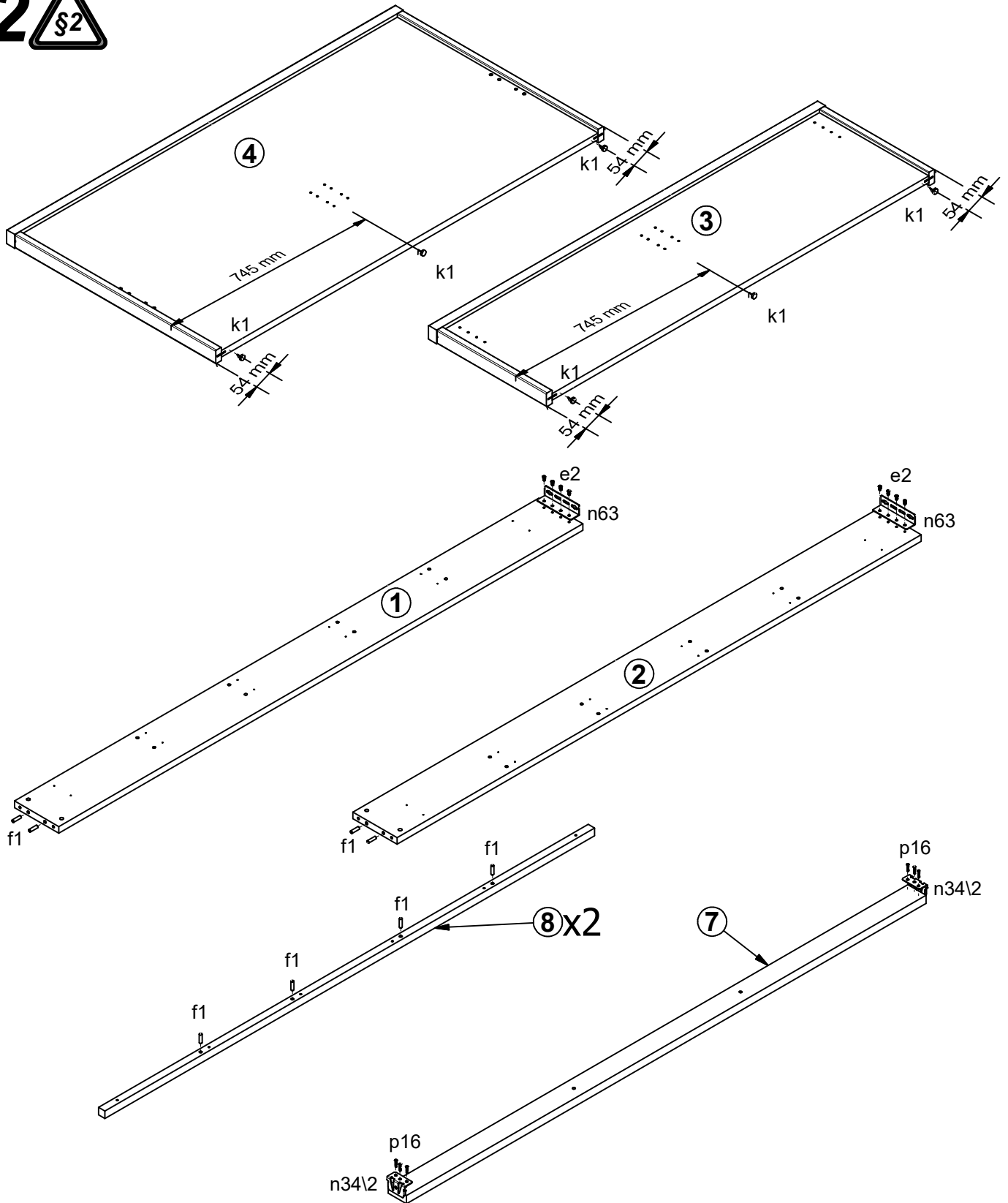
1 A



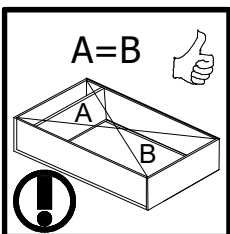
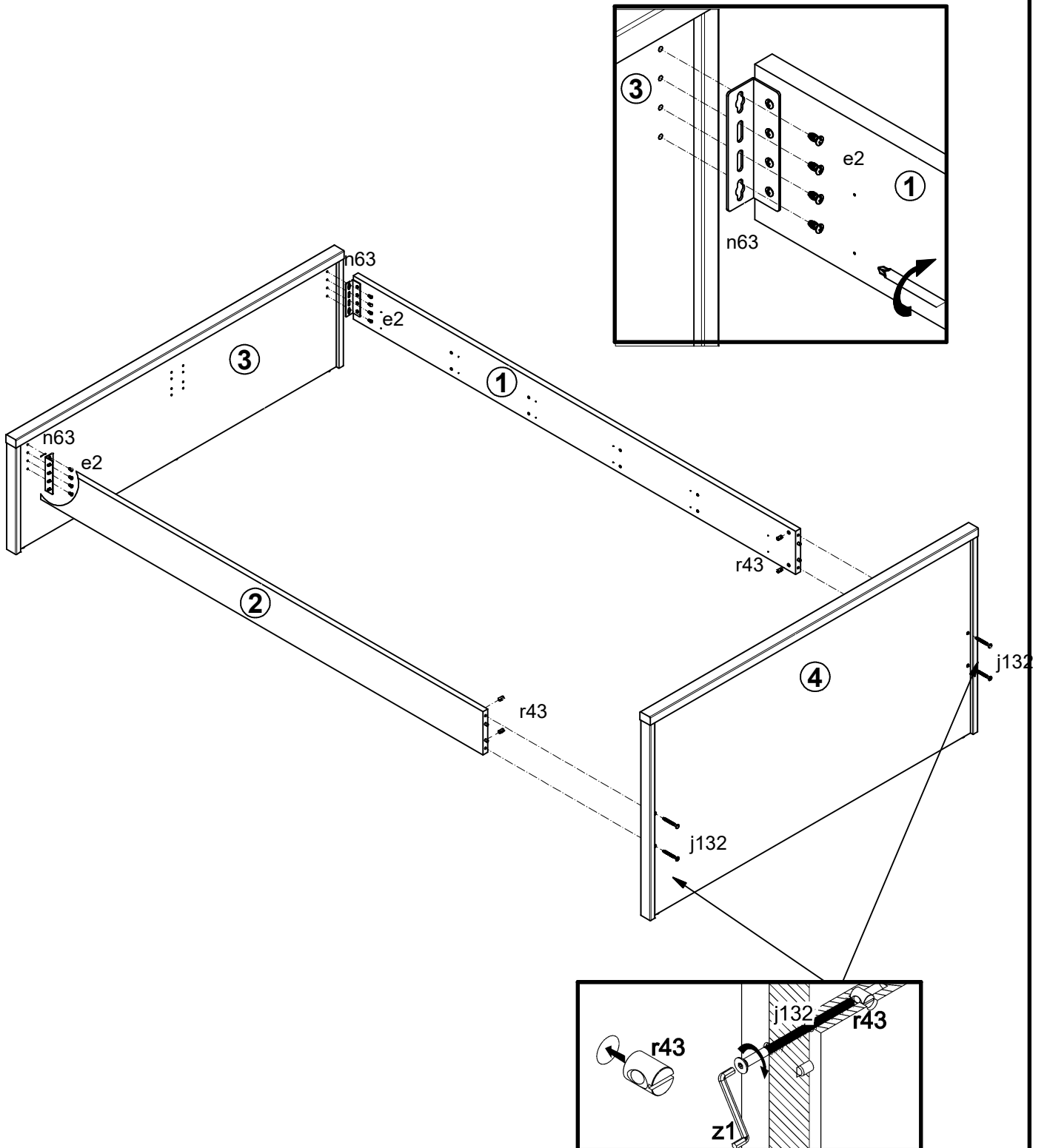
1 B



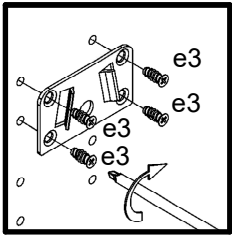
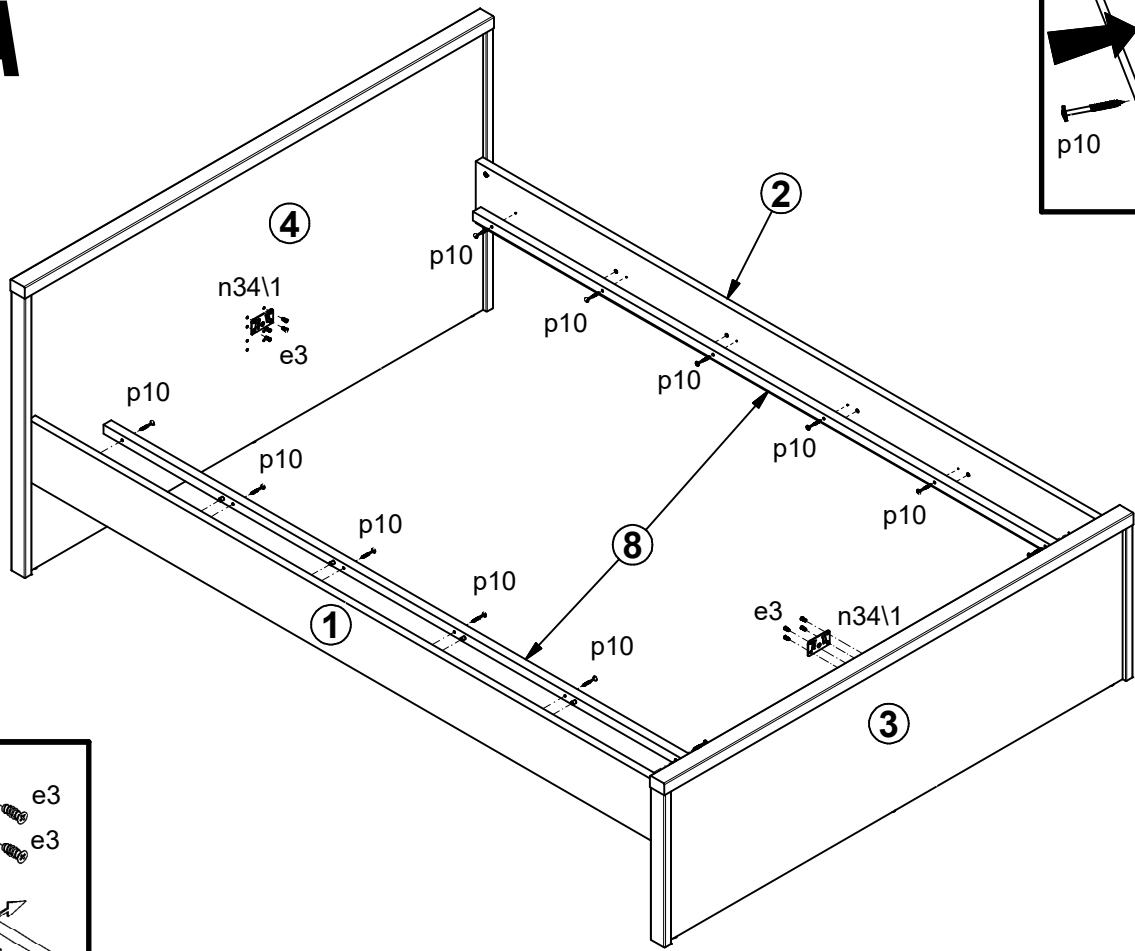
2



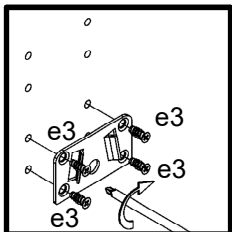
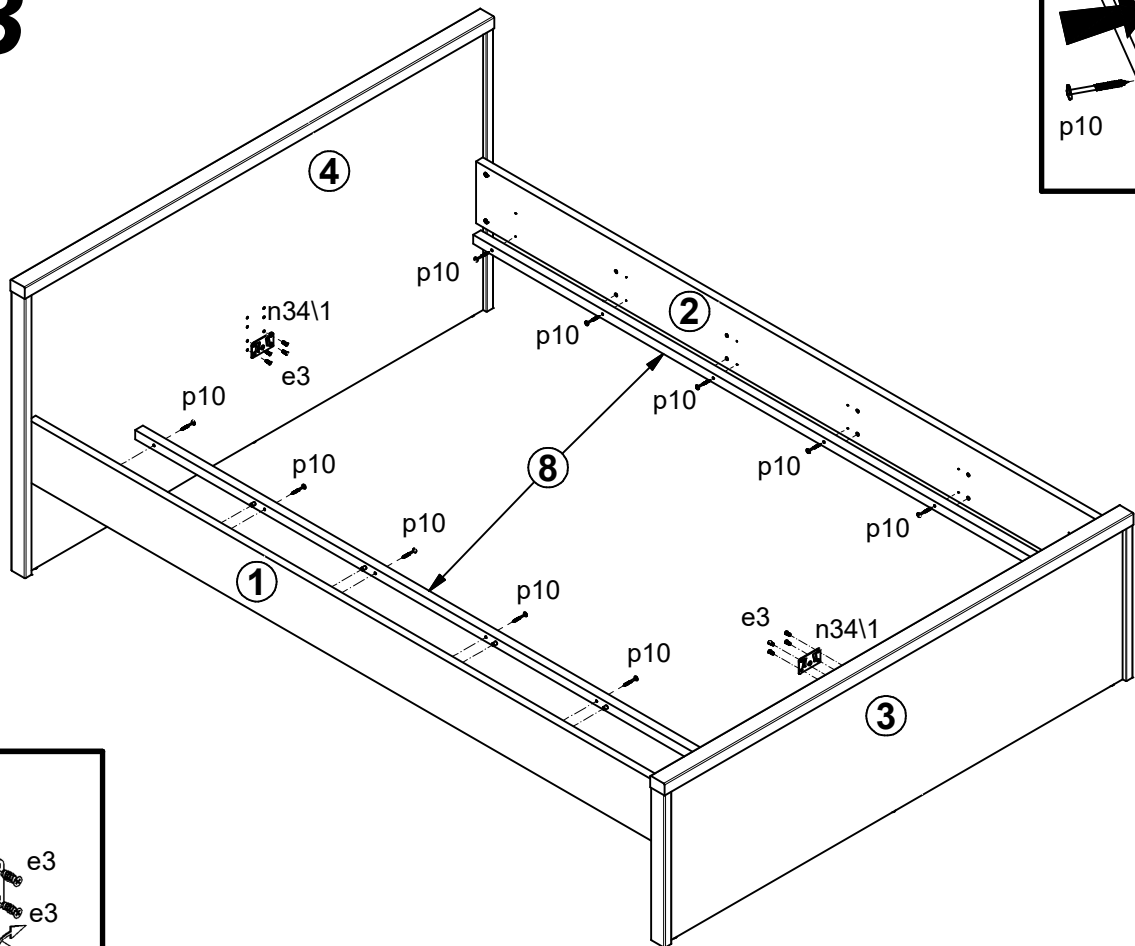
3  



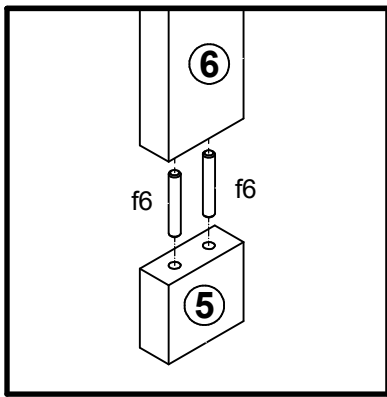
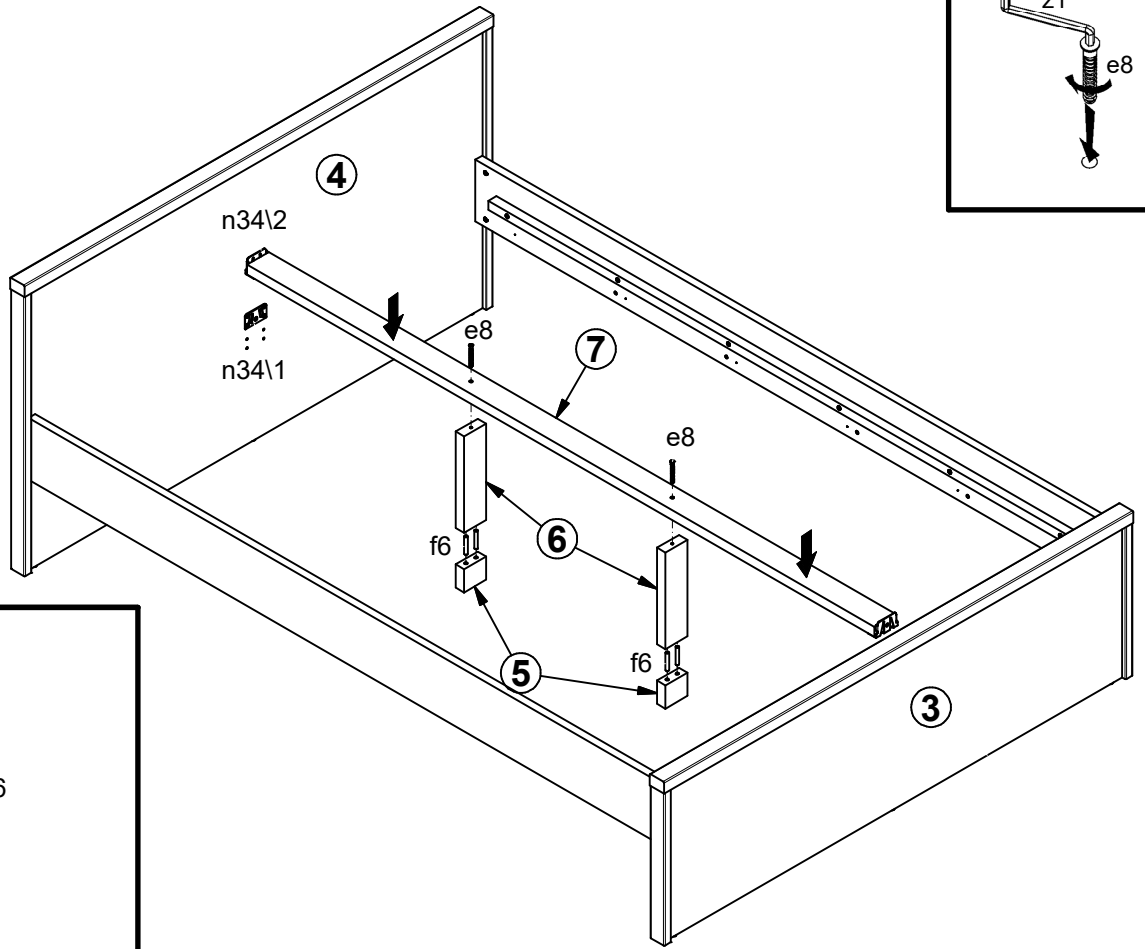
4 A



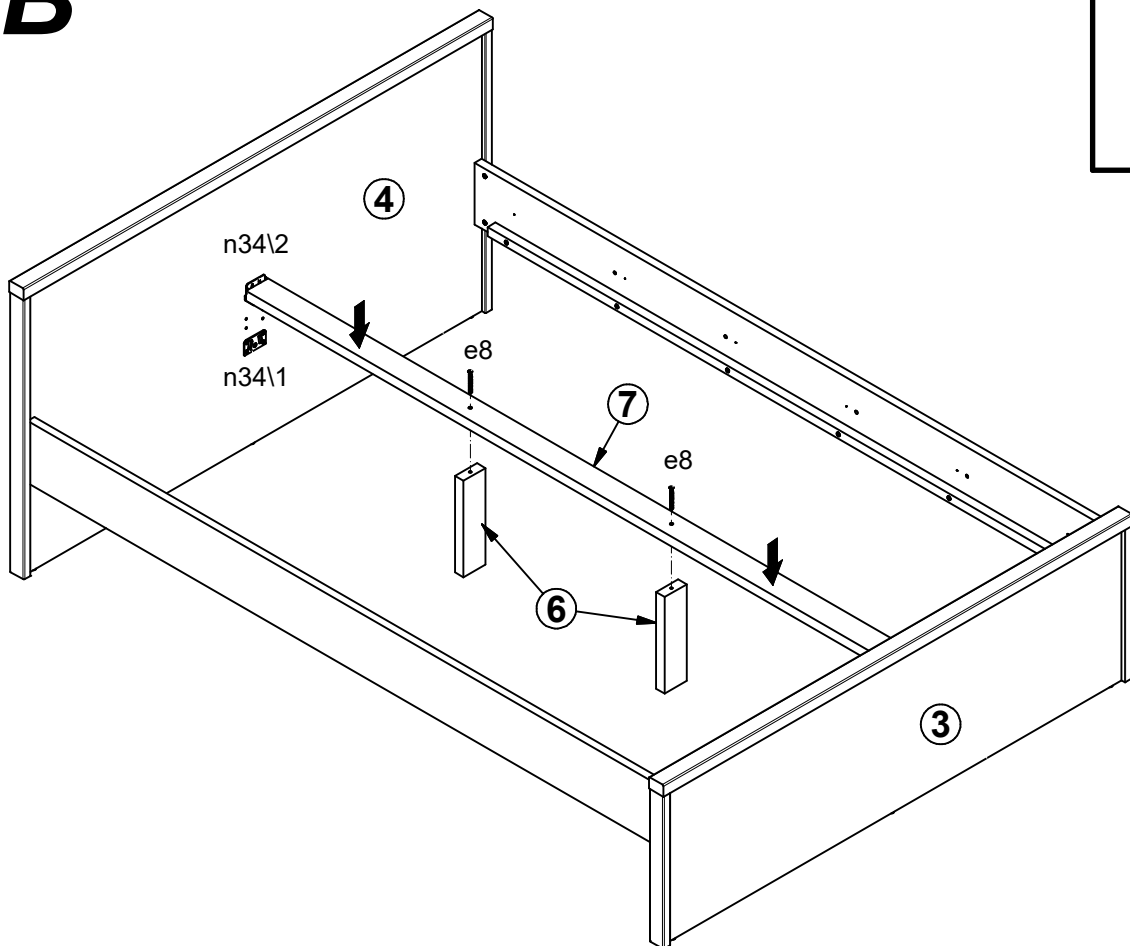
4 B



5 A



5 B



6

