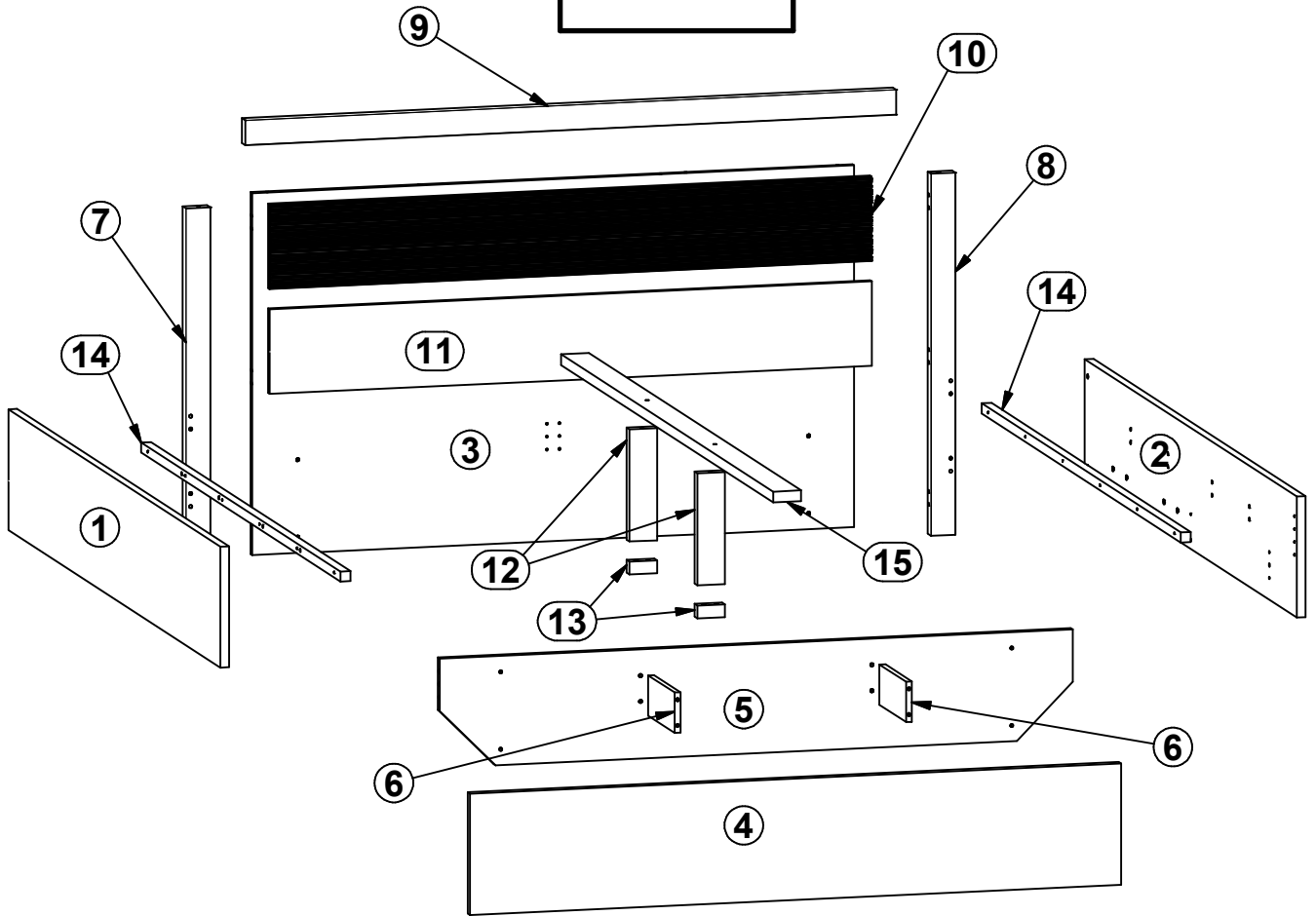
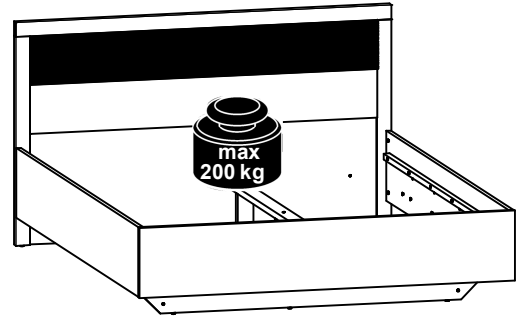
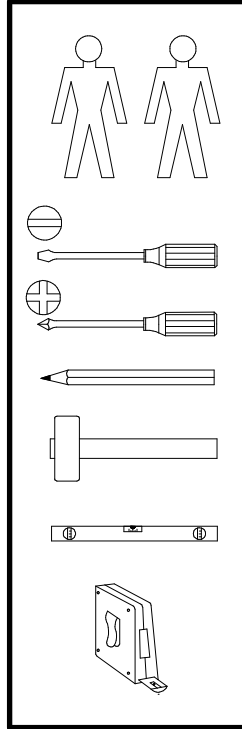
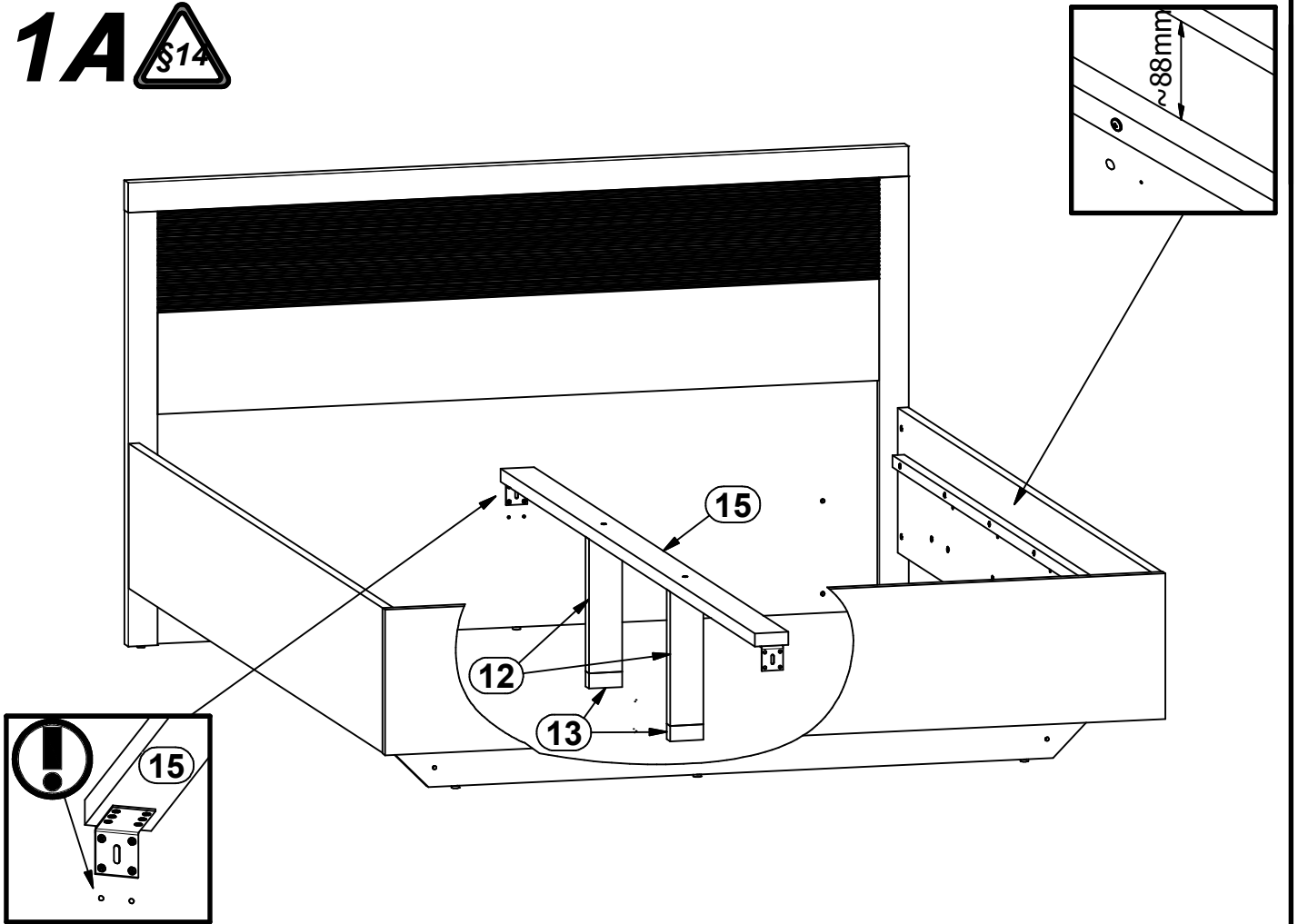


A	B	C	D
1	S428-1020	2000	300
2	S428-1021	2000	300
3	S428-4004	1522	898
4	S428-4005	1646	301
5	S428-4006	1600	271
6	S428-4007	250	100
7	S428-5020	898	62
8	S428-5021	898	62
9	S428-5022	1647	62
10	S428-5023	1522	210
11	S428-5025	1522	210
12	ZZ1-435	278	70
13	ZZ1-465	32	70
14	ZZ1-747	1880	25
15	ZZ1-774	2002	70

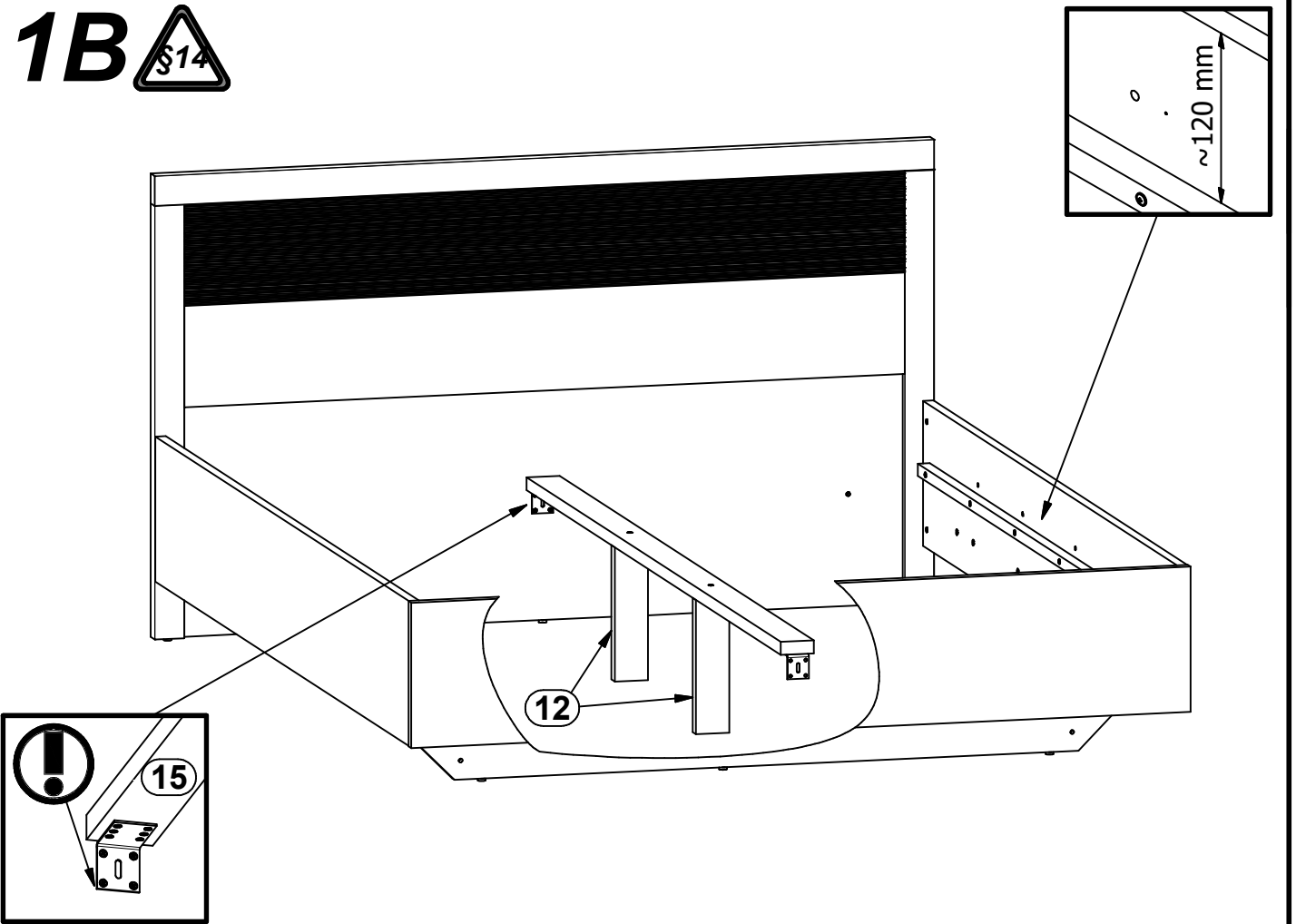


4x Ø7x50 mm e1	16x Ø6.3x13 mm e2	8x Ø6x13 mm e3	6x Ø7x24 mm e45	2x Ø7x60 mm e8	14x Ø8x30 mm f1	4x Ø8x20 mm f13	14x Ø8x50 mm f6	4x M6x70 mm j171
6x k1	2x 70x50x 45/2 mm n111	2x 130x34x34/2 mm n63	12x Ø4x40 mm p10	4x Ø3.5x25 mm p16	6x Ø4x35 mm p6	28x Ø15x12 mm #16 r1	8x 20/11 r42	4x Ø10x16 mm r43
10x 40 mm r51	2x Ø14x0.5 mm s59	1x 4 mm z1						

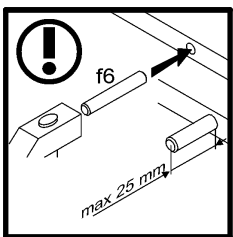
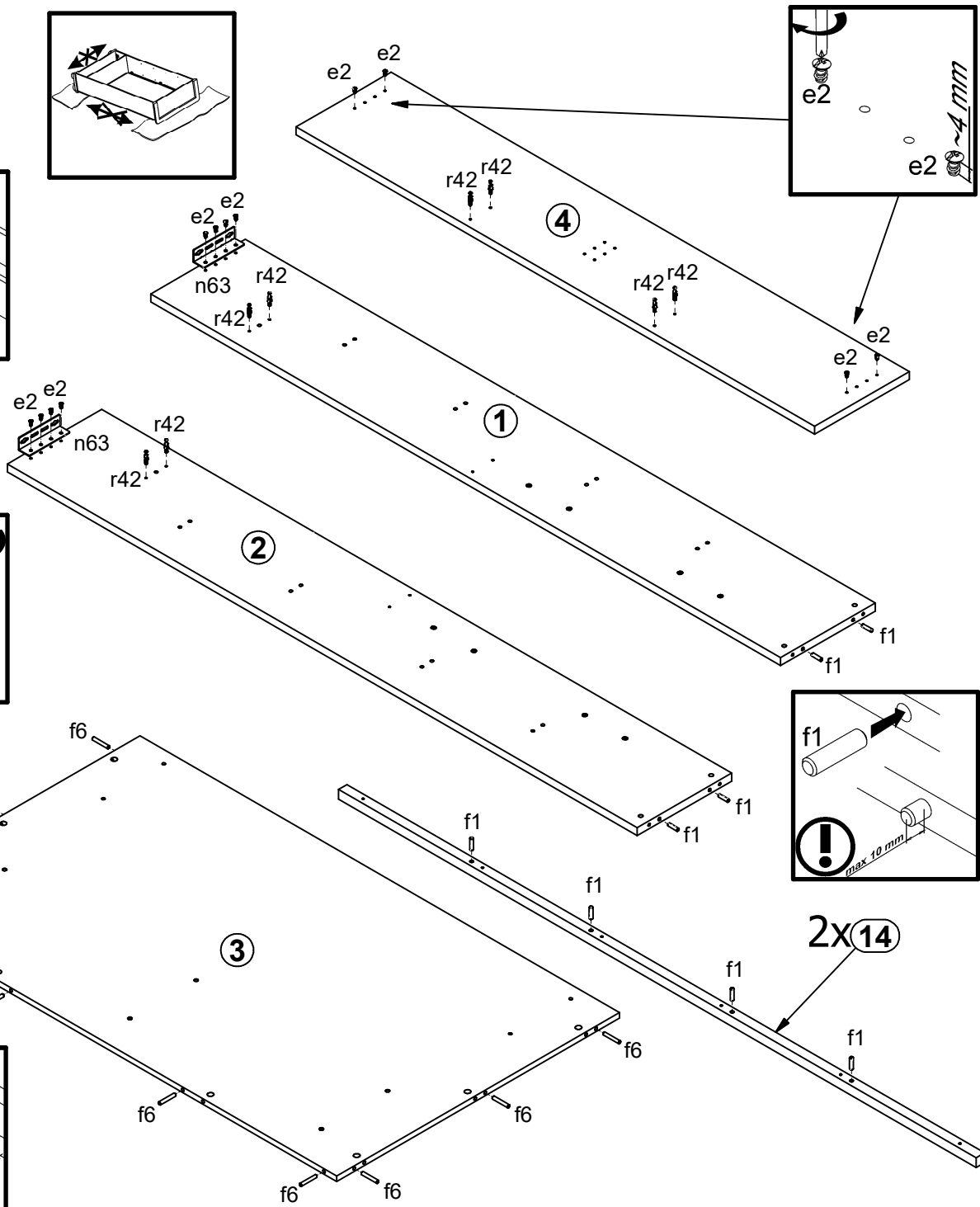
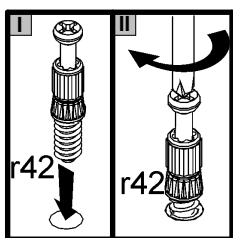
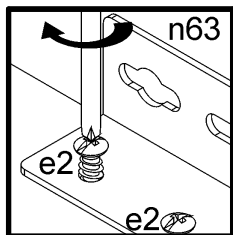
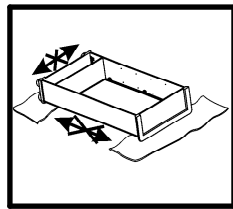
1A



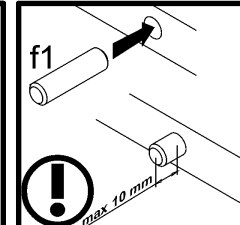
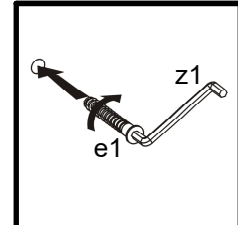
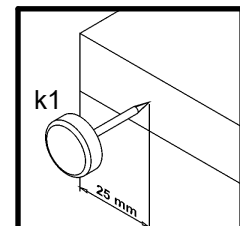
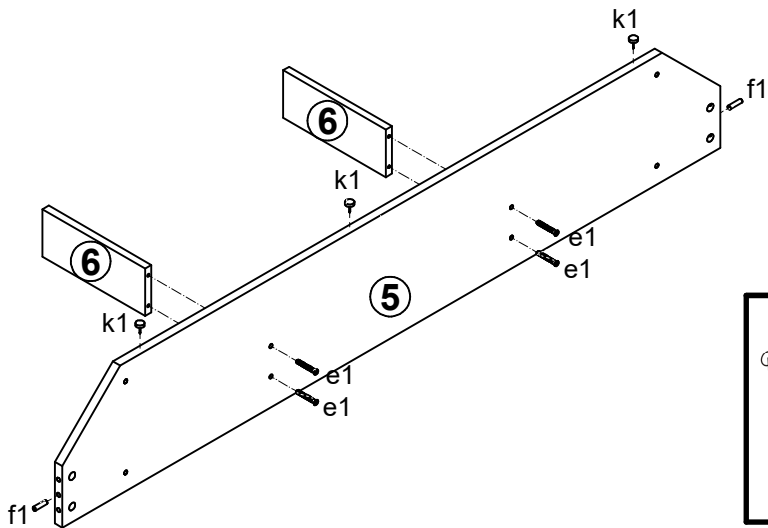
1B

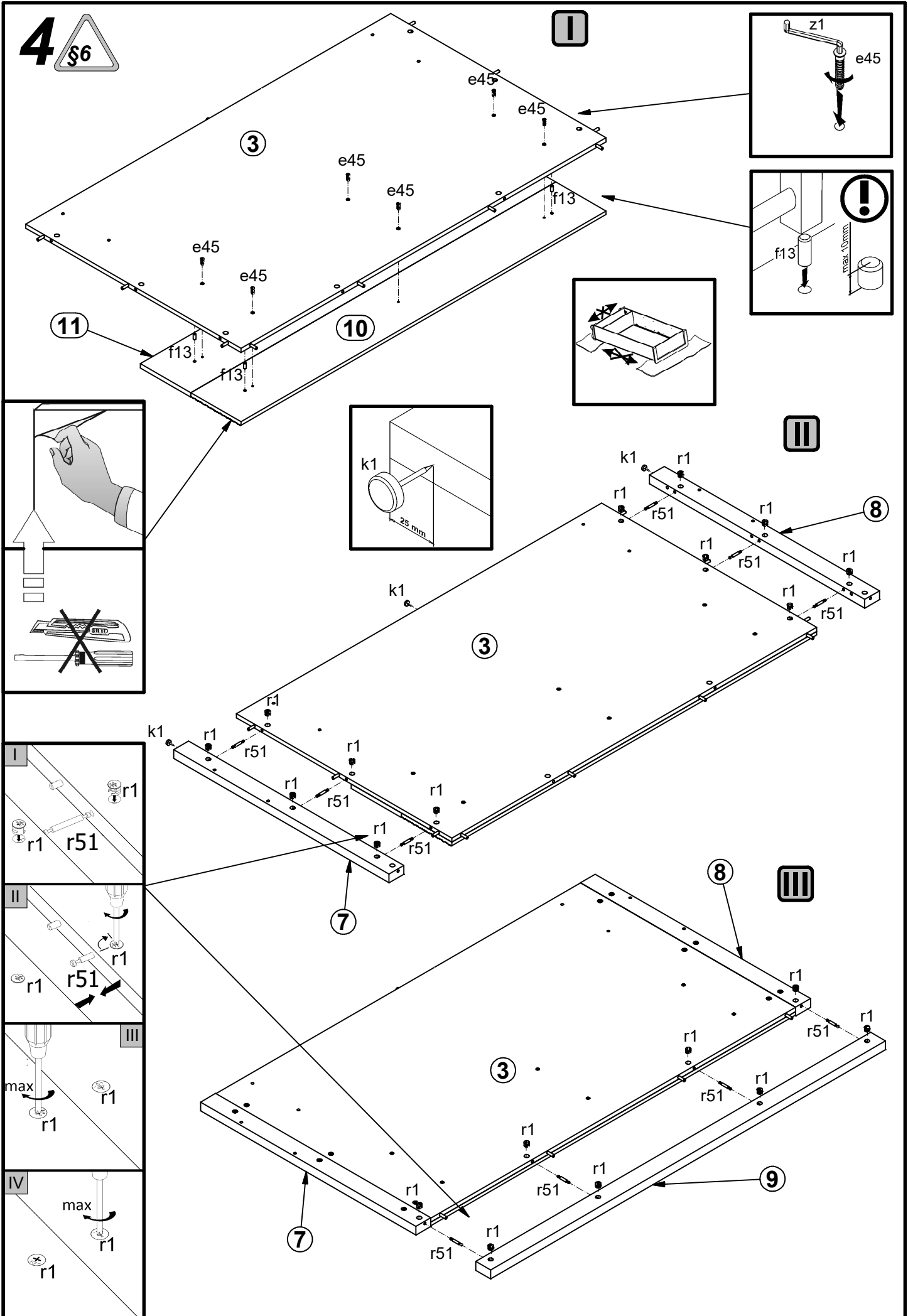


2

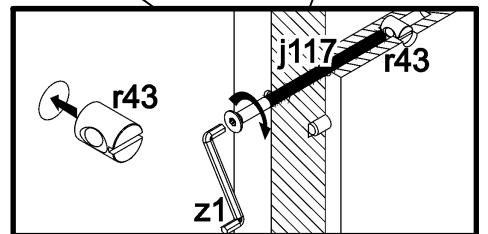
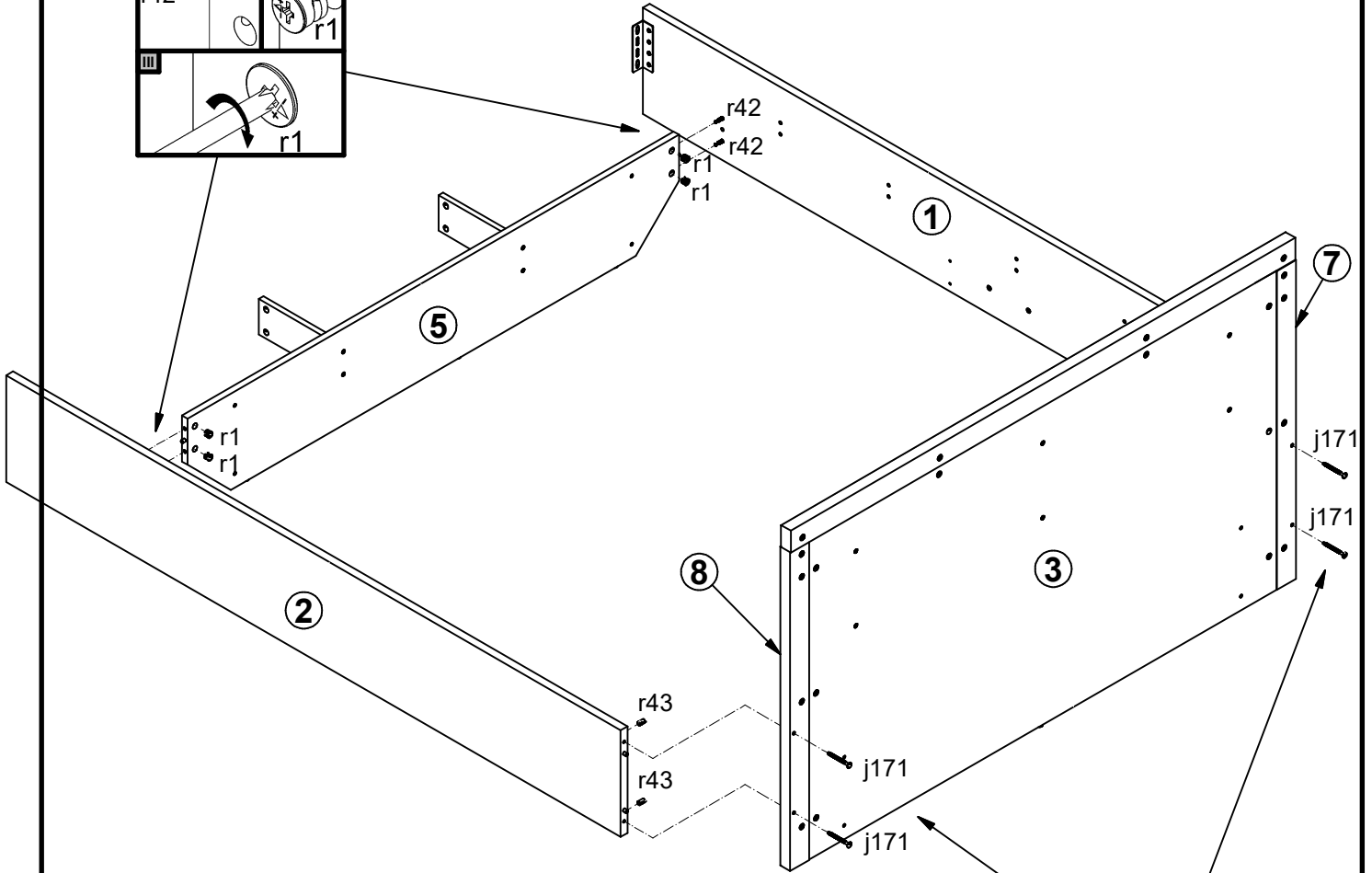
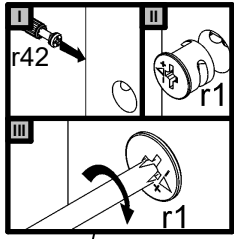


3

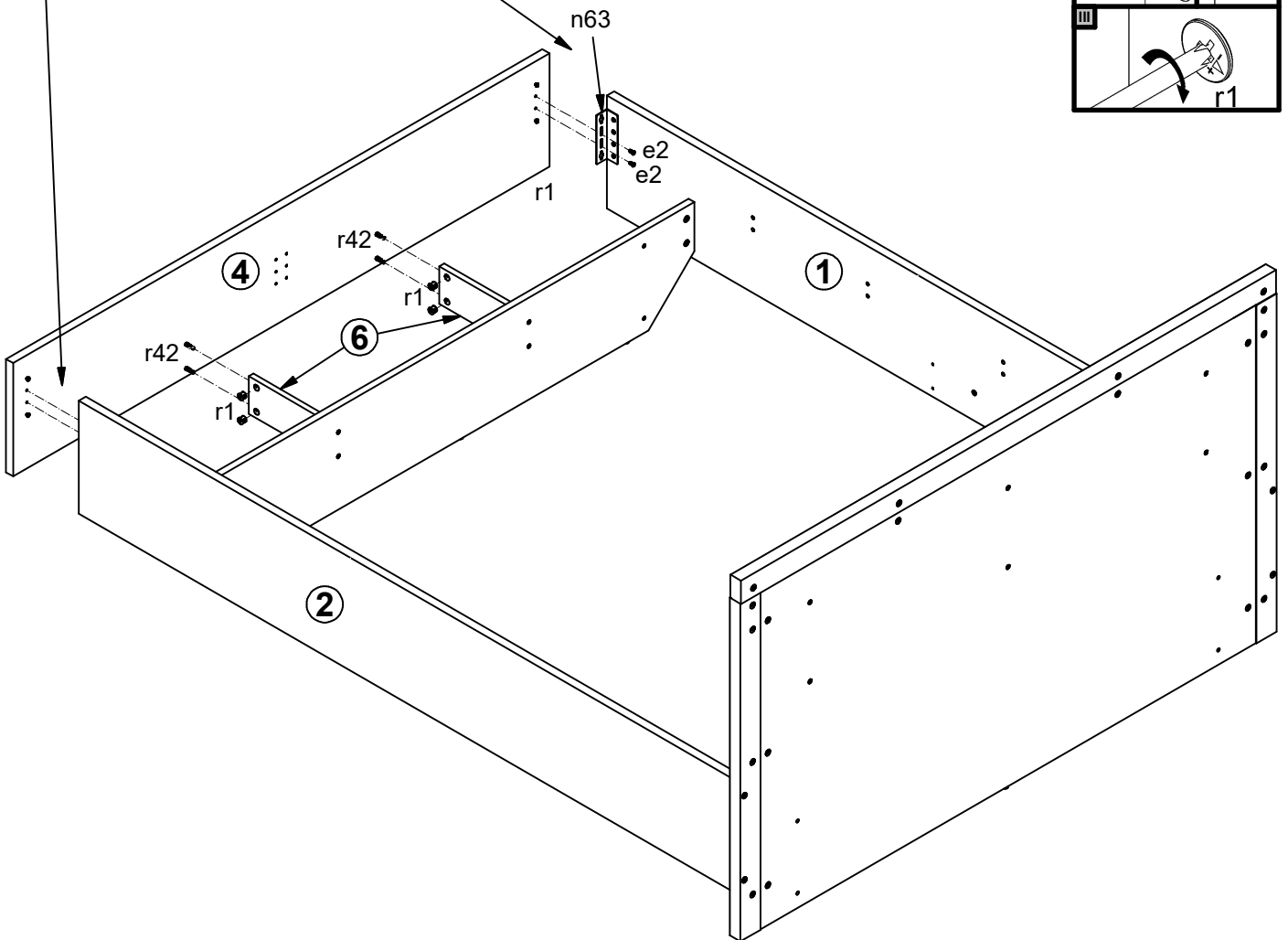
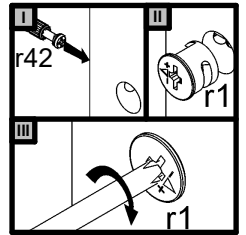
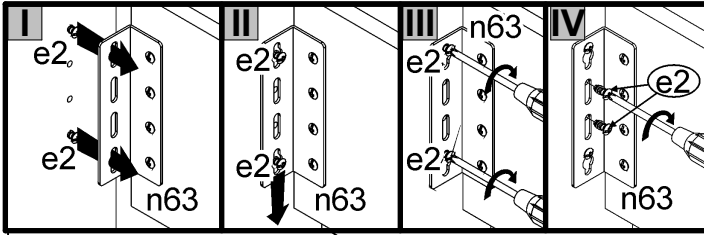
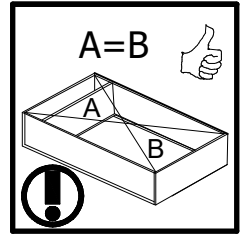




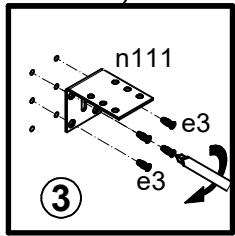
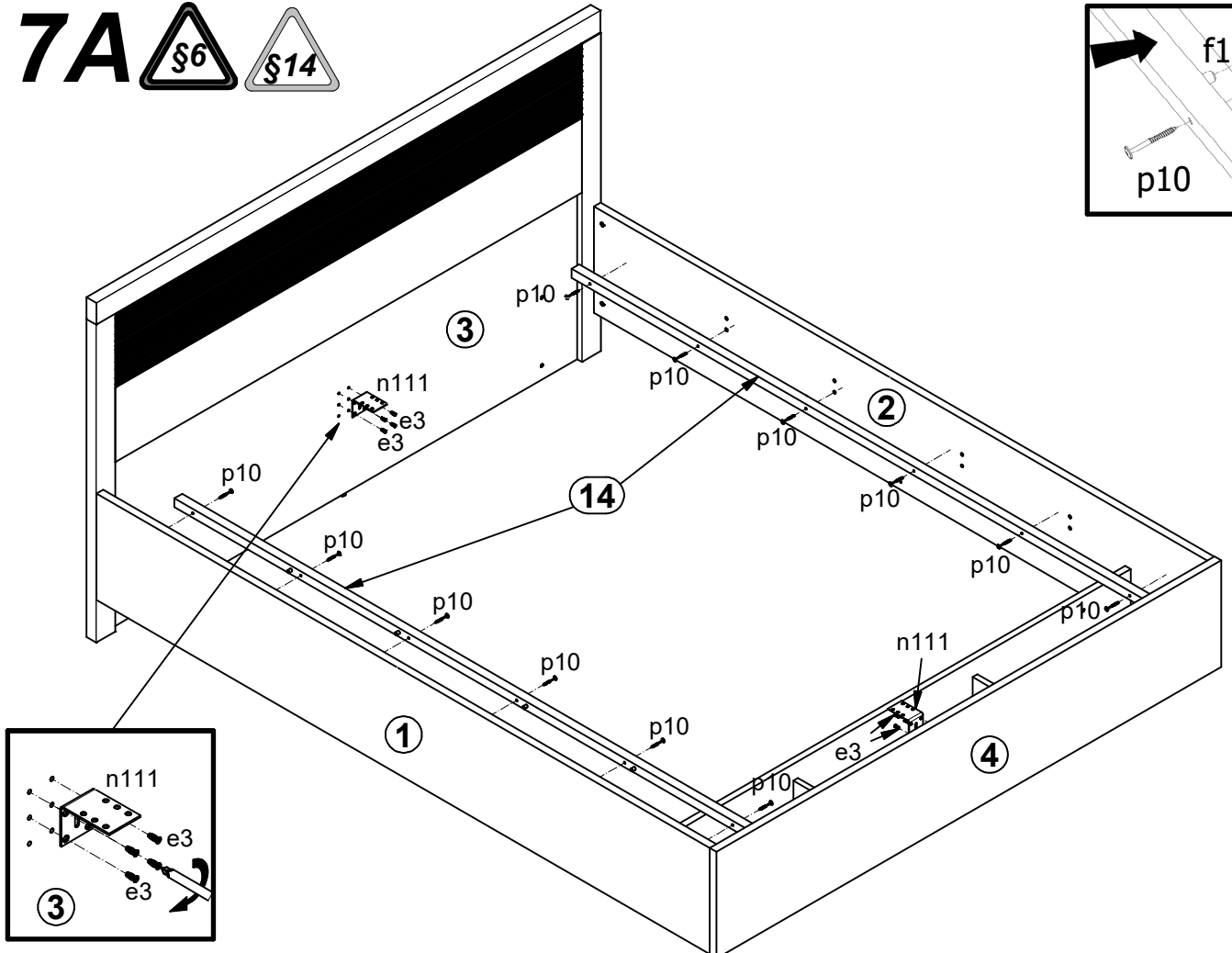
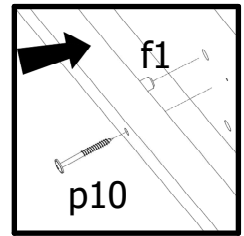
5



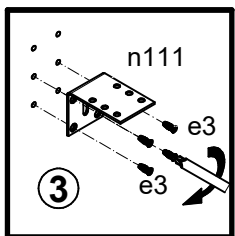
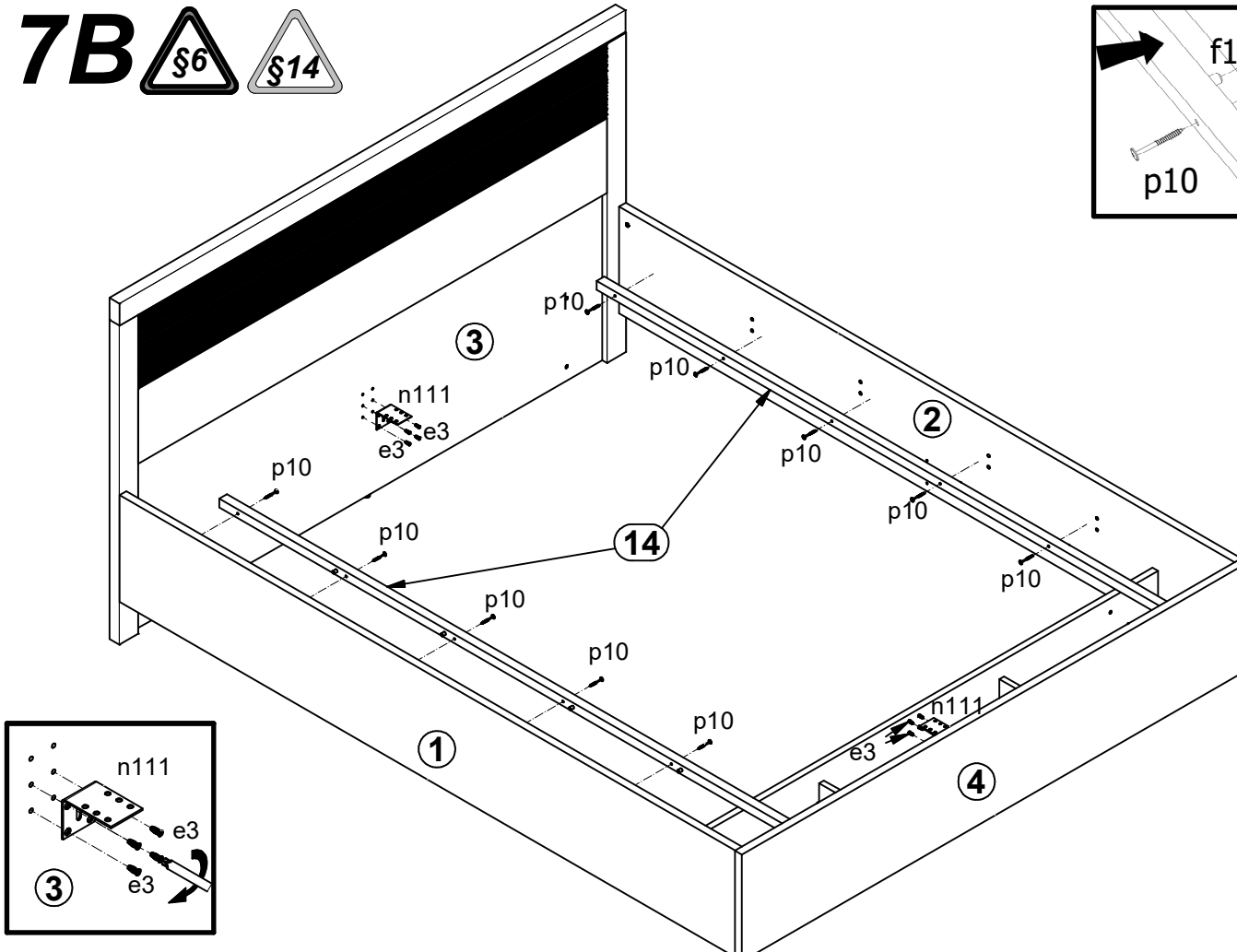
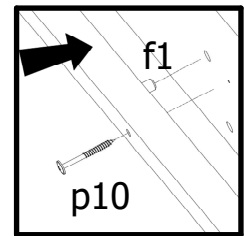
6 §6



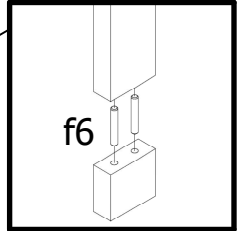
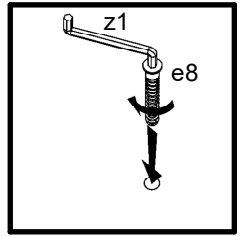
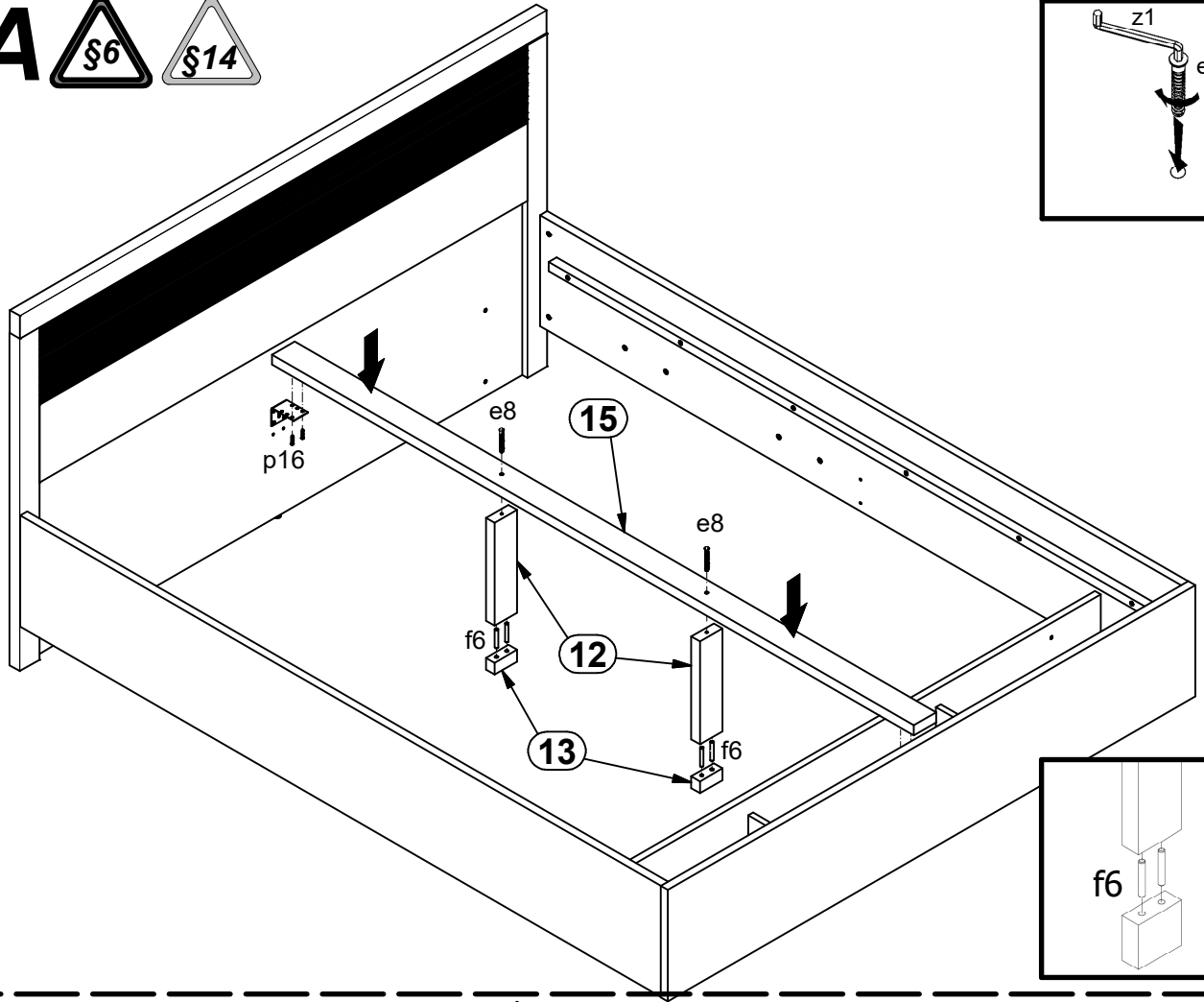
7A



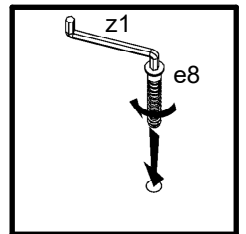
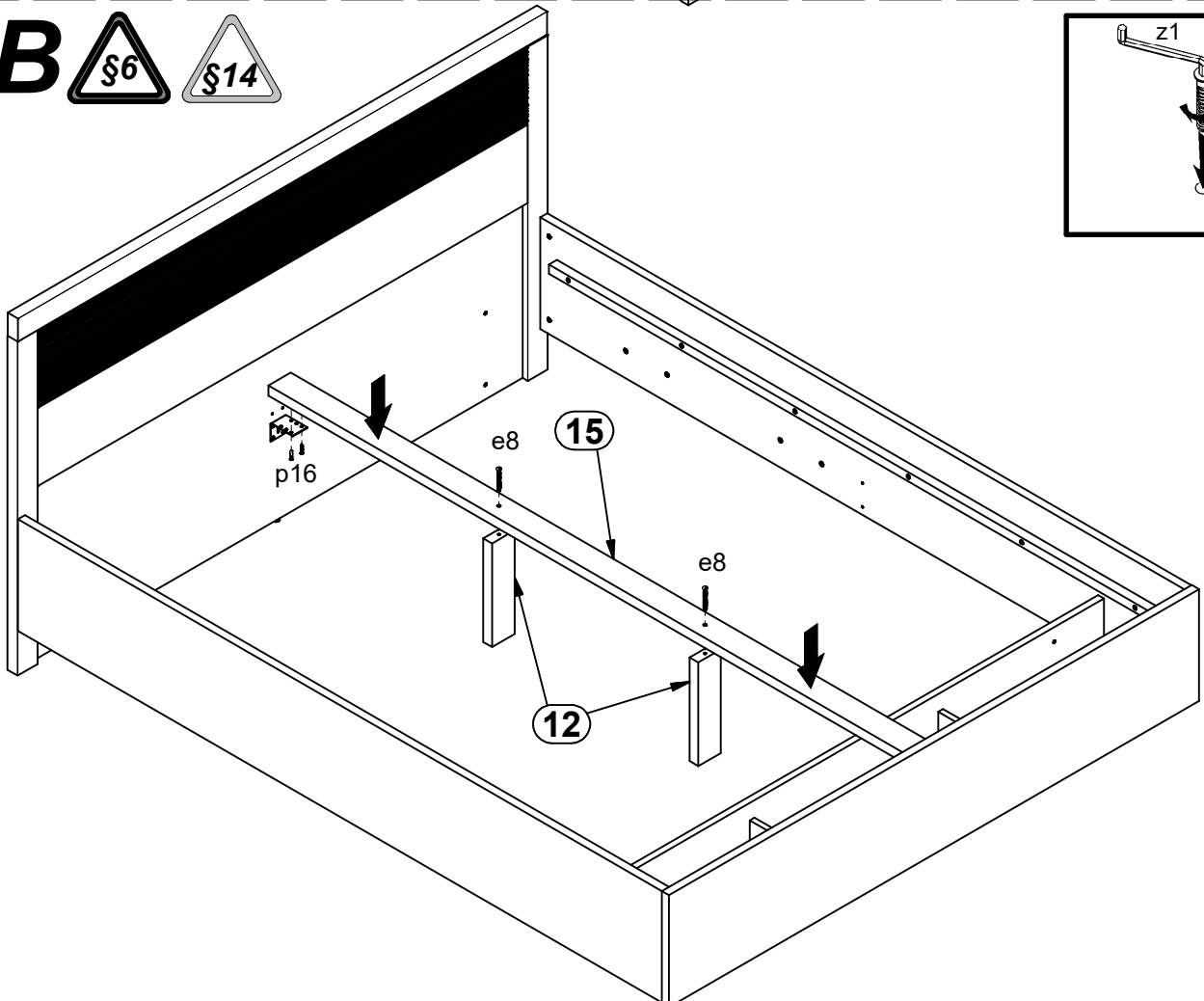
7B



8A



8B



9 

