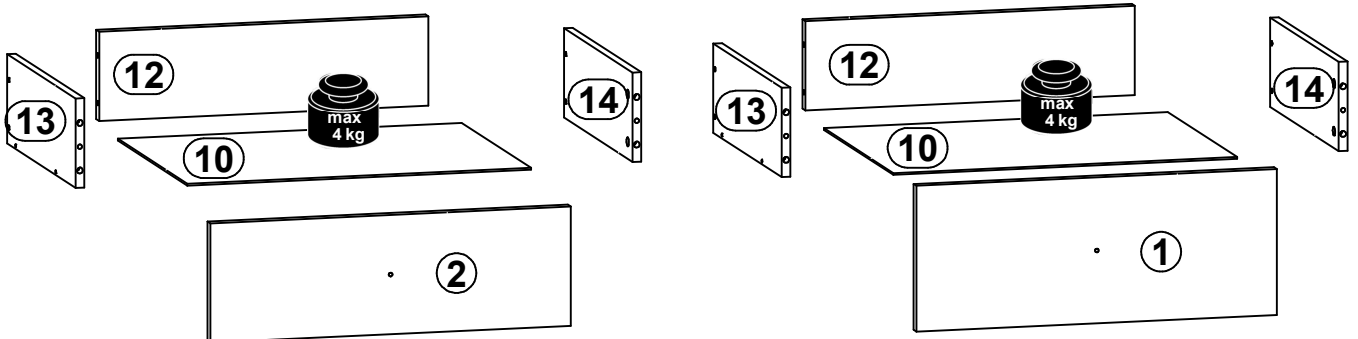
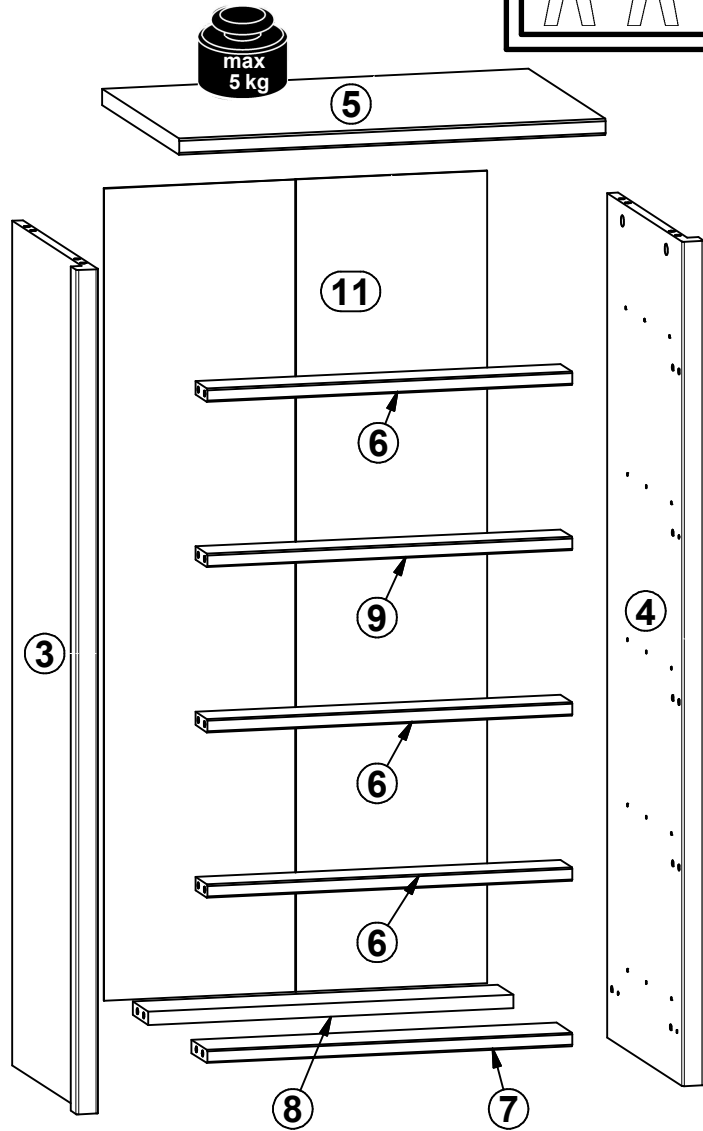
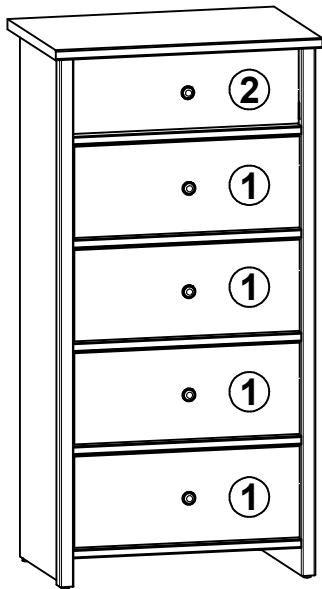
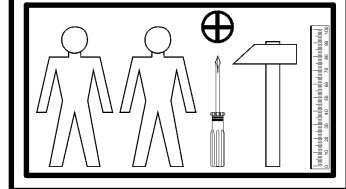
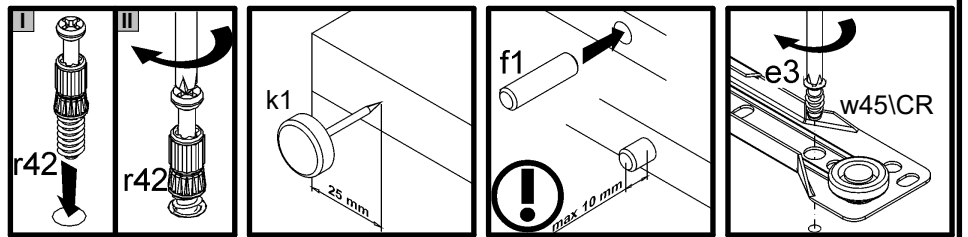
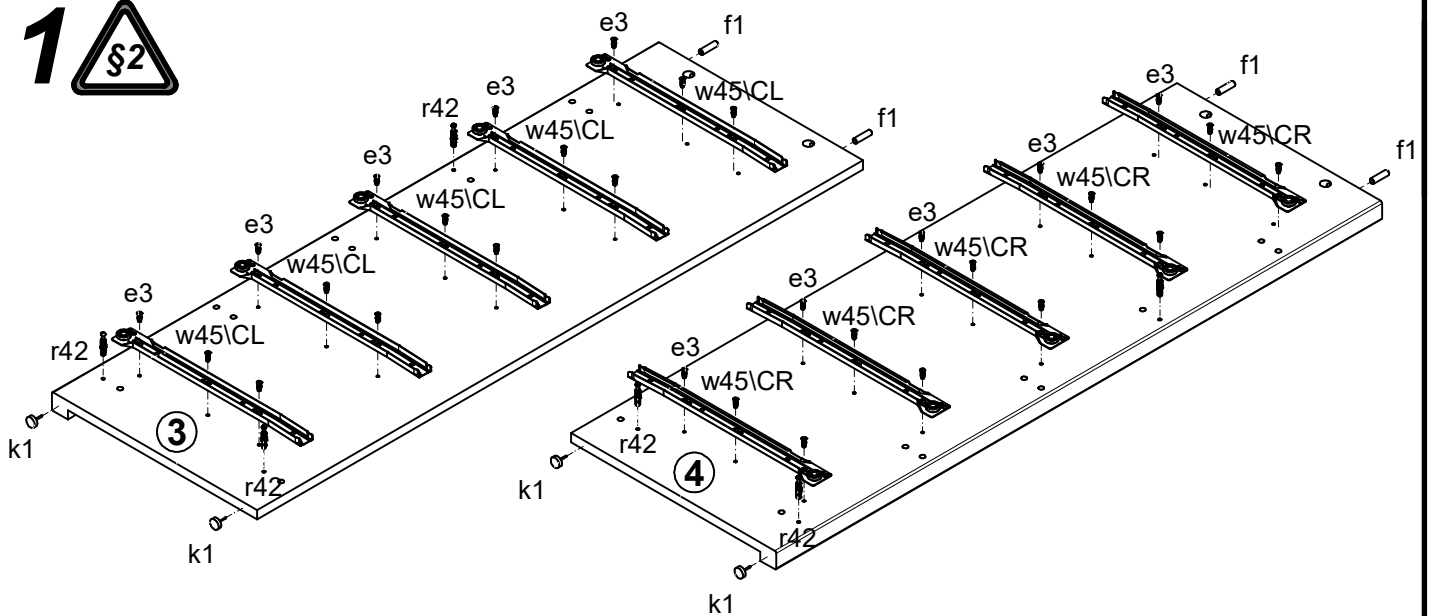


A	B	C	D	
1	S322-007	494	196	3/3
2	S322-018	494	160	3/3
3	S322-120	1134	384	1/3
4	S322-121	1134	384	1/3
5	S322-204	584	395	2/3
6	S322-405	500	60	2/3
7	S322-406	500	80	2/3
8	S322-407	500	80	2/3
9	S322-409	500	60	2/3
10	S322-909	471	355	2/3
11	S322-921	1091	525	1/3
12	ZS3-5536	451	120	2/3
13	ZS4-501	350	120	2/3
14	ZS4-502	350	120	2/3

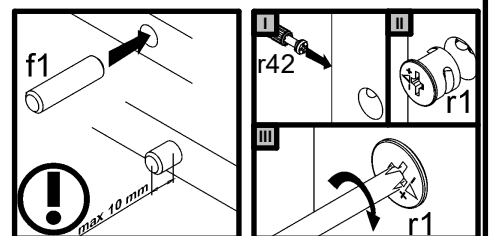
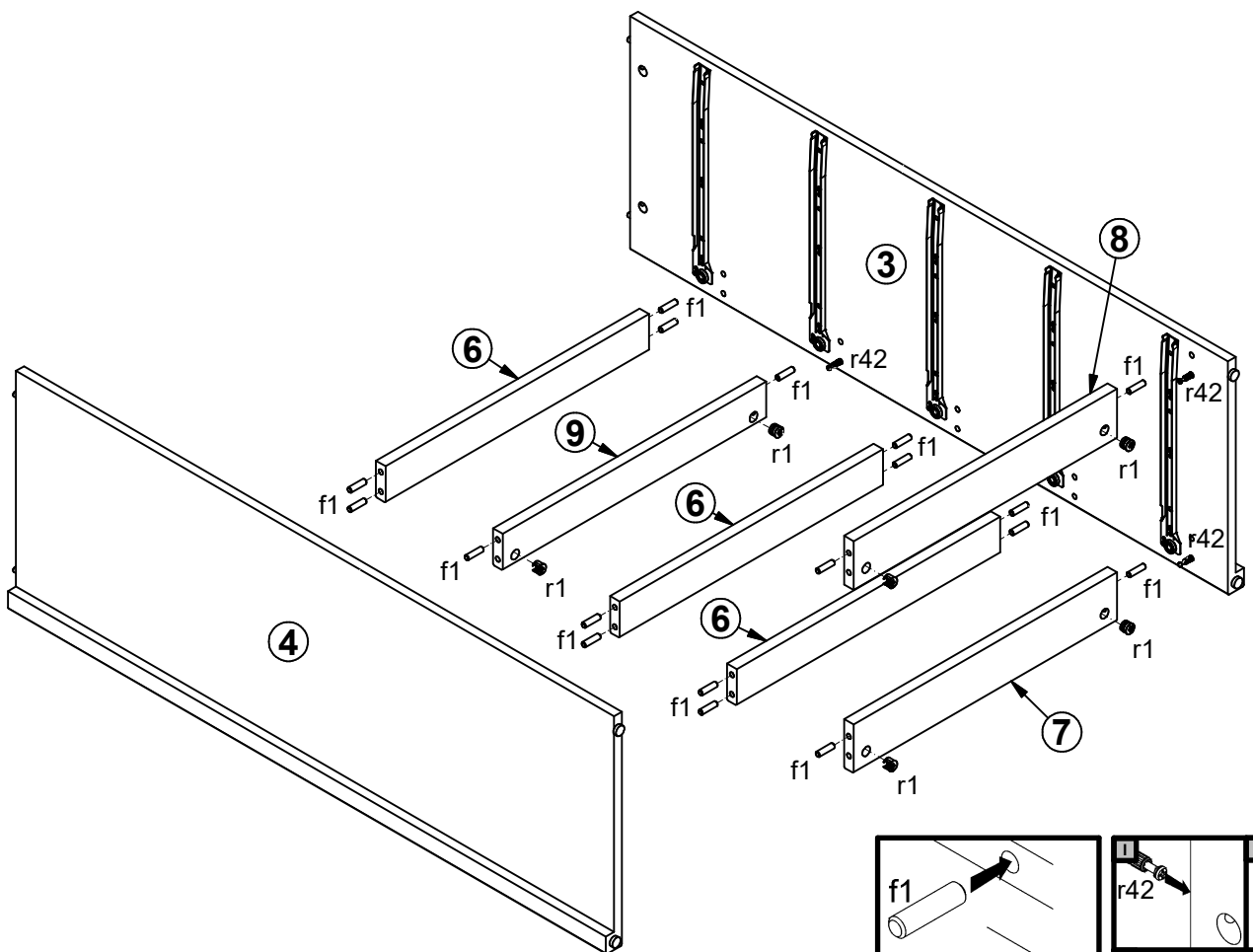


5x M4 c415	30x Ø6x13 mm e3	20x Ø5x9 mm e19	22x Ø8x30 mm f1	10x Ø6x30 mm f9	20x Ø6,5x40 mm f25	5x M4x20 mm j1	4x k1	35x l1
1x n26	21x Ø3,5x16 mm p38	10x Ø15x12 mm #16 r1	20x Ø12x10,5 mm #12 r15	30x 20/11 r42	2x Ø16 s2	5x 350 mm w45ICL	5x 350 mm w45ICR	5x 350 mm w45IDL
5x 350 mm w45IDR								

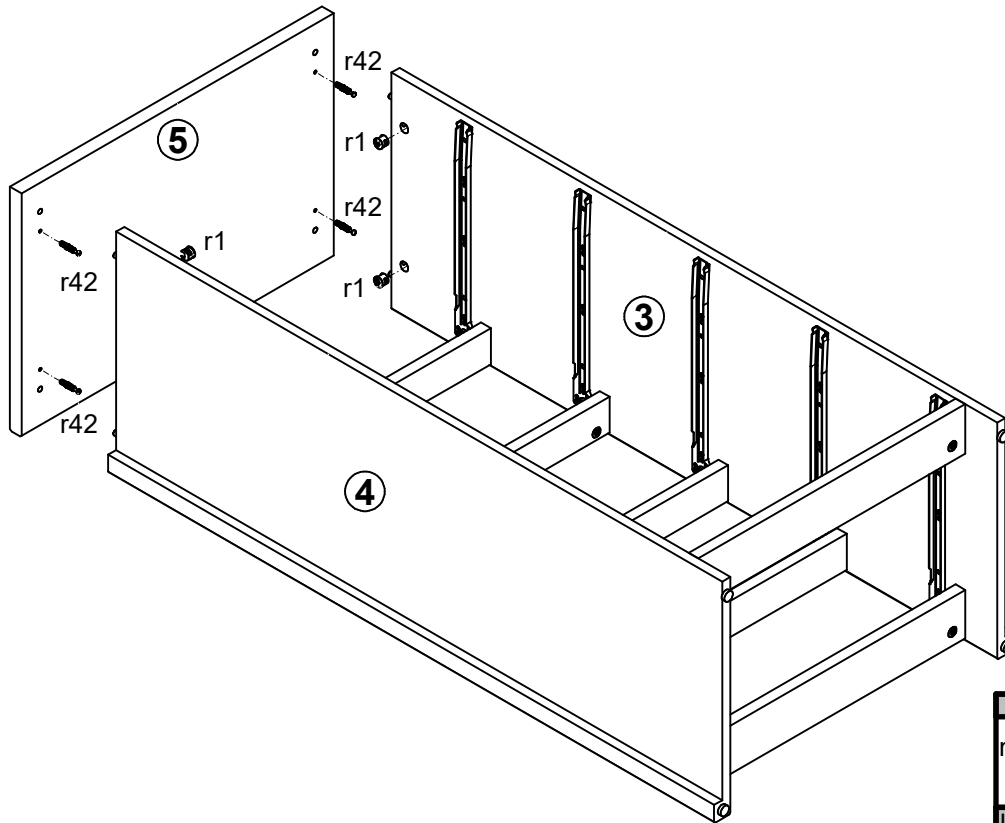
1



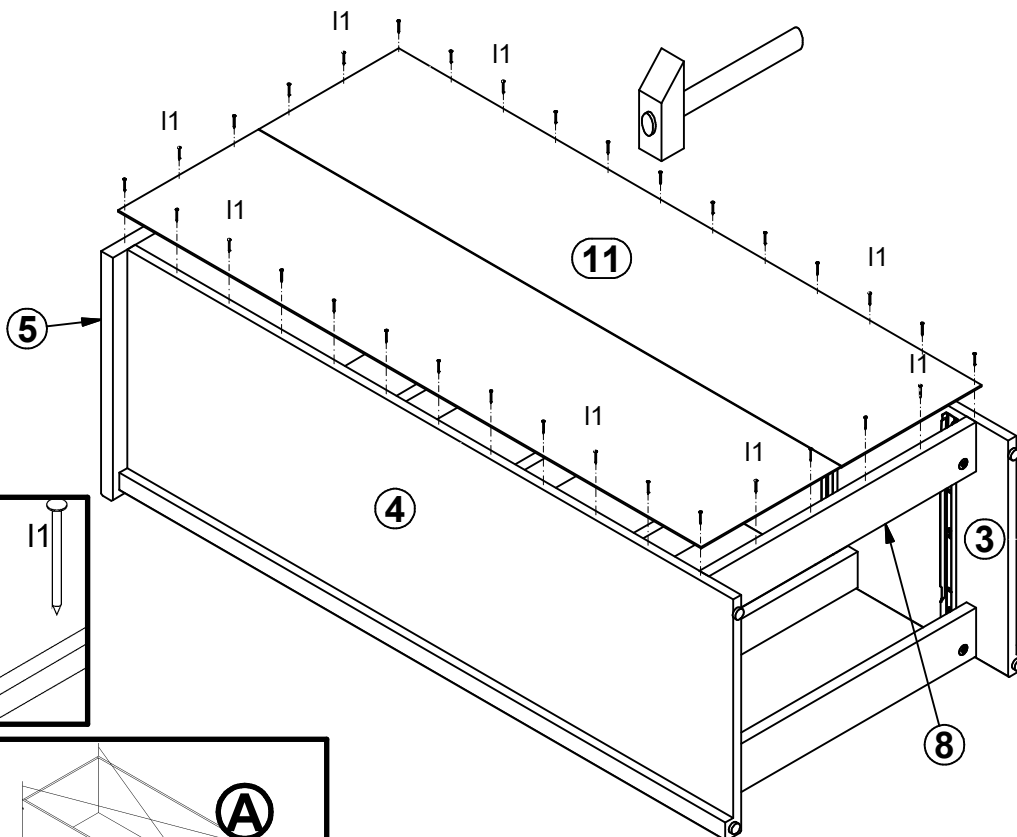
2



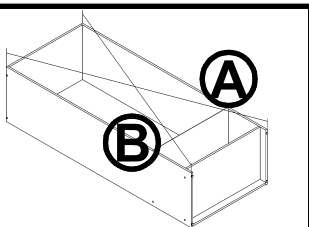
3



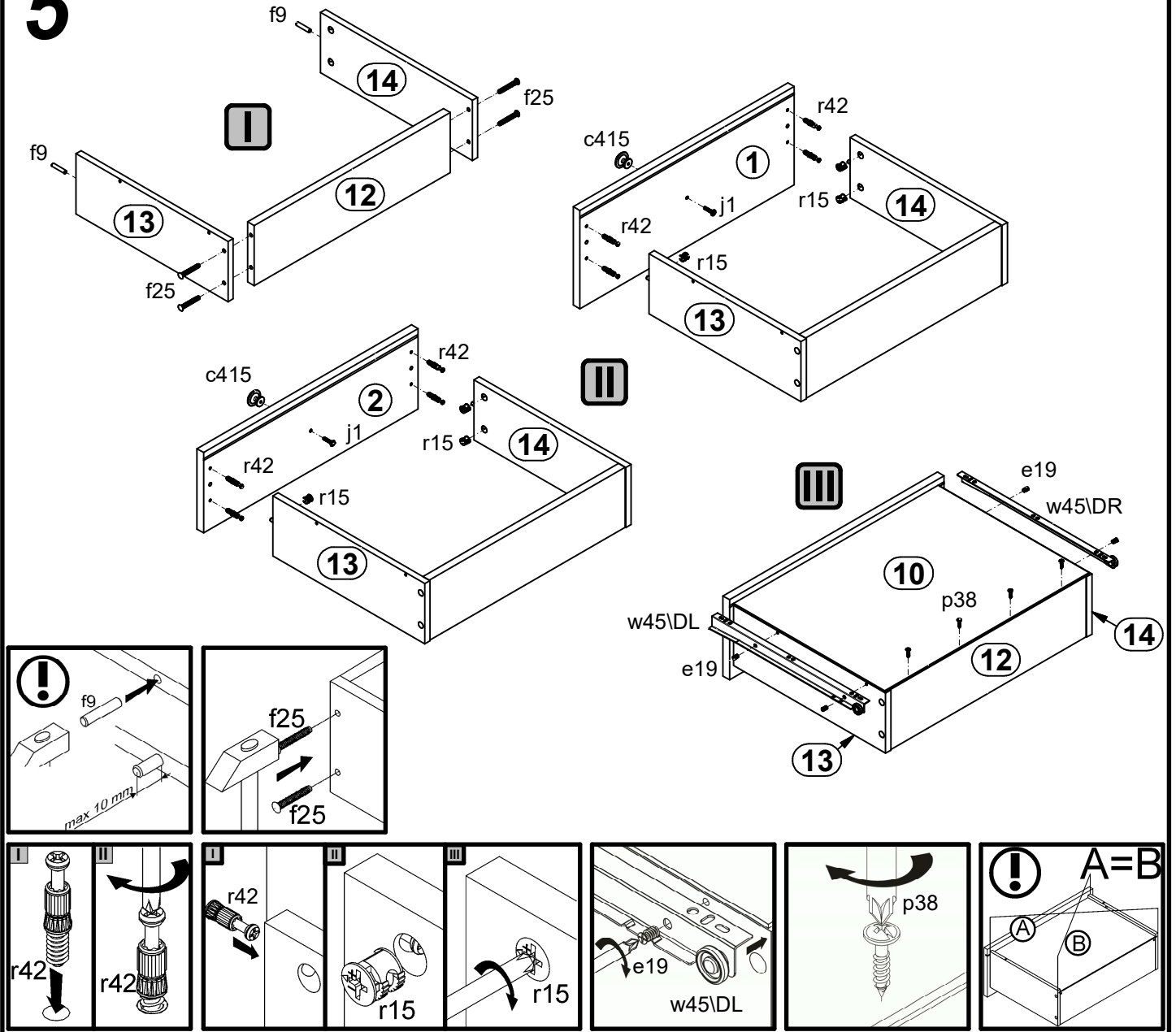
4



A=B



5



6

