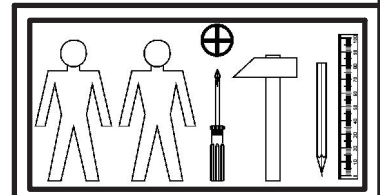
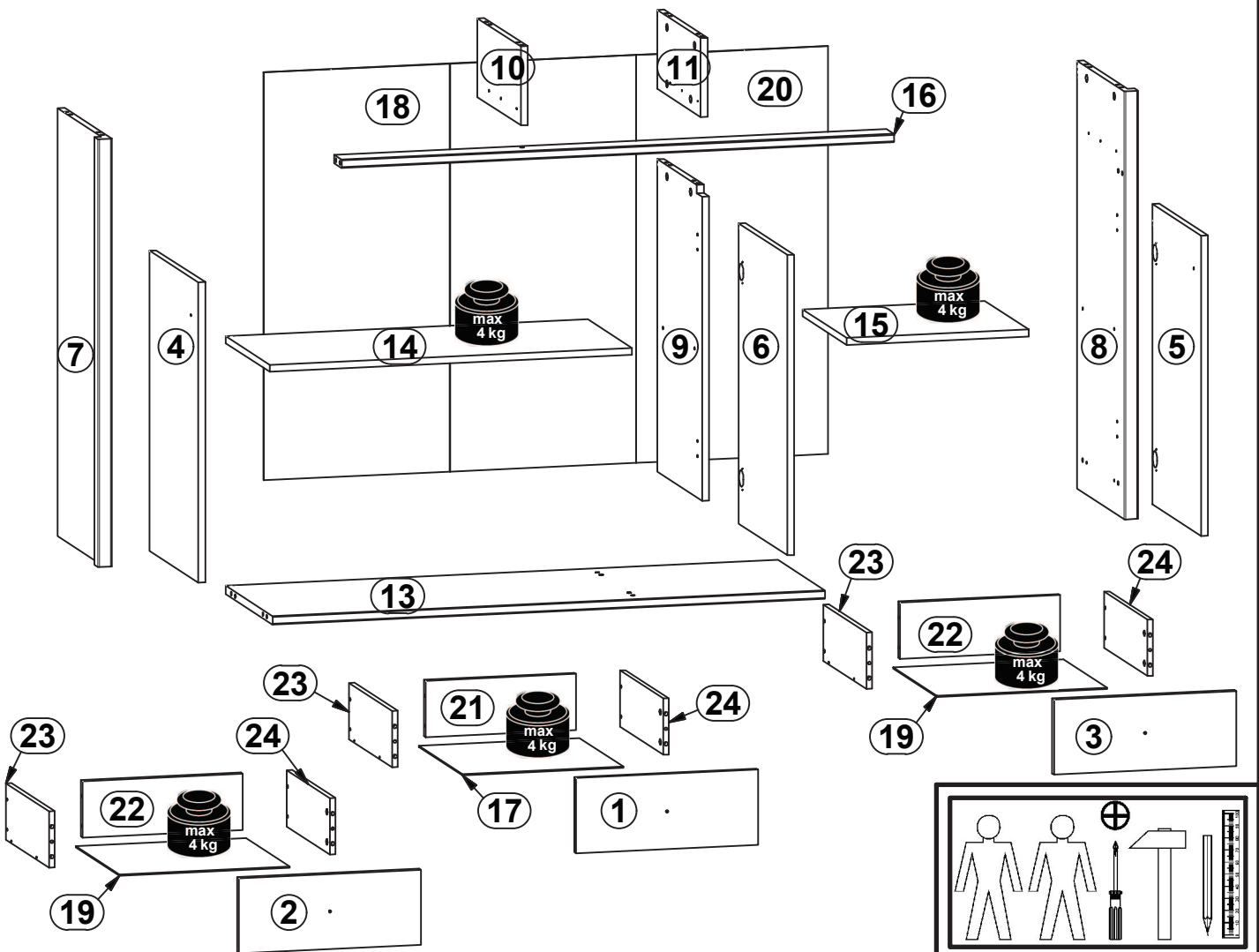
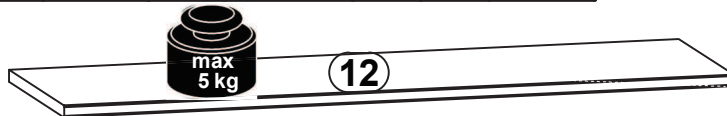
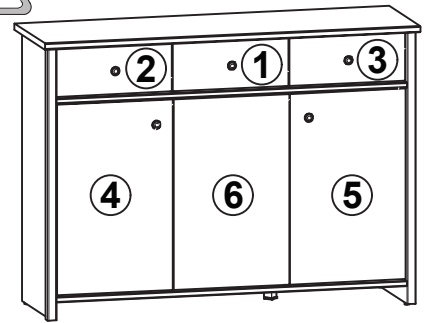
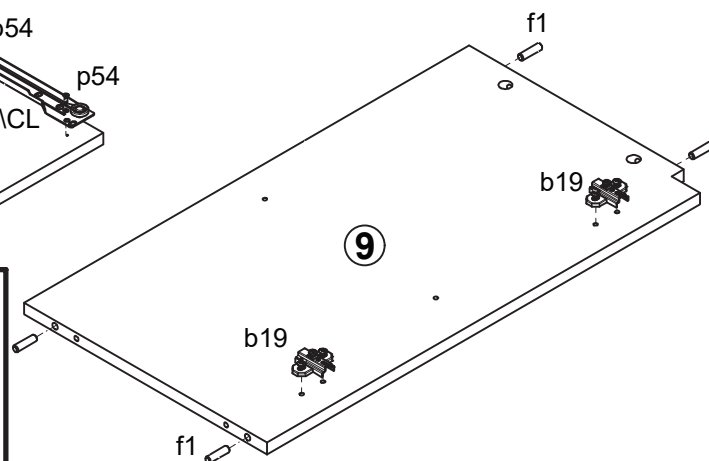
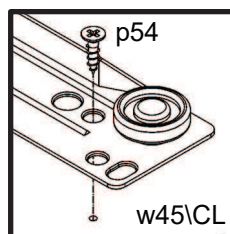
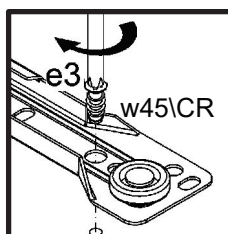
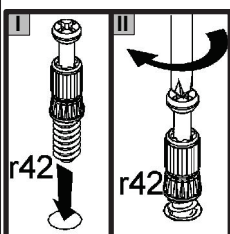
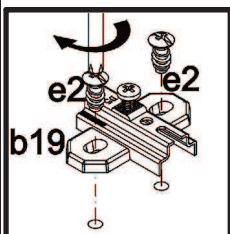
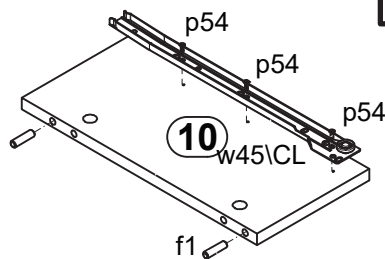
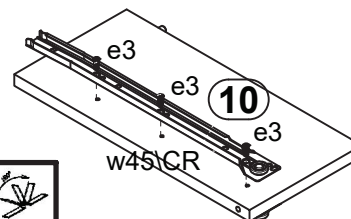
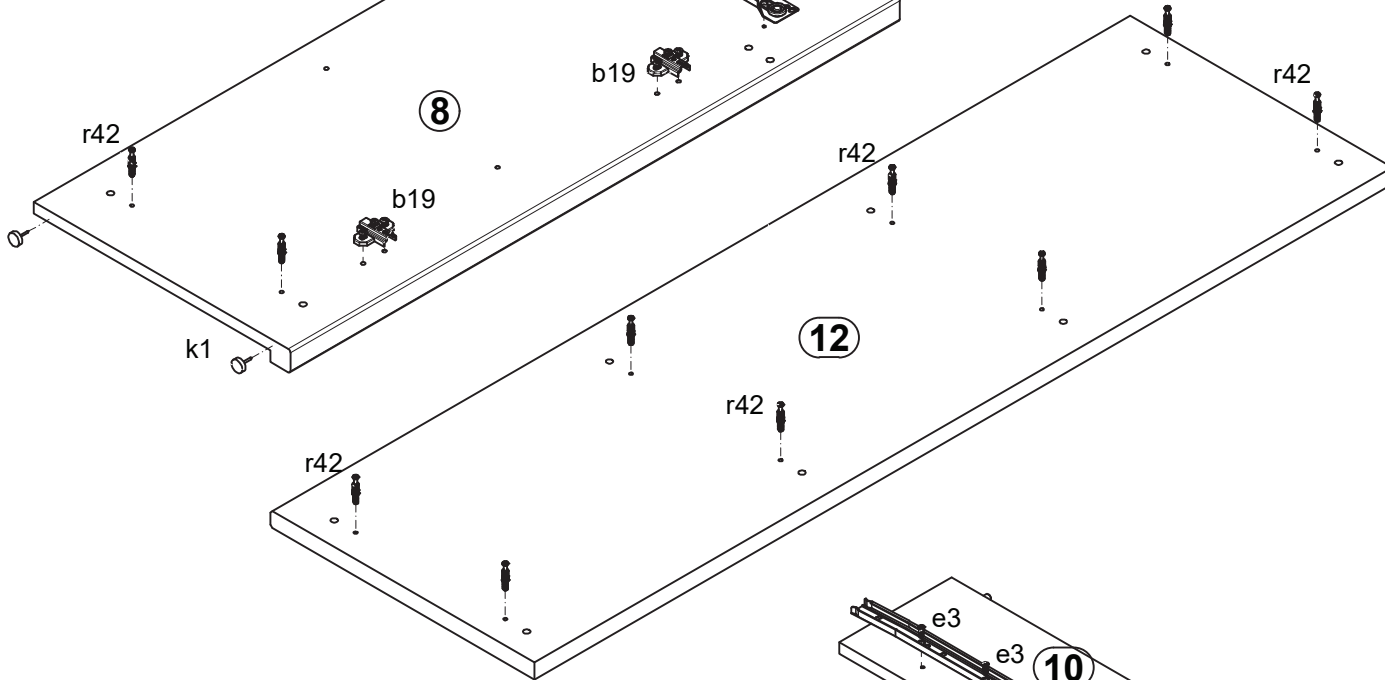
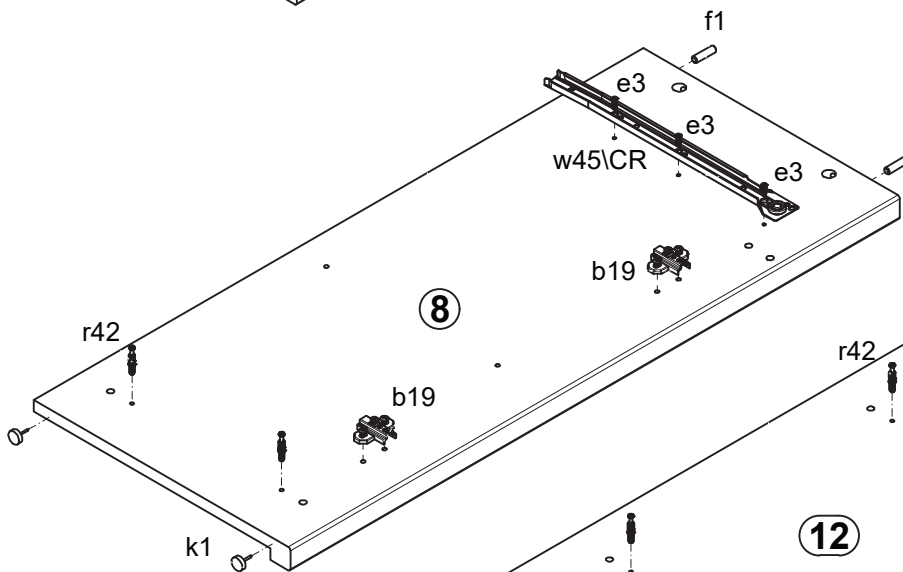
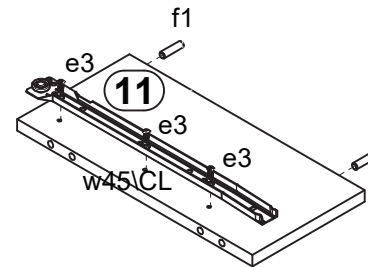
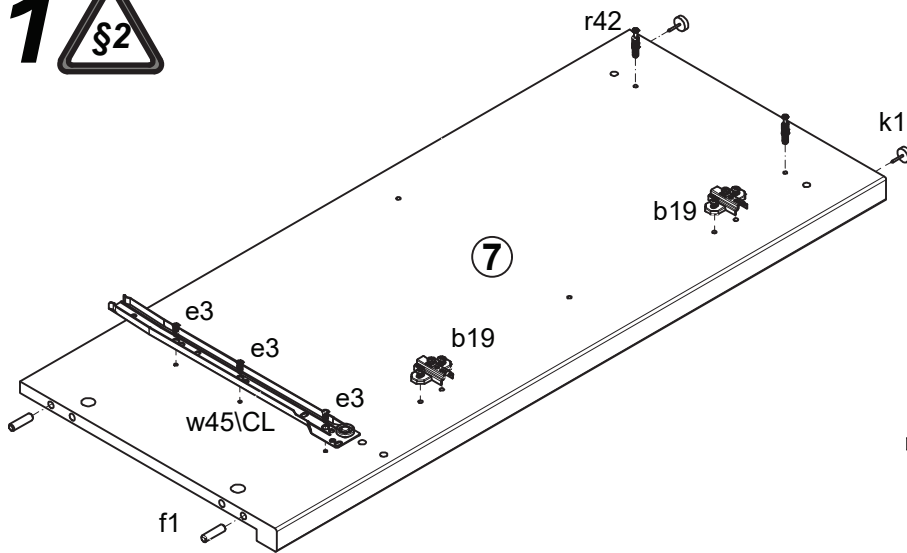
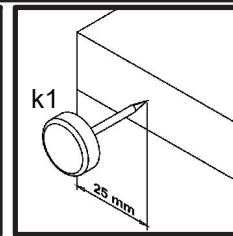
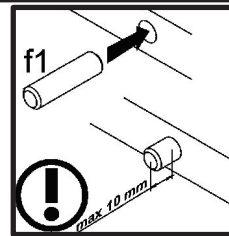


A	B	C	D	A	B	C	D		
1	S322-009	396	160	3/3	13	S322-306	1200	381	2/3
2	S322-010	396	160	3/3	14	S322-307	787	357	2/3
3	S322-011	396	160	3/3	15	S322-308	396	357	2/3
4	S322-012	640	396	3/3	16	S322-408	1200	60	2/3
5	S322-013	640	396	3/3	17	S322-912	349	355	2/3
6	S322-034	640	396	3/3	18	S322-914	869	809	2/3
7	S322-111	912	384	1/3	19	S322-915	370	355	2/3
8	S322-112	912	384	1/3	20	S322-916	869	417	2/3
9	S322-113	666	363	1/3	21	ZS3-5587	327	120	1/3
10	S322-114	168	352	1/3	22	ZS3-5624	348	120	1/3
11	S322-115	168	352	1/3	23	ZS4-501	350	120	1/3
12	S322-205	1284	395	2/3	24	ZS4-502	350	120	1/3

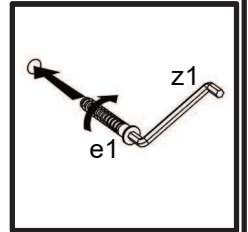
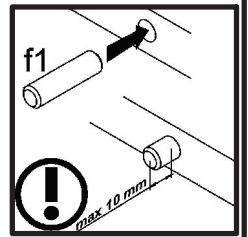
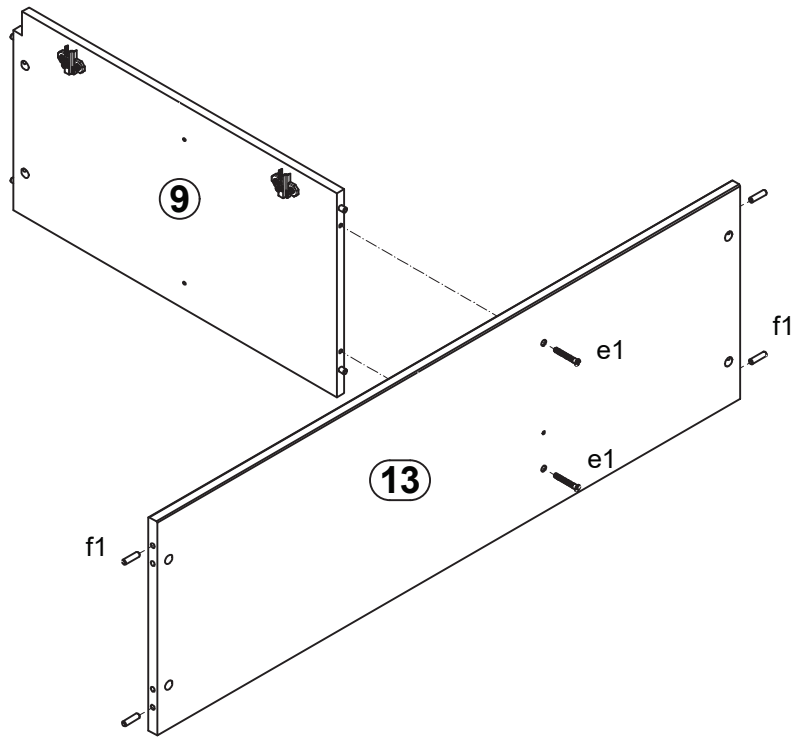


4x K16 a43	2x K0 a44	6x b19	5x M4 c415	8x Ø5x17 mm d1	2x Ø6,3x15 mm d4	3x Ø7x50 mm e1	1x Ø6,3x13 mm e2	12x Ø6x13 mm e3
12x Ø5x9 mm e19	20x Ø8x30 mm f1	6x Ø6x30 mm f9	12x Ø6,5x40 mm f25	5x M4x20 mm j1	4x k1	1x 42,5x42,514 mm k3813	1x 30x30x60 mm k3818	65x l1
13x Ø3,5x16 mm p38	12x Ø3,5x15 mm p51	6x Ø3x12 mm p54	16x Ø15x12 mm #16 r1	12x Ø12x10,5 mm #12 r15	24x 20/11 r42	2x 40 mm r51	3x 350 mm w45\CL	3x 350 mm w45\CR
3x 350 mm w45\DL	3x 350 mm w45\DR	1x Ø3,5x16 mm p38	1x z1	1x n26\1	2x Ø16 s2			

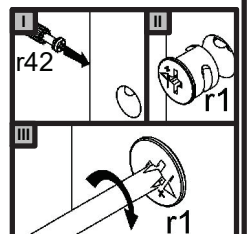
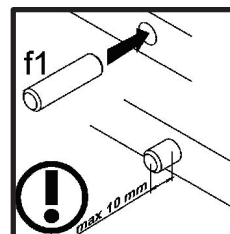
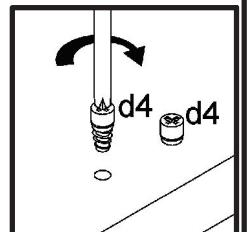
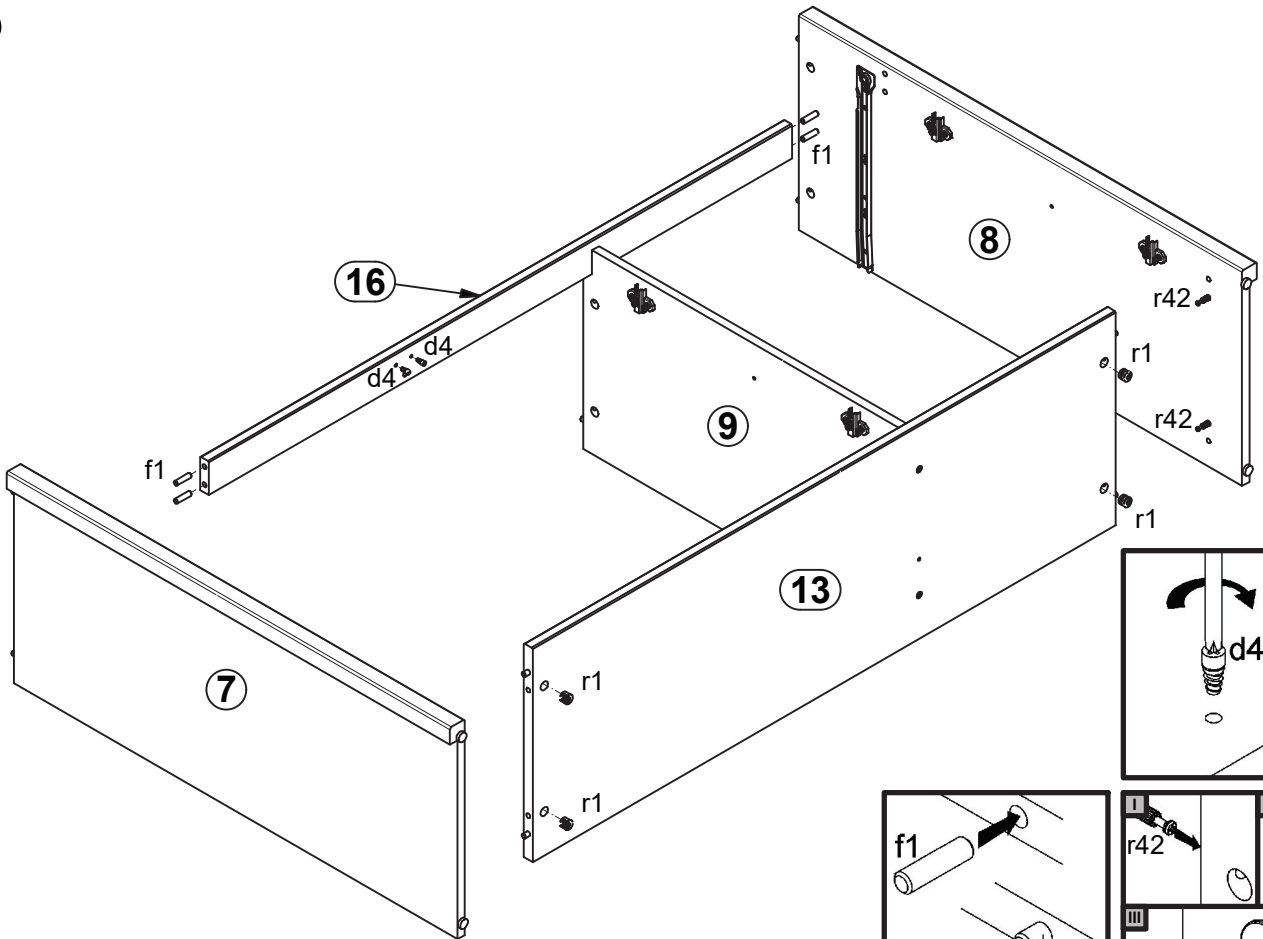
1 



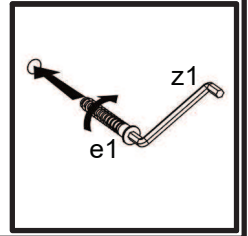
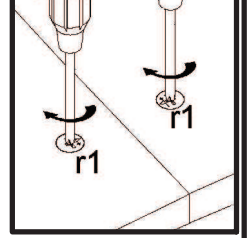
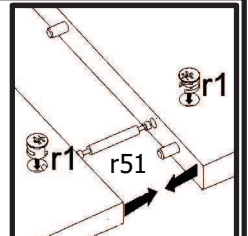
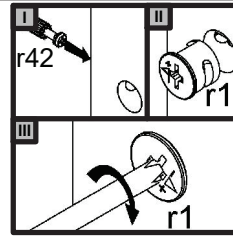
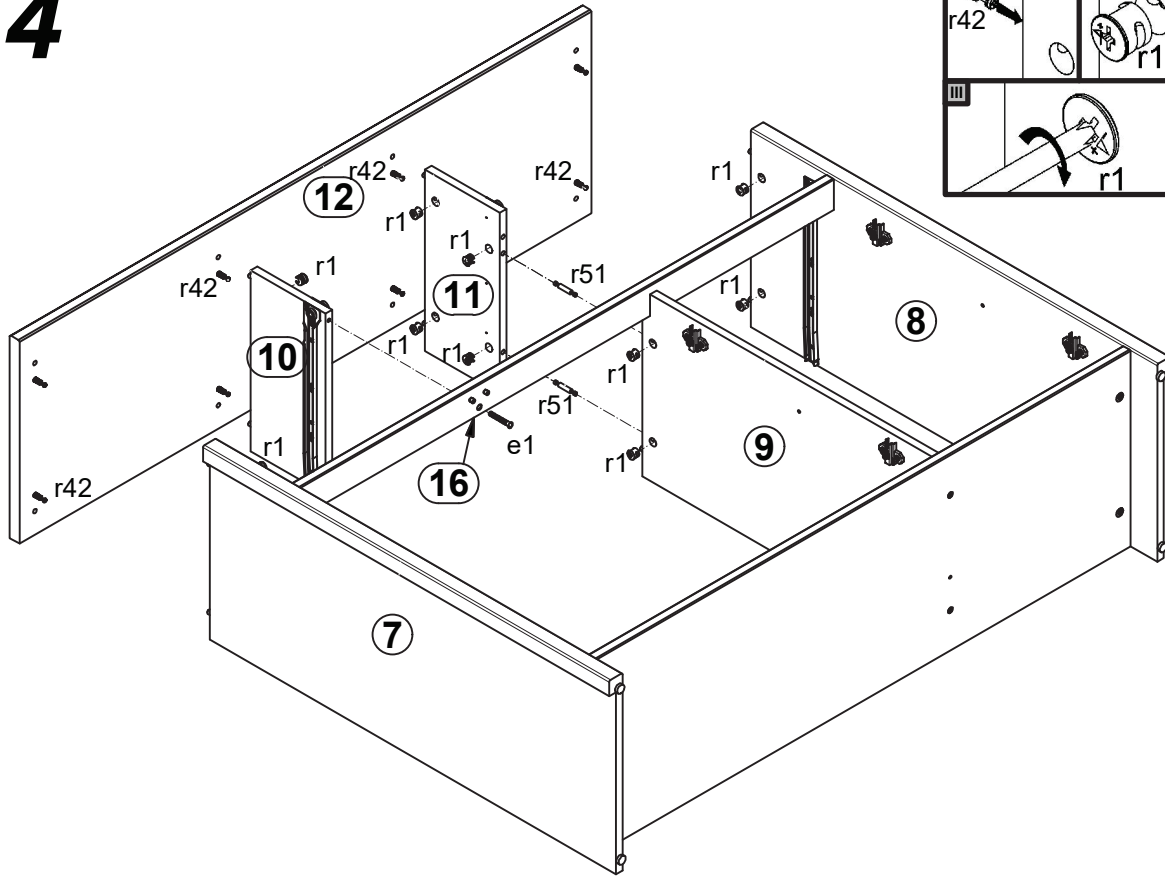
# 2



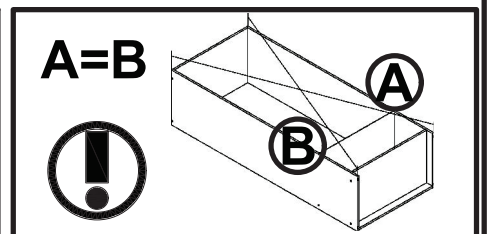
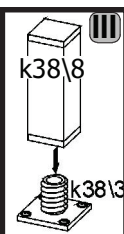
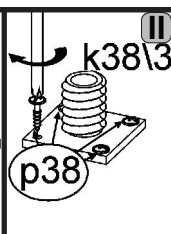
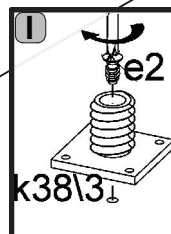
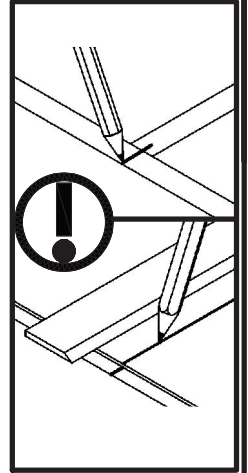
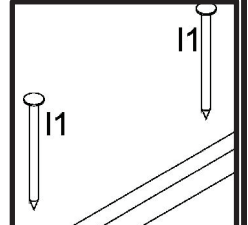
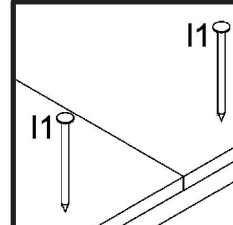
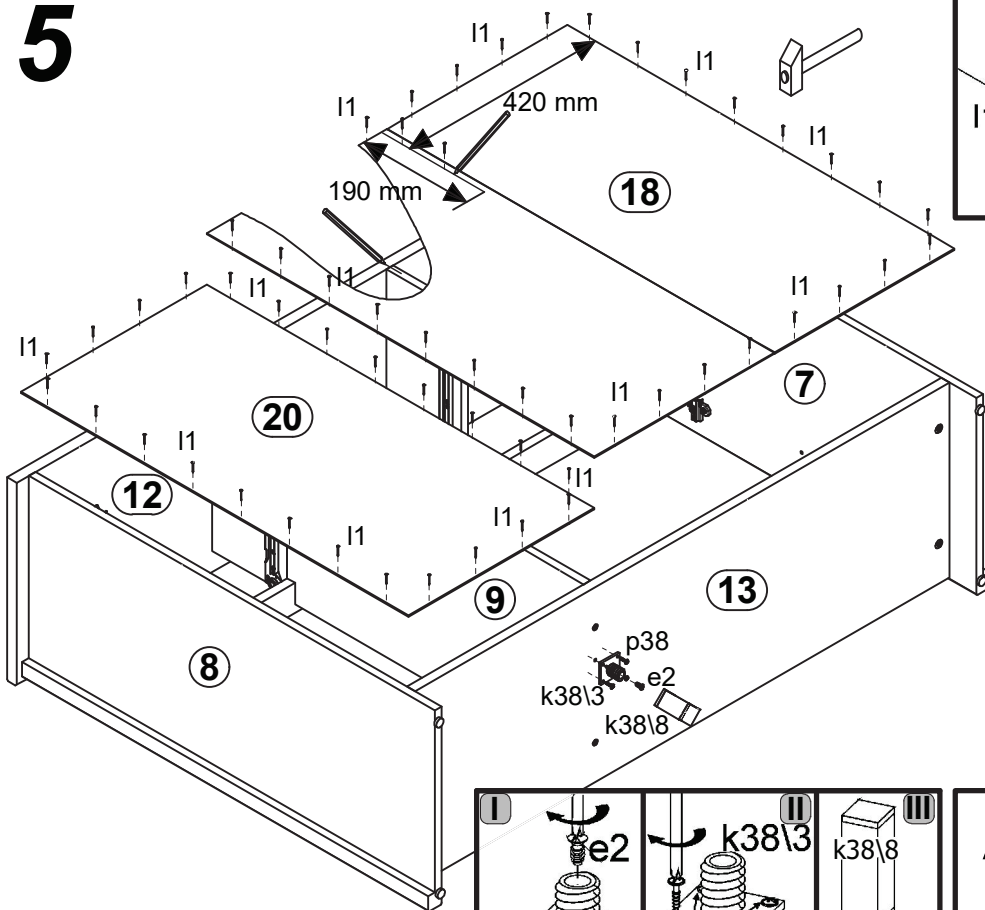
# 3



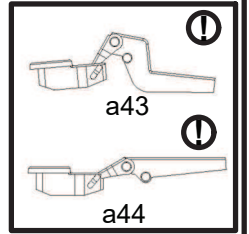
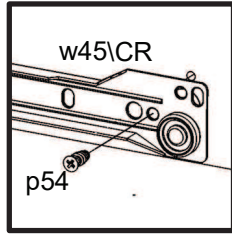
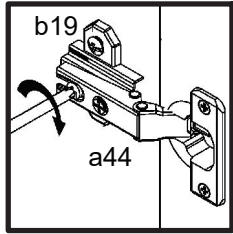
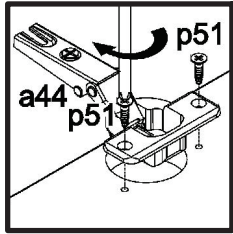
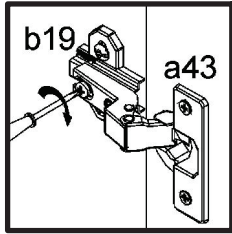
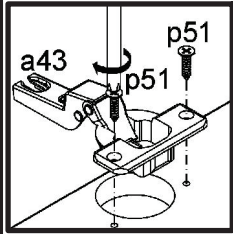
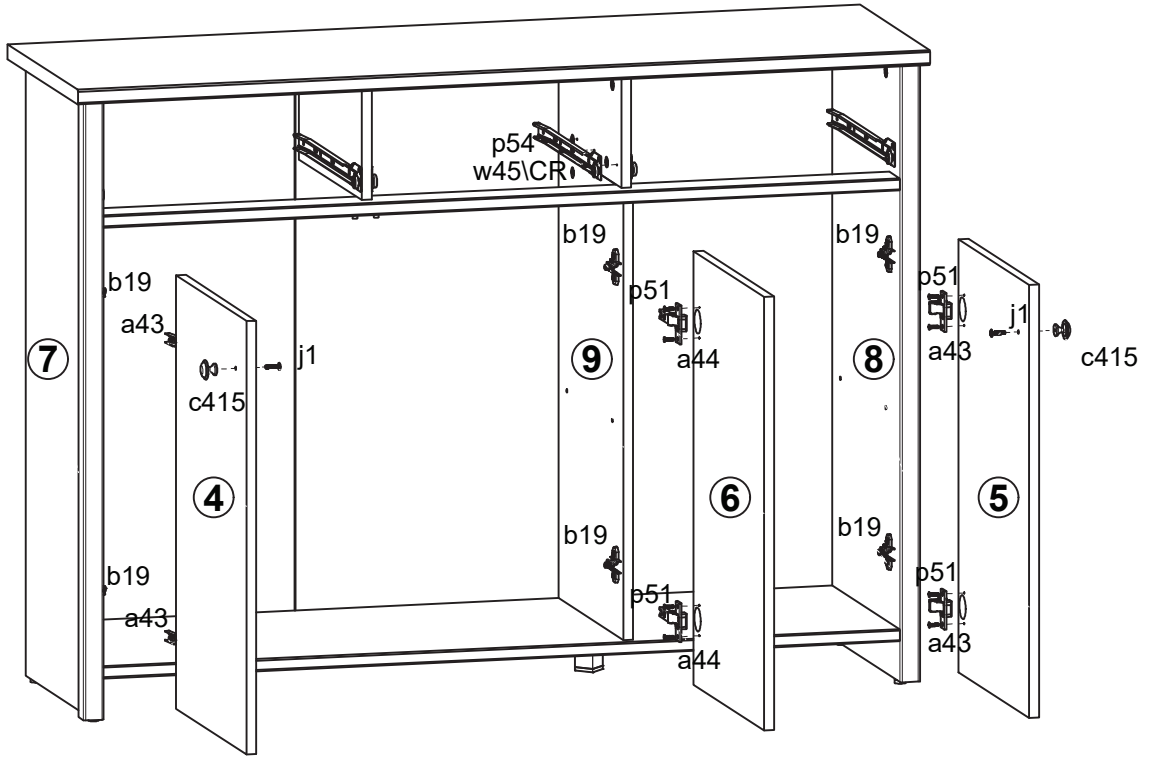
# 4



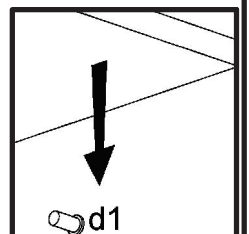
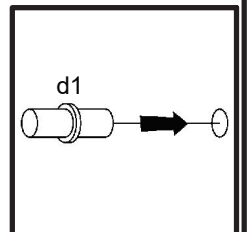
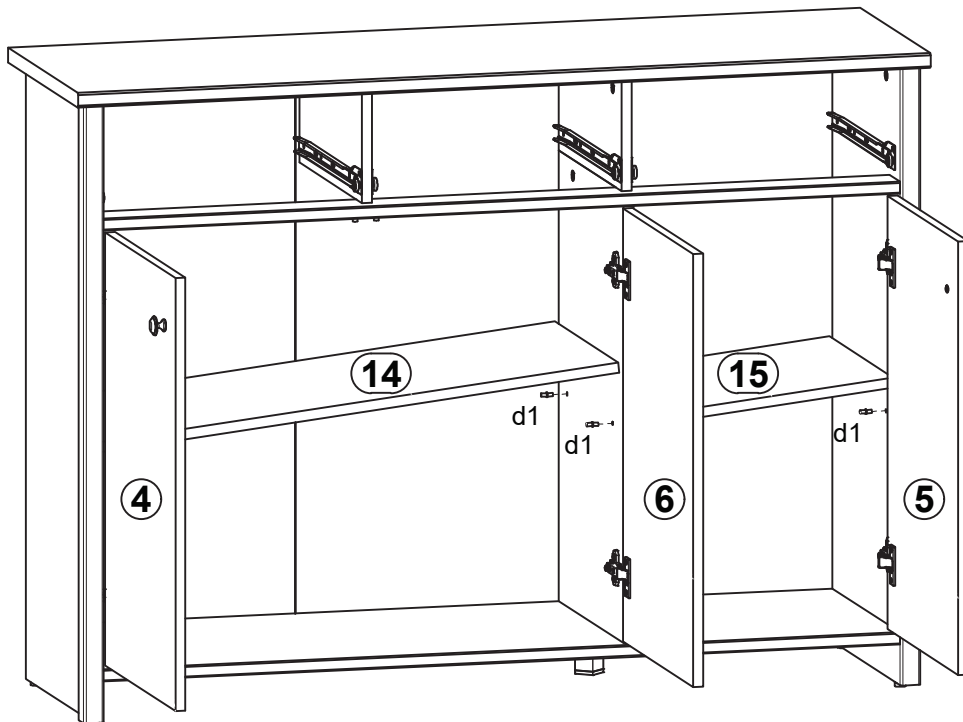
# 5



# 6

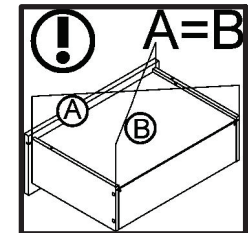
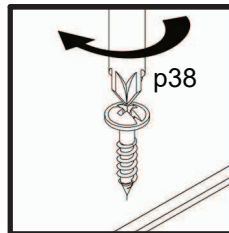
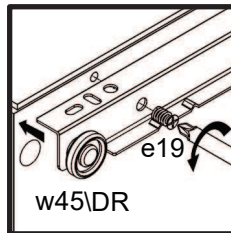
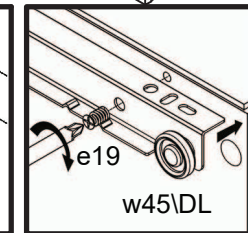
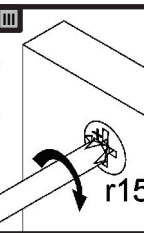
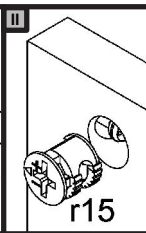
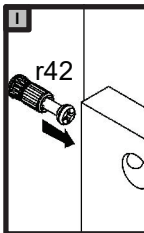
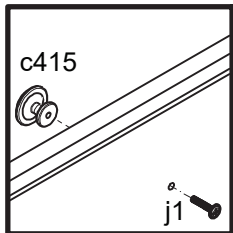
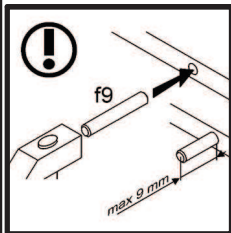
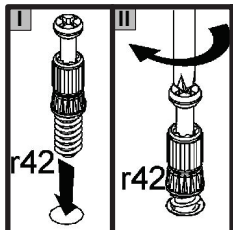
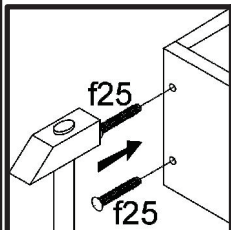
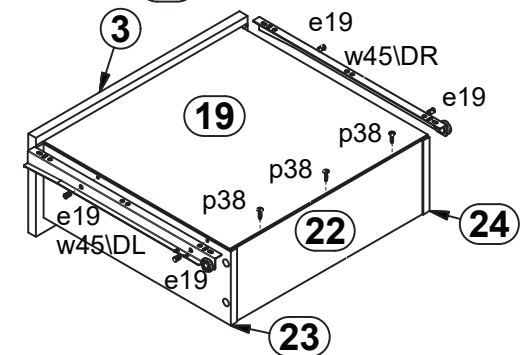
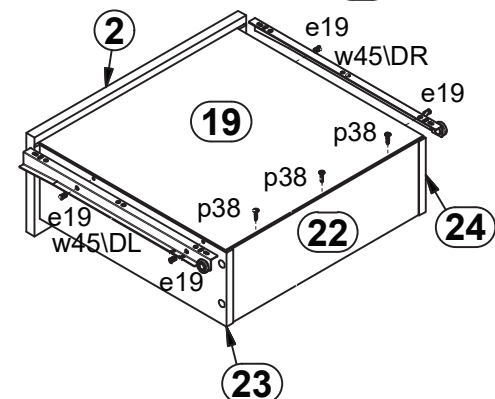
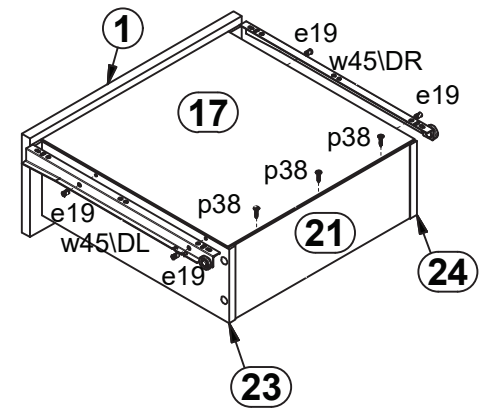
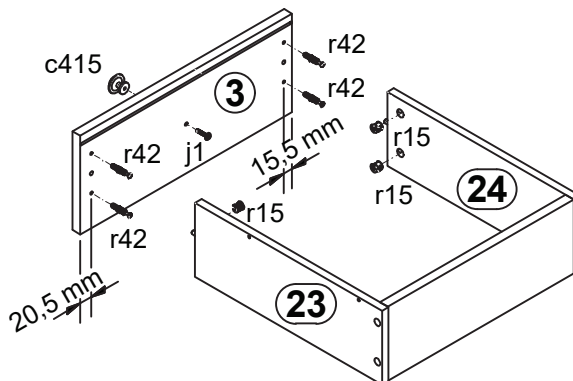
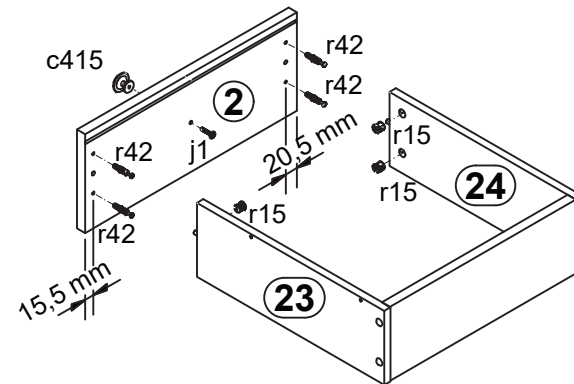
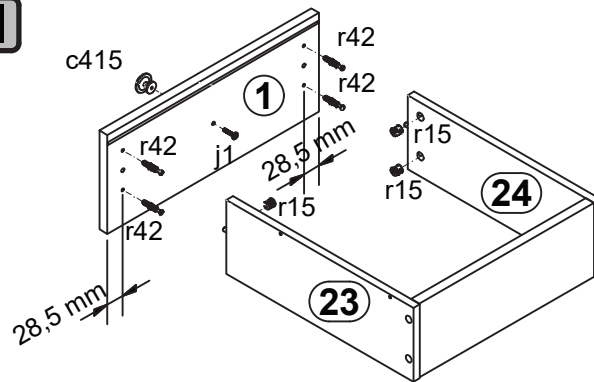
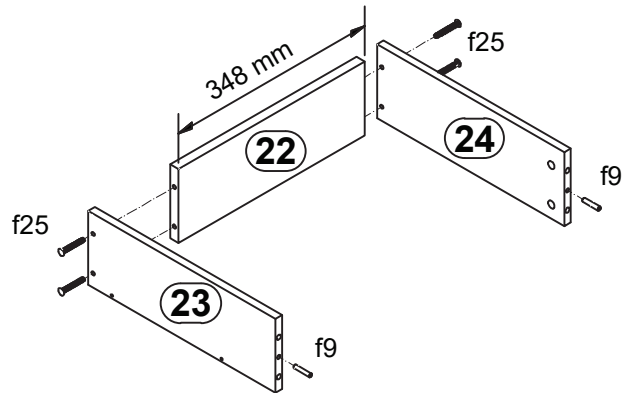
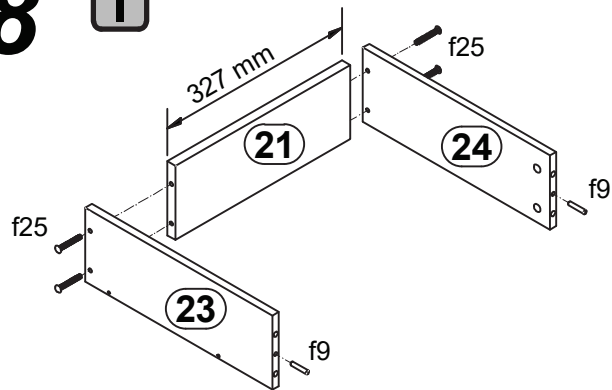


# 7





# 8



# 9

