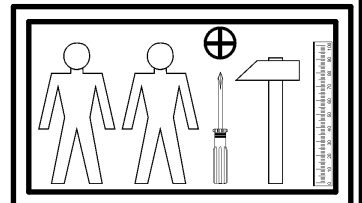
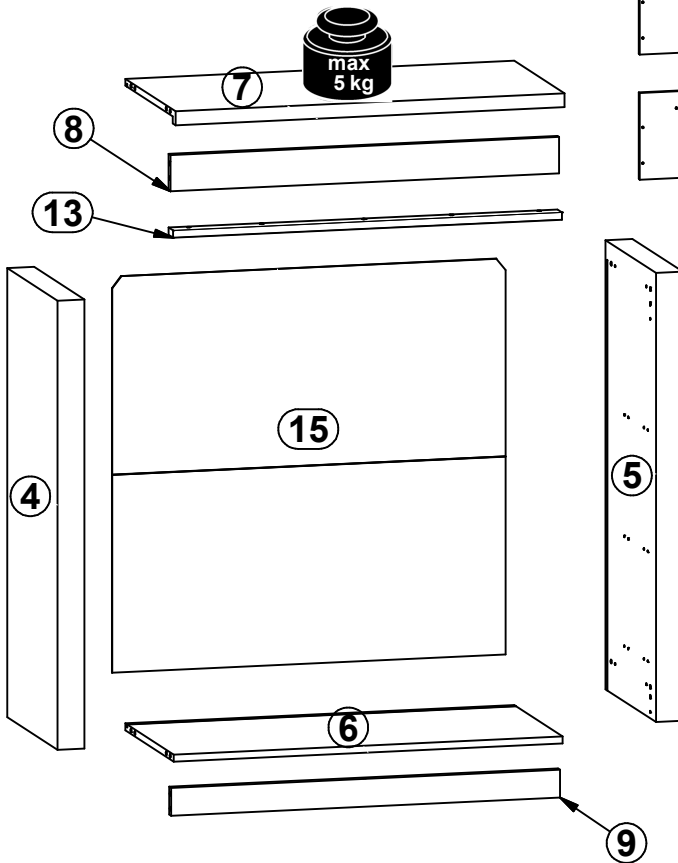
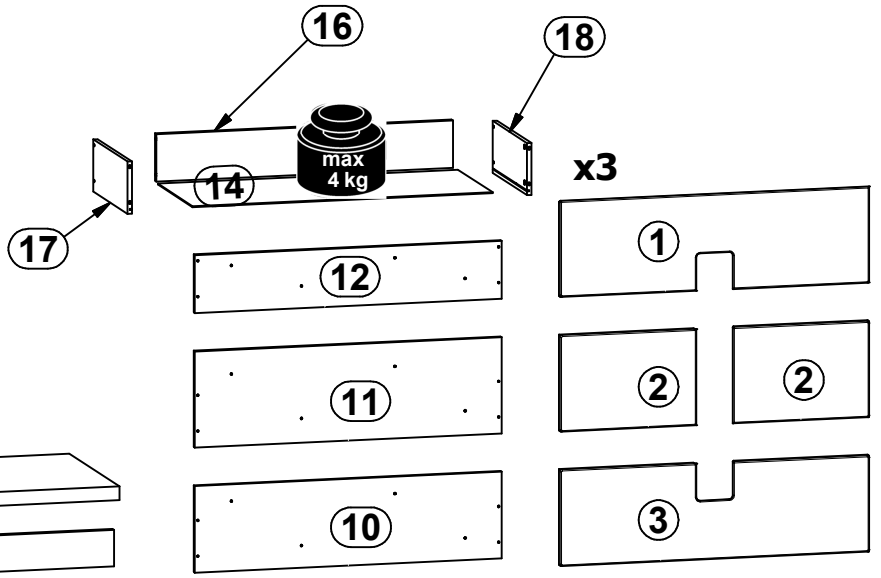
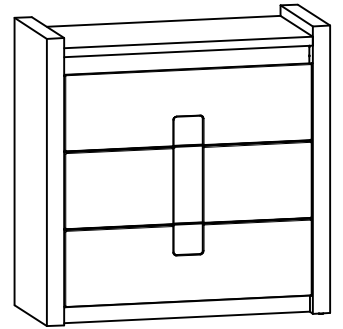
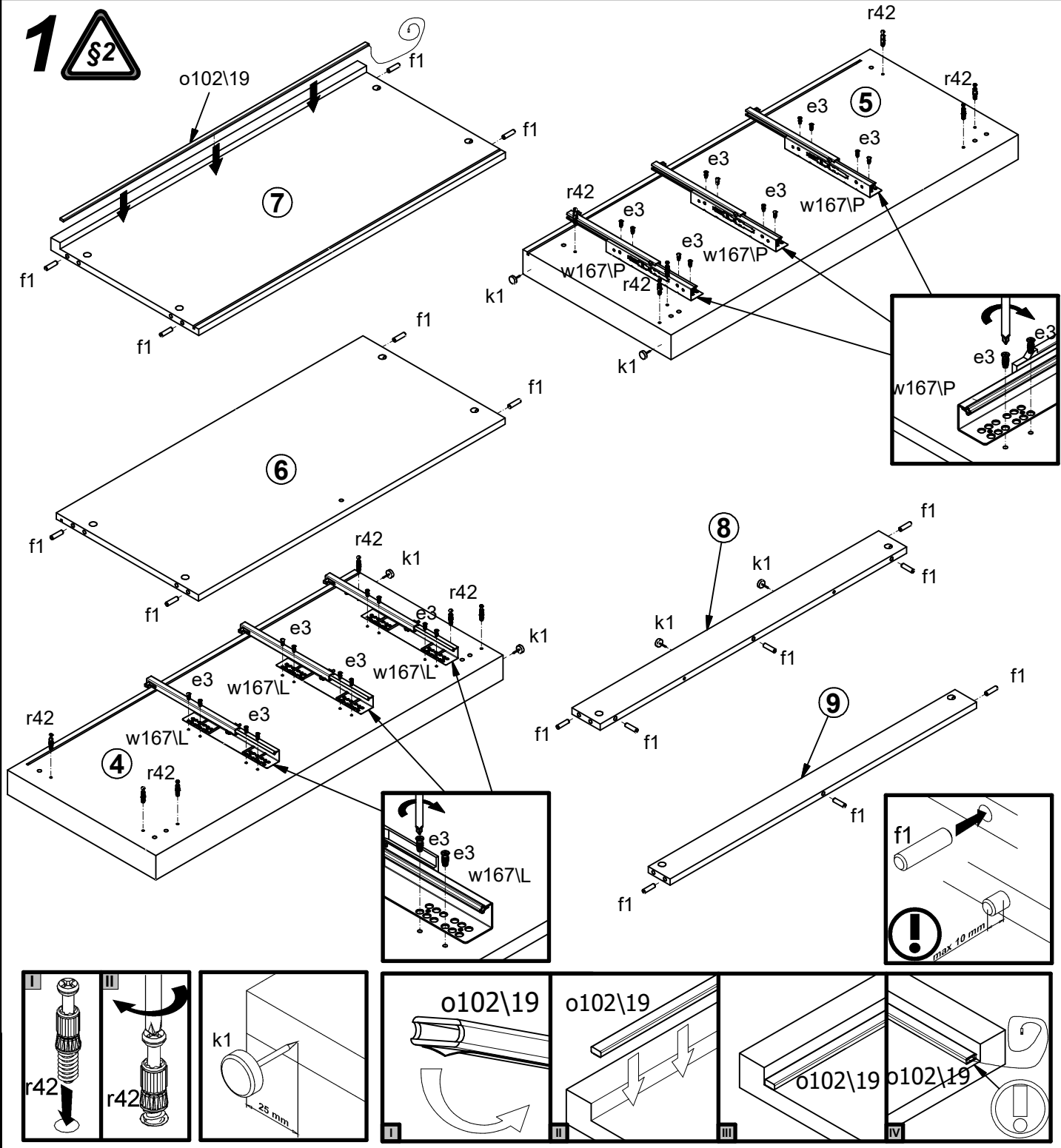


A	B	C	D	
1	S420-0014	846	258	2/2
2	S420-0016	373	258	2/2
3	S420-0017	846	258	2/2
4	S420-1014	965	412	1/2
5	S420-1015	965	412	1/2
6	S420-3014	852	395	1/2
7	S420-3015	852	411	1/2
8	S420-4022	852	78	1/2
9	S420-4024	852	60	1/2
10	S420-4025	840	233	2/2
11	S420-4026	840	258	2/2
12	S420-4027	840	156	2/2
13	S420-5001	852	37	1/2
14	S420-9010	822	355	2/2
15	S420-9303	862	851	1/2
16	ZQ6-5027	812	127	2/2
17	ZQ6-511	350	140	2/2
18	ZQ6-512	350	140	2/2

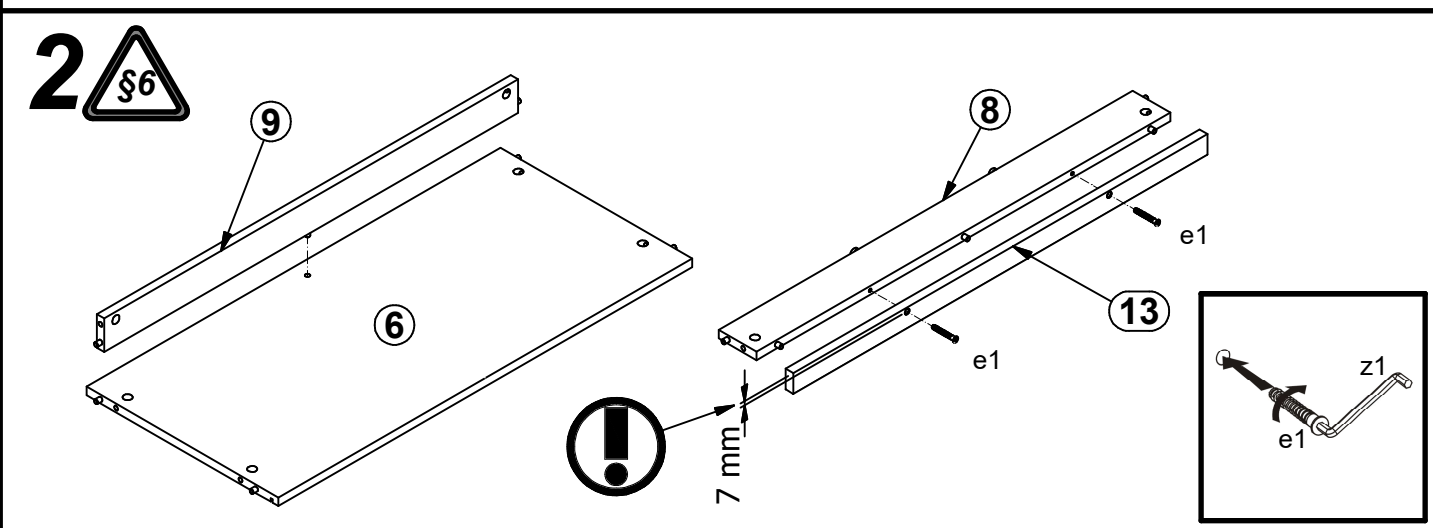


2x Ø7x50 mm e1	24x Ø6x13 mm e3	16x Ø8x30 mm f1	12x Ø6.5x40 mm f25	6x k1	8x l2	1x Ø70/9	1x 10x18 mm Ø83/4	1x L=848 mm Ø102/19		
12x Ø4x25 mm p8	3x Ø3.5x16 mm p25	3x Ø3.5x10 mm p35	12x Ø3.5x16 mm p38	6x Ø2.9x16 mm p55	12x Ø15x12 mm #16 r1	12x Ø12x10.5 mm #12 r15	24x 20/11 r42	3x 350 mm t35		
3x 350mm w167/P	3x 350mm w167/L	2x s1	1x 4 mm z1						1x n26	1x Ø3.5x16 mm p38

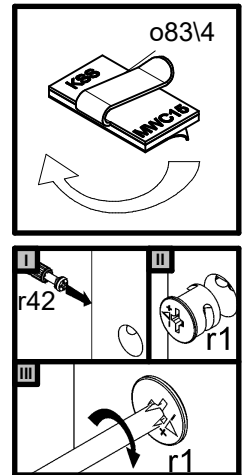
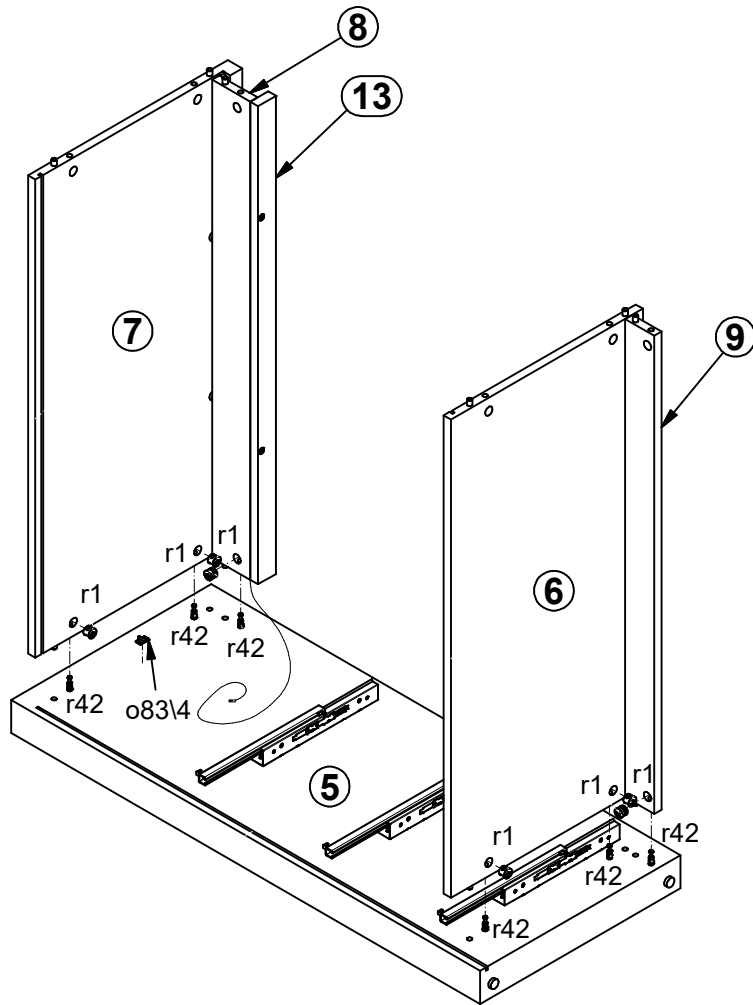
1



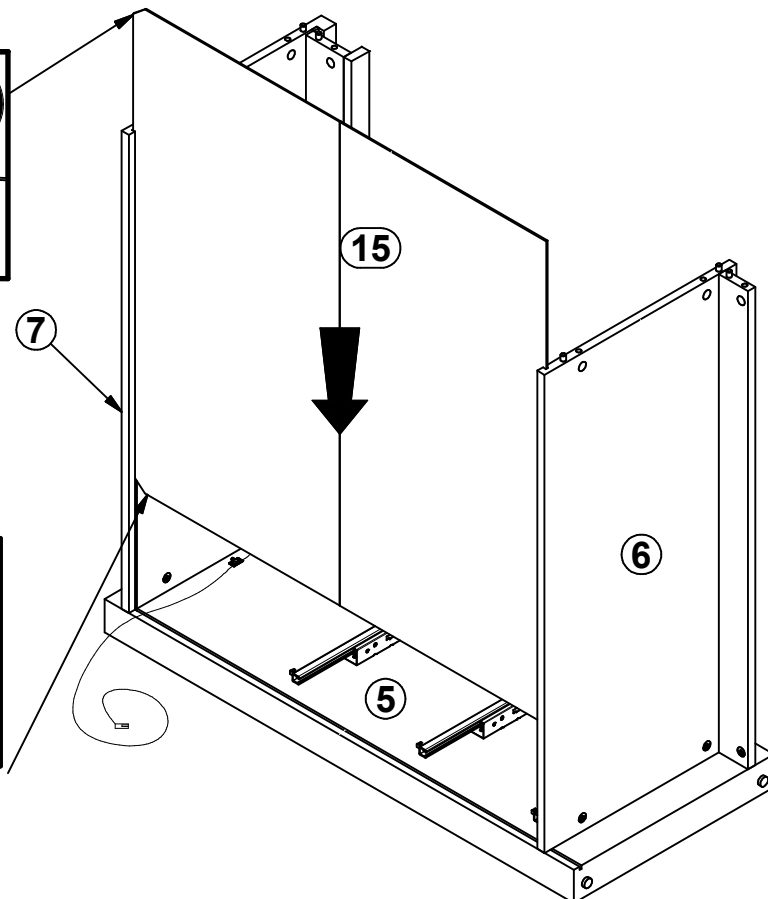
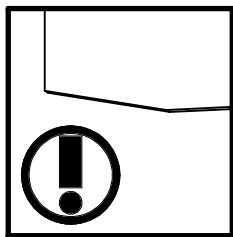
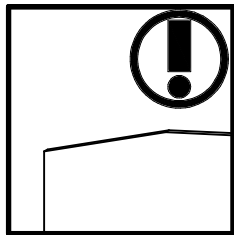
2



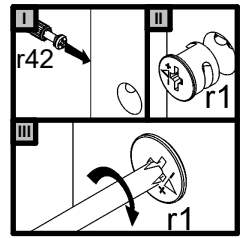
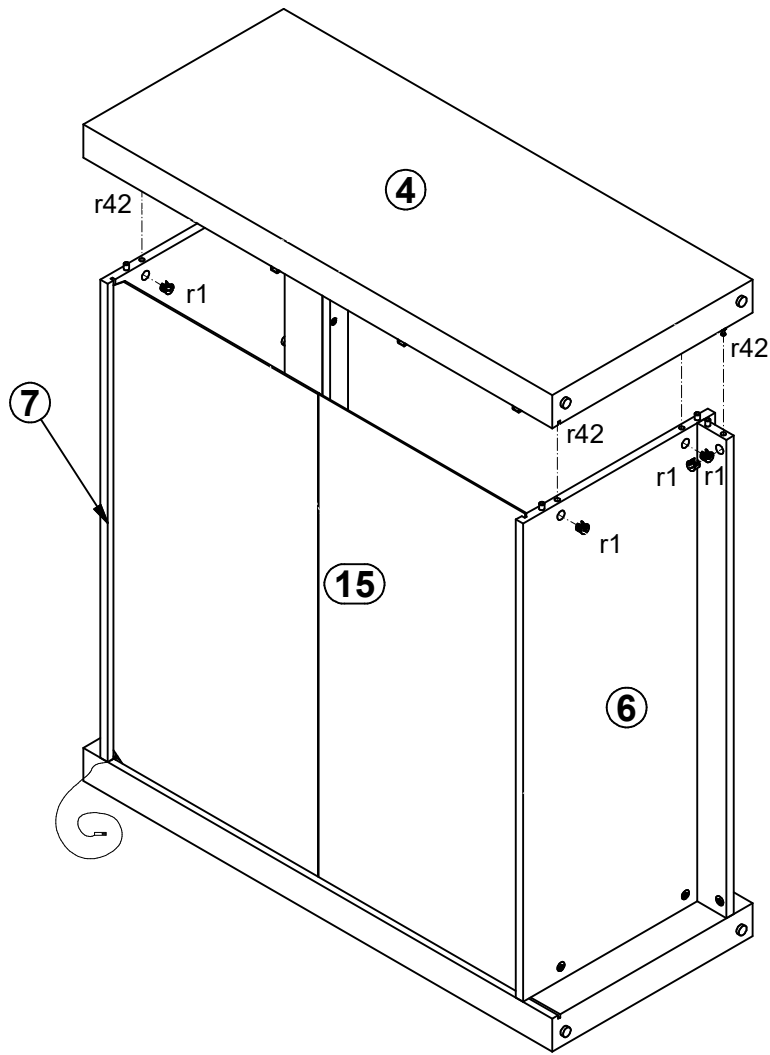
3



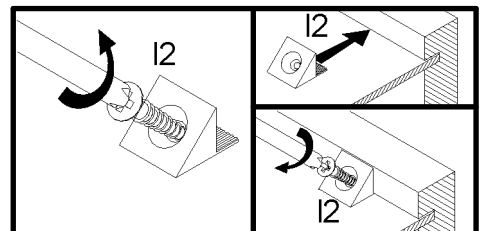
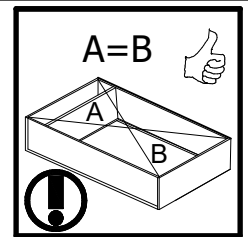
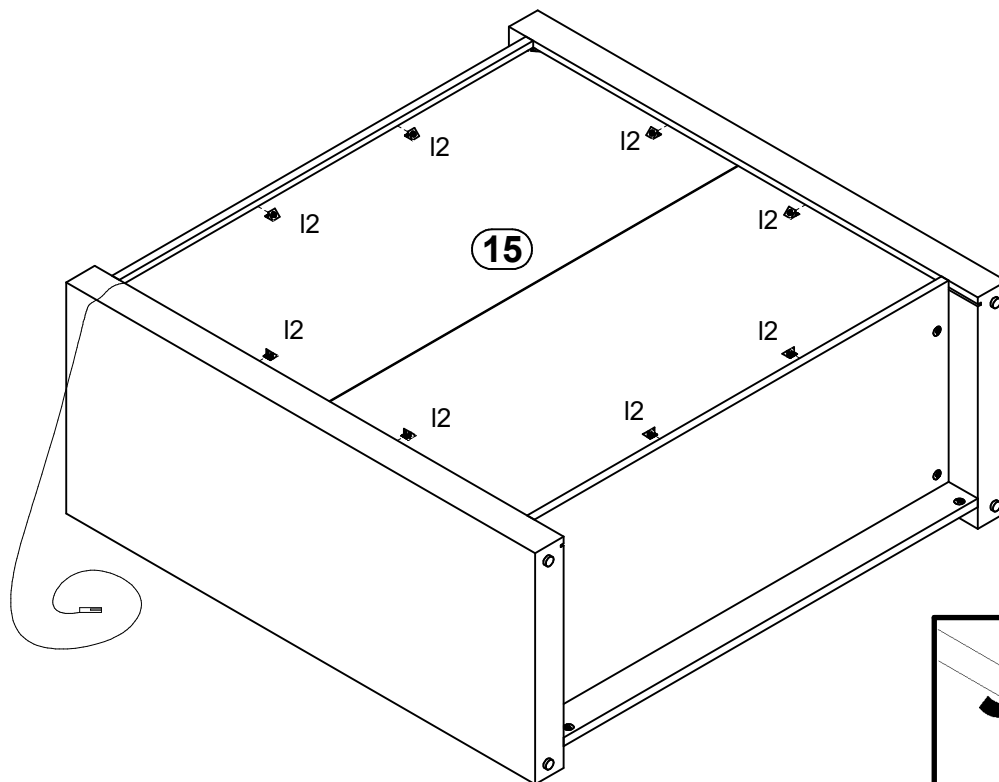
4

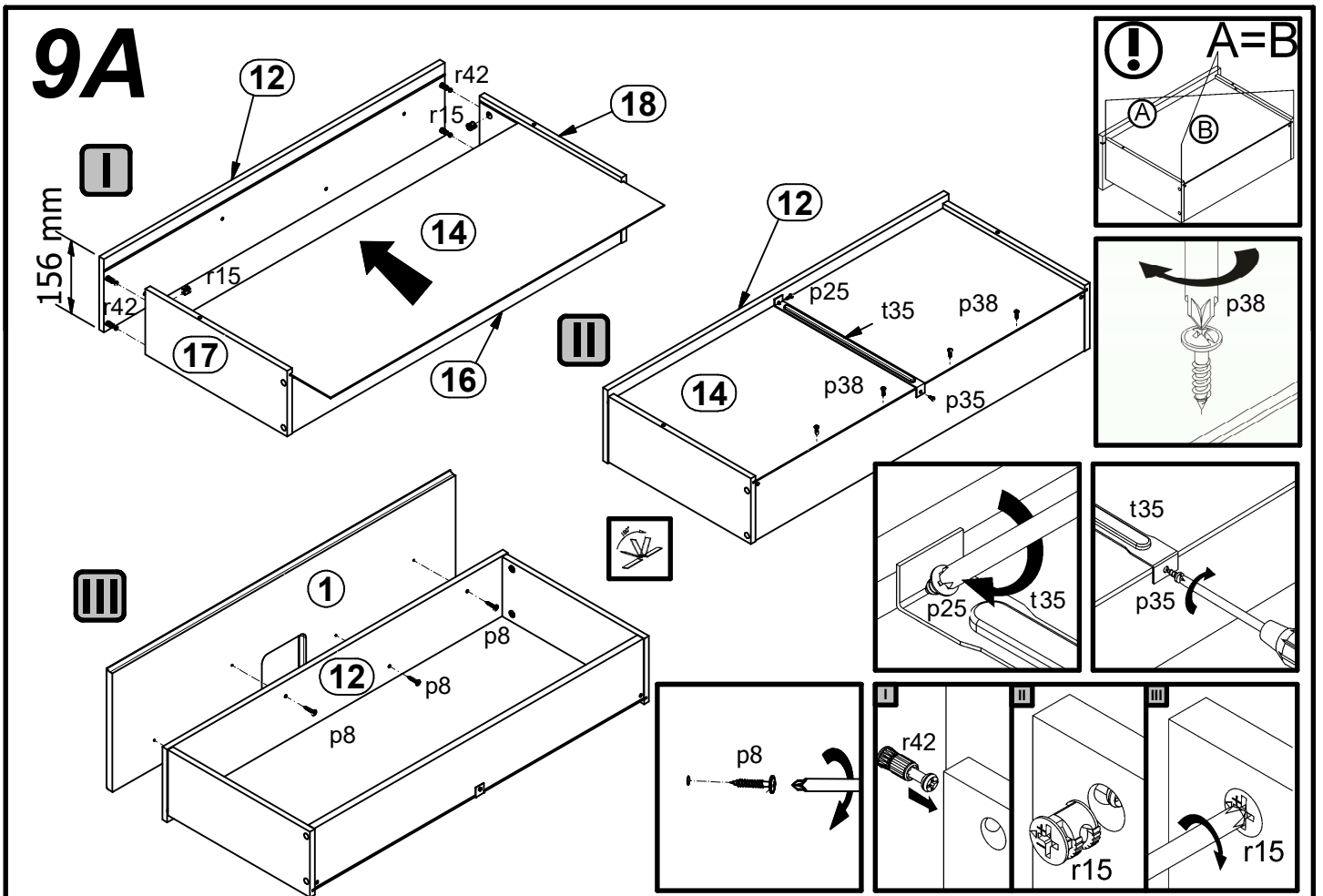
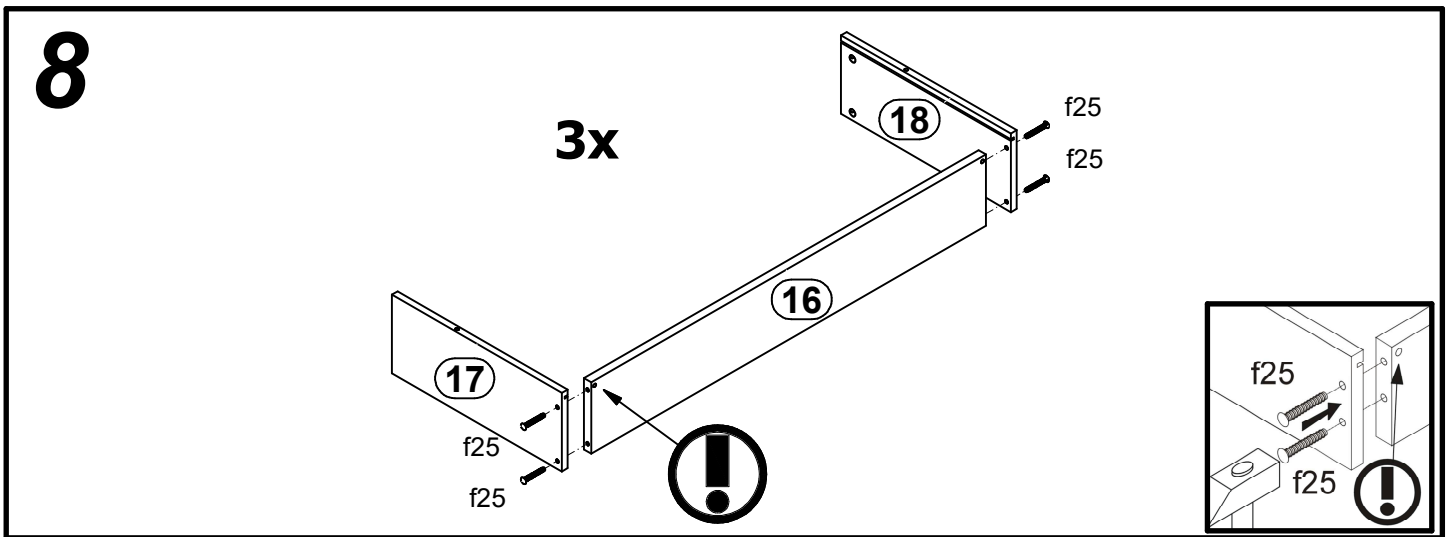
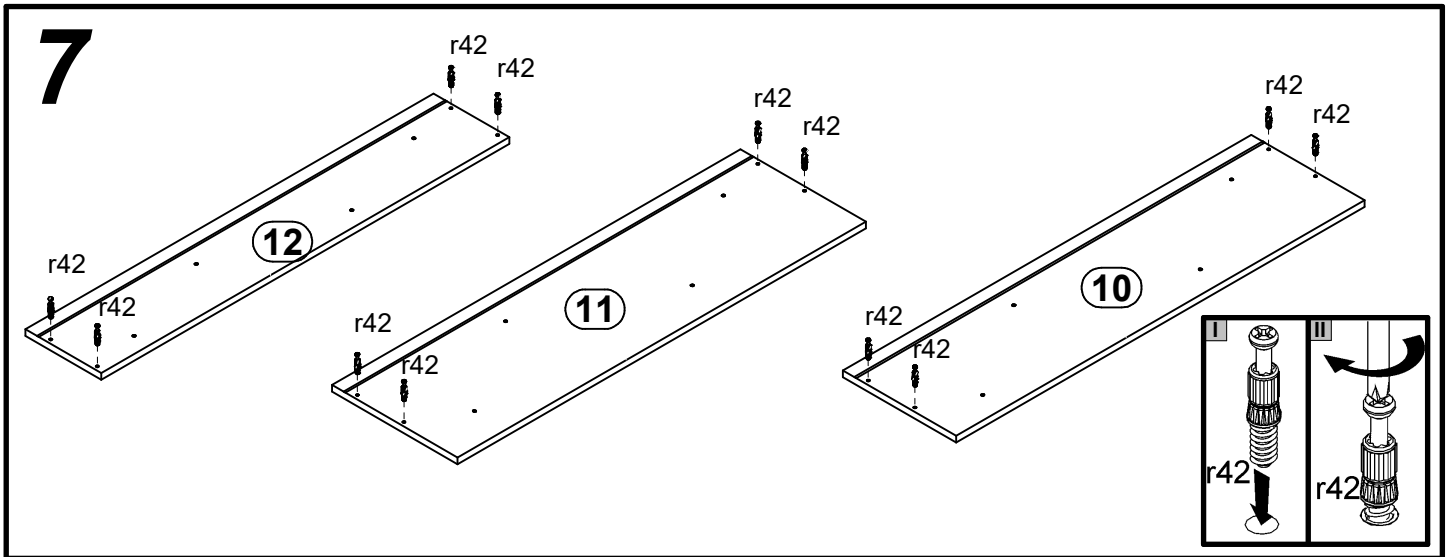


5

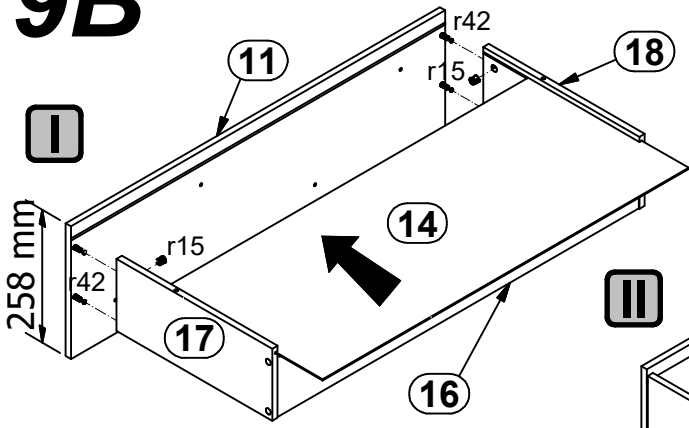


6

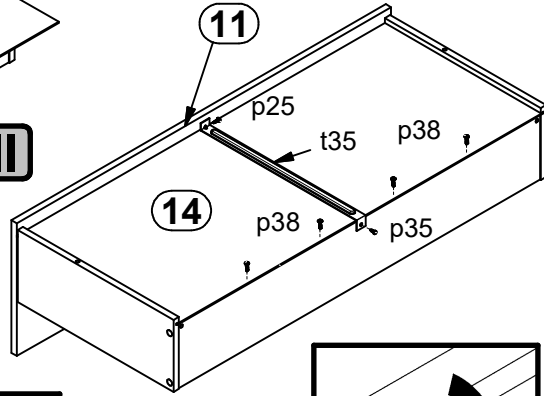




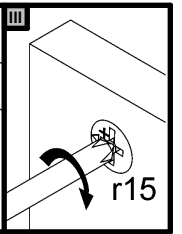
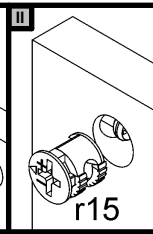
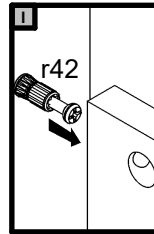
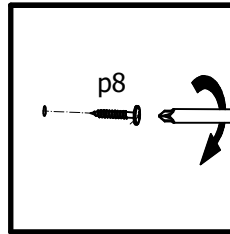
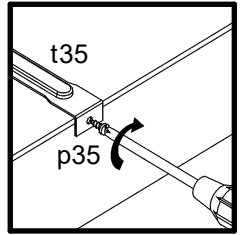
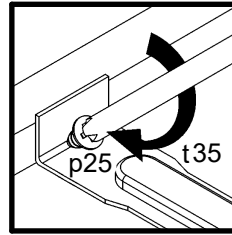
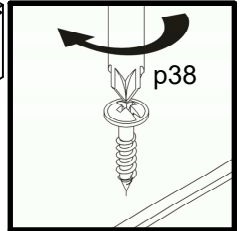
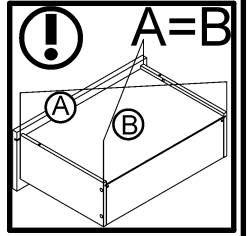
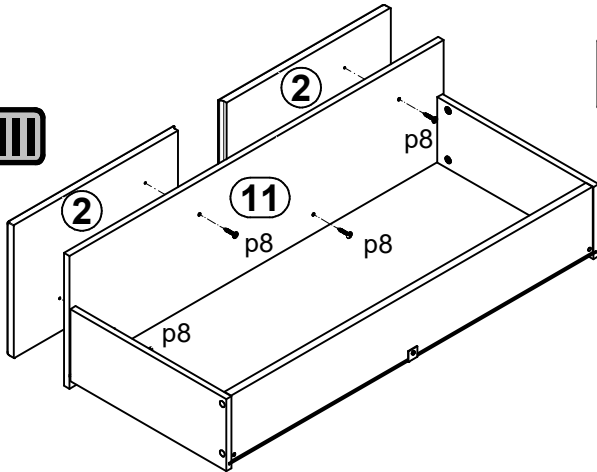
9B



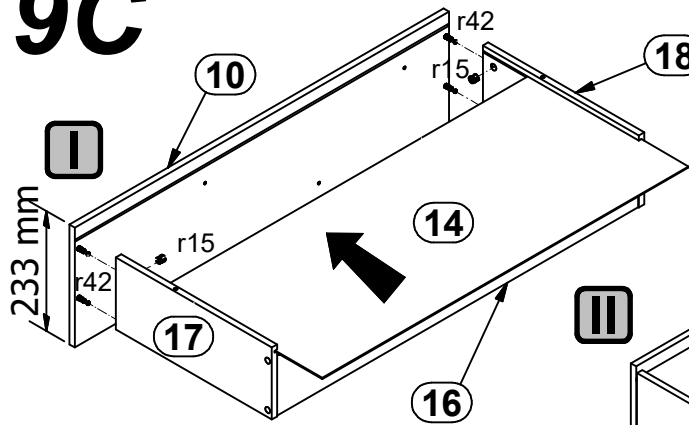
II



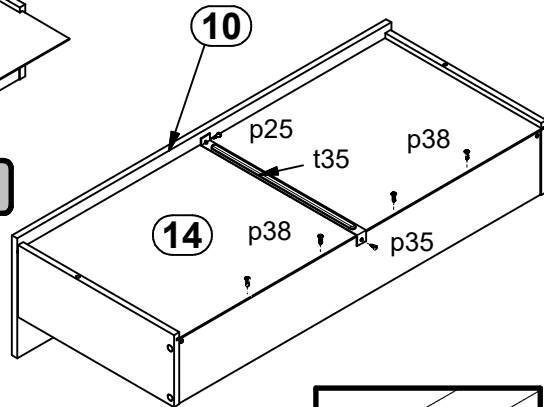
III



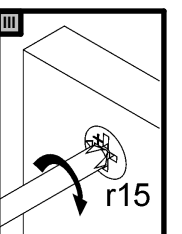
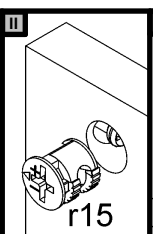
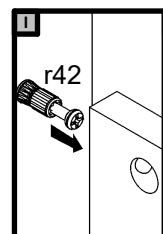
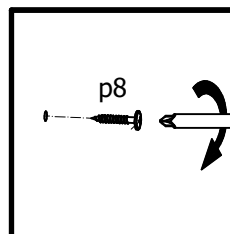
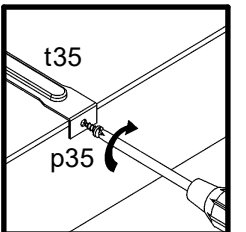
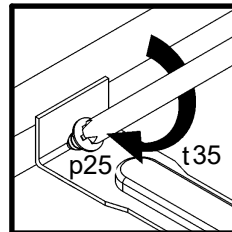
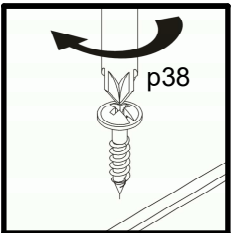
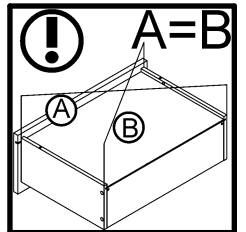
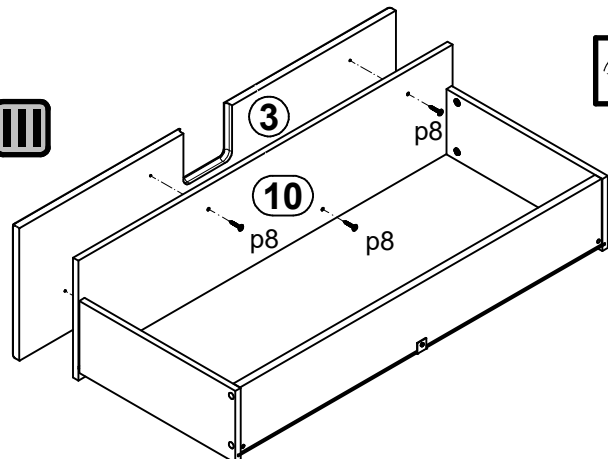
9C



II



III



10

