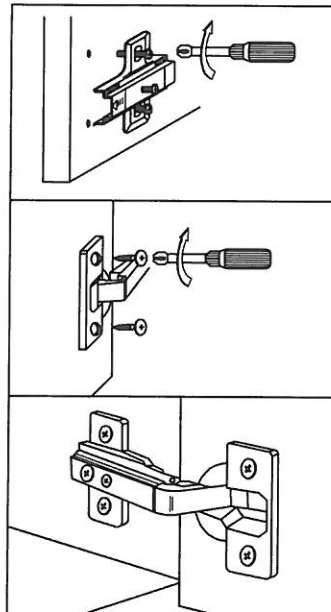
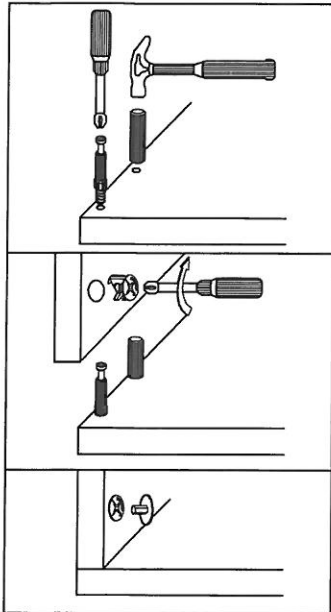
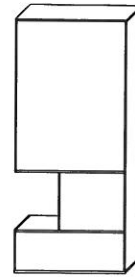
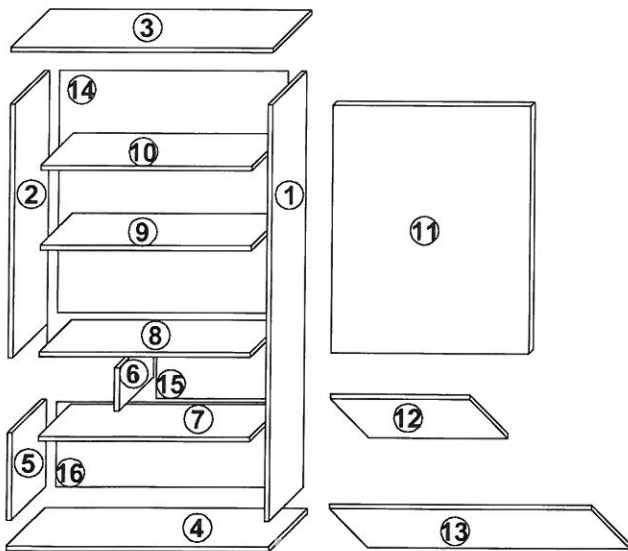


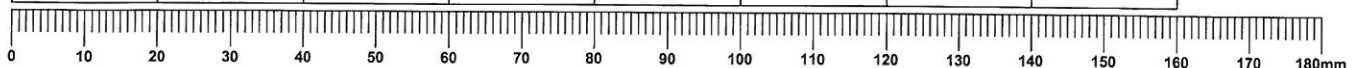
TORI - SZAFKA PRAWA



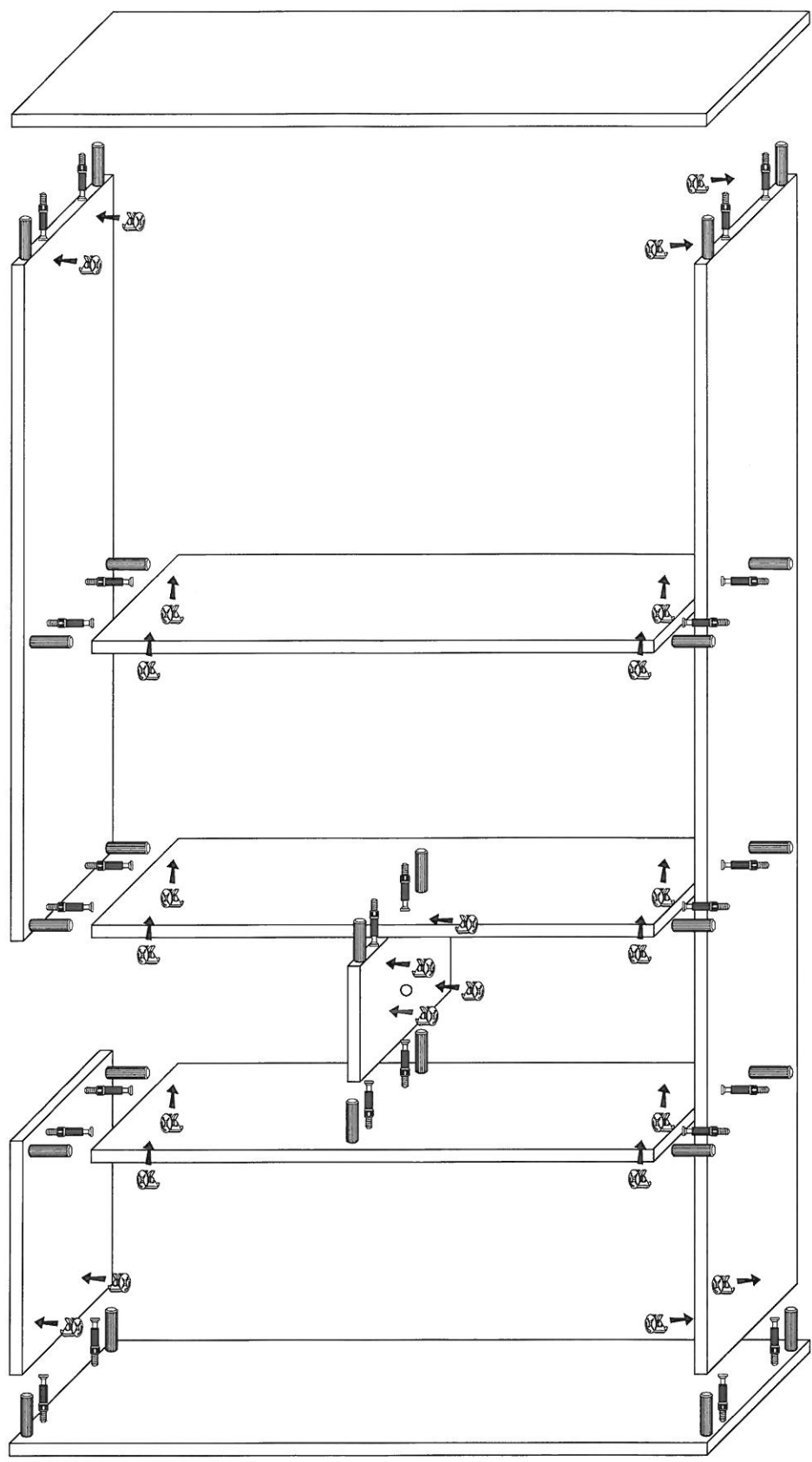
| Symbol elementu | Wymiary |
|-----------------|------------|
| 1 | 1568 x 334 |
| 2 | 1079 x 334 |
| 3 | 651 x 335 |
| 4 | 651 x 335 |
| 5 | 334 x 189 |
| 6 | 314 x 300 |
| 7 | 618 x 314 |
| 8 | 618 x 314 |
| 9 | 618 x 314 |
| 10 | 618 x 310 |
| 11 | 1090 x 646 |
| 12 | 354 x 298 |
| 13 | 646 x 200 |
| 14 | 1076 x 630 |
| 15 | 348 x 315 |
| 16 | 630 x 188 |



| | | | | | | | | |
|----|----|----|-----|-------|-----|-------|-----|----|
| | | | | | | | | |
| T1 | M1 | Z1 | K30 | PP | ODB | W3x16 | RN | SN |
| 24 | 24 | 24 | 24 | 4 | 3 | 14 | 2 | 4 |
| | | | | | | | | |
| SS | ZW | Z9 | PZW | W4x16 | P2 | G2 | STB | |
| 1 | 5 | 2 | 7 | 24 | 10 | 10 | 9 | |



1



2

