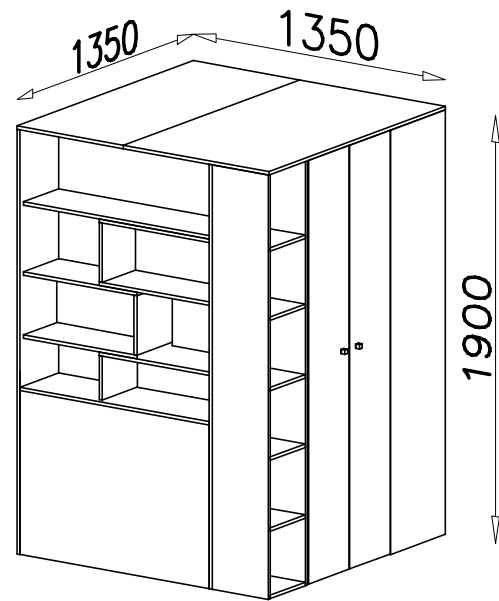
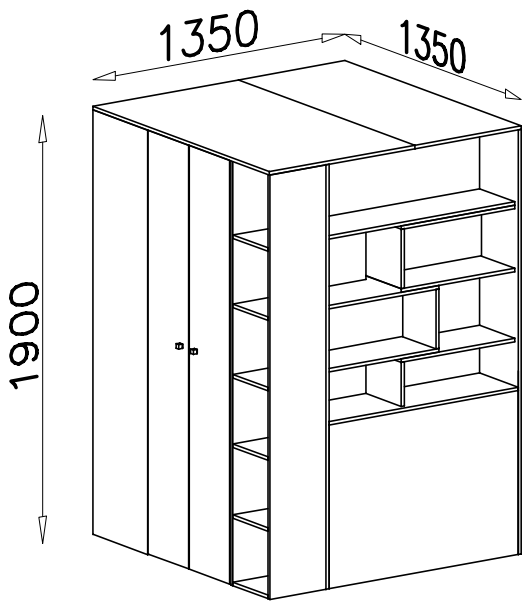
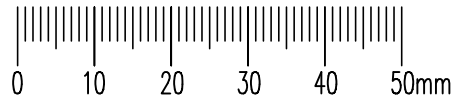
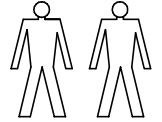
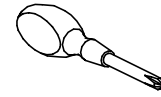
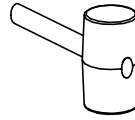
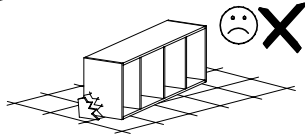
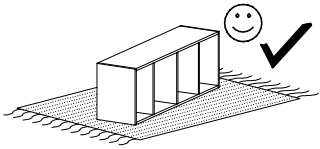

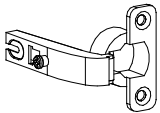
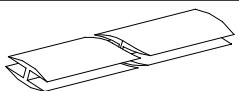

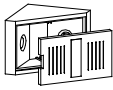

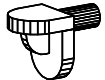

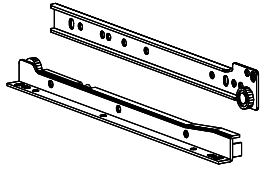

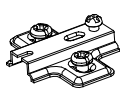
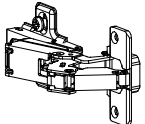
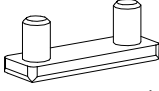
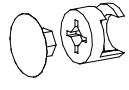


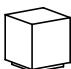
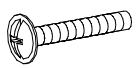
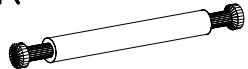


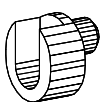
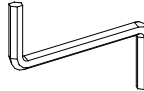

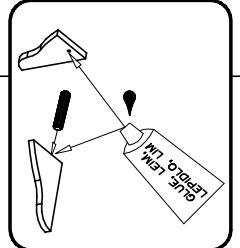
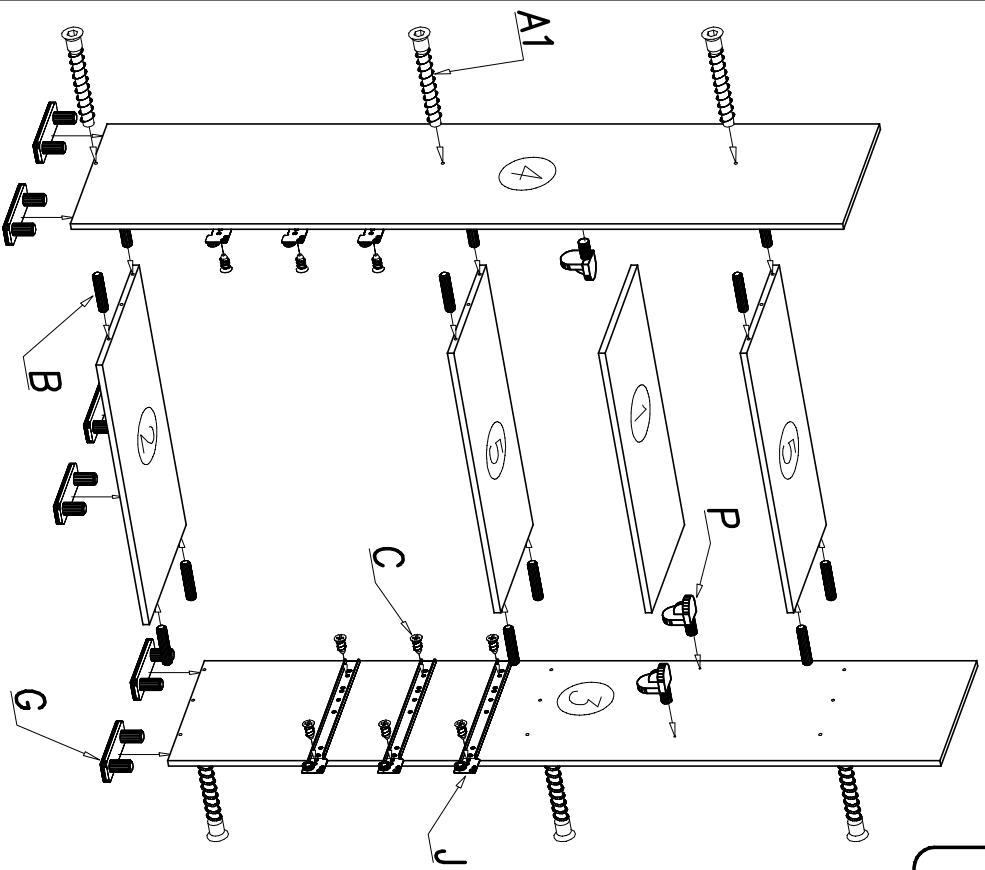


SIGMA SI 1L/P

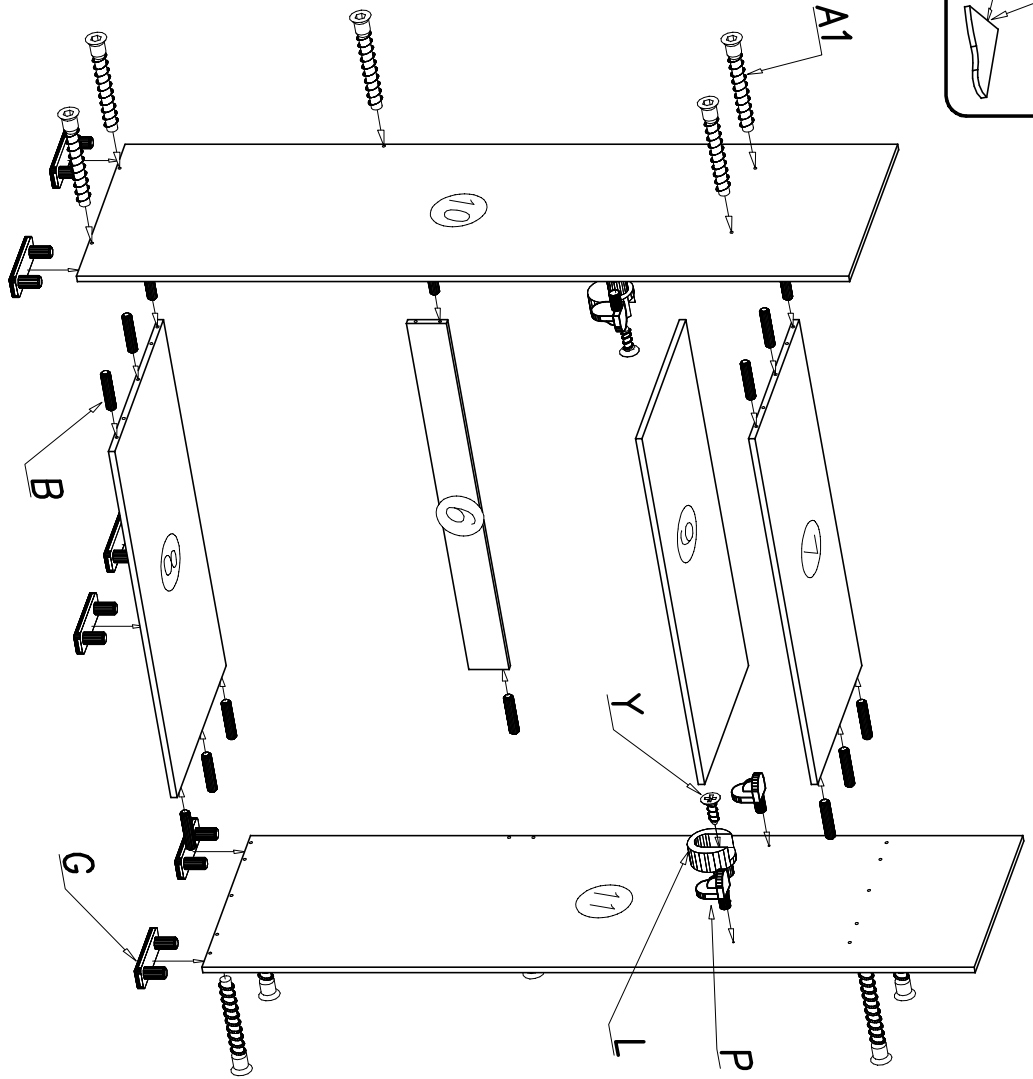


A5  $\varnothing 7 \times 60$ x5	M  x3	H  1860mm x2	X  1,6x16 x45	Q  x1
Y  3x13 x2	P  x18	T  4x16 x32	J  35cm x3	C  6x13 x12
F  x3	D  x3	G  x22	K  x6	
W  x7	E  3x20 x110	U  x2	N  M4x22 x4	R  x3
A1  $\varnothing 7 \times 50$ x56	B  x150	L  x2	Z  x1	S  1004mm x1

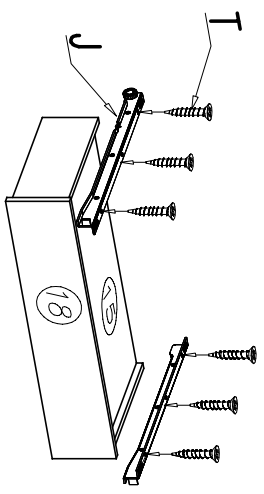
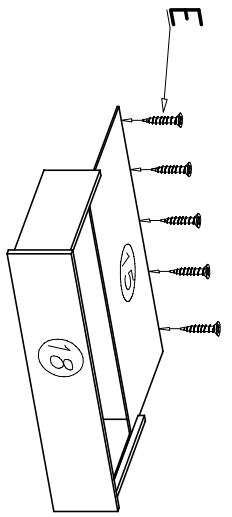
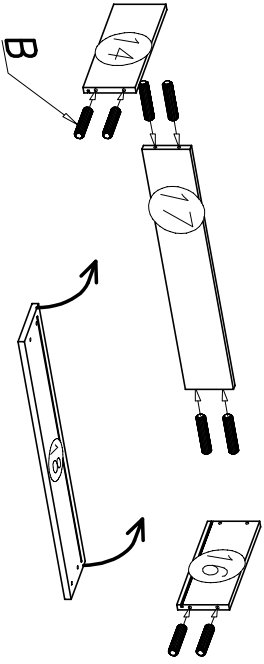
I



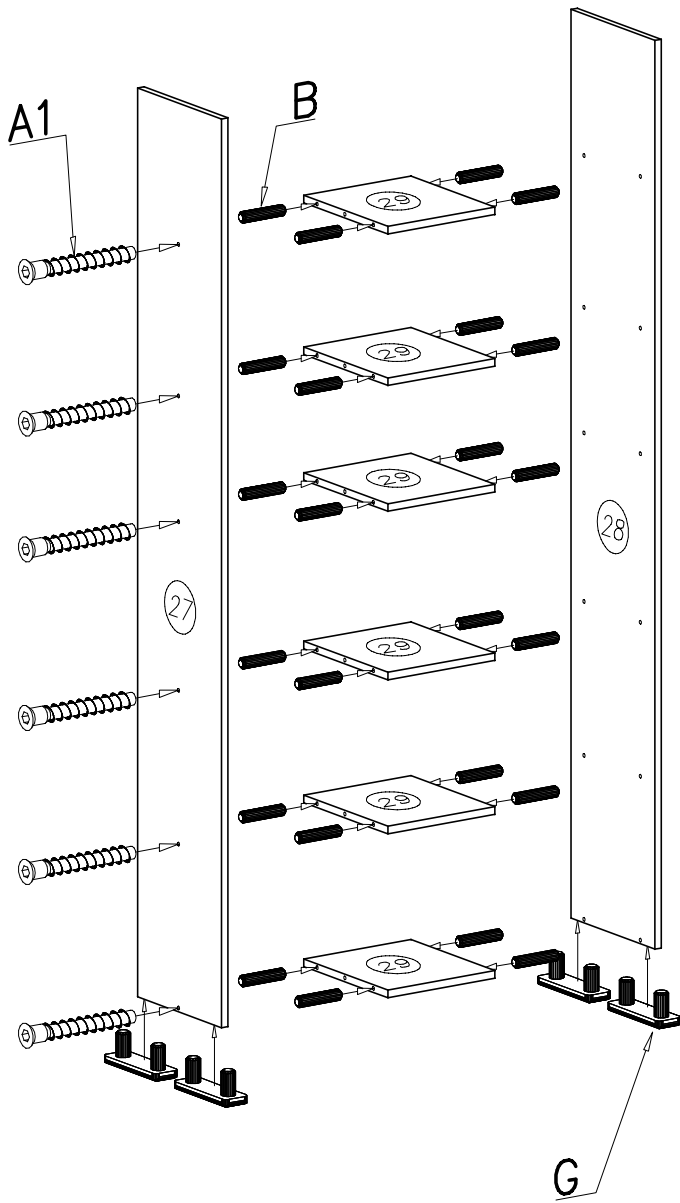
II



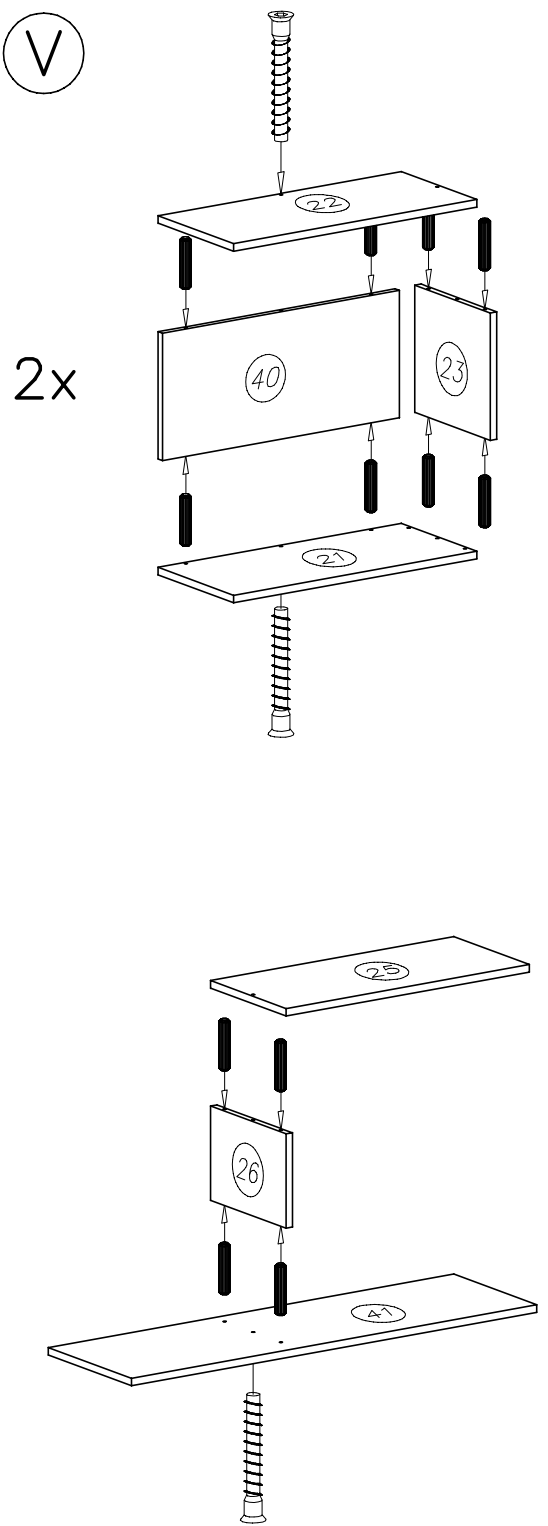
III



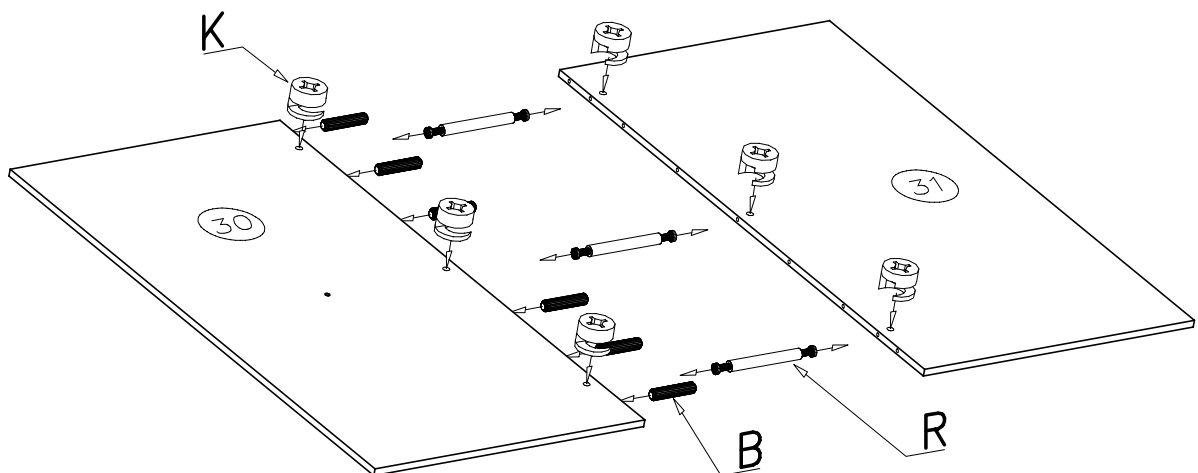
IV



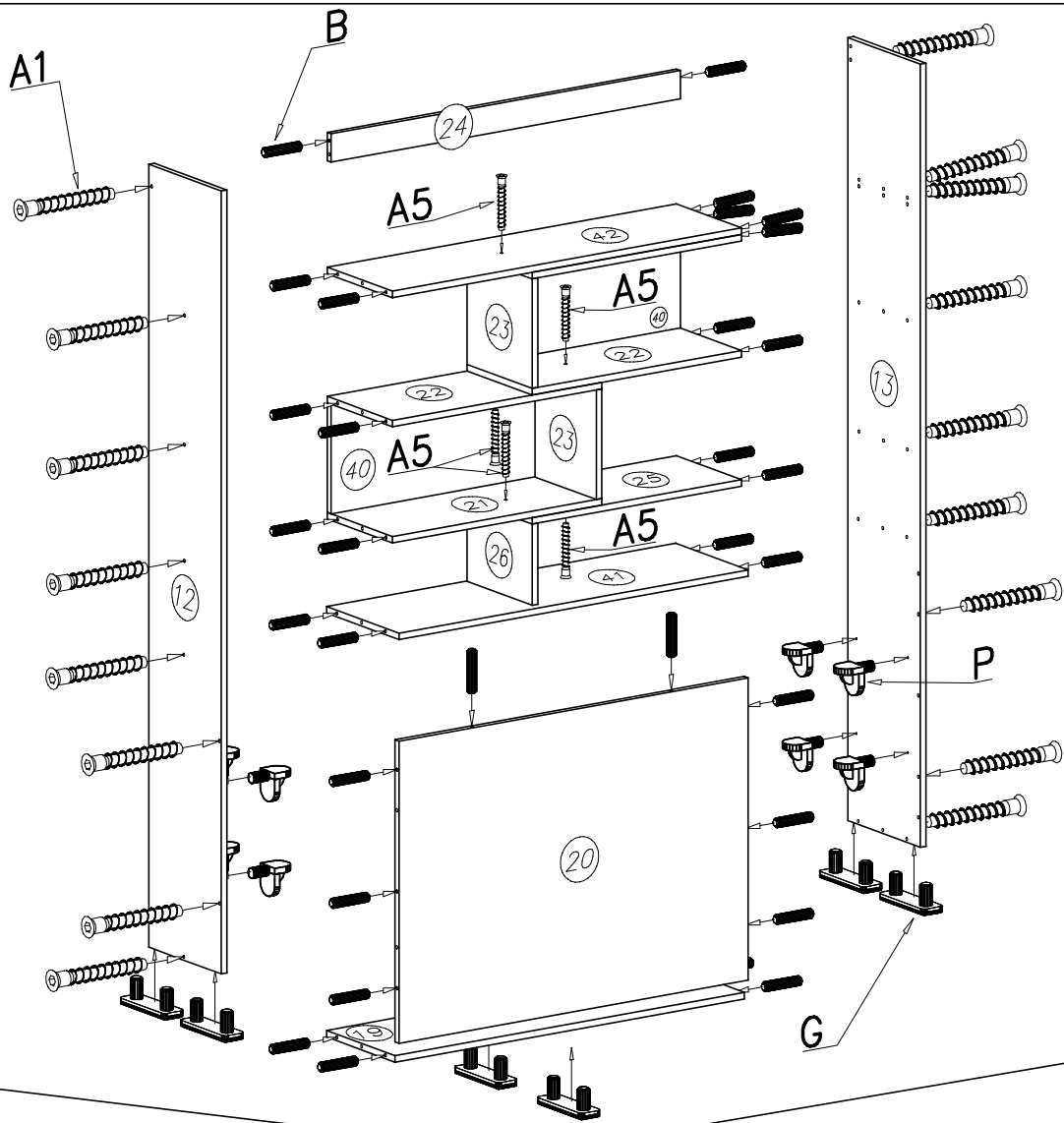
V



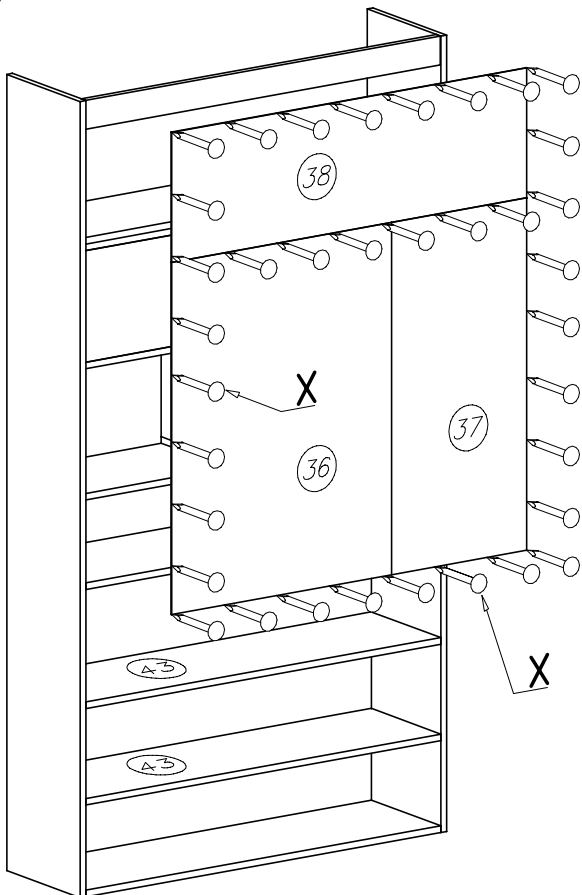
VI



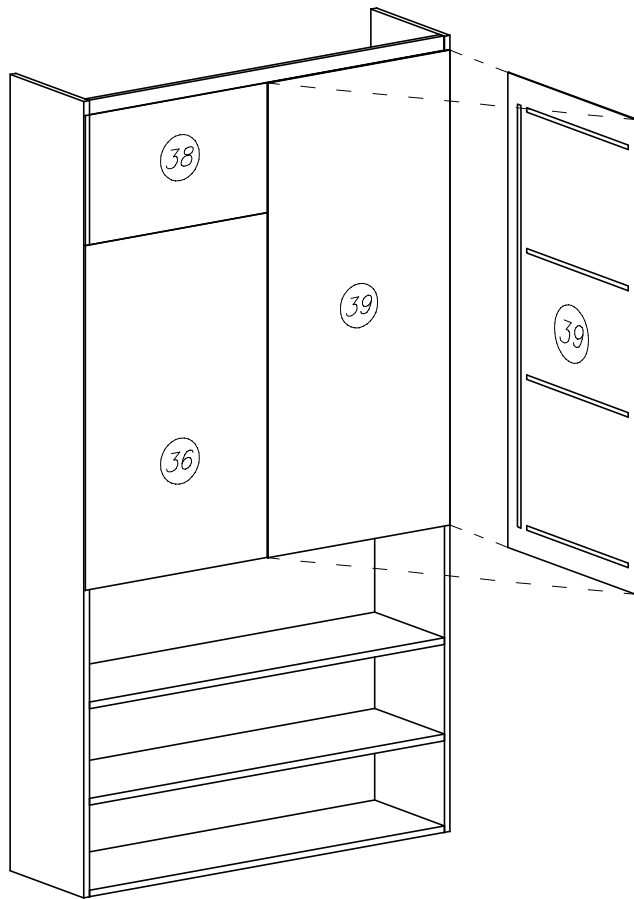
VII



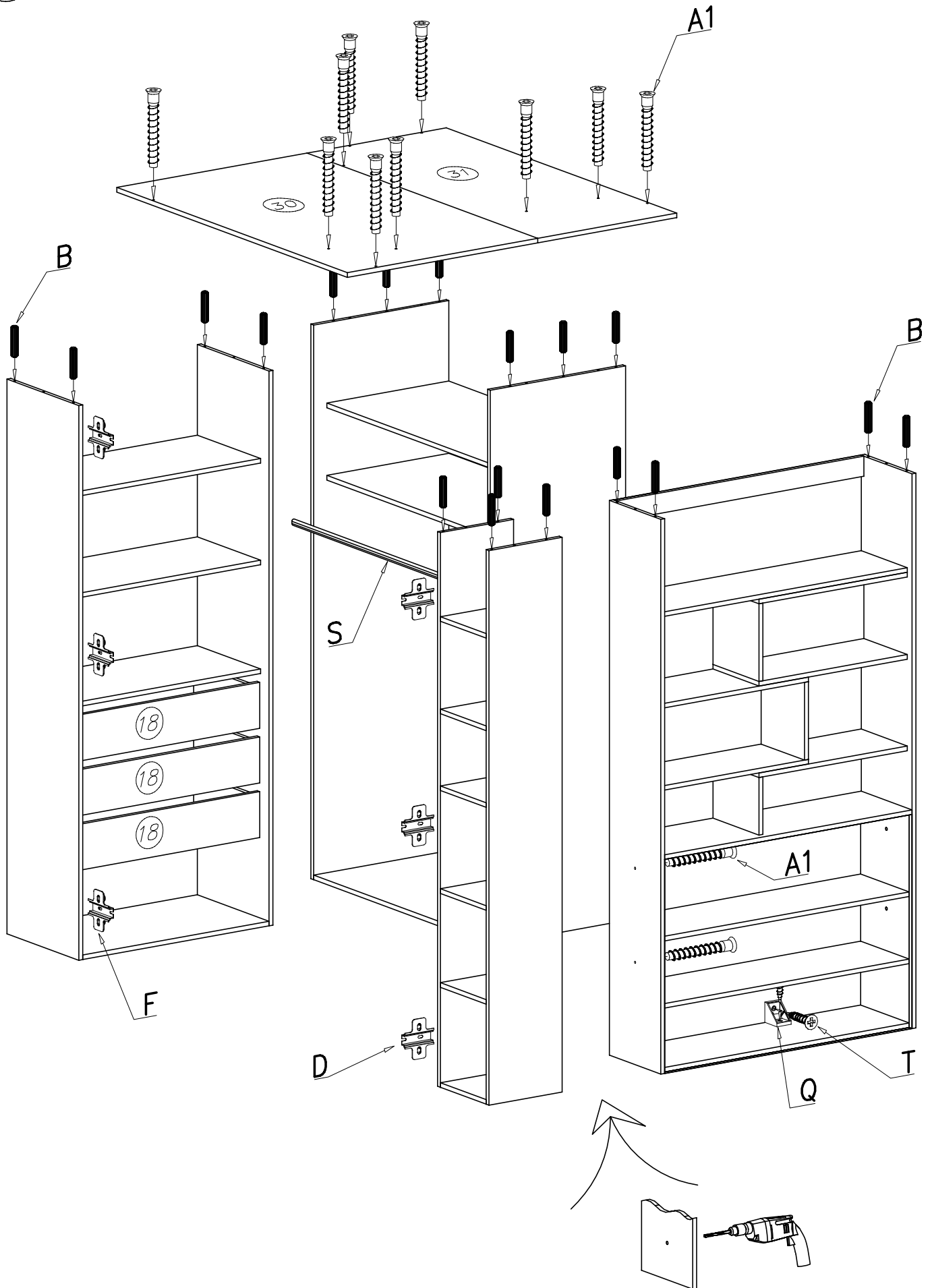
VIII



IX



(X)



(XI)

