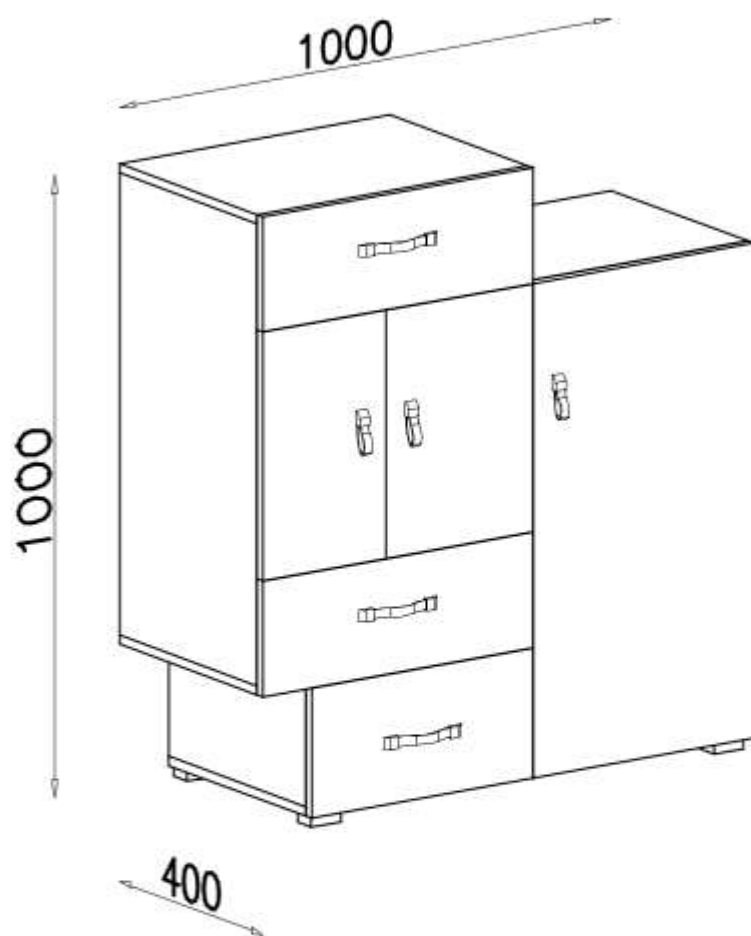



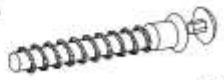


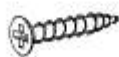













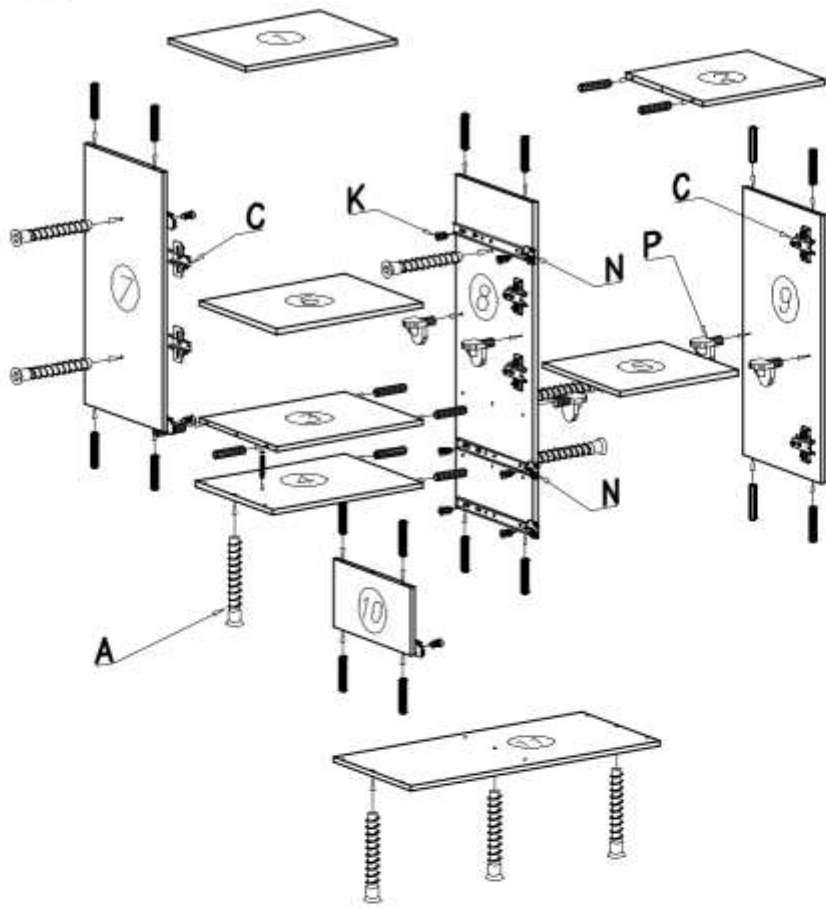
system
KOMI

KM 7

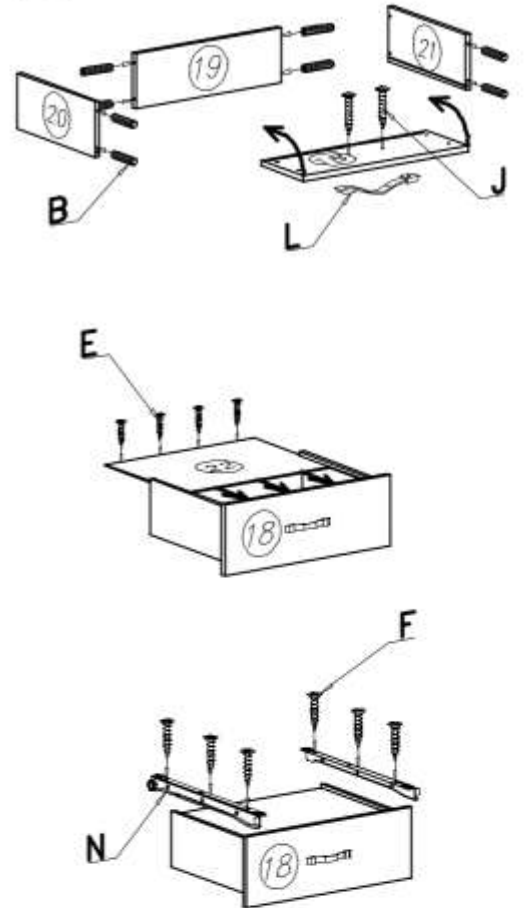


| | | | | |
|---|---|---|---|---|
| | H  M4 x 22 x3 | L  x3 | P  x8 | A  x9 |
| J  M4 x 20 x6 | U  x3 | T  4 x 25 x10 | D  x6 | F  4 x 16 x30 |
| E  3 x 20 x70 | C  x6 | S  x12 | N  350mm x3 | |
| G  x5 | K  6 x 13 x12 | B  x48 | Y  KLEJ x2 | Z  x1 |

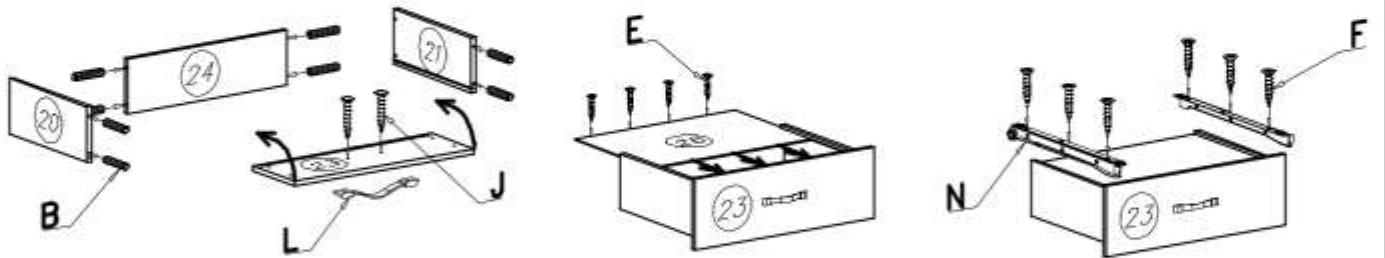
I



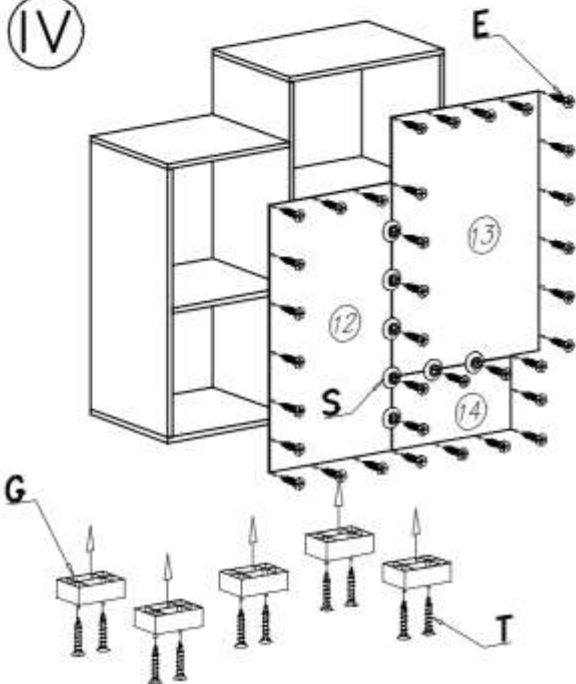
II



III



IV



V

