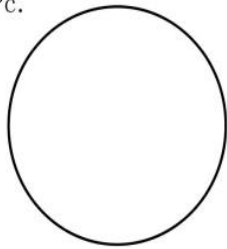


DOLORES B

1-1 Pc.



2-1 Pc.



3-1 Pc.



FITTINGS

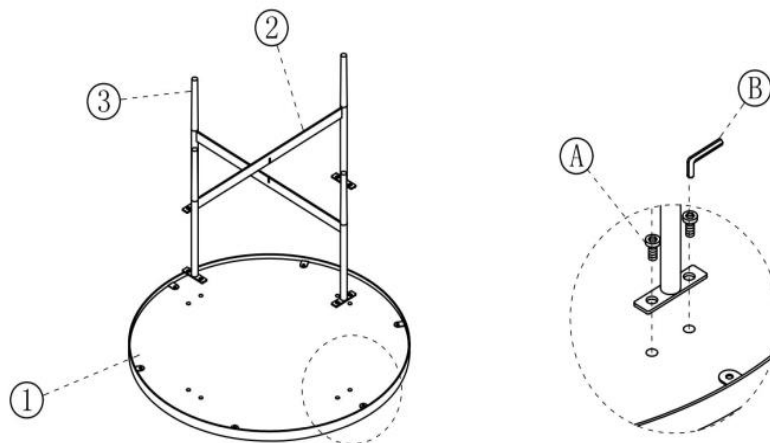
A-8Pcs



B-1Pc



1



2

