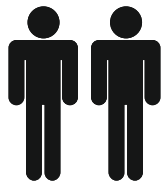
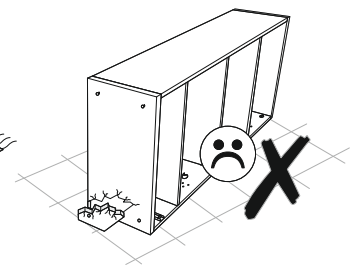
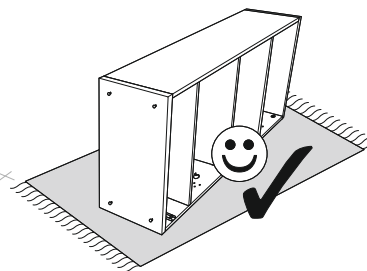
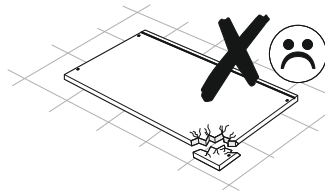
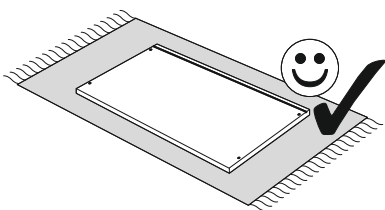
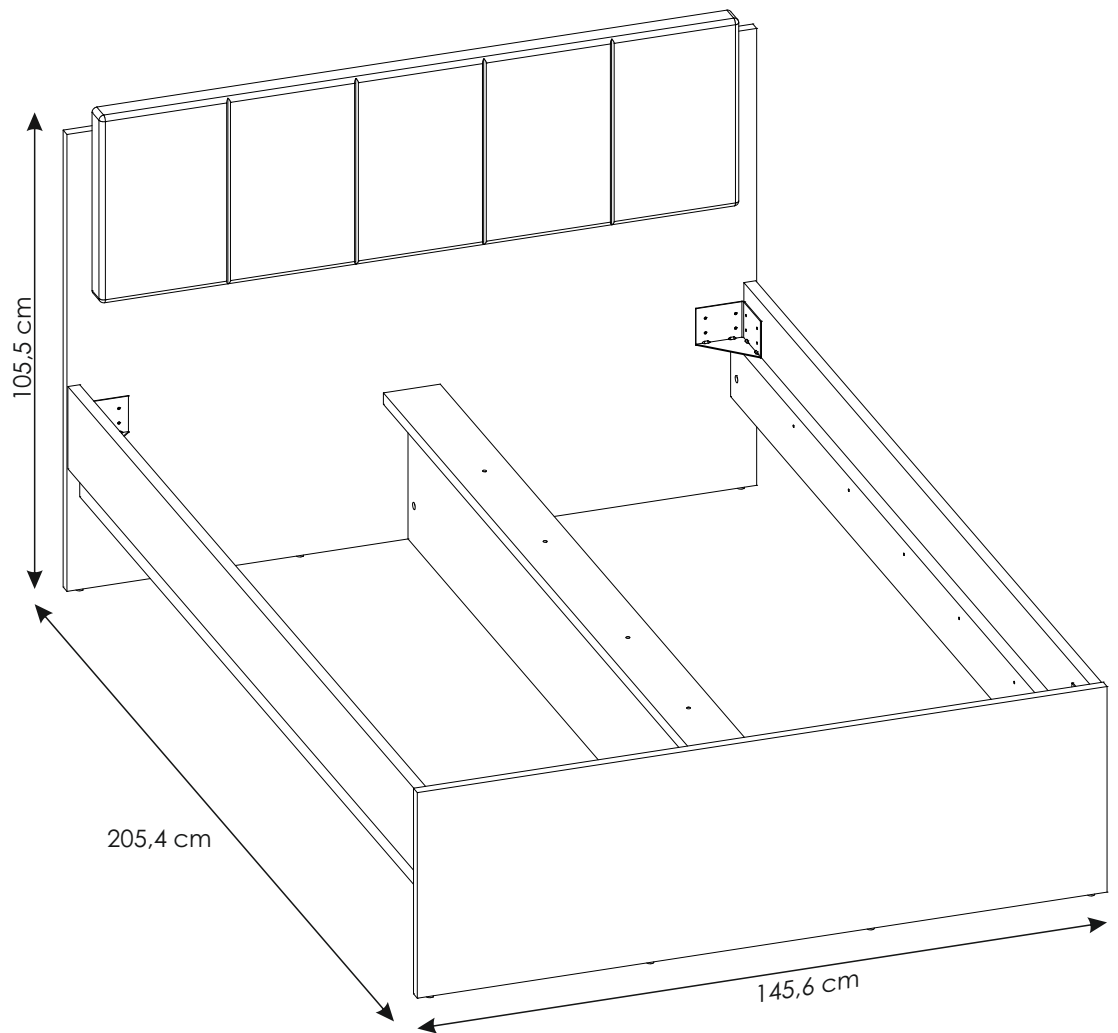
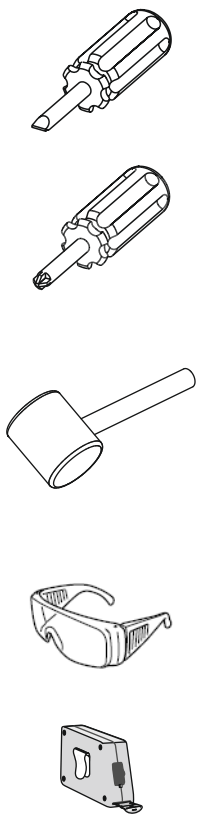
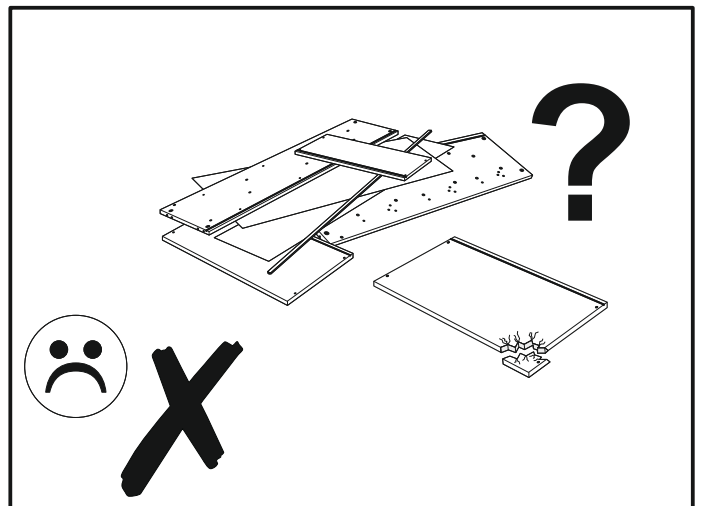
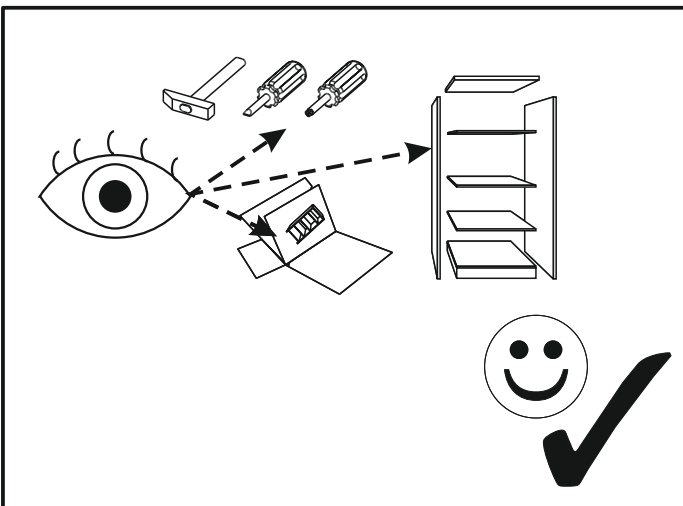
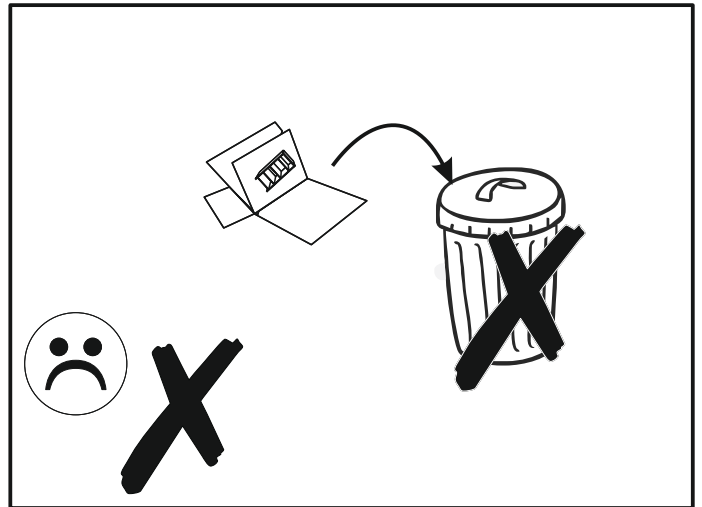
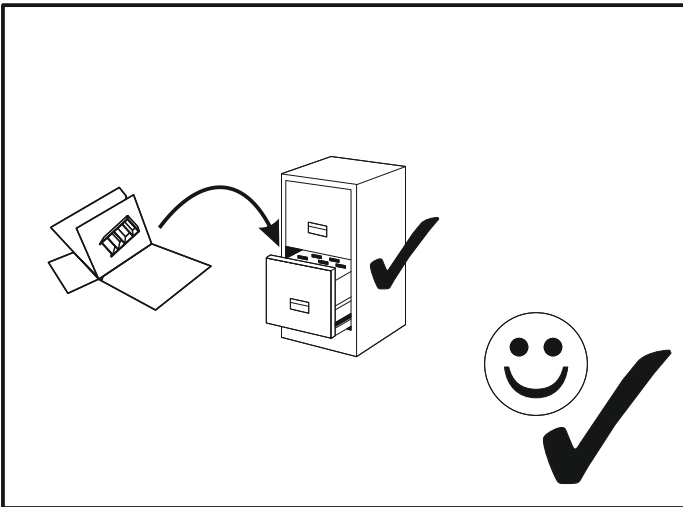
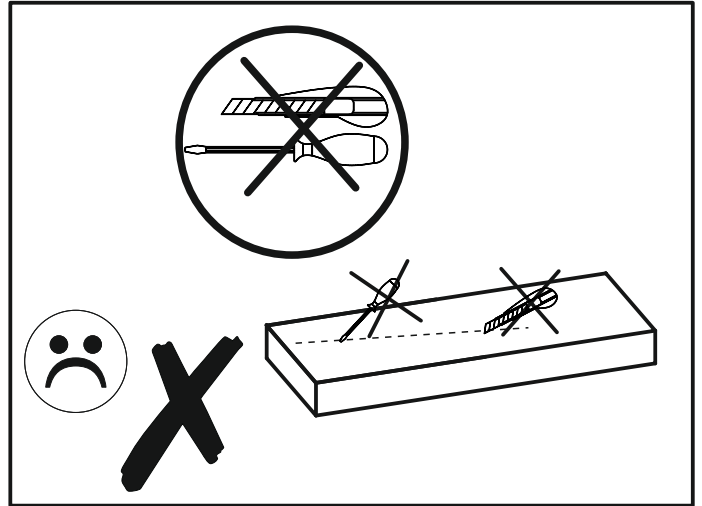
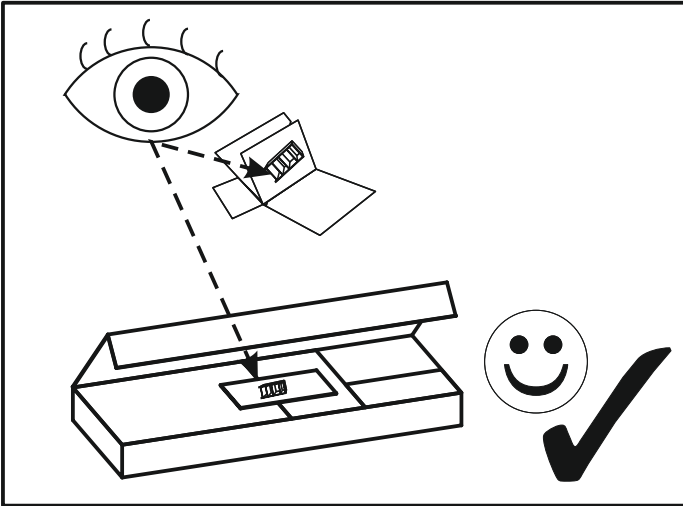


LYOZ01







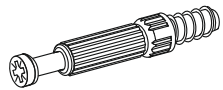
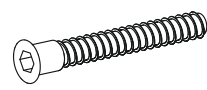
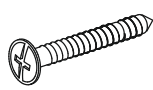
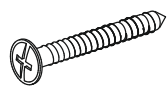
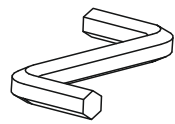
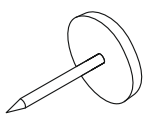
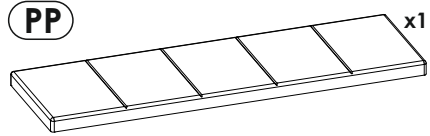
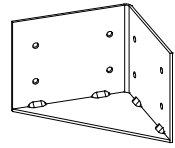
60 MIN

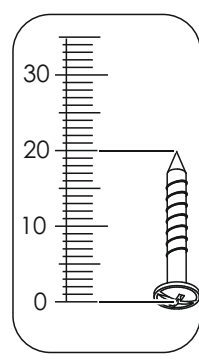
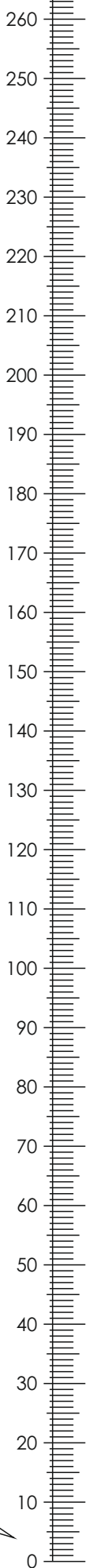




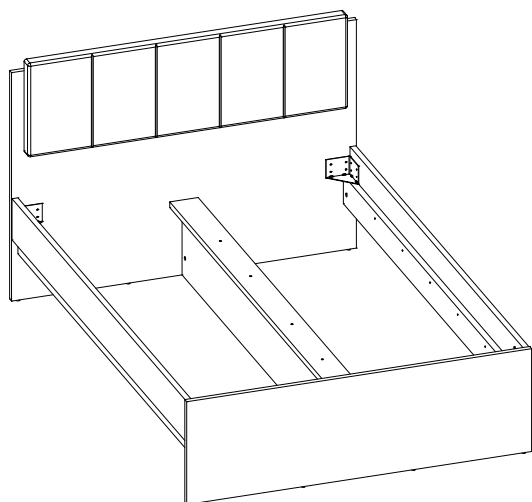
LYOZ01

MM

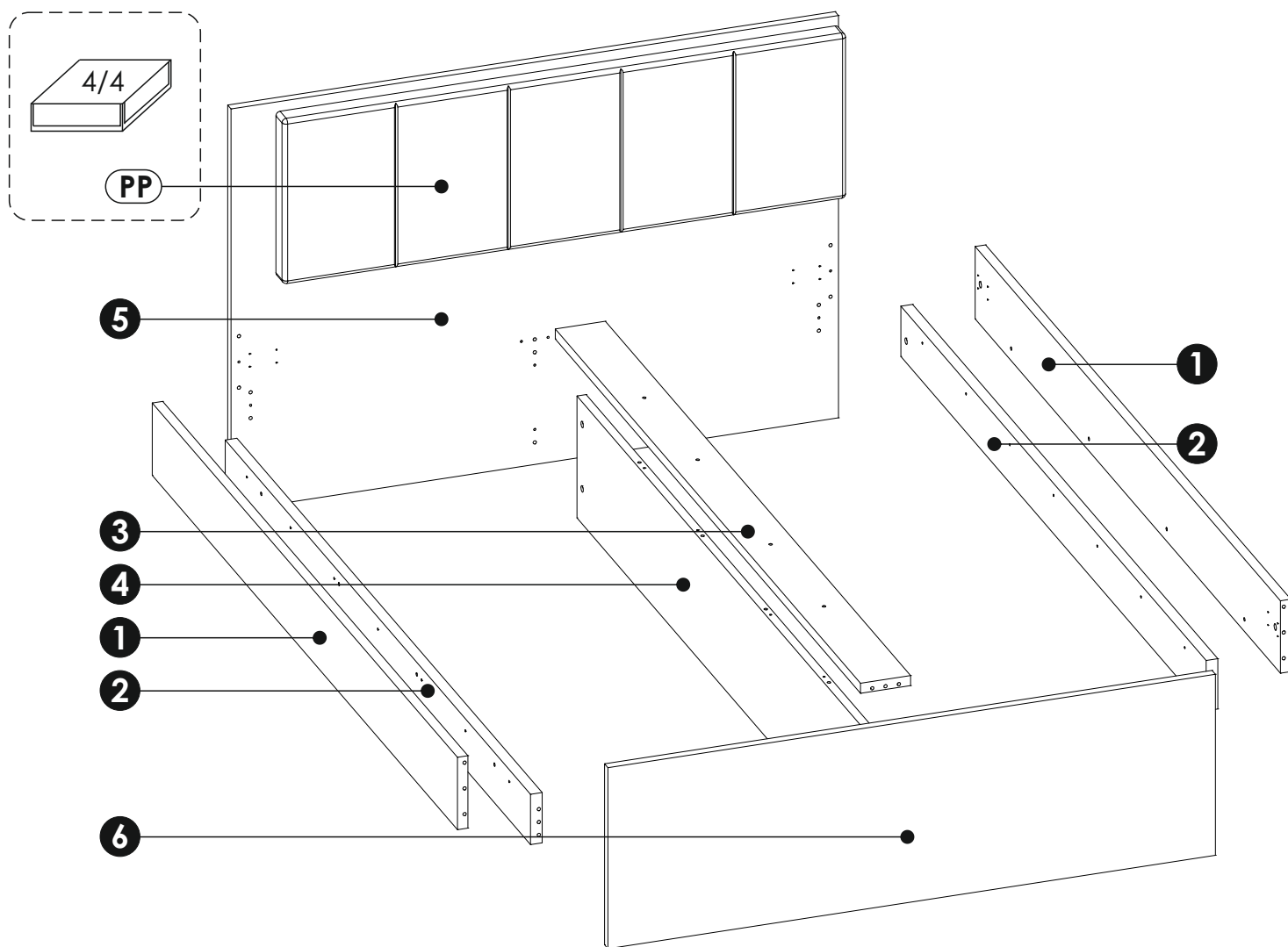
<p>A0 8 x 24 mm x8</p> 	<p>A1 8 x 35 mm x26</p> 	<p>C2 5 x 13 mm x32</p> 
<p>E1 15 x 12 mm x16</p> 	<p>F1 6 x 34 mm x16</p> 	<p>G2 7 x 60 mm x4</p> 
<p>I13 4 x 35 mm x6</p> 	<p>I14 4 x 45 mm x14</p> 	<p>M x1</p> 
<p>O2 x13</p> 	<p>PP x1</p> 	<p>W x4</p> 

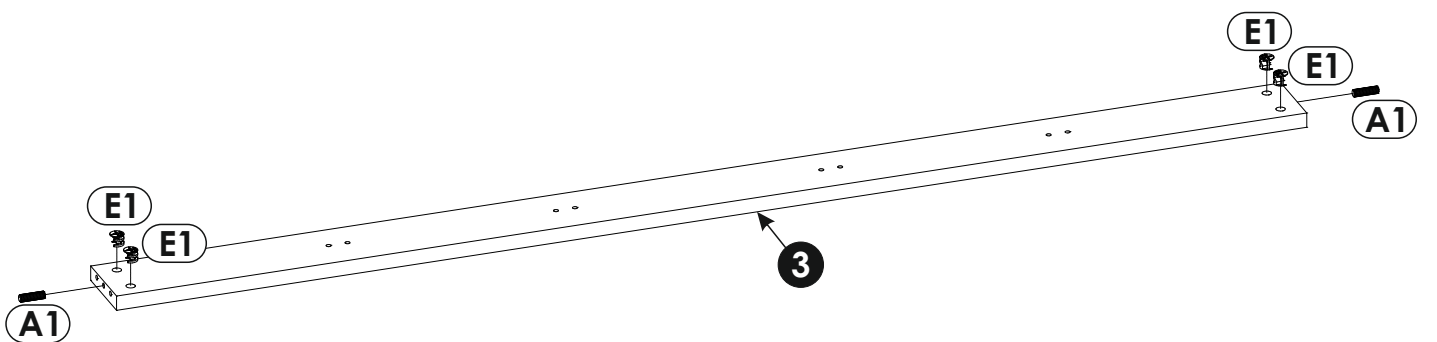
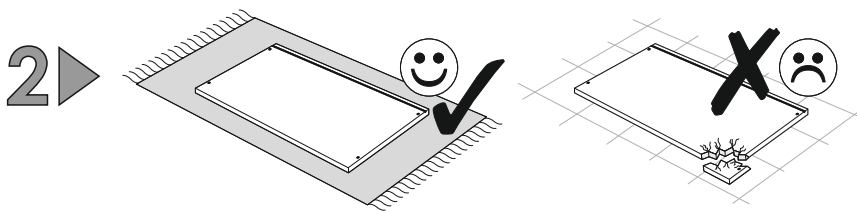
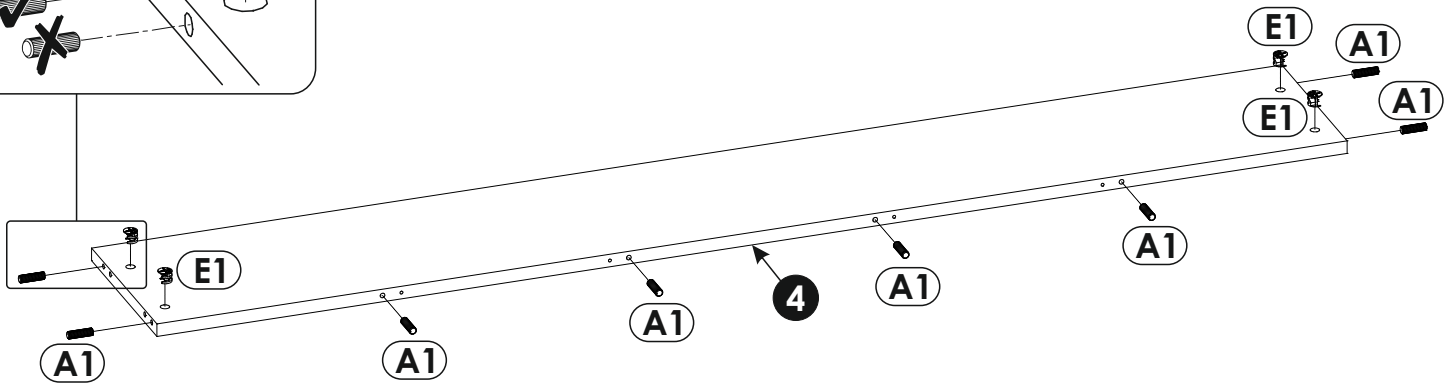
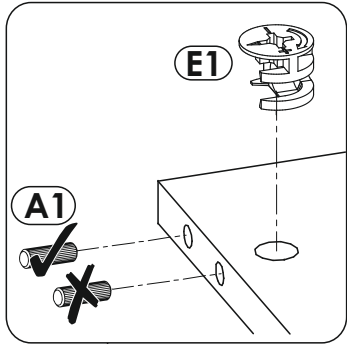
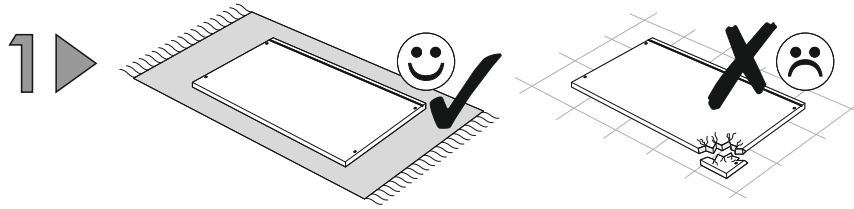
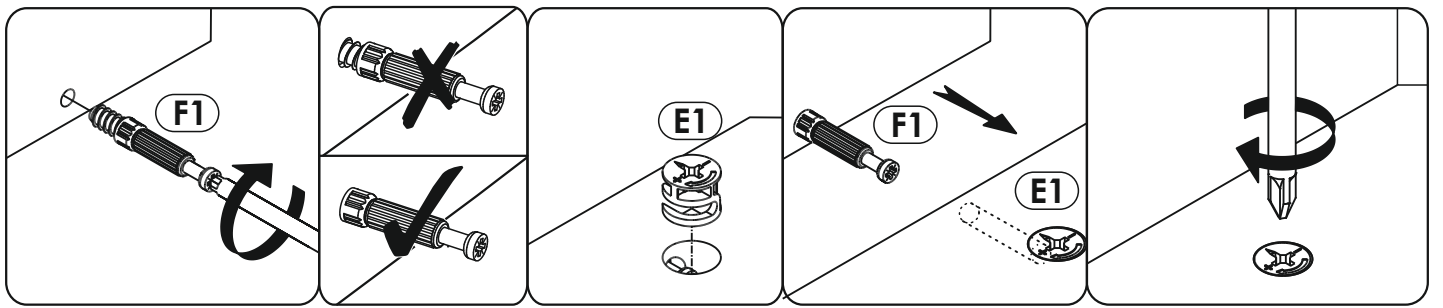


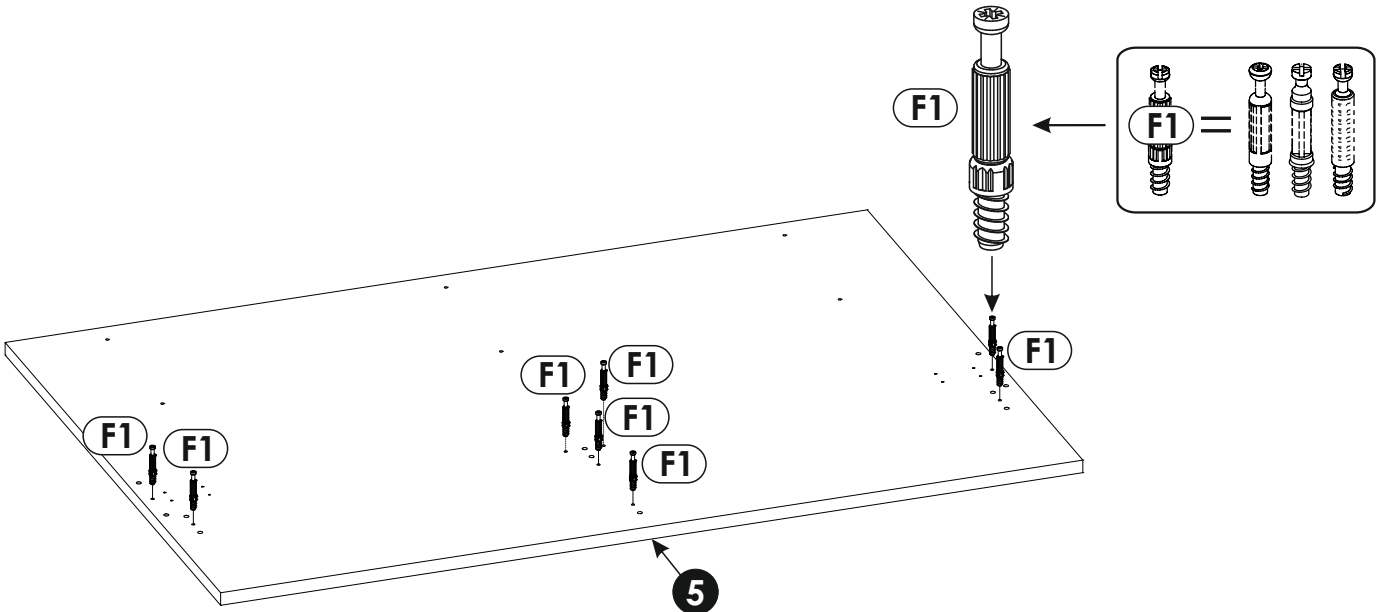
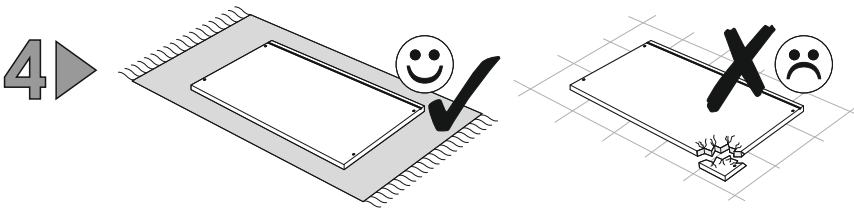
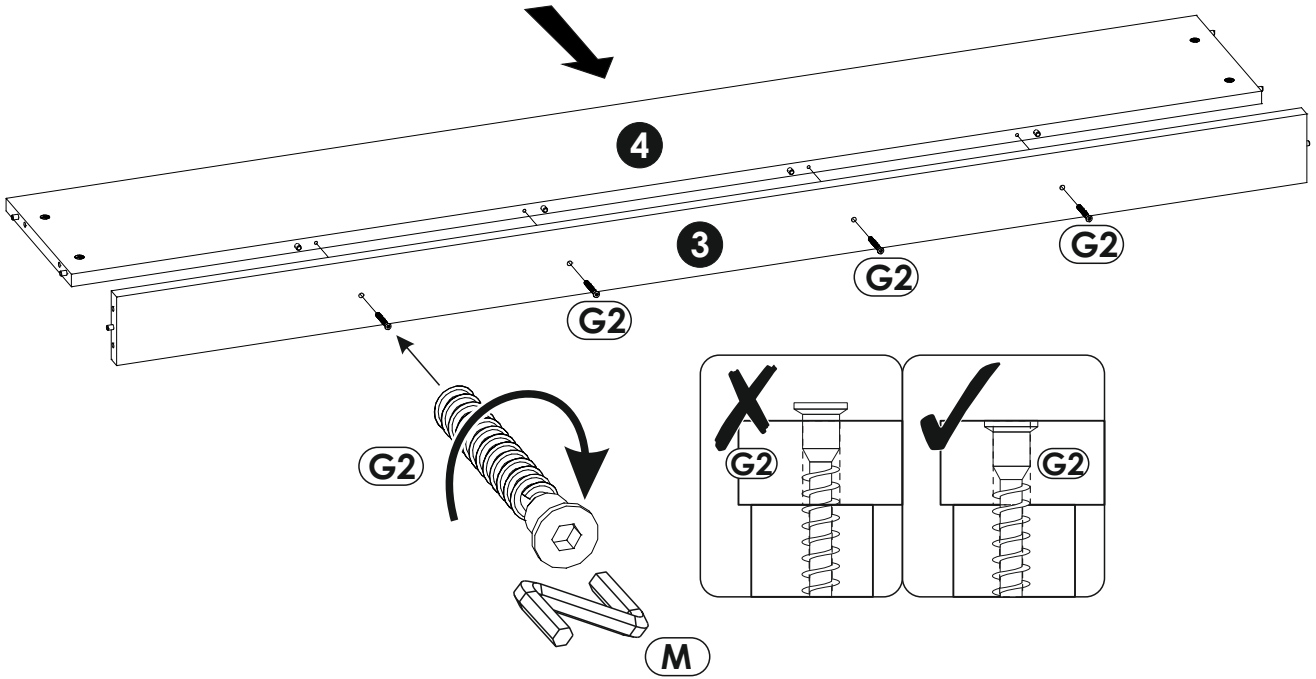
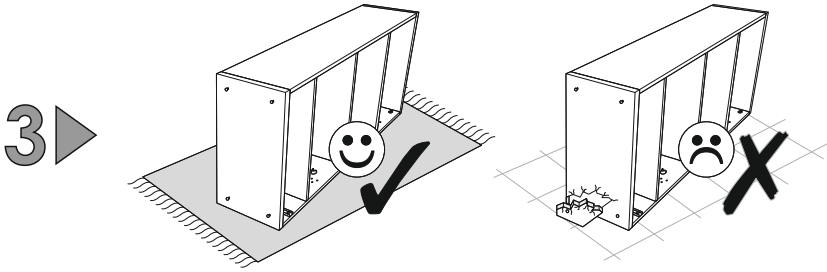
LYOZ01



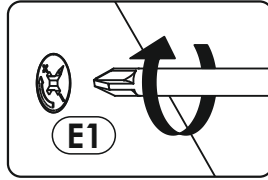
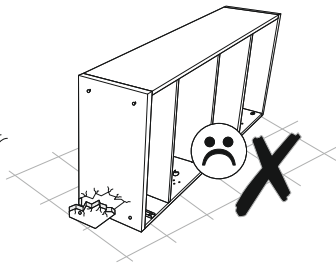
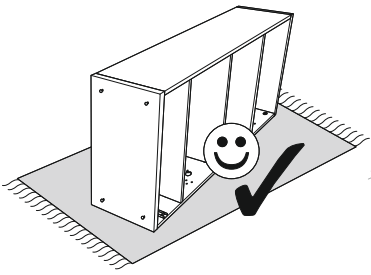
1	2010	180	25	x2	1/4
2	125	2010	28	x2	2/4
3	120	2010	25	x1	1/4
4	303	2010	22	x1	2/4
5	1456	1000	22	x1	3/4
6	1456	450	22	x1	3/4







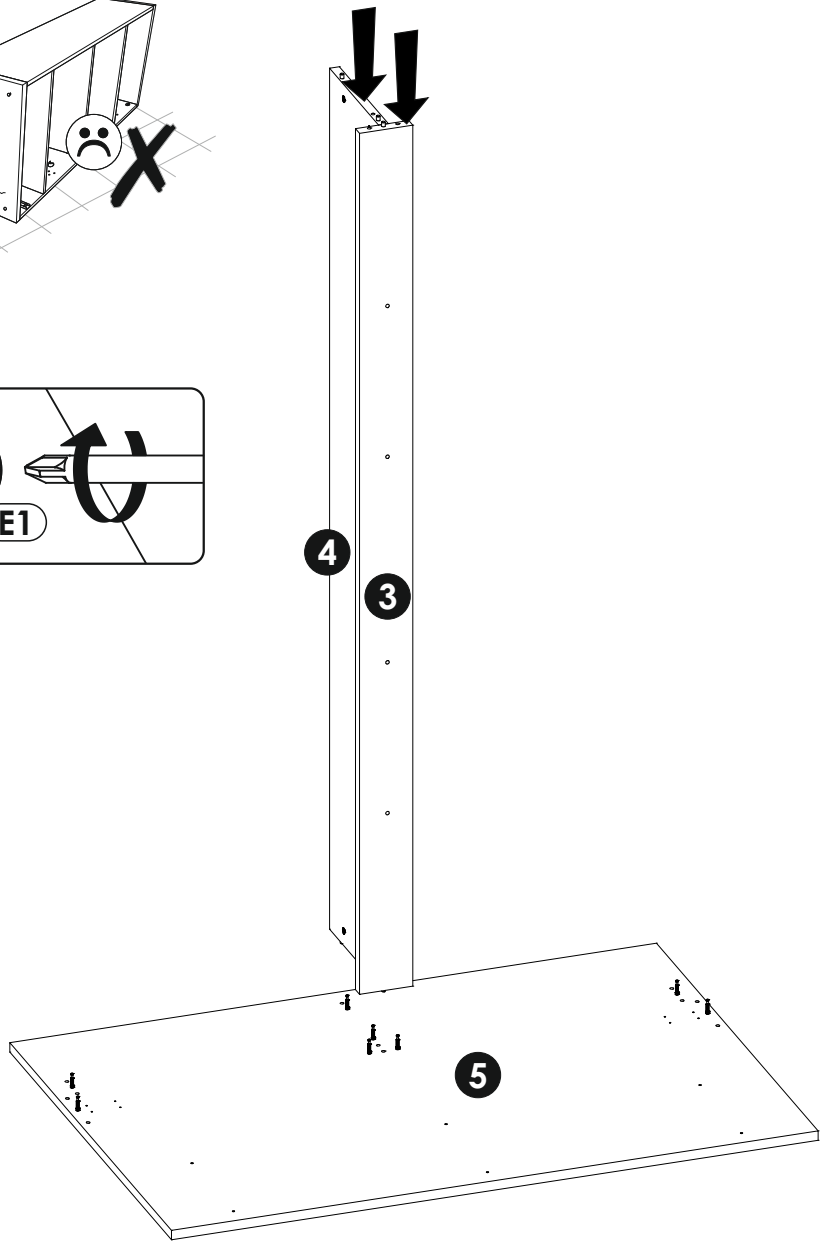
5 ▶



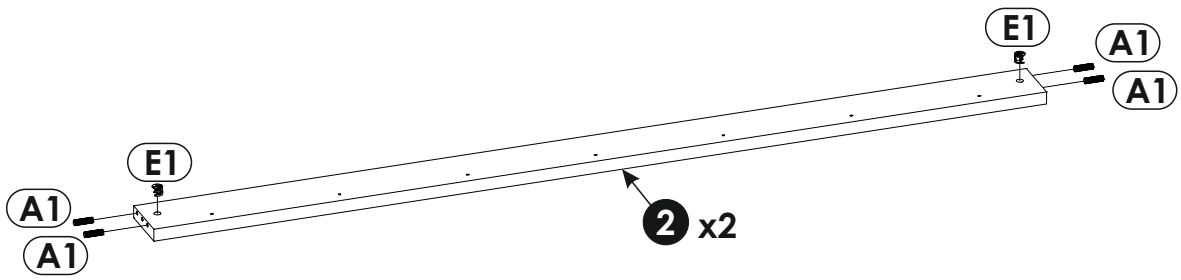
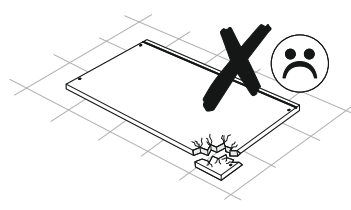
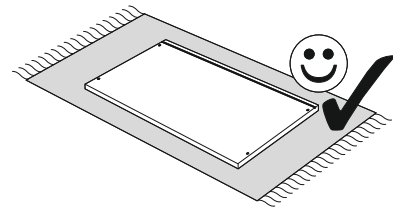
4

3

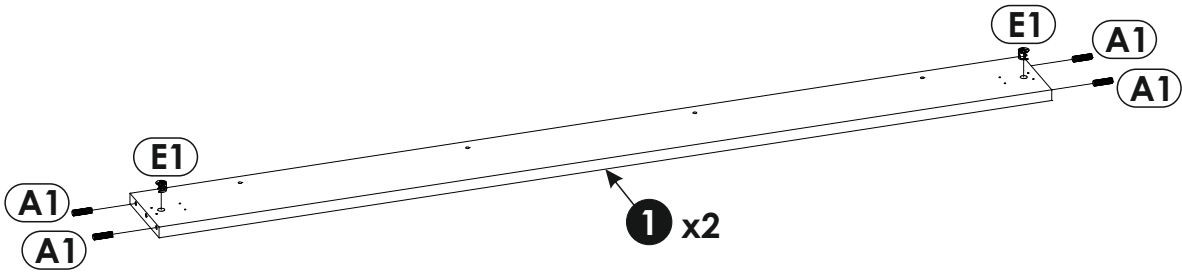
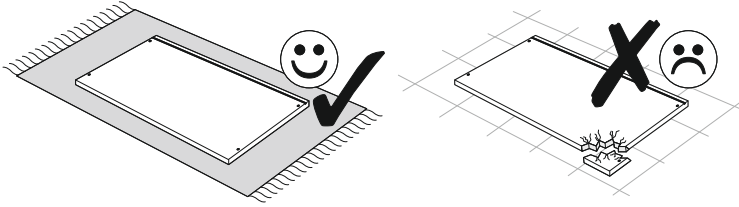
5



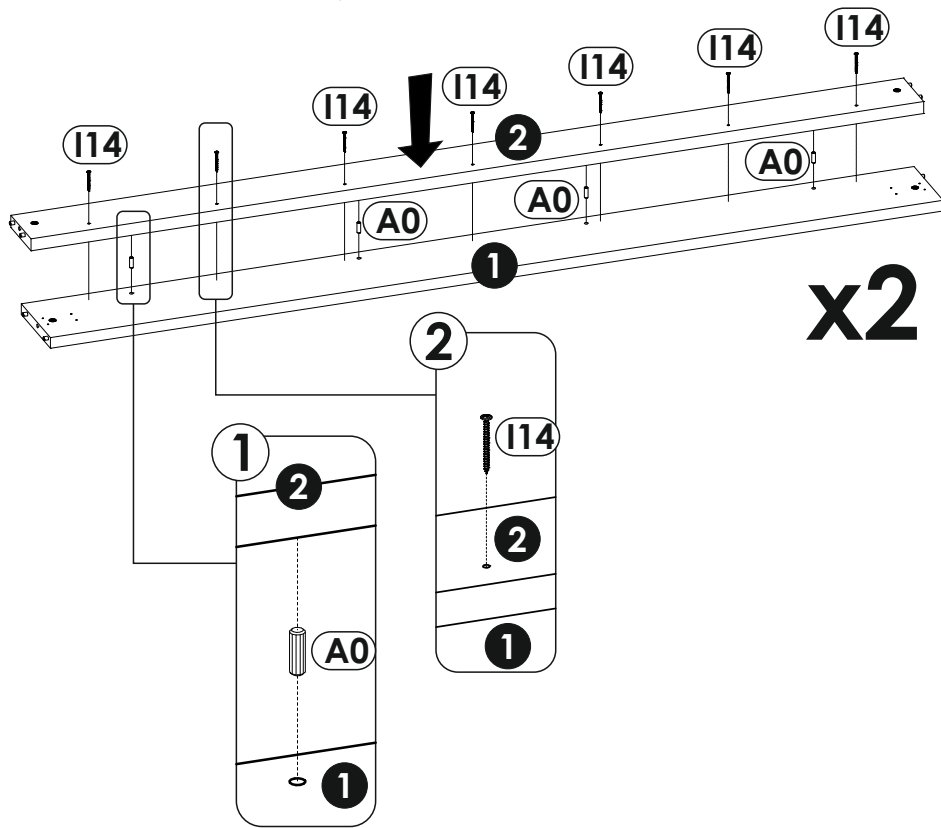
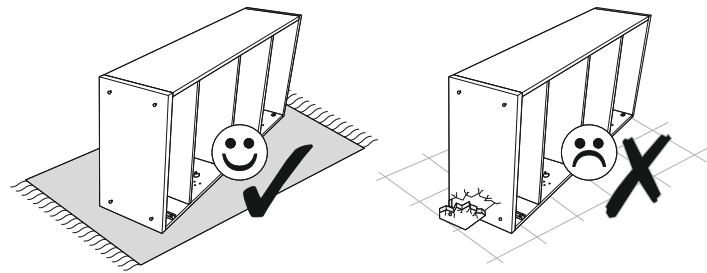
6 ▶



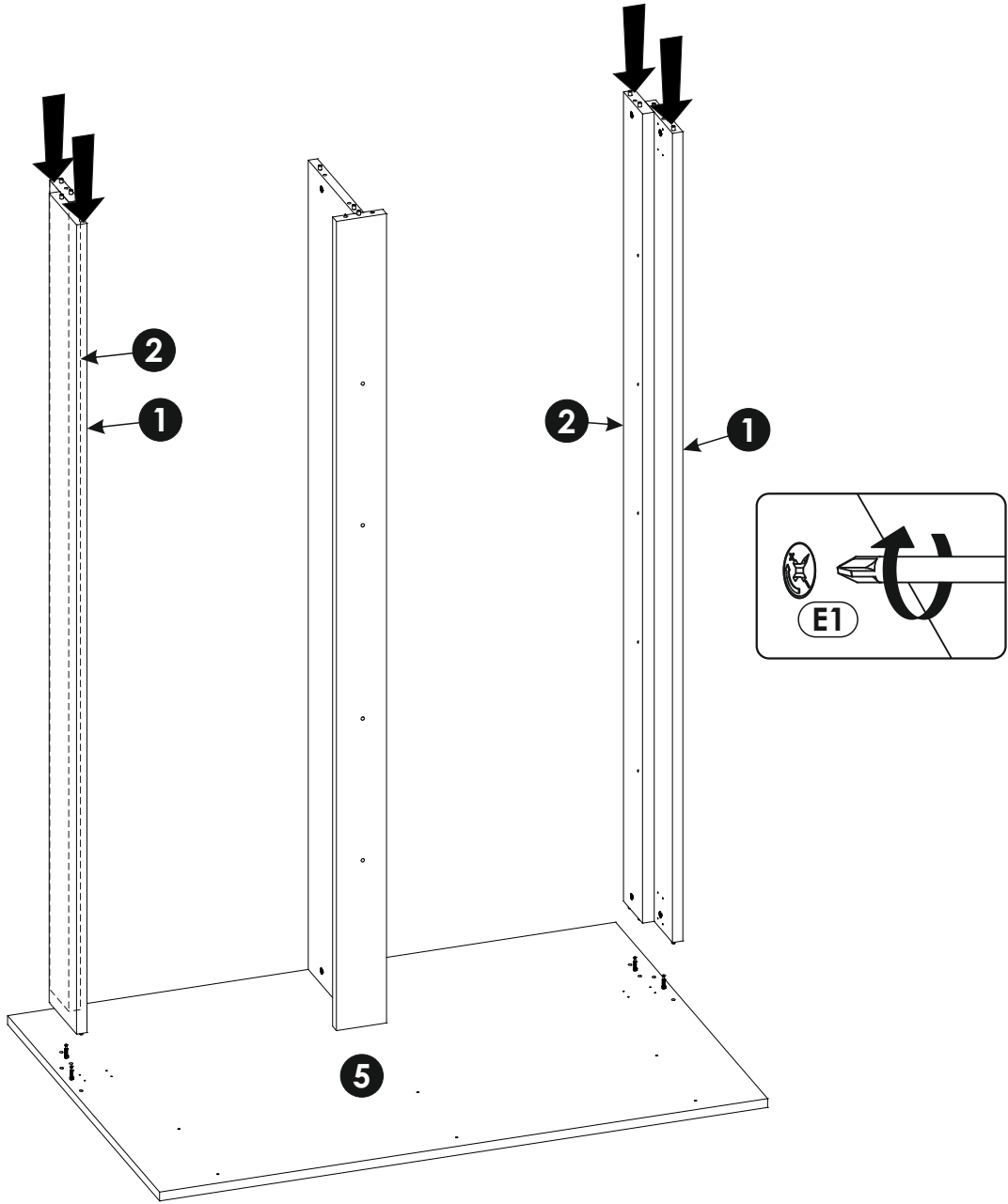
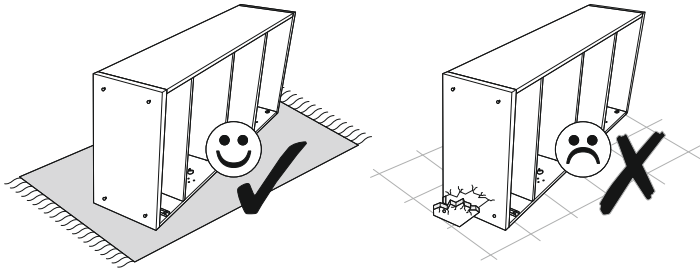
7 ▶



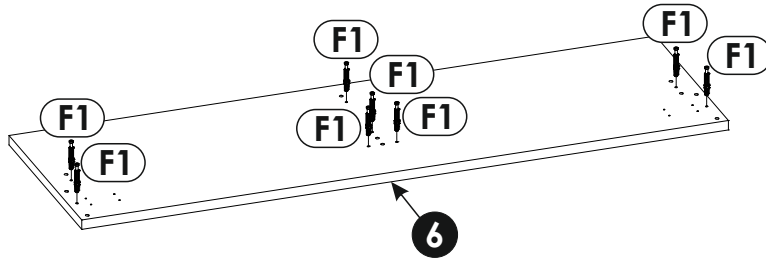
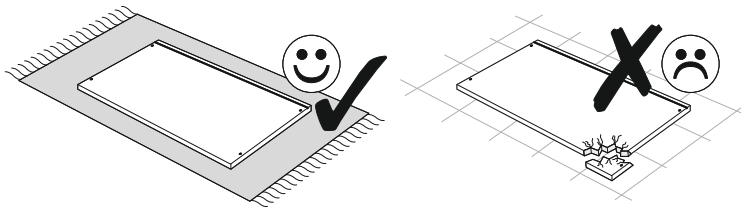
8 ▶



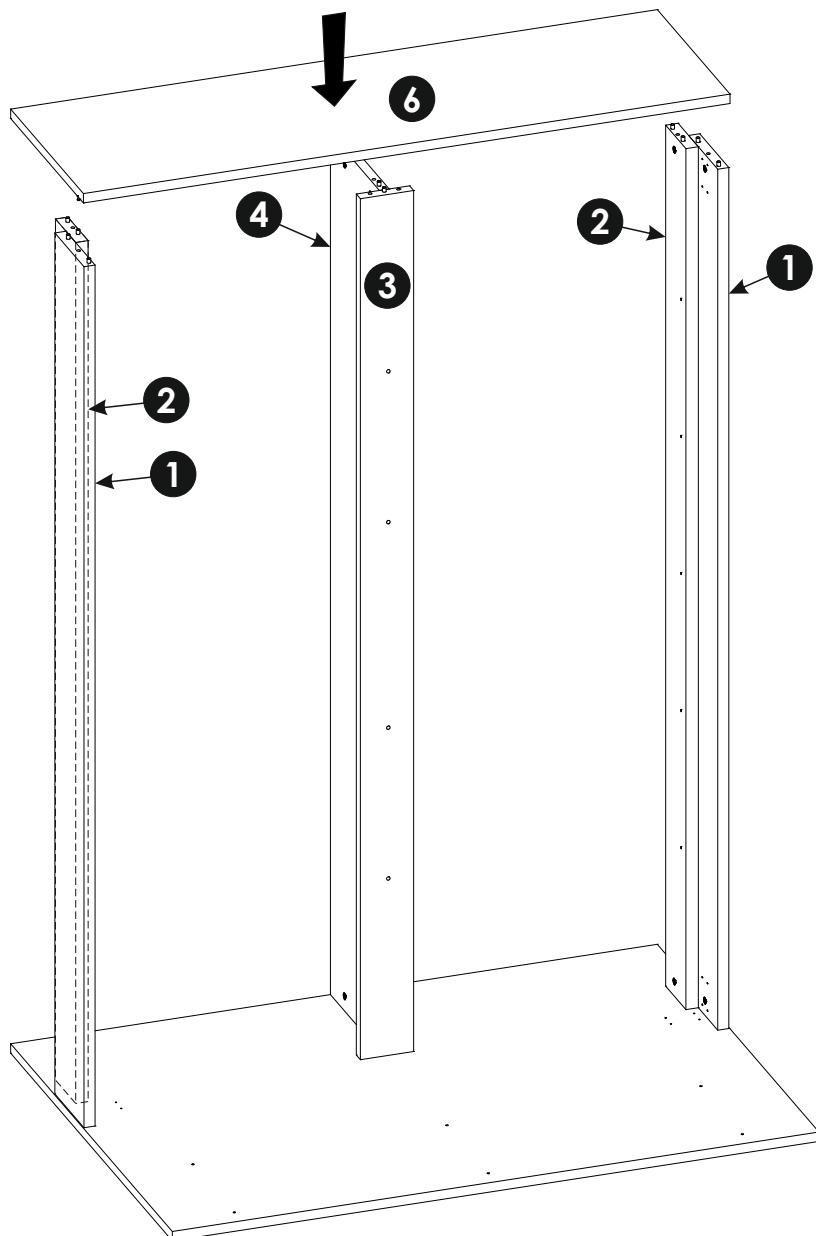
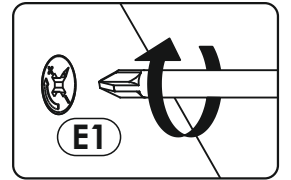
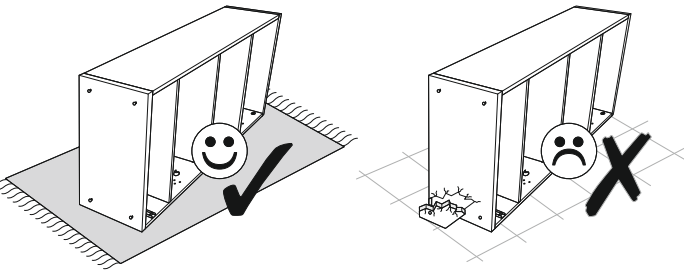
9 ▶



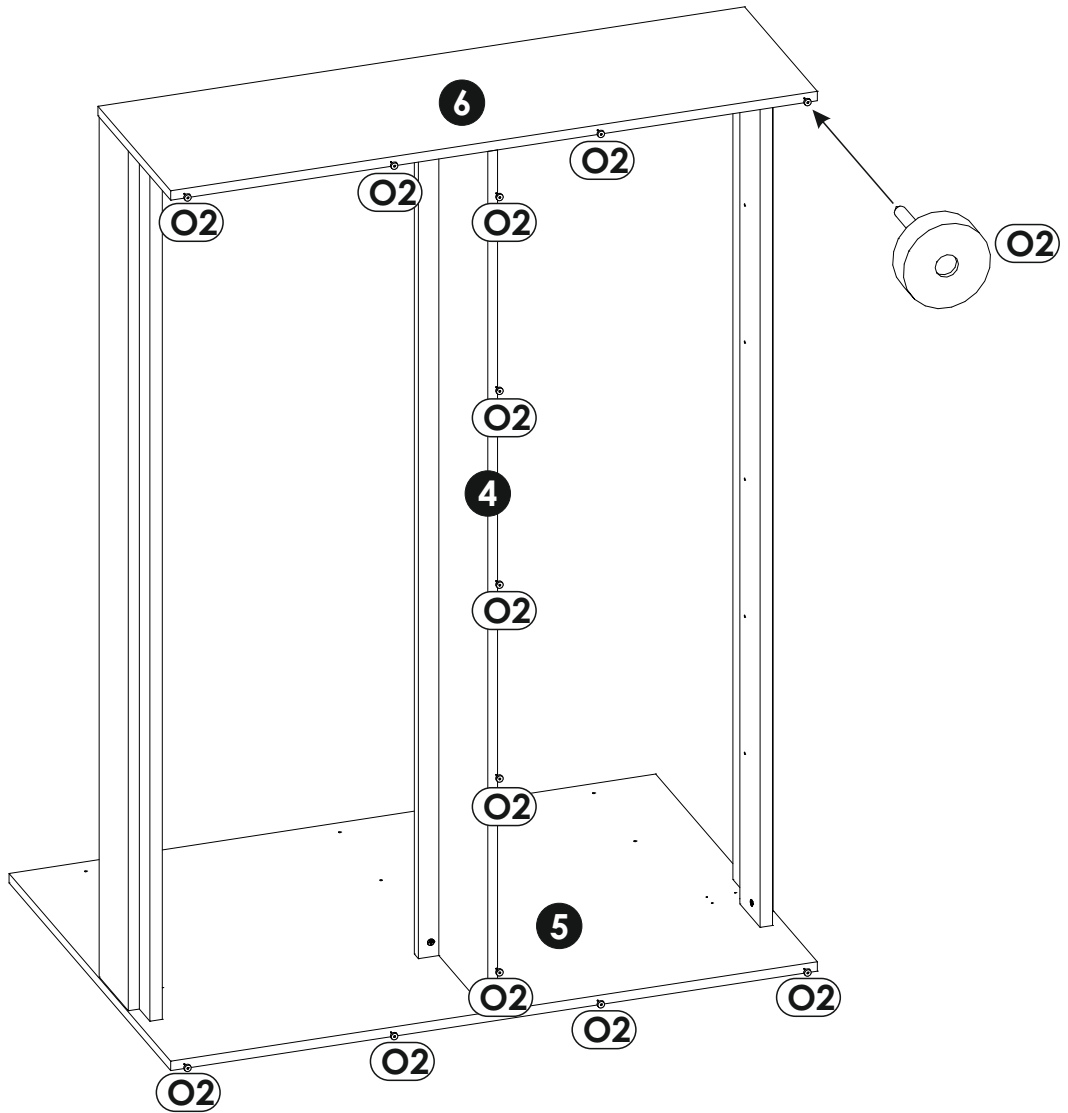
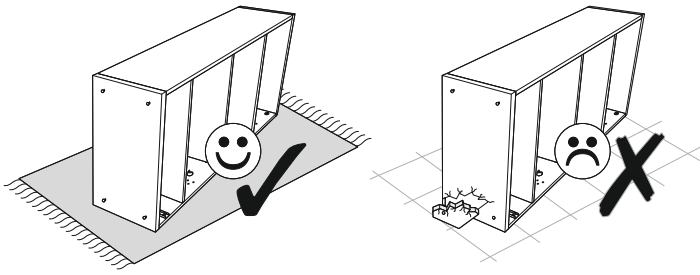
10 ▶▶



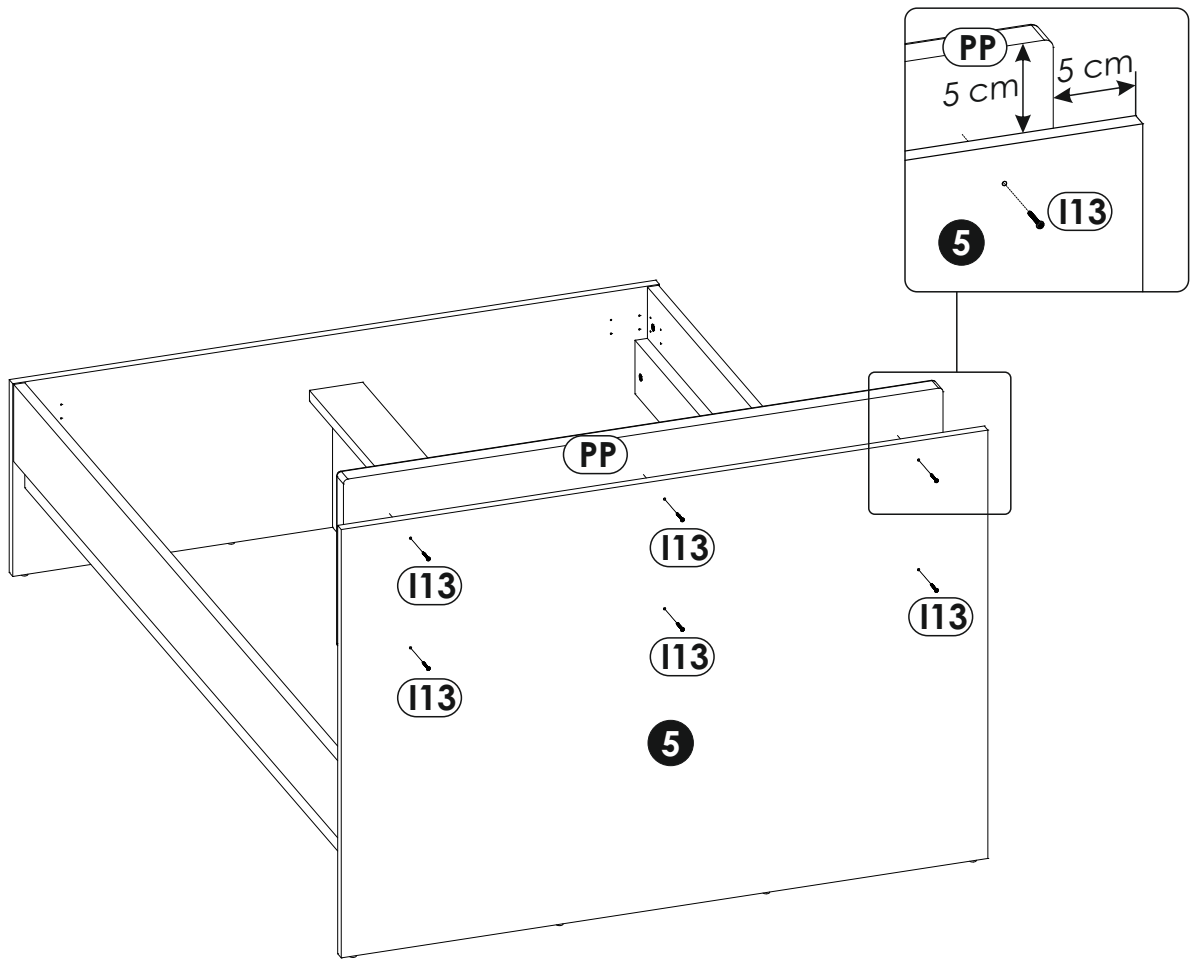
11 ▶▶



12▶



13▶



14▶

