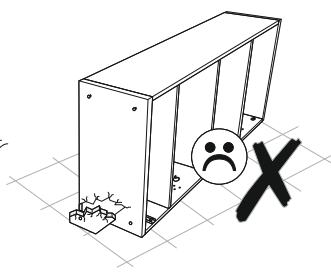
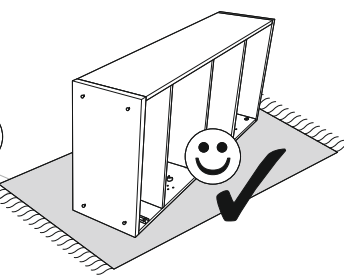
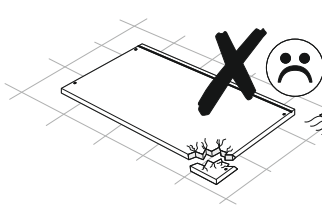
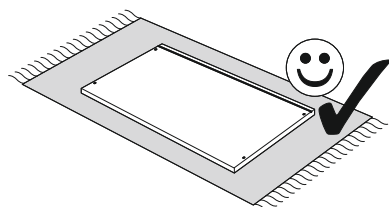
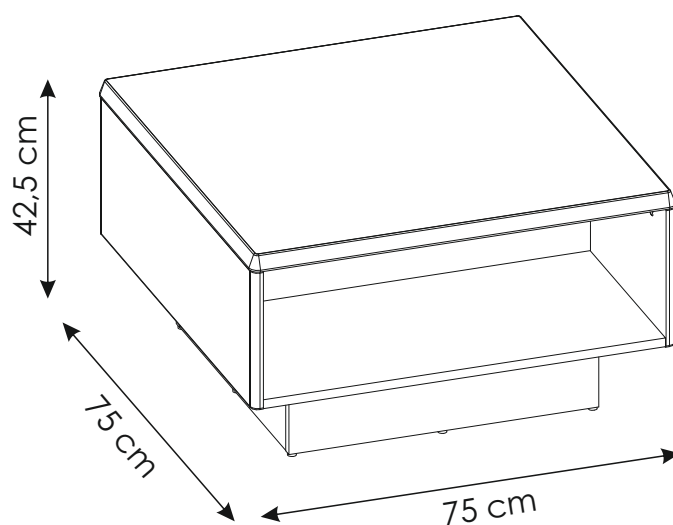
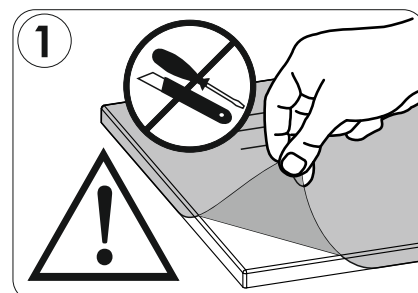
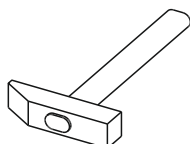
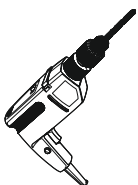
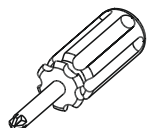
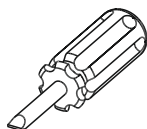
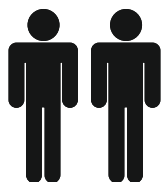
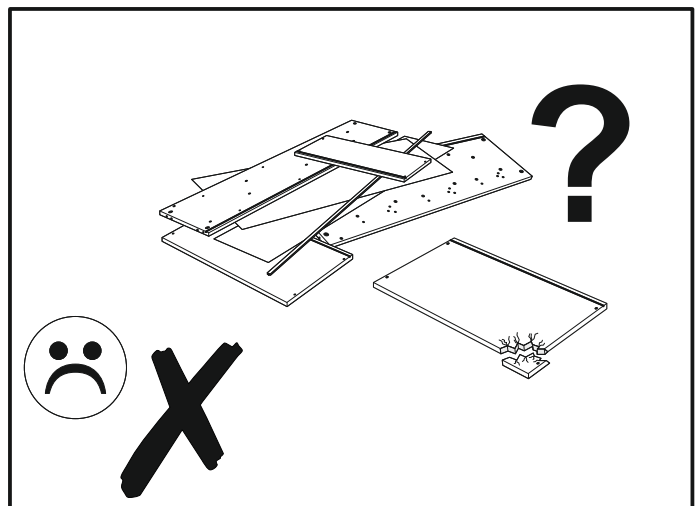
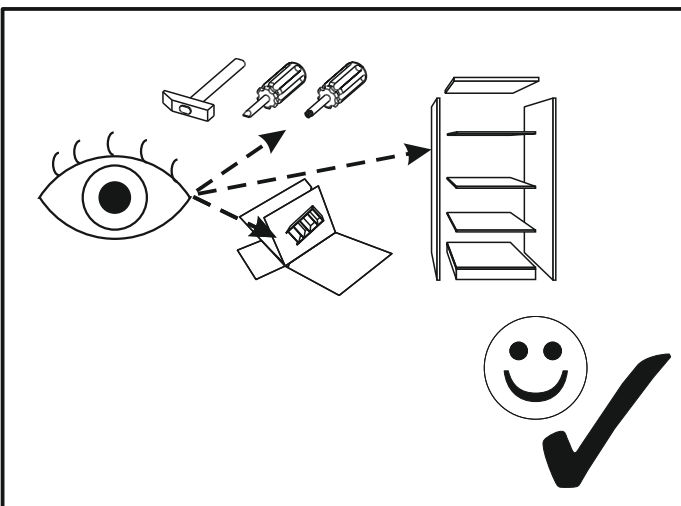
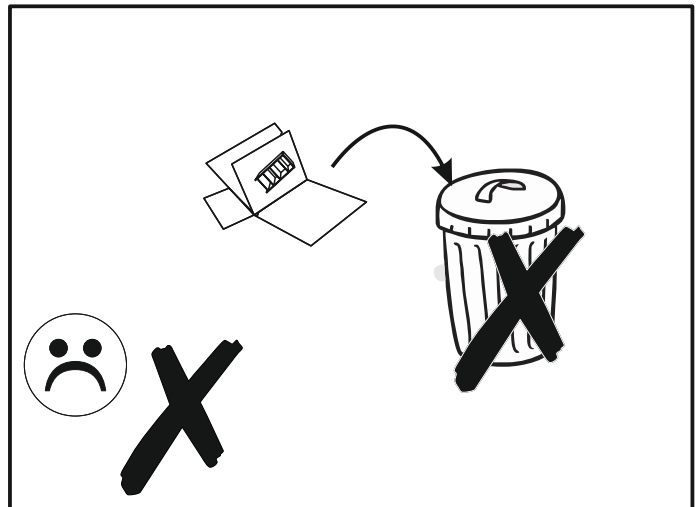
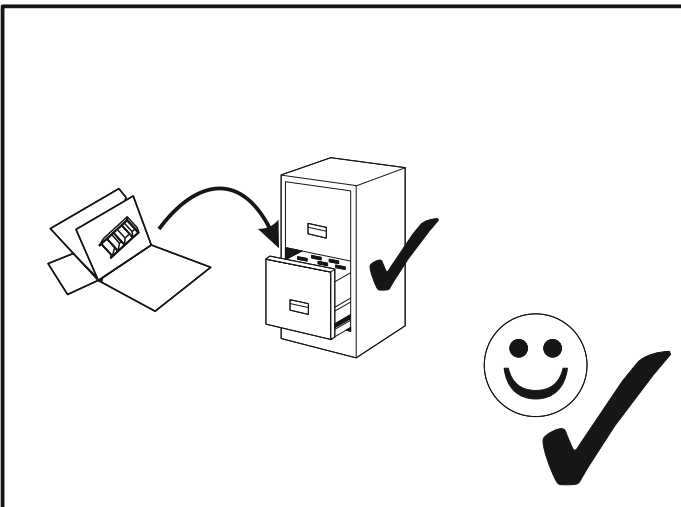
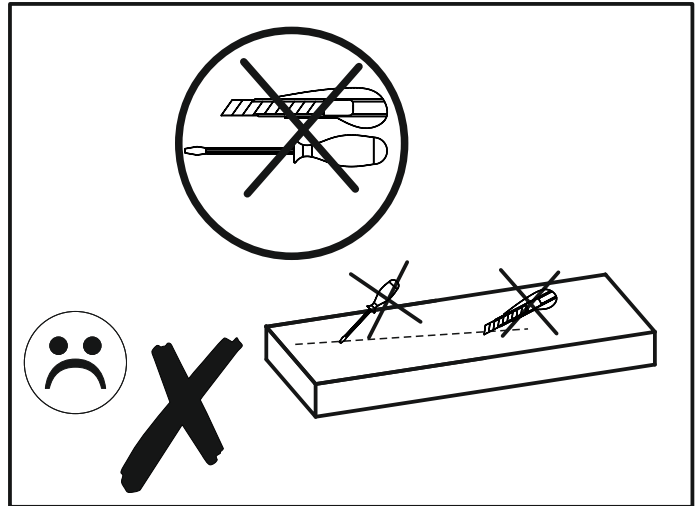
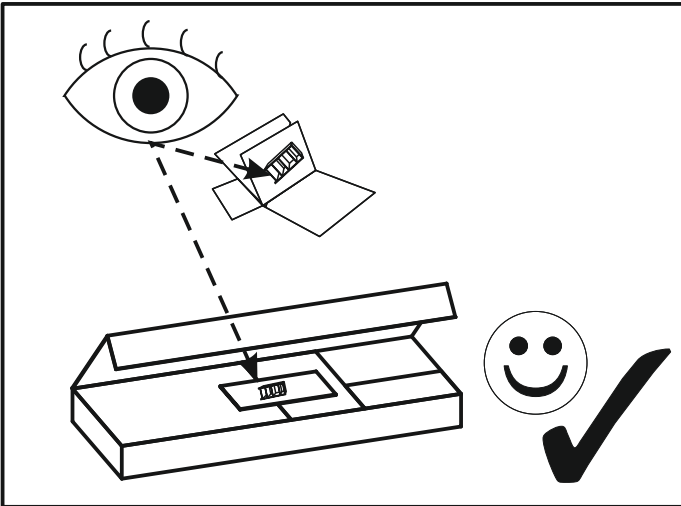


TOLEDO TOLT01

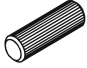


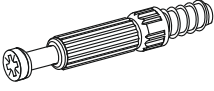
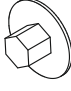
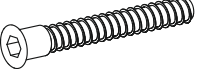
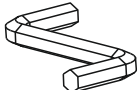
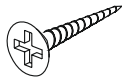
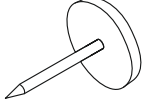
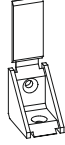


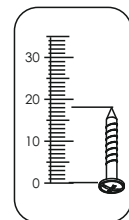
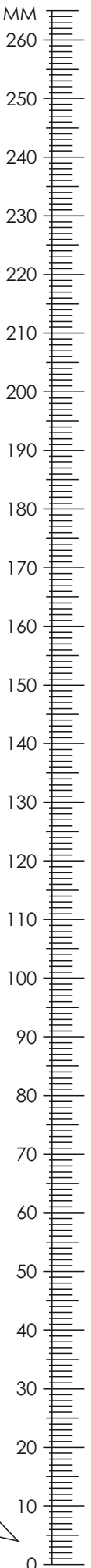
30 min



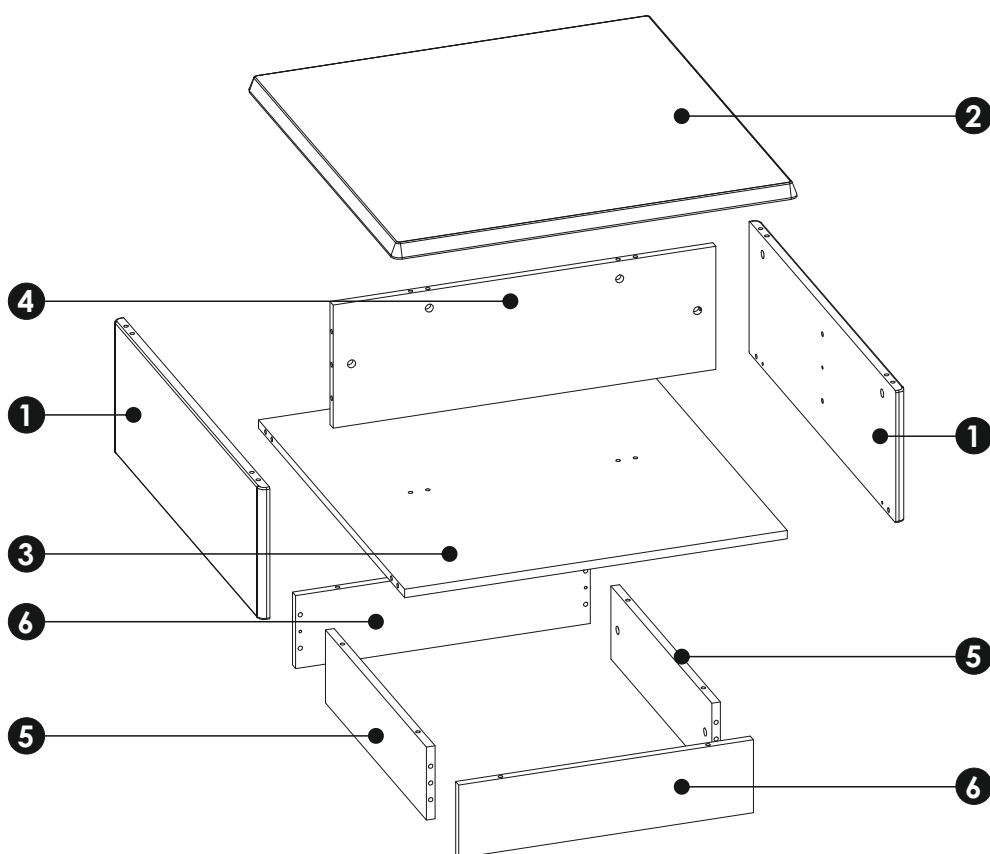
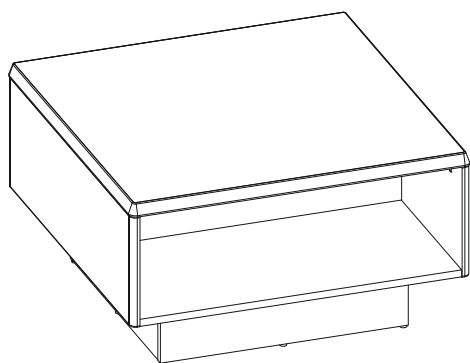


TOLEDO TOLT01

A1 8 x 35 mm x32 	E0 x12 	E1 15 x 12,5 mm x16 
F1 6 x 34 mm x16 	G0 x2 	G1 7 x 50 mm x2 
M x1 	N2 3,5 X 16 mm x8 	O2 x8 
W x4 		

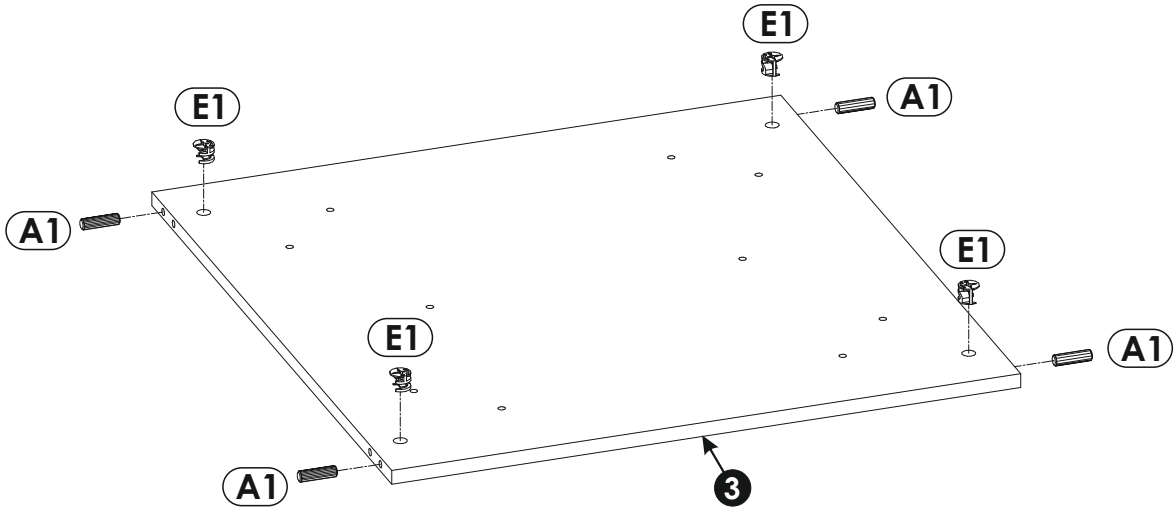


TOLEDO TOLT01

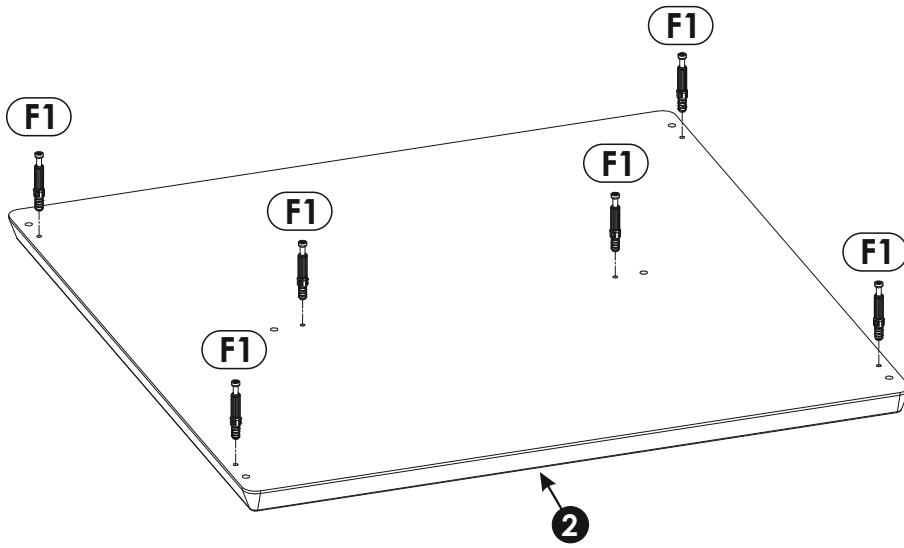


1	746	253	19	x2	1/2
2	750	750	28	x1	2/2
3	708	742	16	x1	2/2
4	708	236	16	x1	1/2
5	513	140	16	x2	1/2
6	545	140	16	x2	1/2

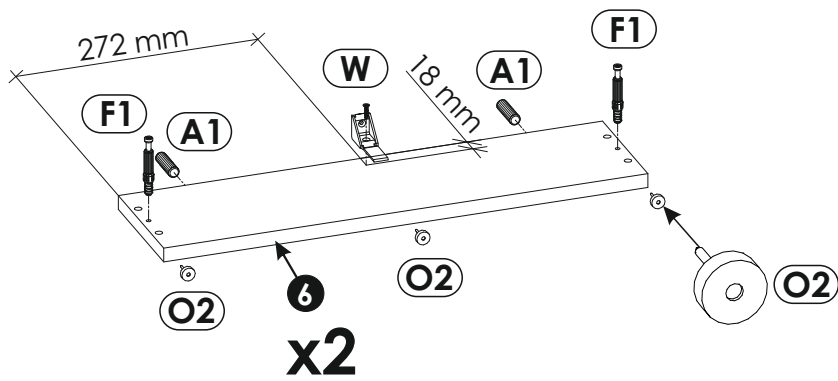
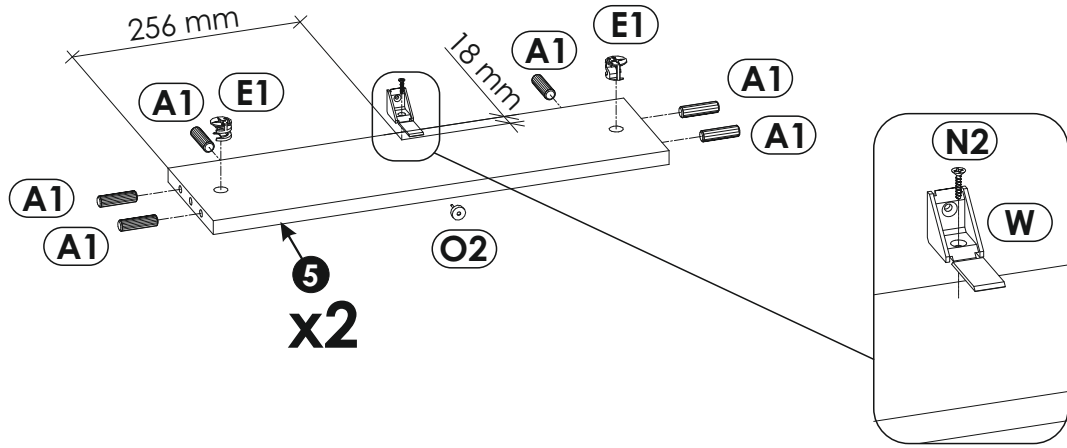
3▶



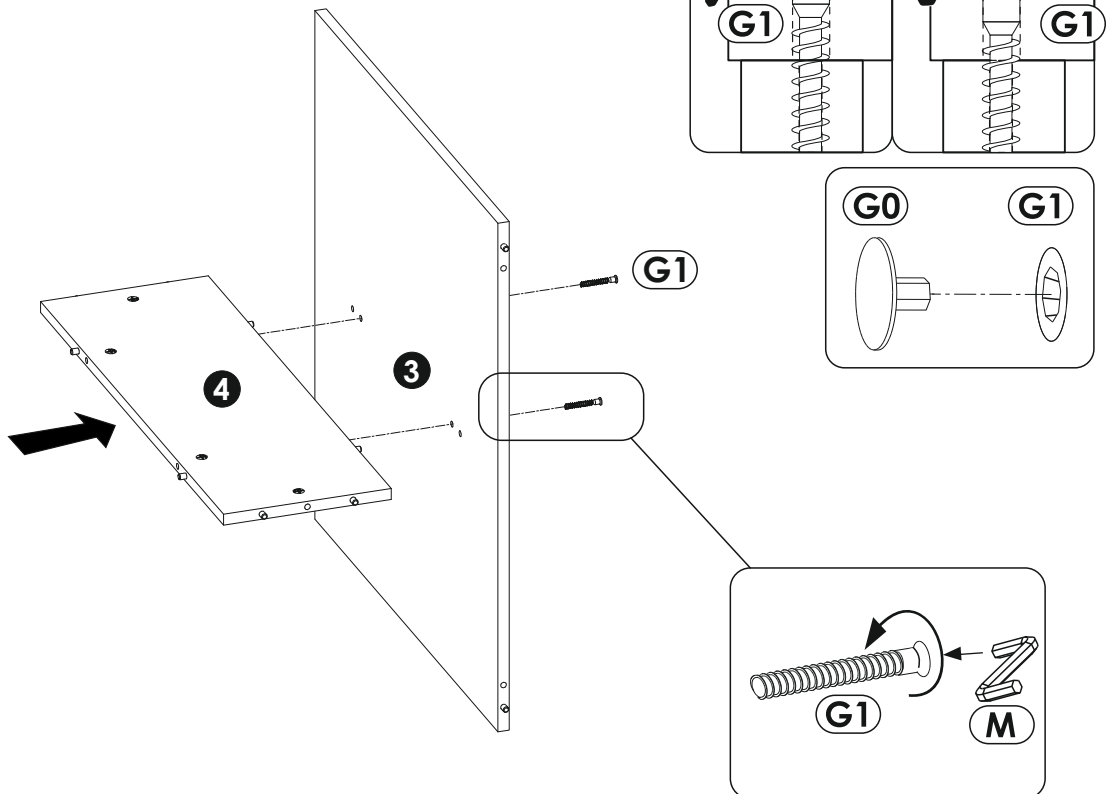
4▶



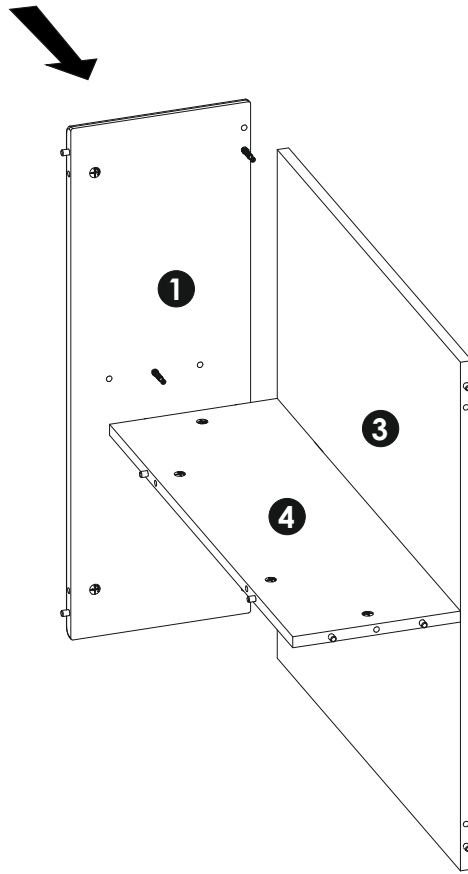
5 ▶



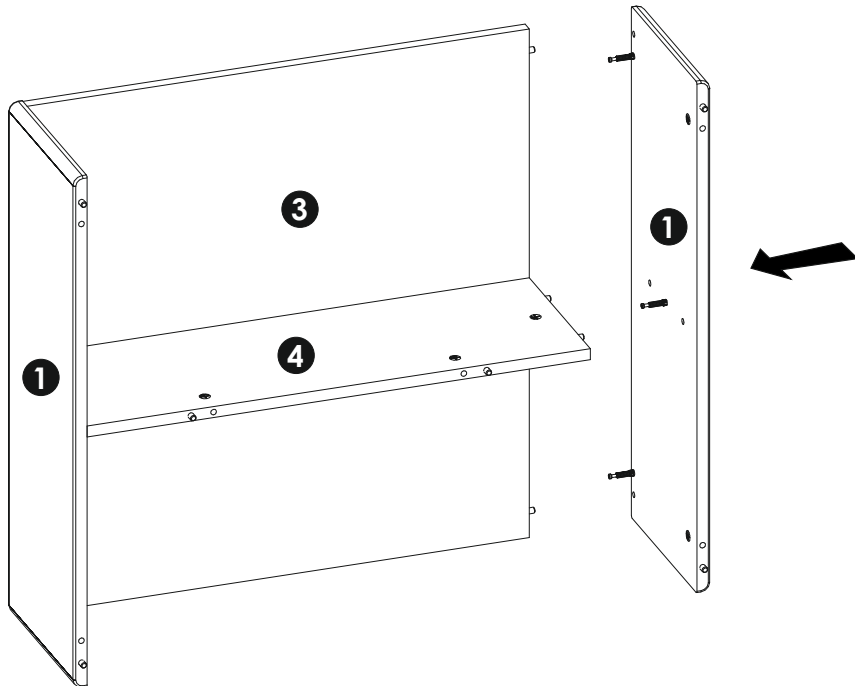
6 ▶



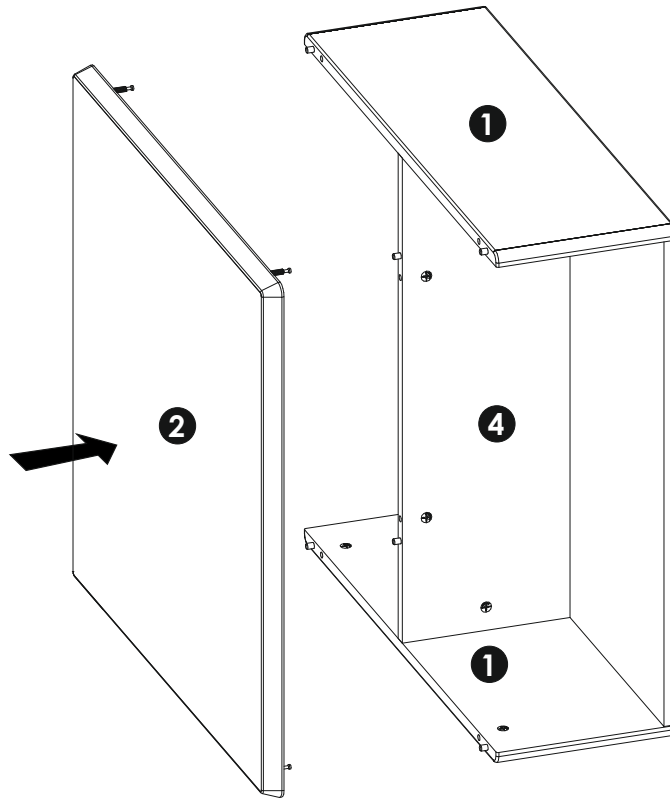
7 ▶



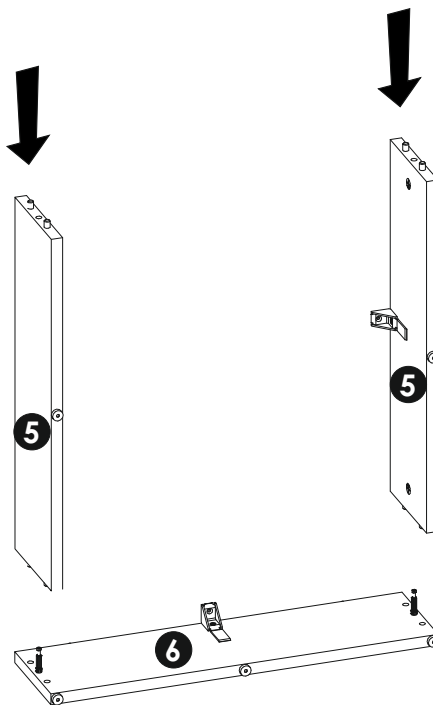
8 ▶



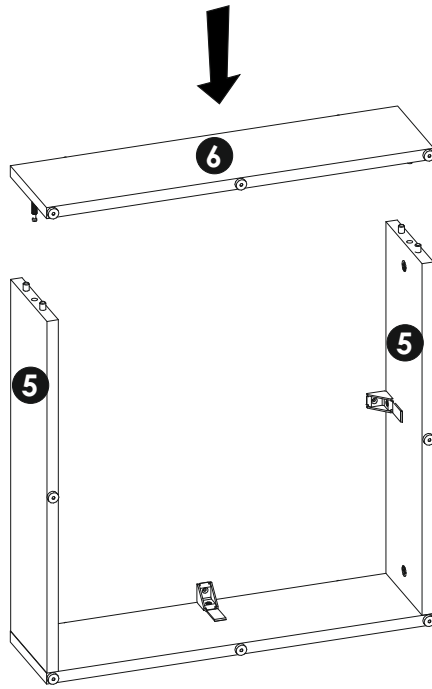
9 ▶



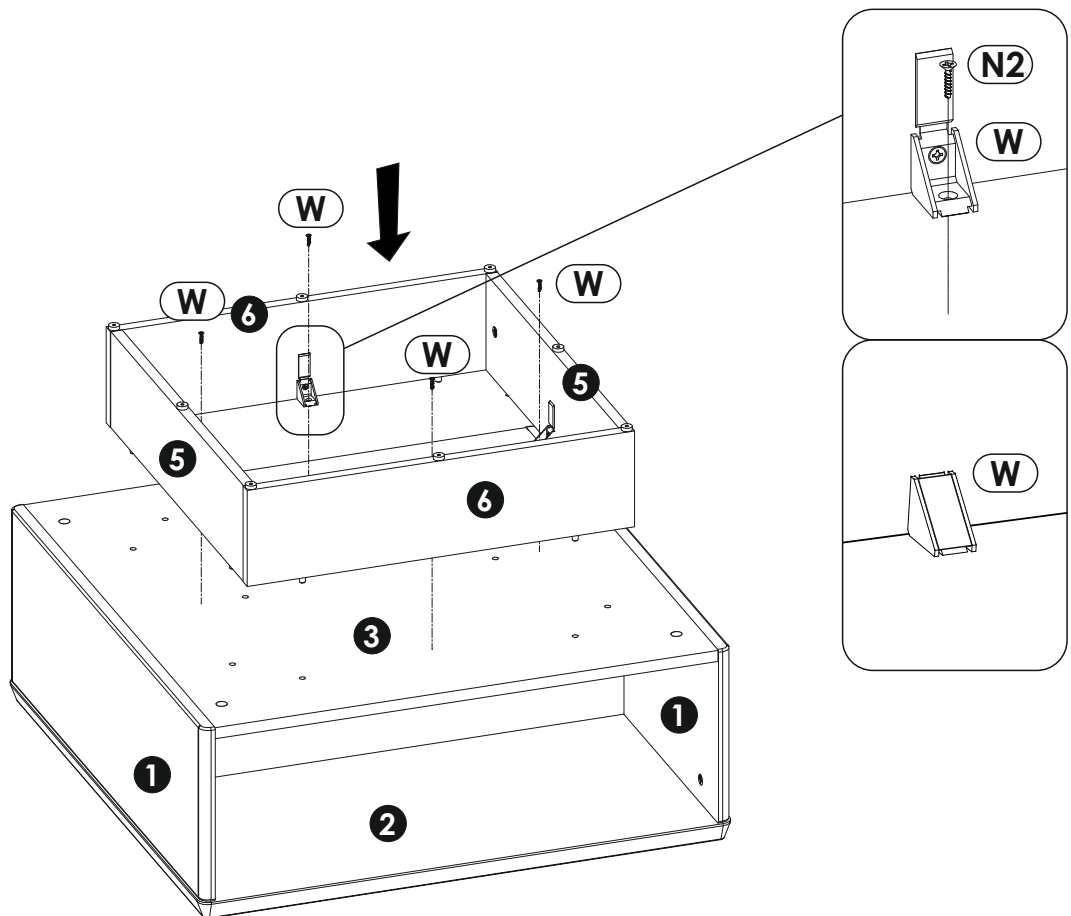
10 ▶



11 ▶



12 ▶



13▶

