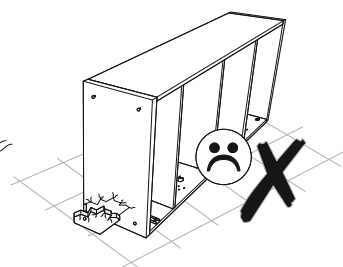
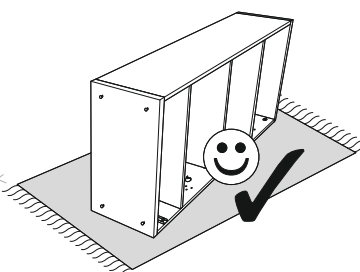
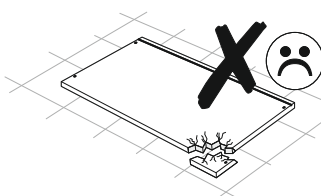
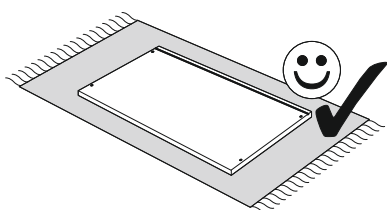
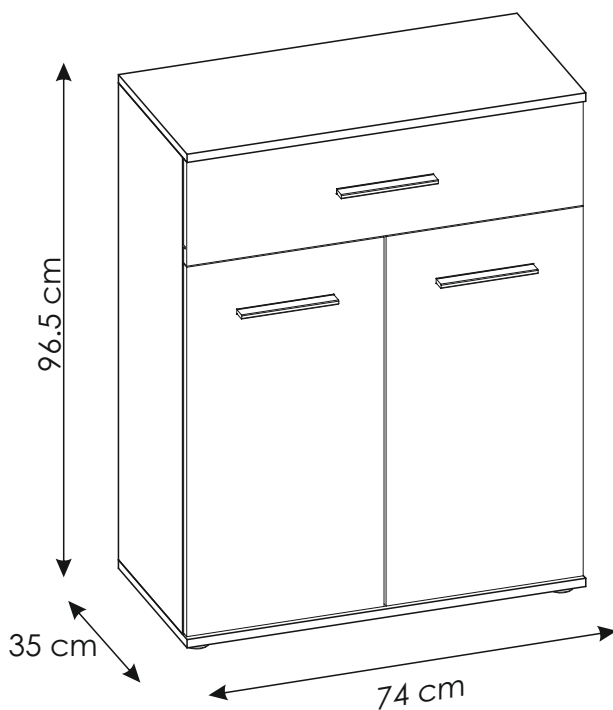
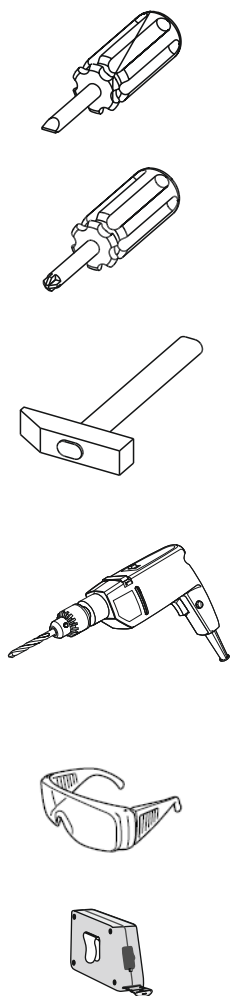
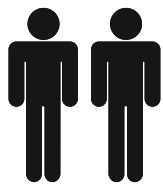
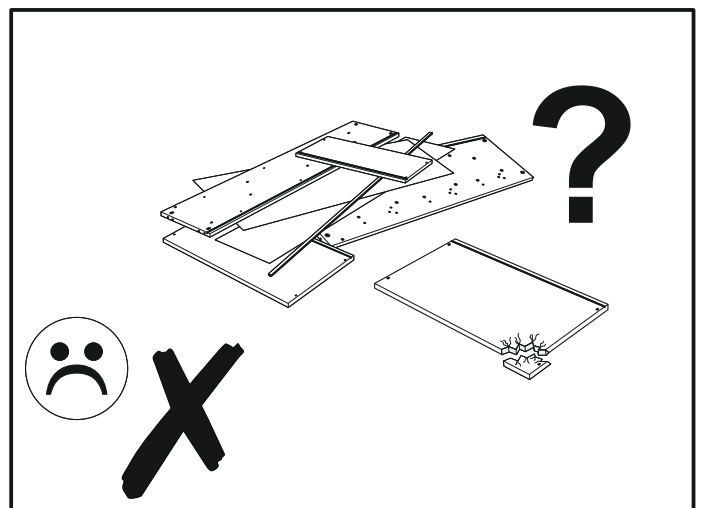
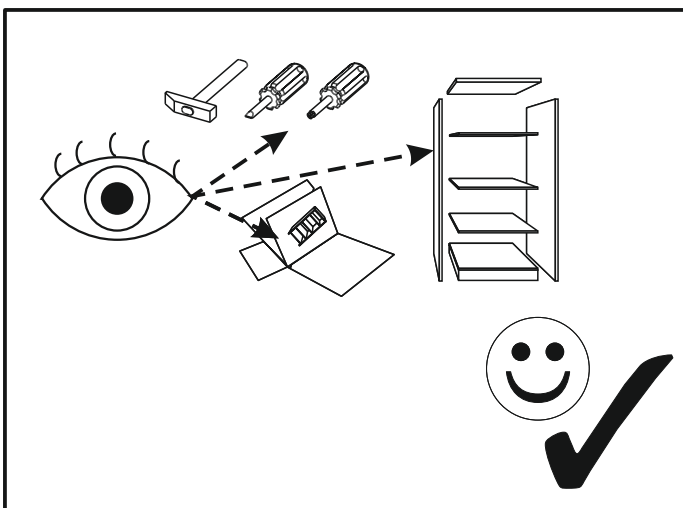
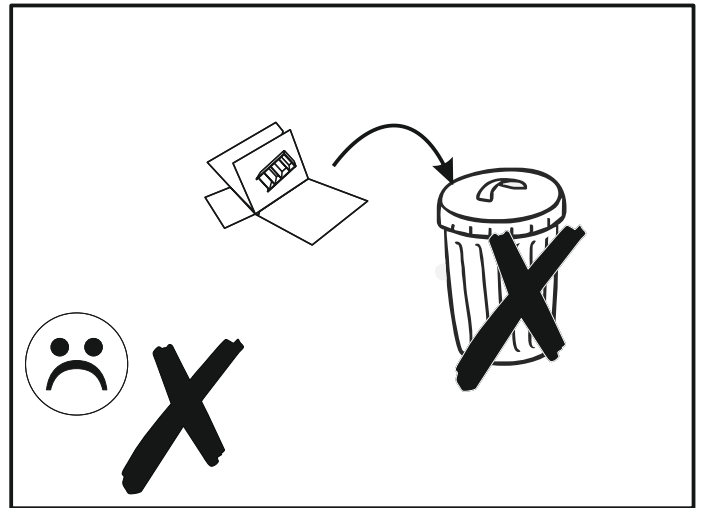
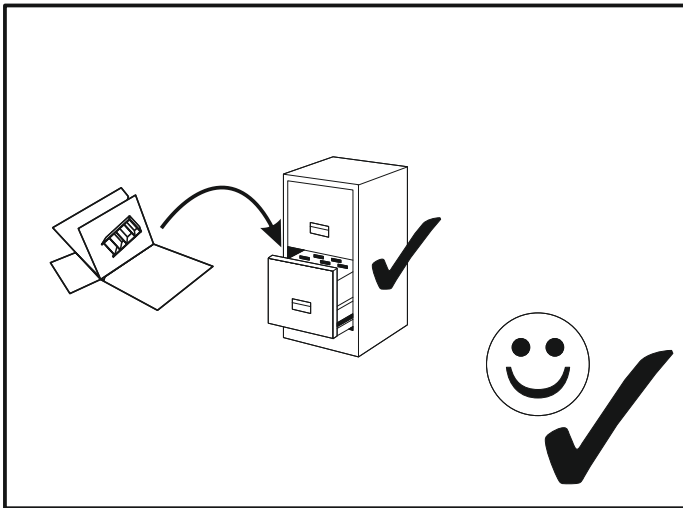
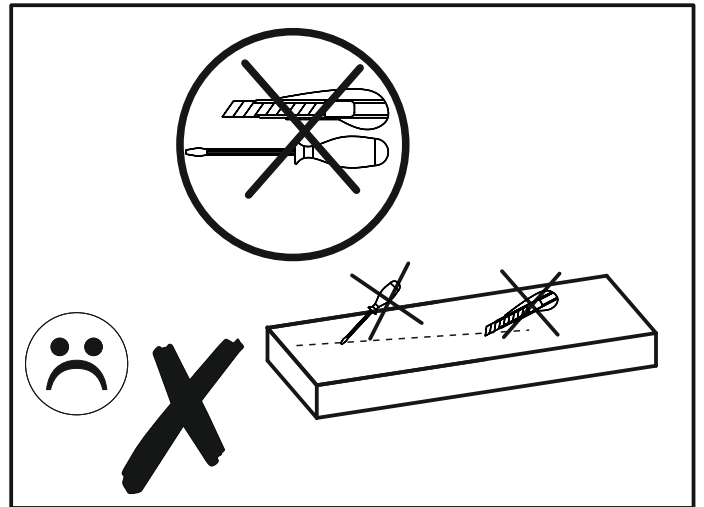
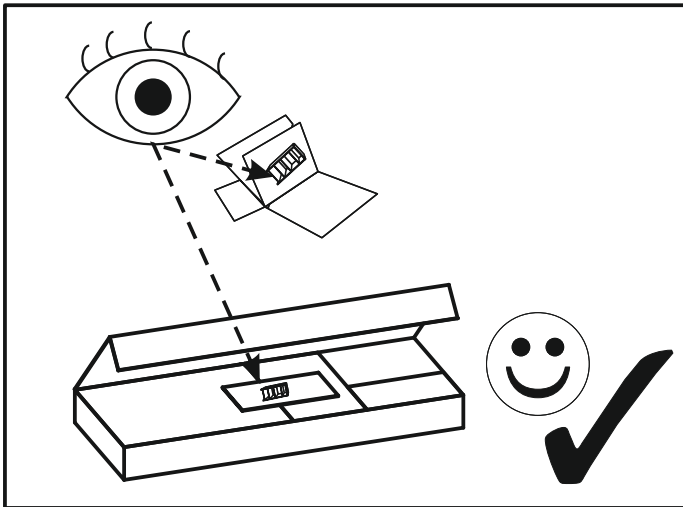
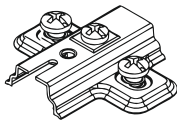
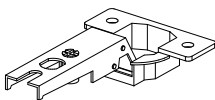
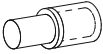
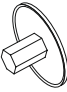
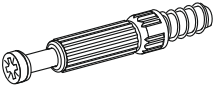



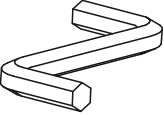
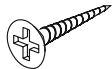
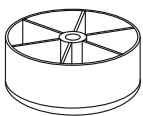
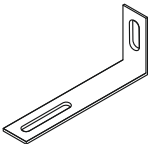
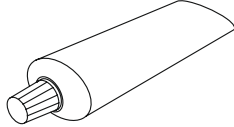
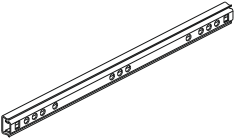



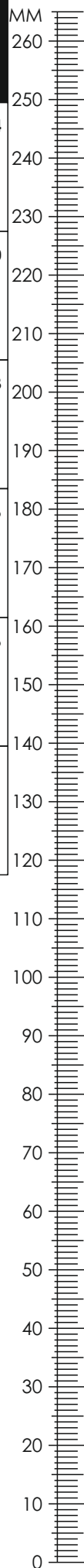
GEMINI KOMODA 2D-1S



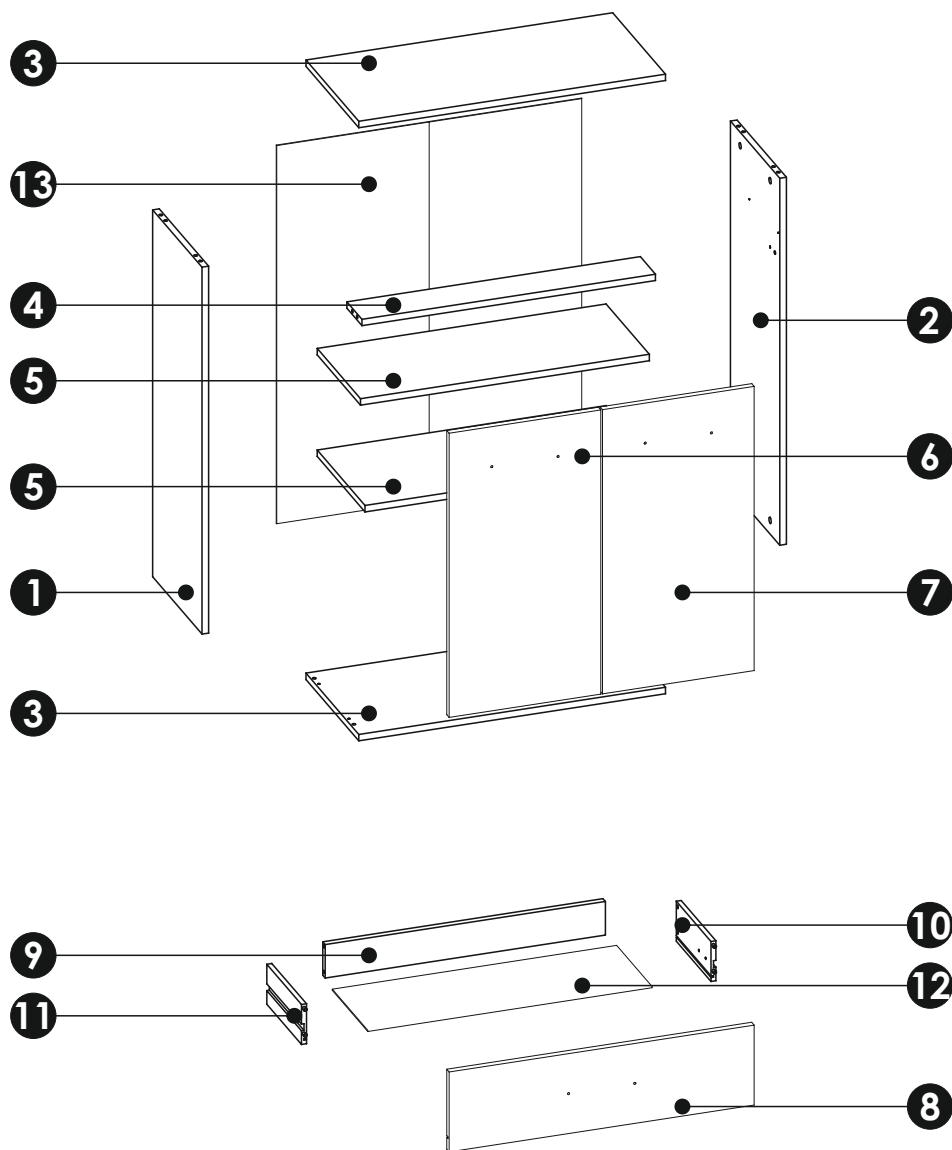
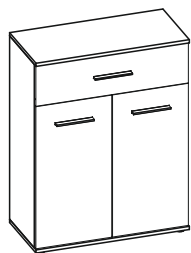


GEMINI KOMODA 2D-1S

A1	8 x 35 mm	x16	B0		x4	B1		x4
C2	5 x 13 mm	x12	D2		x8	E0		x10
E1	15 x 12 mm	x10	F1		x10	H1		x3
I2	3,5 x 16 mm	x1	I10		x4	I11		x6
K1	4 x 9 mm	x2	M		x1	N1		x26
O1		x4	Q9		x1	S		x1
T0		x2			x1			

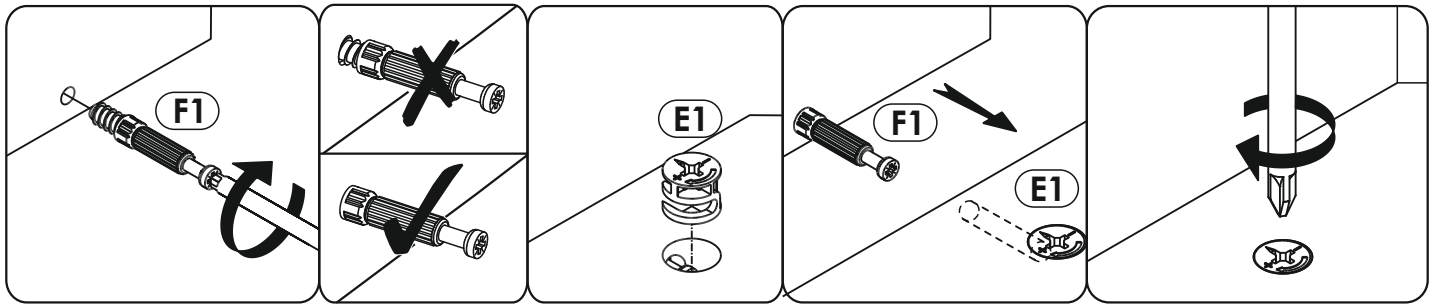


GEMINI KOMODA 2D-1S

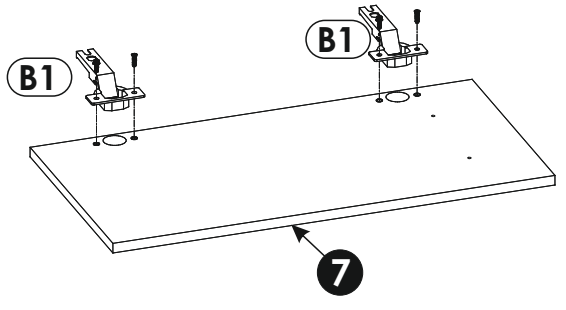
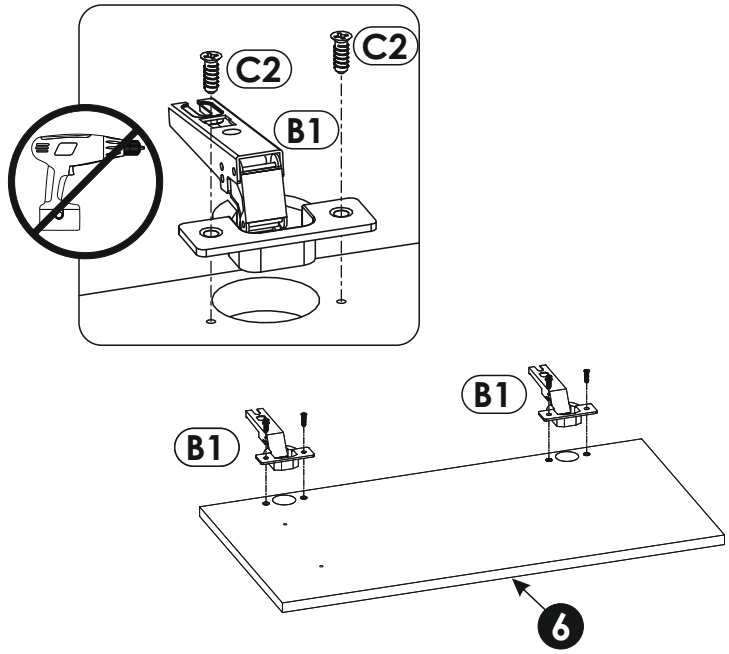
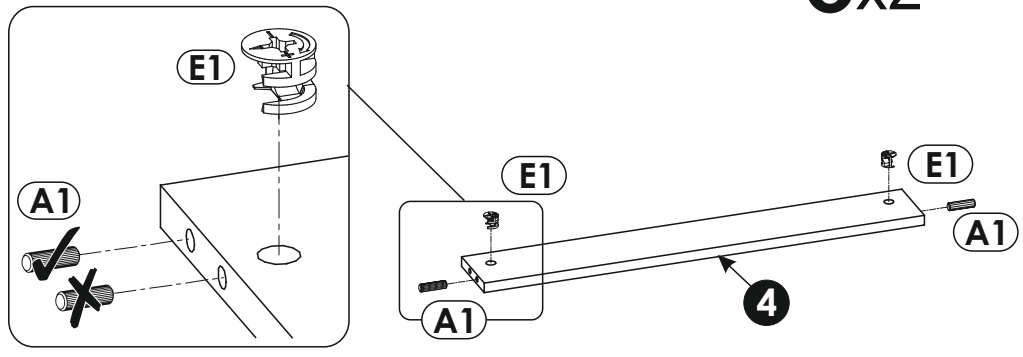
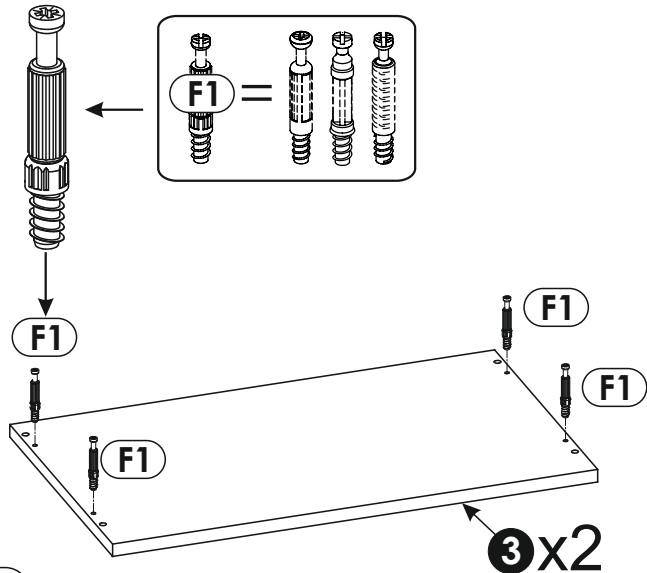


1	918	327	16 x1	1/1
2	918	327	16 x1	1/1
3	740	350	16 x2	1/1
4	708	100	16 x1	1/1
5	708	317	16 x2	1/1
6	711	366	16 x1	1/1

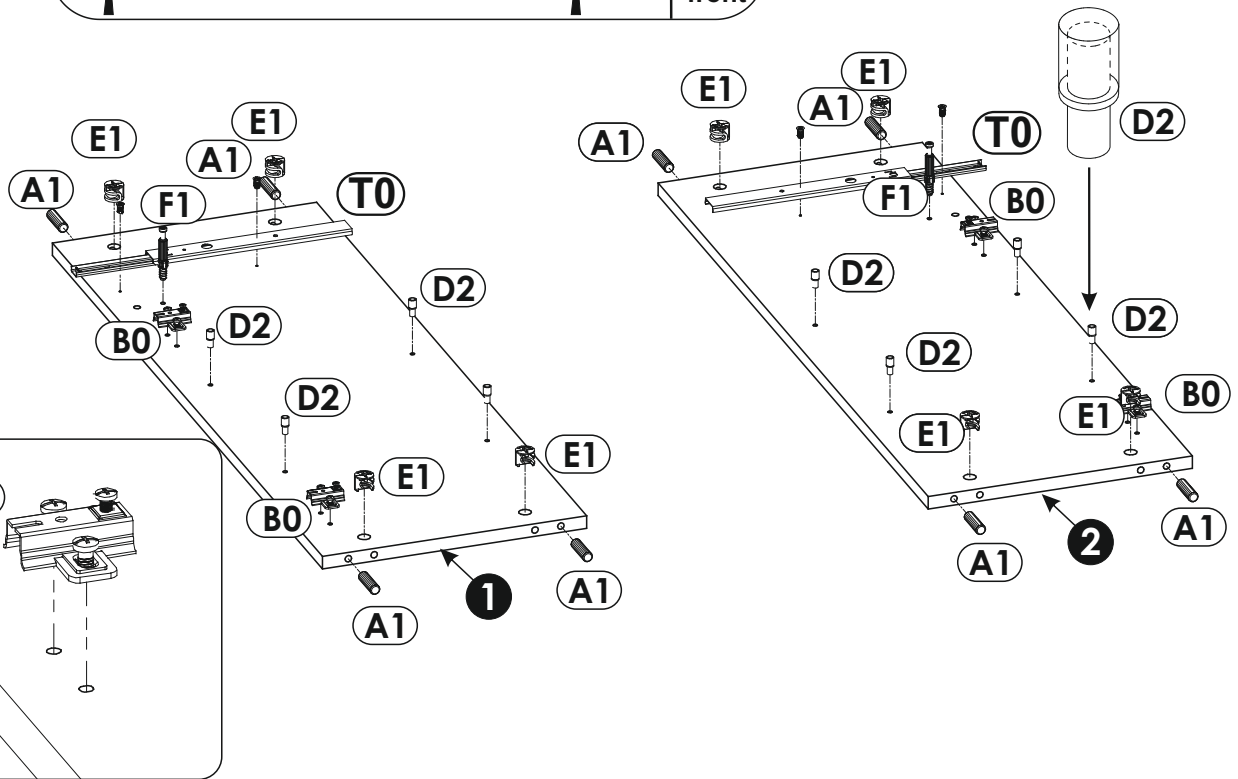
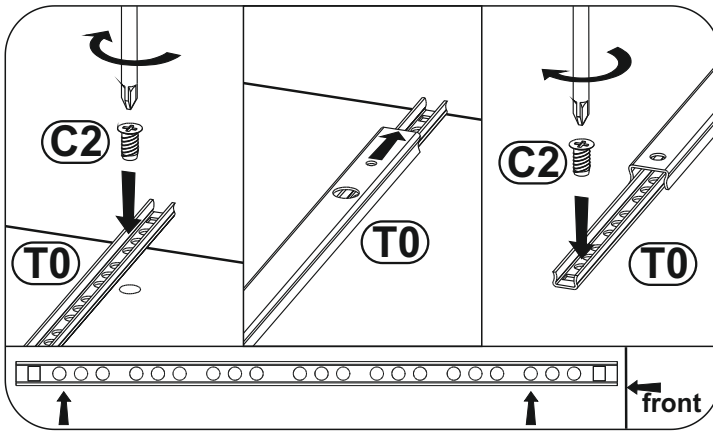
7	711	366	16 x1	1/1
8	736	200	16 x1	1/1
9	676	84	16 x1	1/1
10	230	100	12 x1	1/1
11	230	100	12 x1	1/1
12	686	235	3 x1	1/1
13	946	736	3 x1	1/1



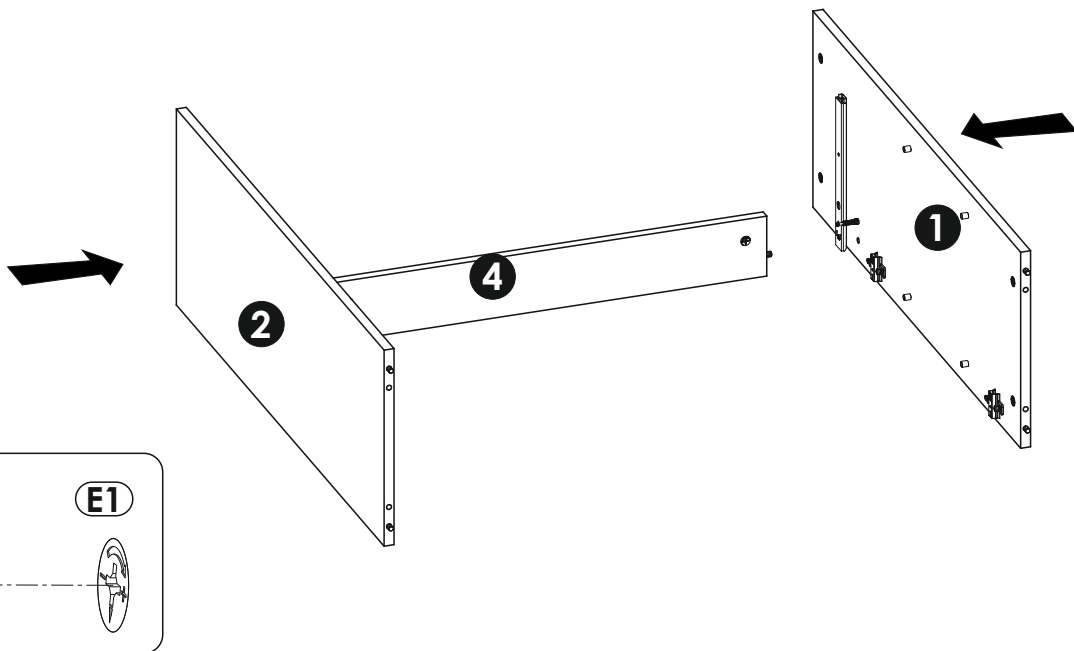
1 ▶



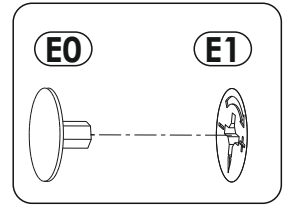
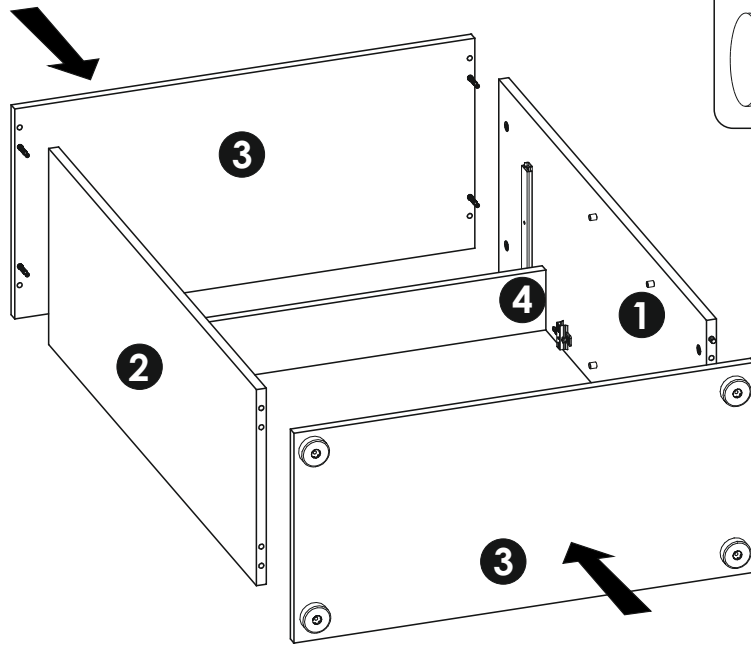
2 ▶



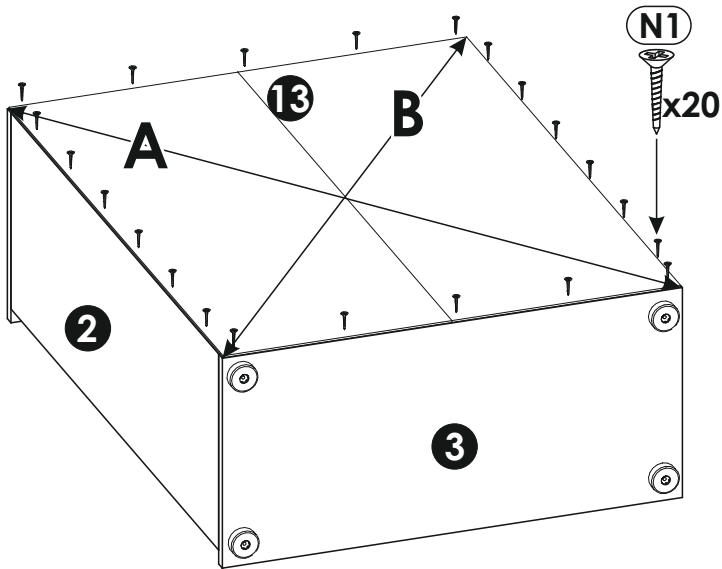
3 ▶



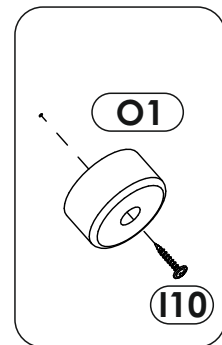
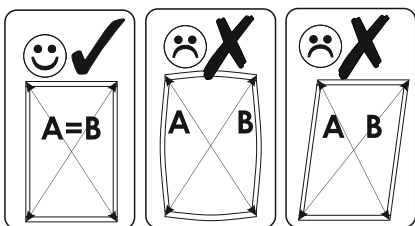
4▶



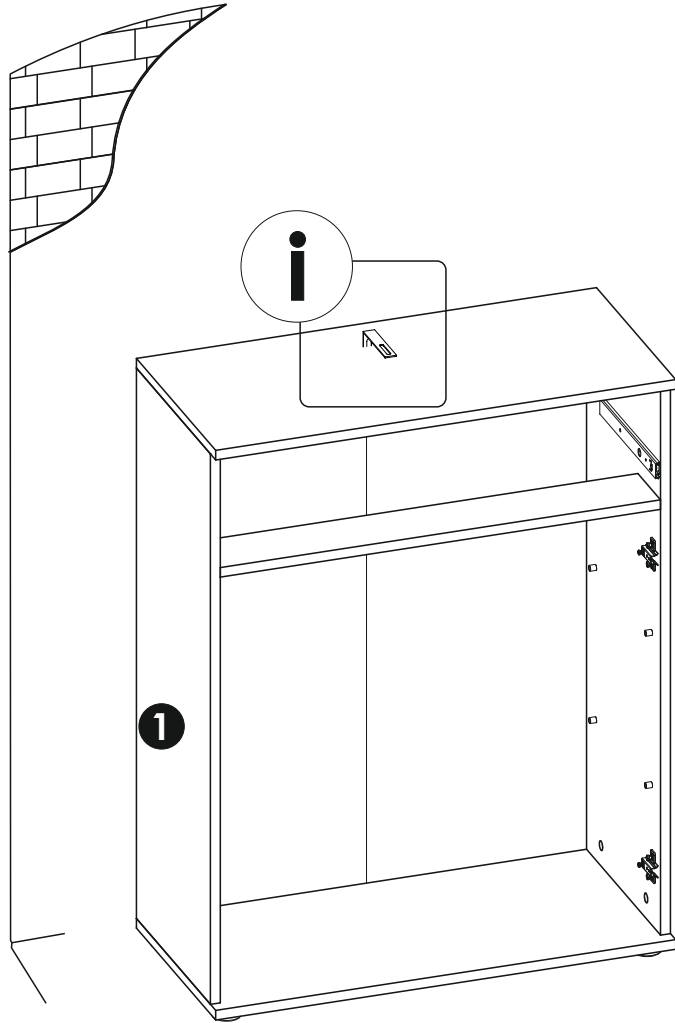
5▶



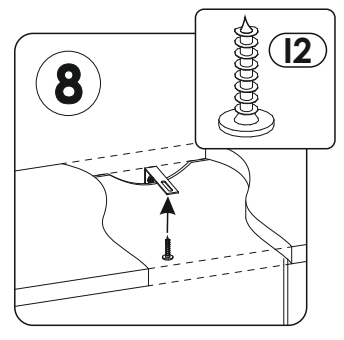
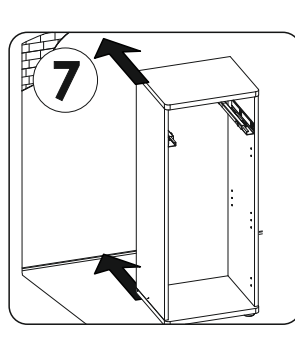
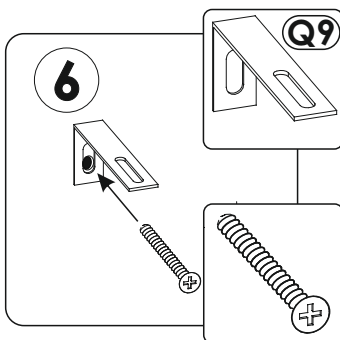
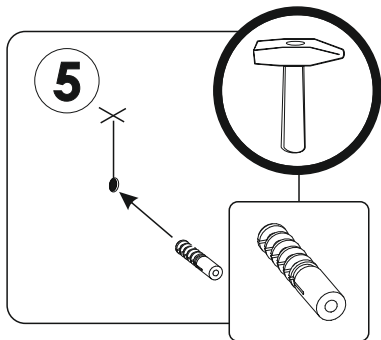
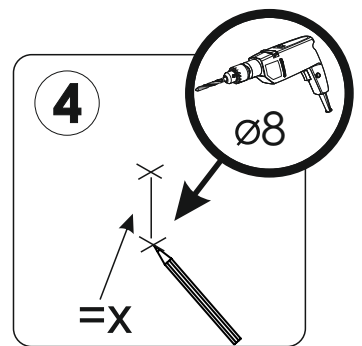
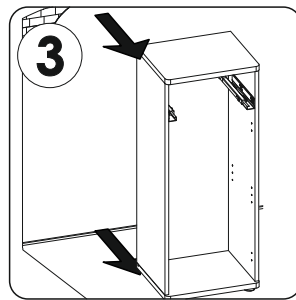
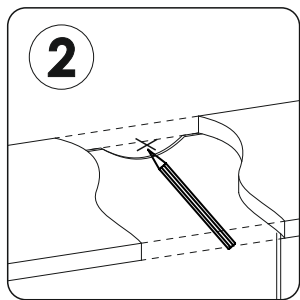
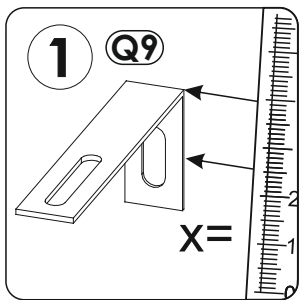
A=B



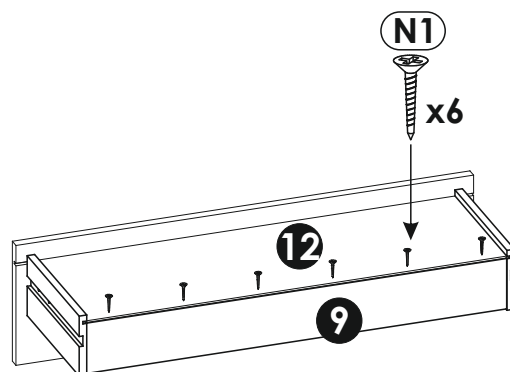
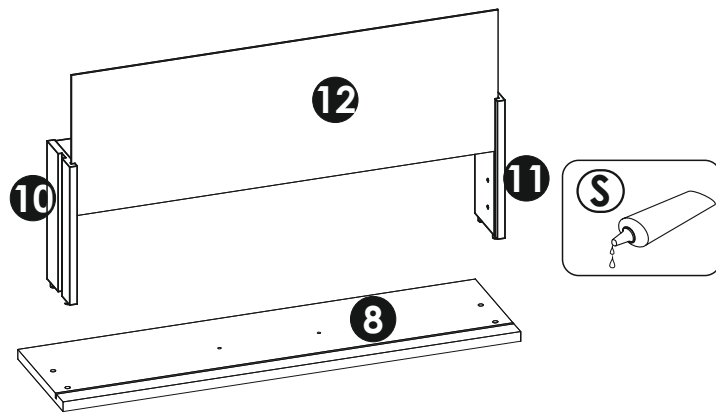
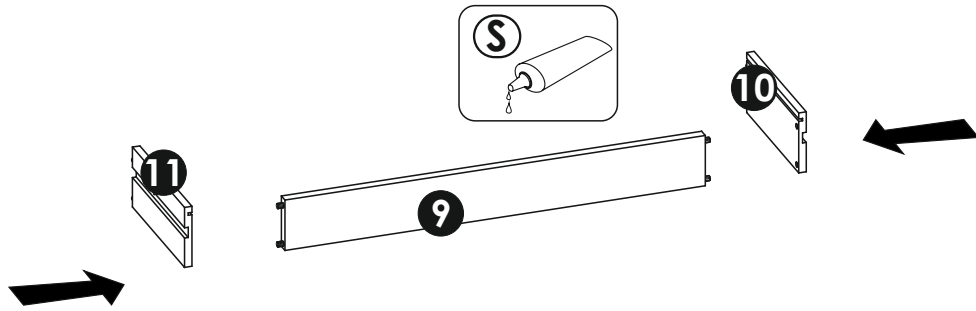
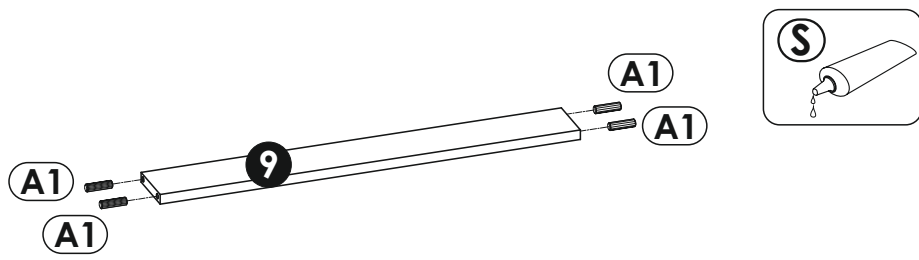
6 ▶



i



7 ▶



8 ▶

