



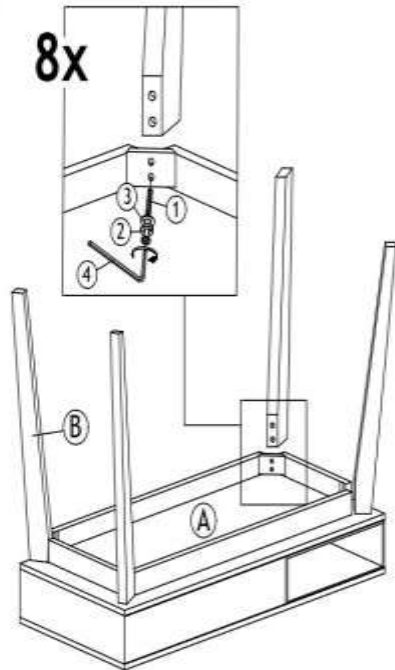


# ROMA C

ITEM	QTY	ITEM	DESCRIPTION	QTY
A	1 PC	1	M6 x 70MM 	8
B	4 PCS	2	$\frac{1}{2}$ " 	8
		3	$\frac{1}{2}$ " 	8
		4	M4 ALLEN KEY 	1

STEP 1



STEP 2



ASSEMBLY COMPLETED