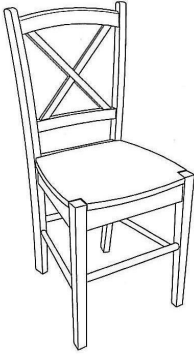
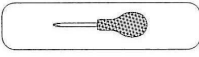
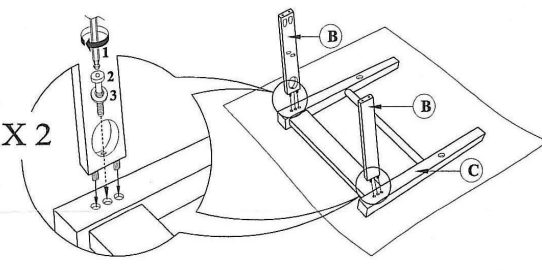
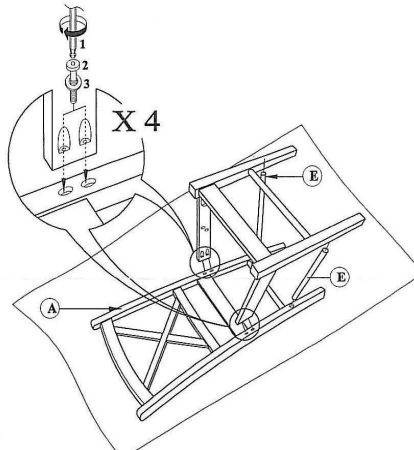
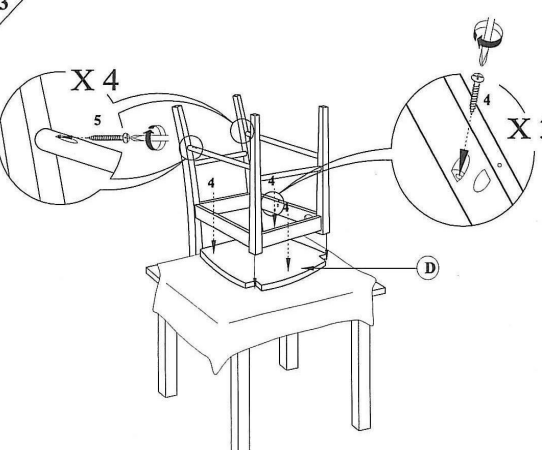
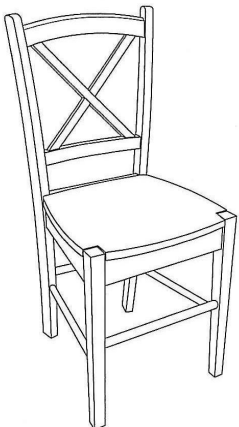


CD - 56

| | | | | | | | | | | | | | | | | | | | | | | | | | | | | | | | | | | | | | |
|--|--|------------|---|---|---|--|---|---|--|---|---|--|---|---|--|---|---|---|--|------------|---|---|--|-----------|---|---|--|------|---|---|--|--------|---|---|--|--------|---|
|  | <table border="1"> <tr> <td>A</td> <td></td> <td>1</td> </tr> <tr> <td>B</td> <td></td> <td>2</td> </tr> <tr> <td>C</td> <td></td> <td>1</td> </tr> <tr> <td>D</td> <td></td> <td>1</td> </tr> <tr> <td>E</td> <td></td> <td>2</td> </tr> </table> | A | | 1 | B | | 2 | C | | 1 | D | | 1 | E | | 2 | <table border="1"> <tr> <td>1</td> <td></td> <td>M4 X 110MM</td> <td>1</td> </tr> <tr> <td>2</td> <td></td> <td>M6 X 50MM</td> <td>6</td> </tr> <tr> <td>3</td> <td></td> <td>1/4"</td> <td>6</td> </tr> <tr> <td>4</td> <td></td> <td>1 1/4"</td> <td>3</td> </tr> <tr> <td>5</td> <td></td> <td>1 1/2"</td> <td>4</td> </tr> </table>  | 1 | | M4 X 110MM | 1 | 2 | | M6 X 50MM | 6 | 3 | | 1/4" | 6 | 4 | | 1 1/4" | 3 | 5 | | 1 1/2" | 4 |
| A | | 1 | | | | | | | | | | | | | | | | | | | | | | | | | | | | | | | | | | | |
| B | | 2 | | | | | | | | | | | | | | | | | | | | | | | | | | | | | | | | | | | |
| C | | 1 | | | | | | | | | | | | | | | | | | | | | | | | | | | | | | | | | | | |
| D | | 1 | | | | | | | | | | | | | | | | | | | | | | | | | | | | | | | | | | | |
| E | | 2 | | | | | | | | | | | | | | | | | | | | | | | | | | | | | | | | | | | |
| 1 | | M4 X 110MM | 1 | | | | | | | | | | | | | | | | | | | | | | | | | | | | | | | | | | |
| 2 | | M6 X 50MM | 6 | | | | | | | | | | | | | | | | | | | | | | | | | | | | | | | | | | |
| 3 | | 1/4" | 6 | | | | | | | | | | | | | | | | | | | | | | | | | | | | | | | | | | |
| 4 | | 1 1/4" | 3 | | | | | | | | | | | | | | | | | | | | | | | | | | | | | | | | | | |
| 5 | | 1 1/2" | 4 | | | | | | | | | | | | | | | | | | | | | | | | | | | | | | | | | | |
| <p>1</p>  <p>X 2</p> | <p>2</p>  <p>X 4</p> | | | | | | | | | | | | | | | | | | | | | | | | | | | | | | | | | | | | |
| <p>3</p>  <p>X 4</p> <p>X 3</p> |  | | | | | | | | | | | | | | | | | | | | | | | | | | | | | | | | | | | | |