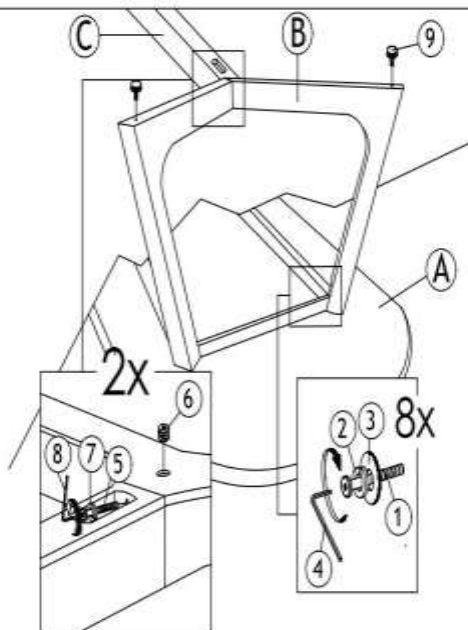


DOSSIER II

ITEM	QTY	ITEM	DESCRIPTION	QTY
A	1 PC	1	M6 X 70MM	8
B	2 PCS	1	$\frac{5}{16}$ "	8
C	1 PC	1	$\frac{5}{16}$ "	8
		1	M5 ALLEY KEY	1
		1	M6 X 70MM	2
		1	M6 X 13MM	2
		1	$\frac{1}{2}$ "	2
		1	M4 ALLEN KEY LONG	1
		1	$\frac{1}{4}$ "	4

STEP 1



STEP 2

