

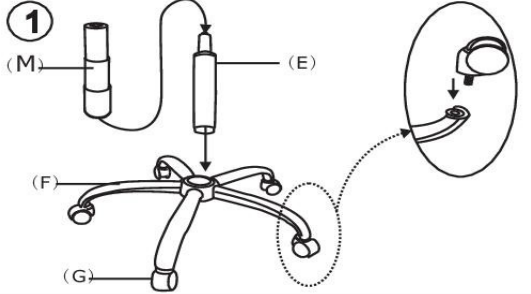
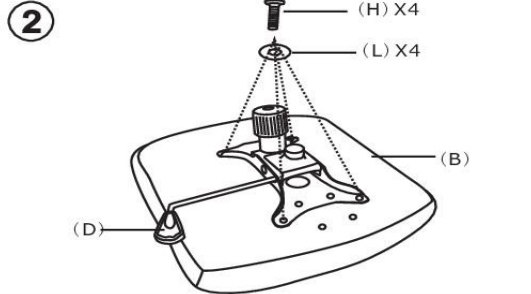


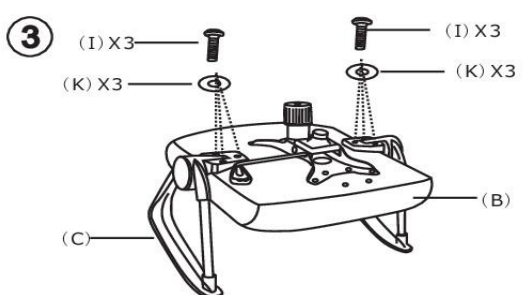
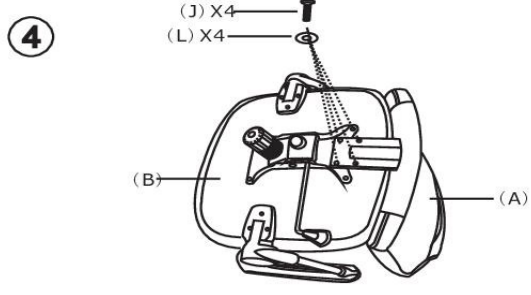


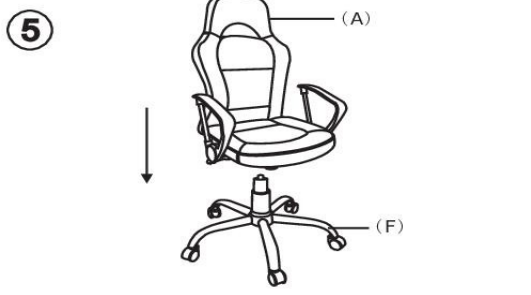



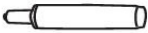



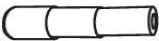


INSTRUKCJA MONTAŻU/Assembly Instruction

Q-033/D-9123

<p>AX1</p> 	<p>GX5</p> 	<p>1</p> 	<p>2</p> 
<p>BX1</p> 	<p>HX4</p> 	<p>3</p> 	<p>4</p> 
<p>CX1(L)X(R)</p> 	<p>Ix6</p> 	<p>5</p> 	<p>6</p> 
<p>DX1</p> 	<p>Jx4</p> 		
<p>EX1</p> 	<p>Kx6</p> 		
<p>FX1</p> 	<p>Lx8</p> 		
	<p>Mx1</p> 		
	<p>Nx1</p> 