





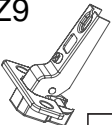



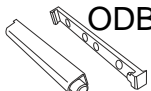


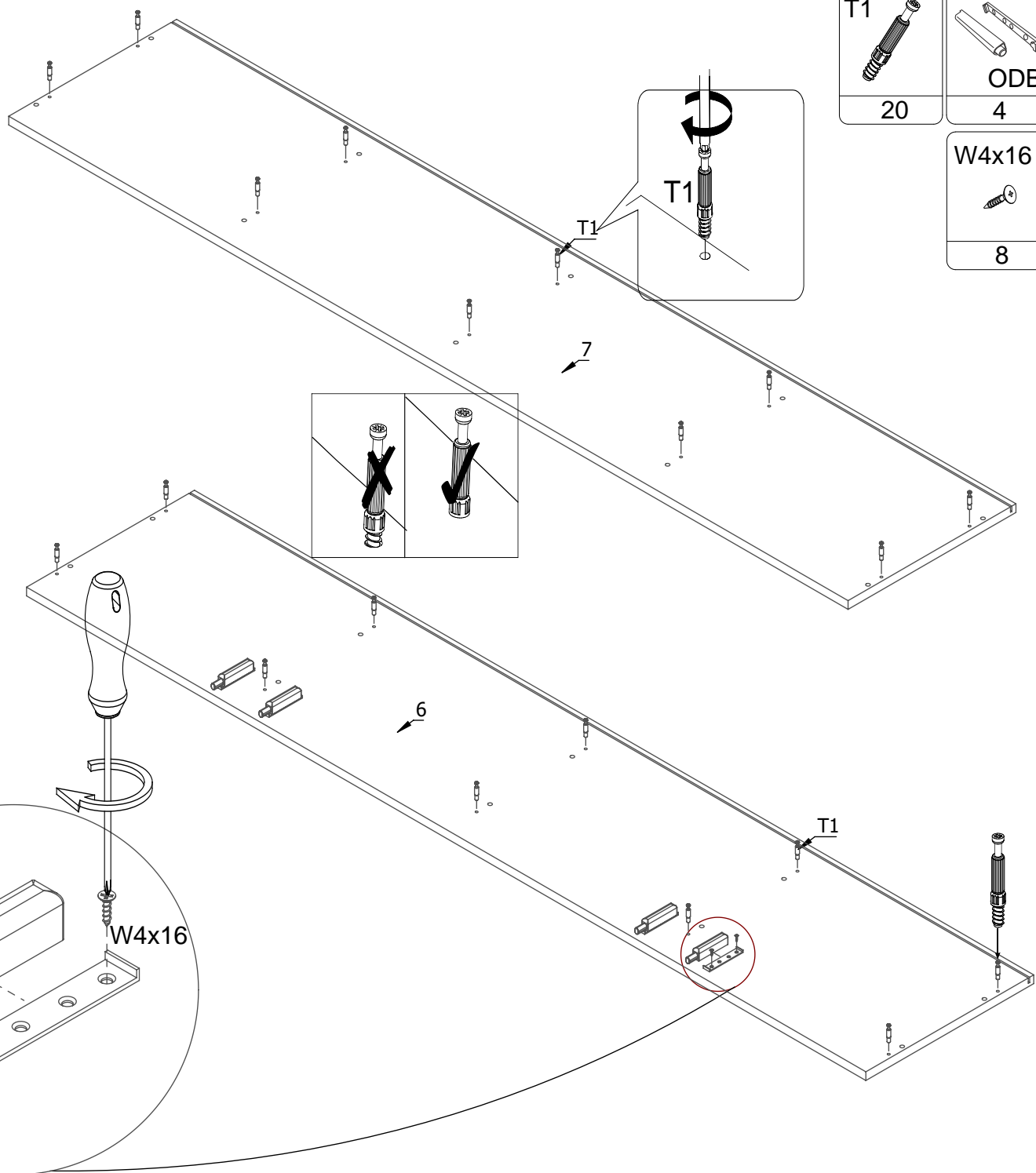
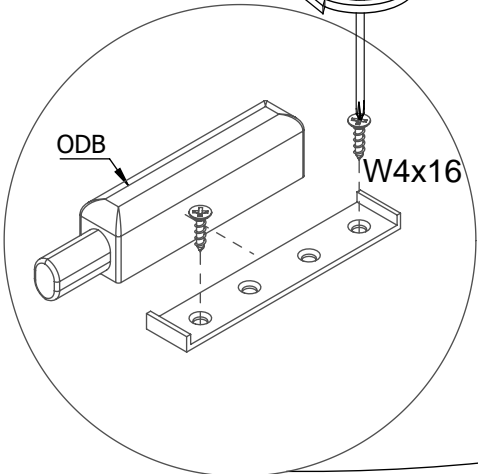


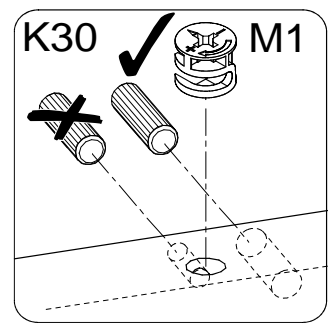
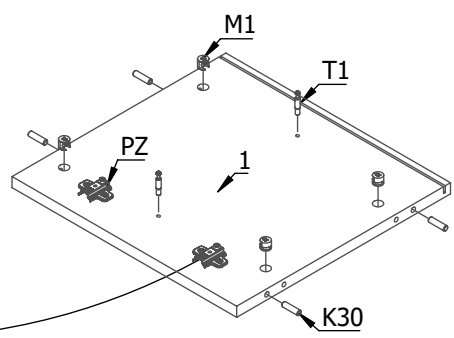
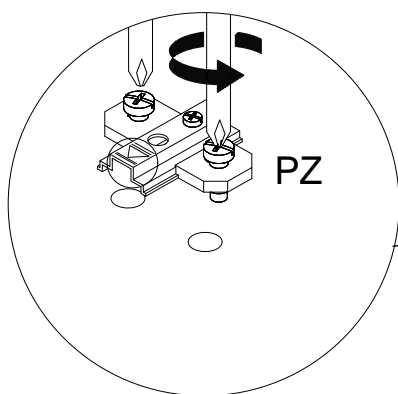
<p>K30</p>  <p>20</p>	<p>T1</p>  <p>28</p>	<p>M1</p>  <p>28</p>	<p>Z15</p>  <p>4</p>	<p>PZ</p>  <p>4</p>	<p>X</p>  <p>28</p>	<p>Z9</p>  <p>4</p>
<p>STB</p>  <p>16</p>	<p>W4x16</p>  <p>44</p>	<p>NB</p>  <p>5</p>	<p>ODB</p>  <p>4</p>	<p>PP</p>  <p>8</p>	<p>PZ9</p>  <p>4</p>	








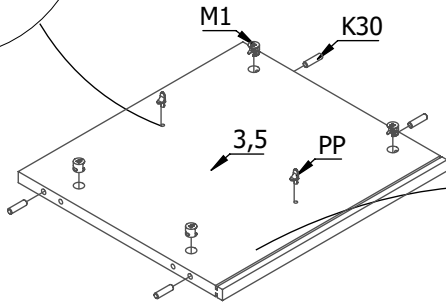
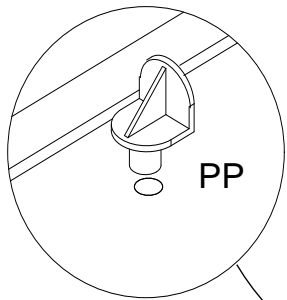
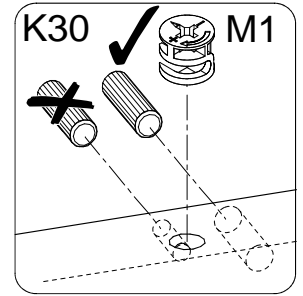
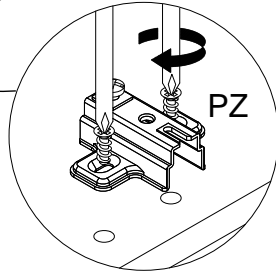
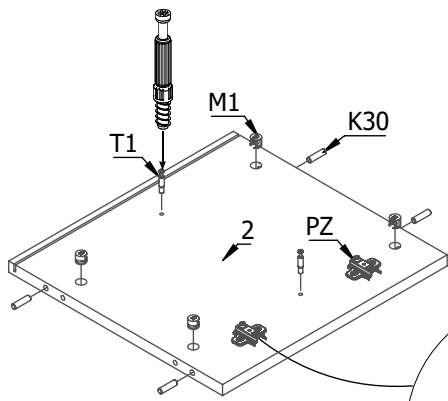
T1		20
ODB		4
W4x16		8



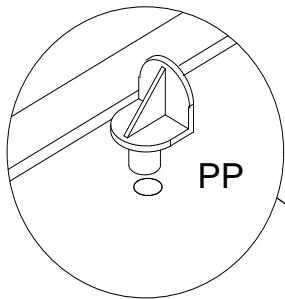
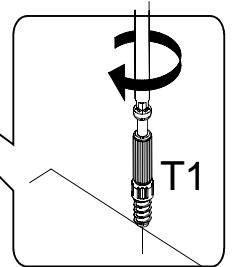
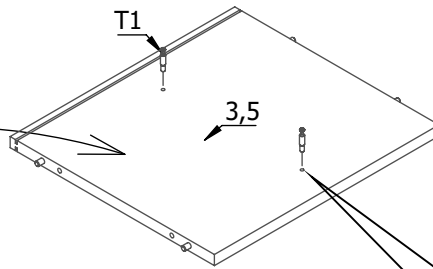
T1		2
PZ		2
M1		4
K30		4


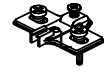

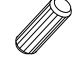


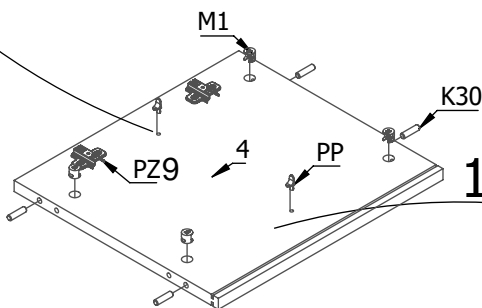
T1  6	PZ  2	M1  12	K30  12
PP  4			



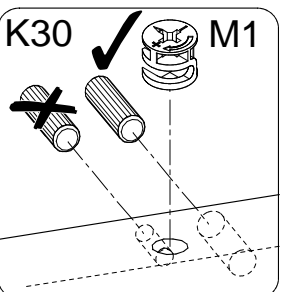
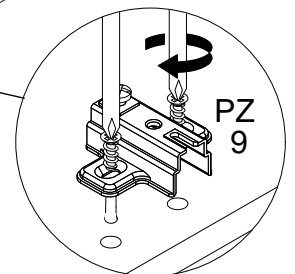
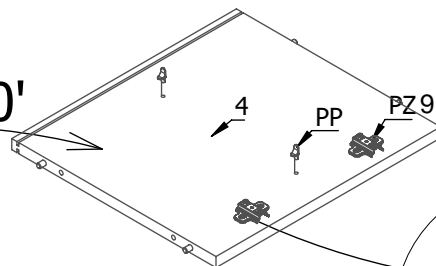
180'
x2


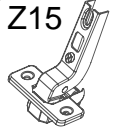
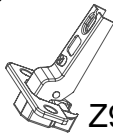


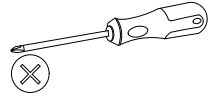
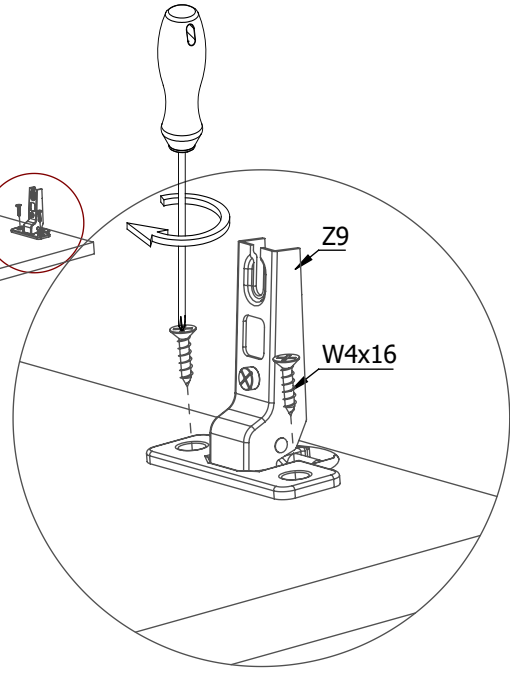
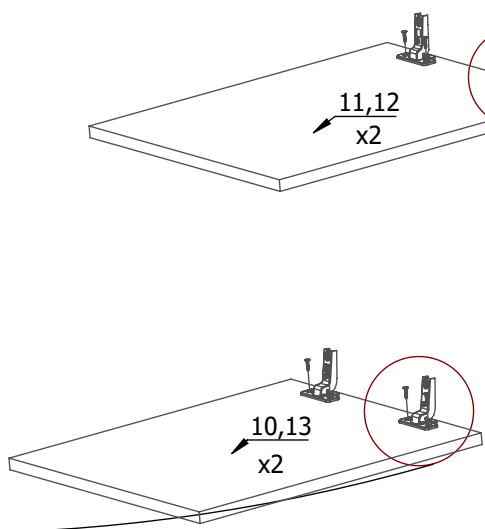
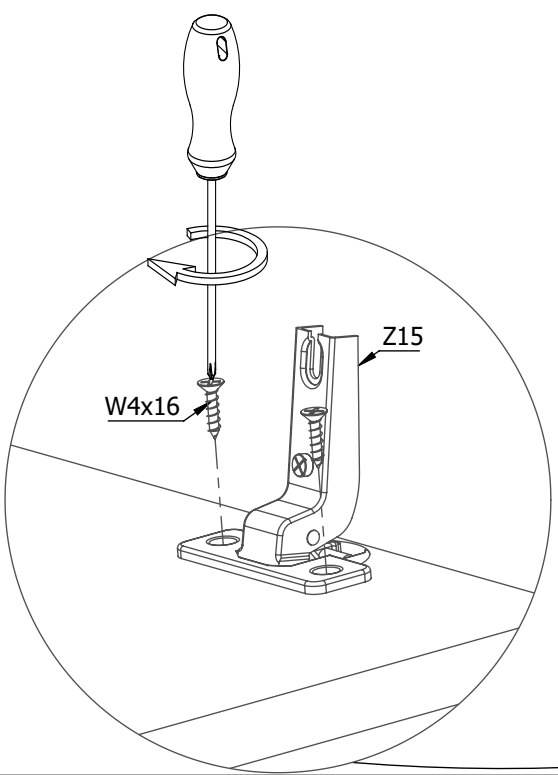
PP  4	PZ9  4	M1  4	K30  4
--	---	--	---




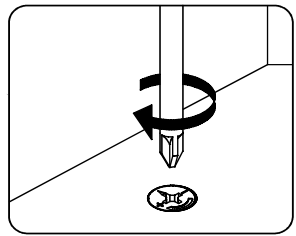
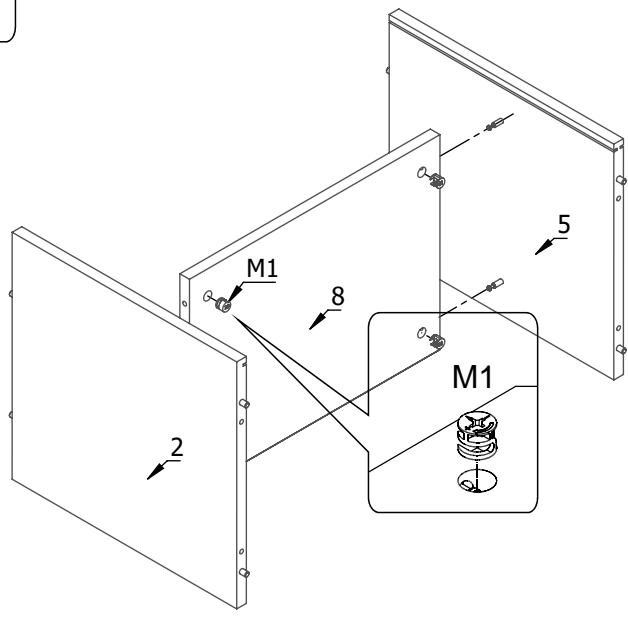
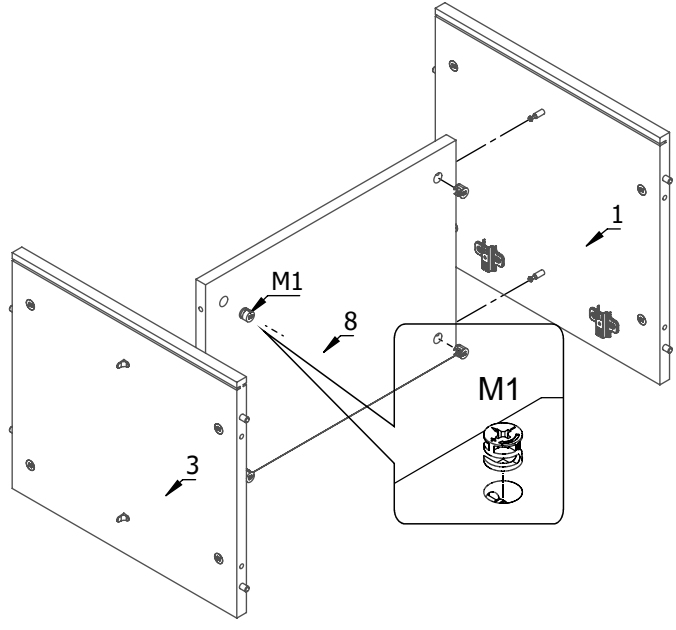
180'

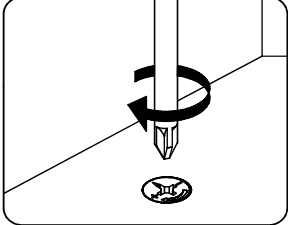
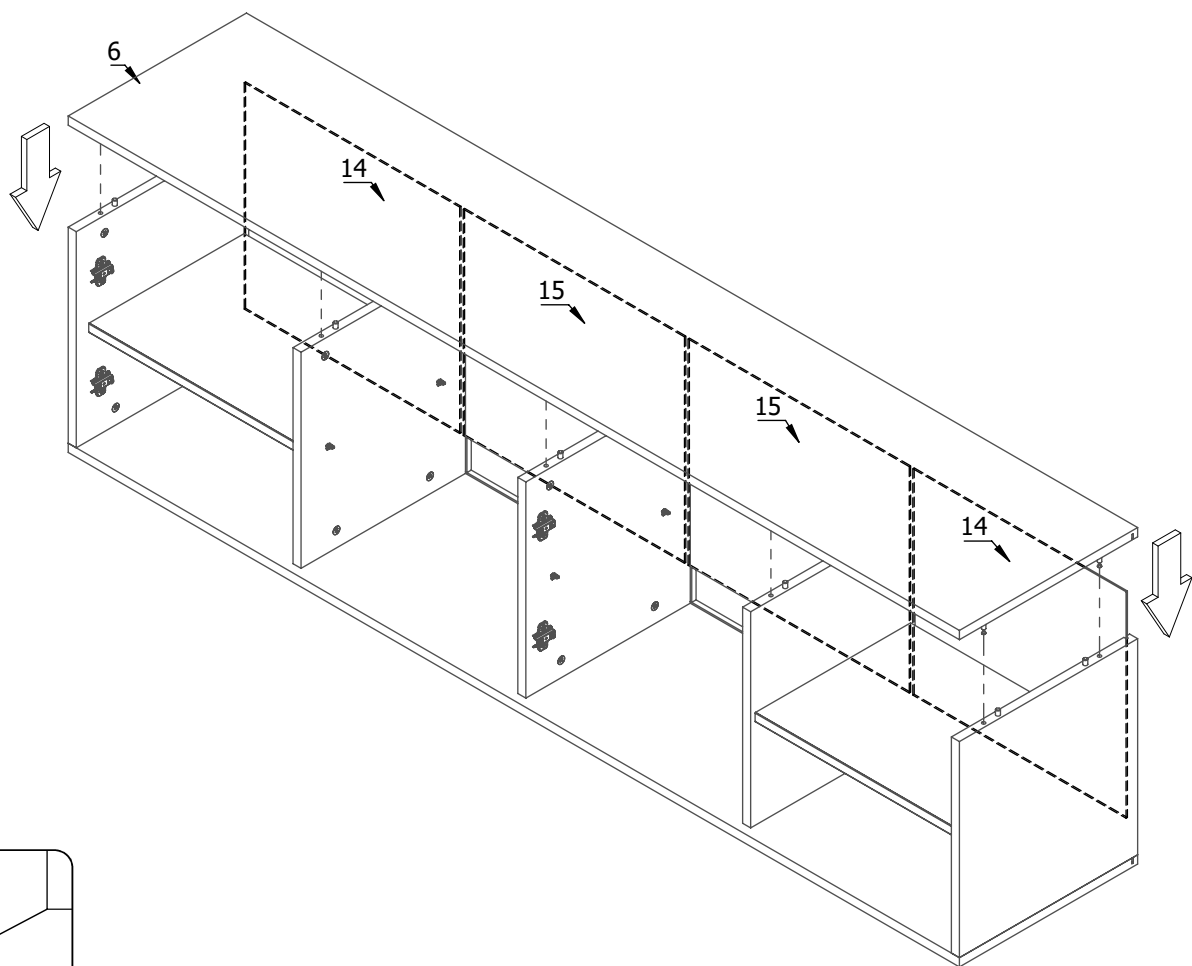
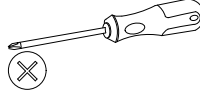
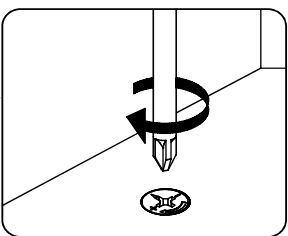
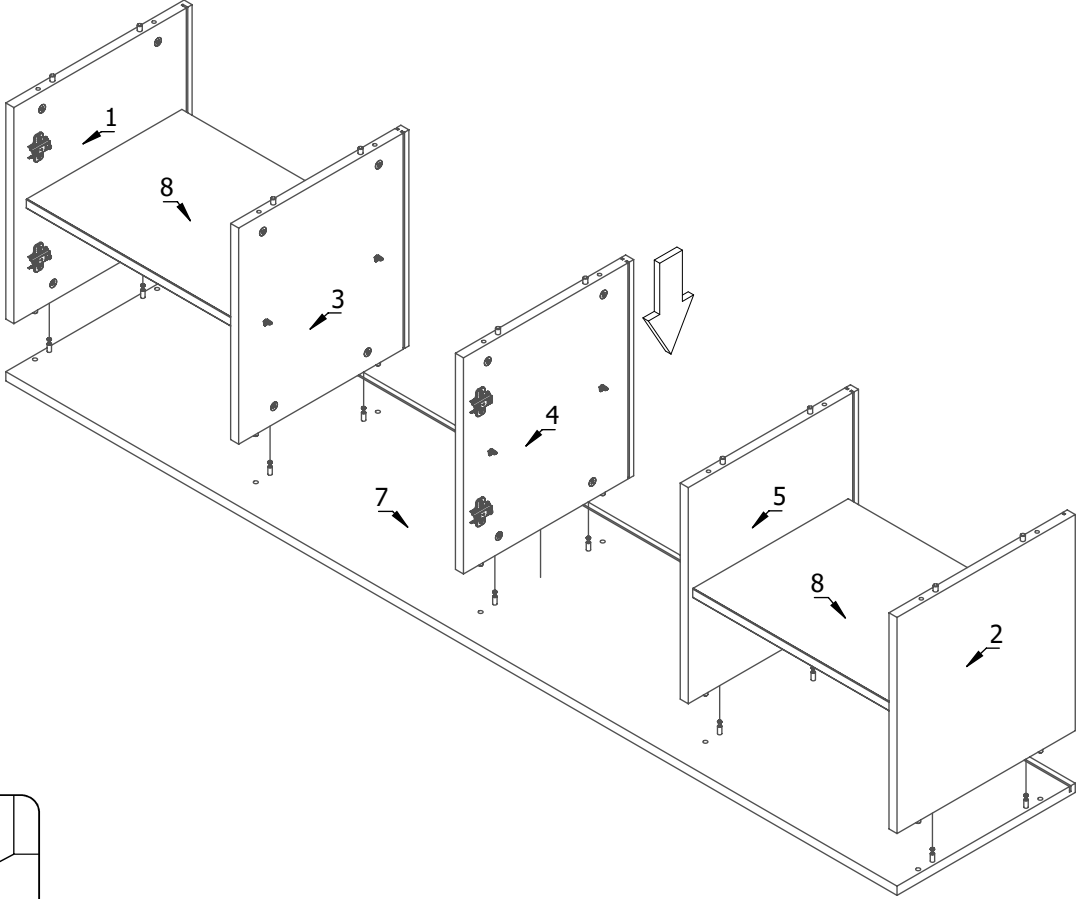
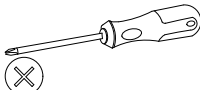





W4x16  16	Z15  4	Z9  4
--	--	---

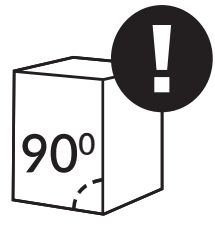
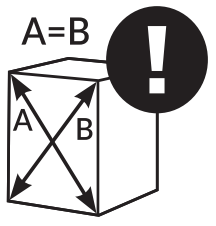
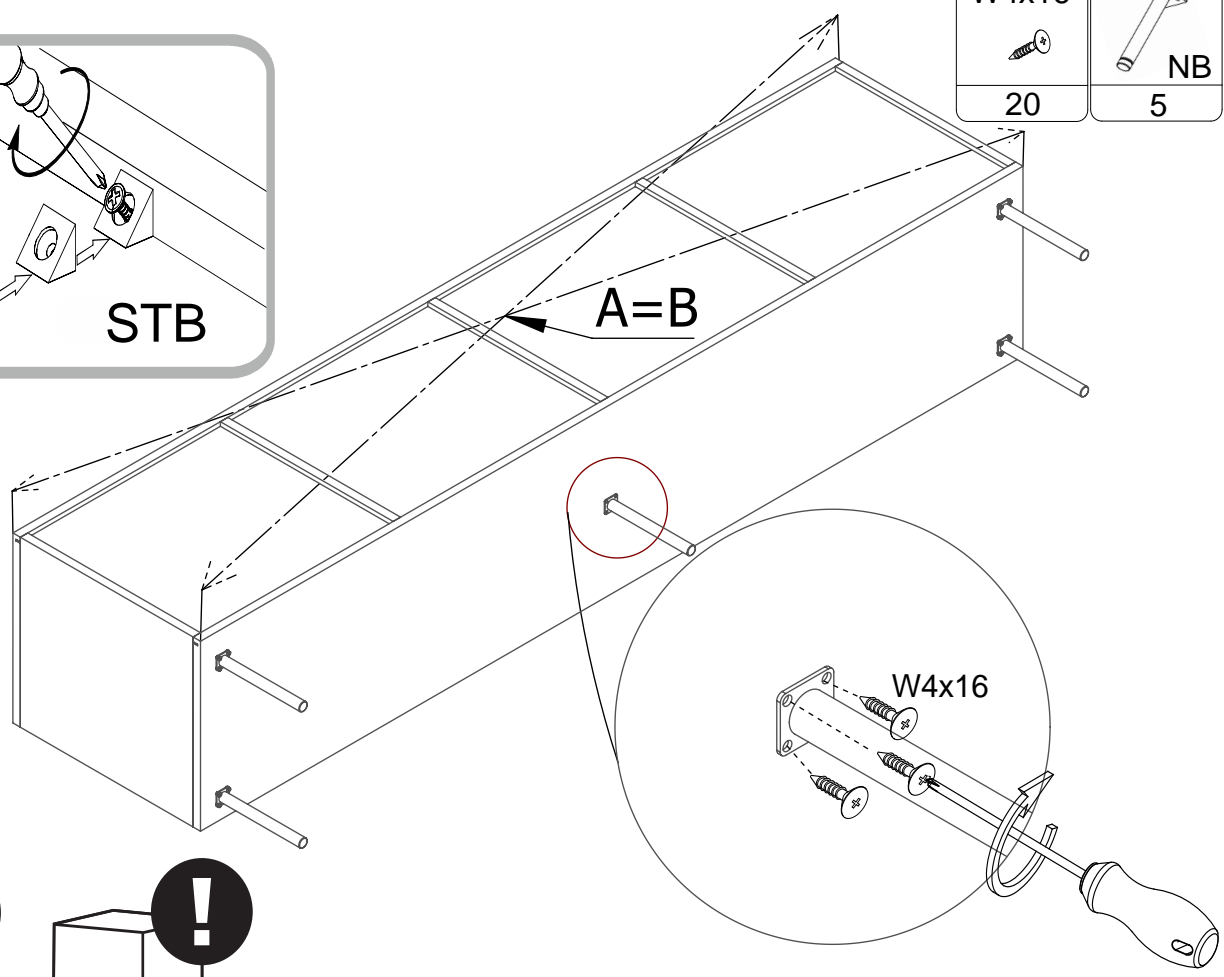
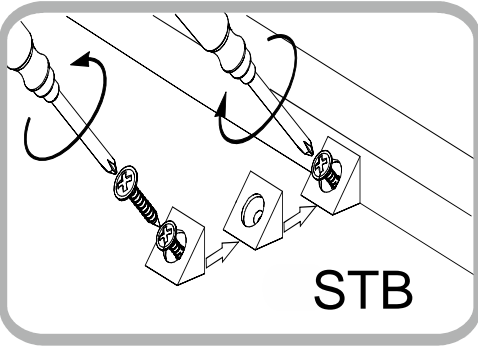



M1  8





W4x16 	 NB	 STB
20	5	16



X 
28

