
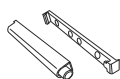

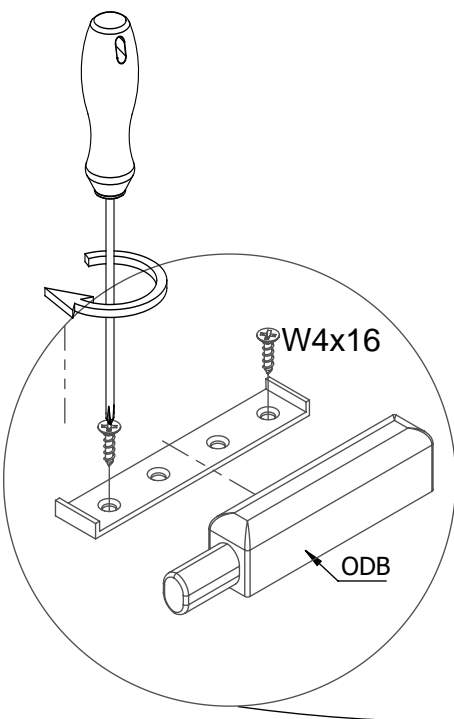
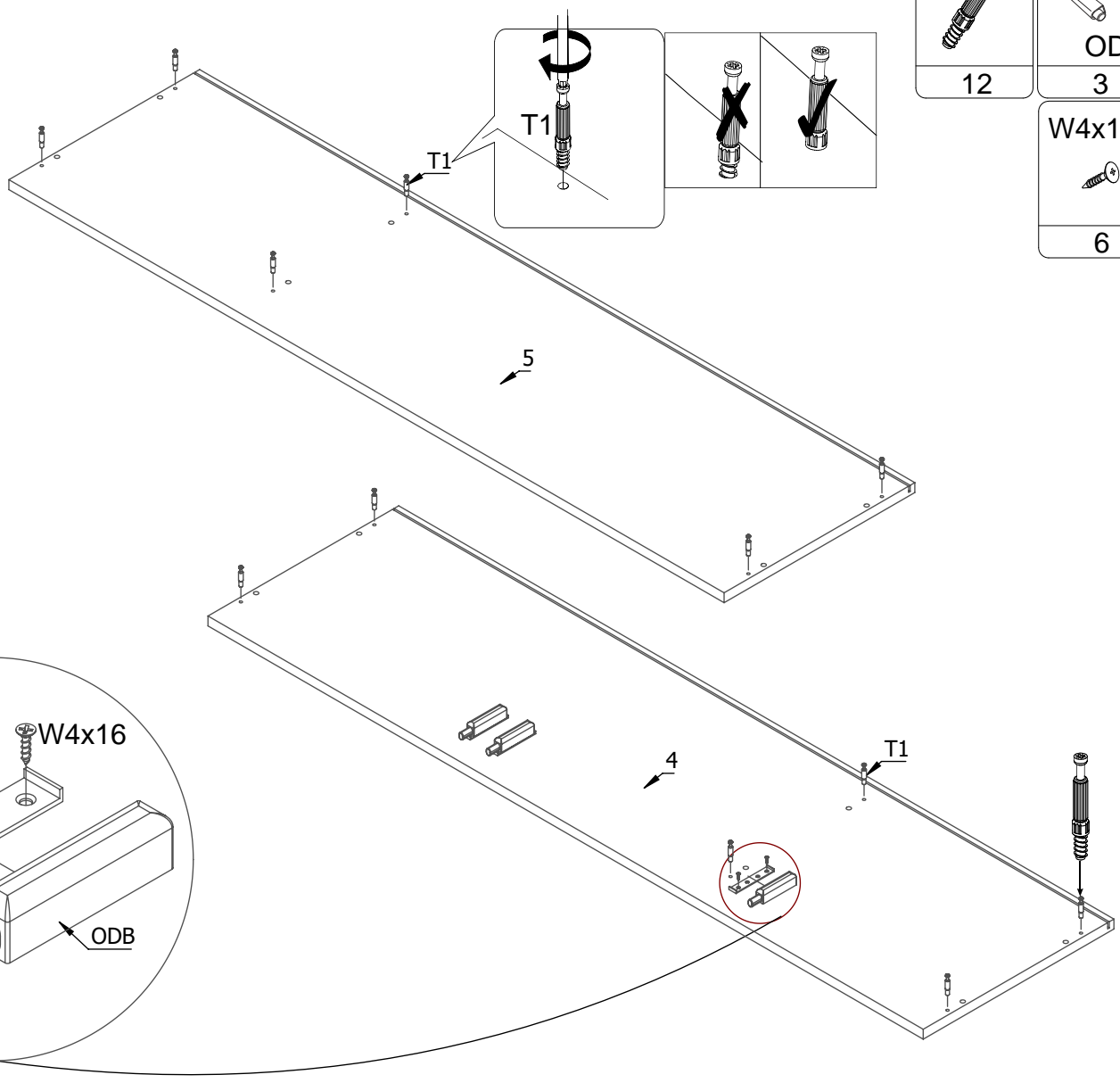
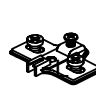


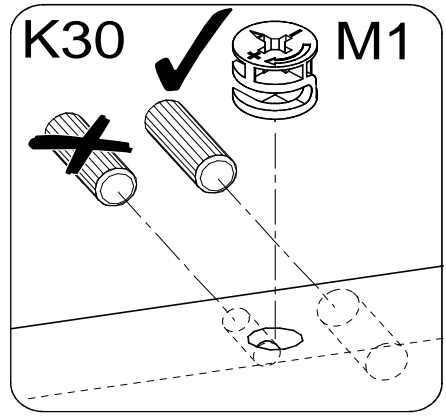
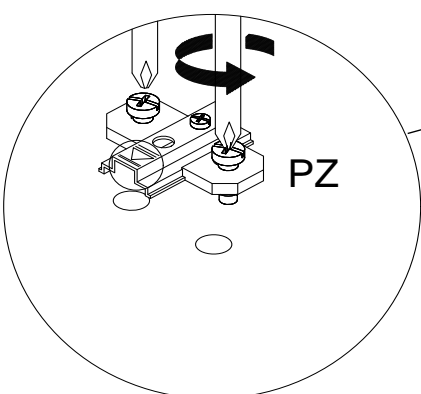
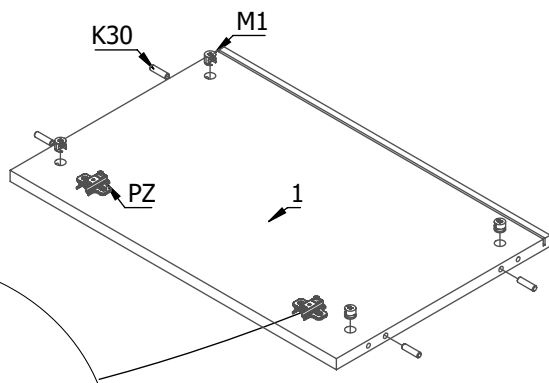






<p>K30</p> <p>12</p>	<p>T1</p> <p>16</p>	<p>M1</p> <p>16</p>	<p>Z15</p> <p>4</p>	<p>PZ</p> <p>6</p>	<p>X</p> <p>16</p>	<p>Z9</p> <p>2</p>
<p>STB</p> <p>10</p>	<p>W4x16</p> <p>38</p>	<p>NB</p> <p>5</p>	<p>ODB</p> <p>3</p>			

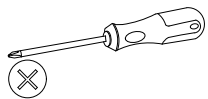
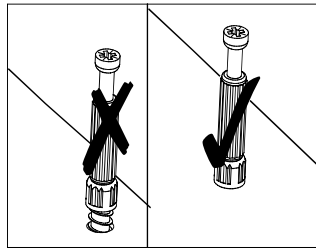
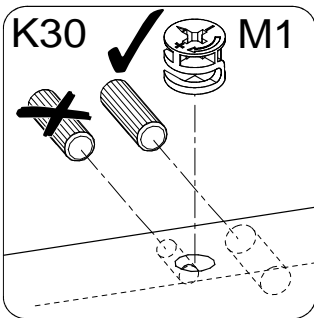
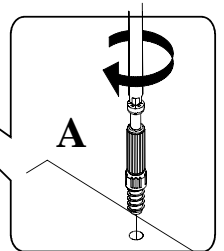
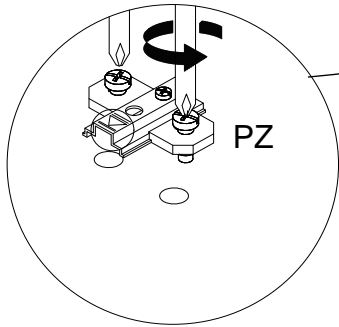
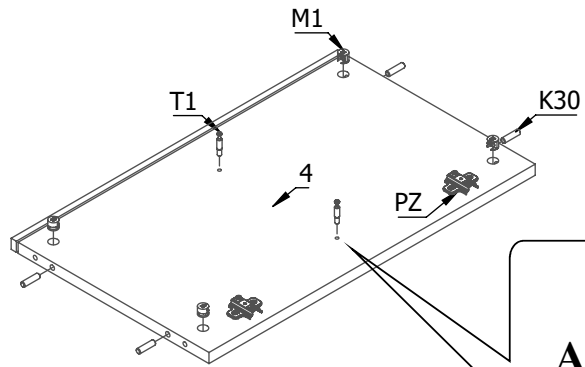
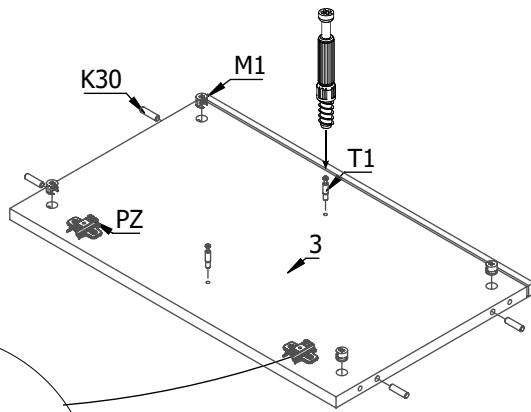
T1  12	ODB  3
W4x16  6	




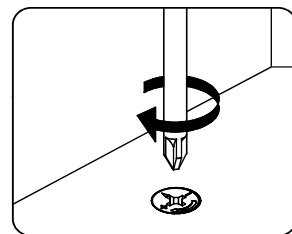
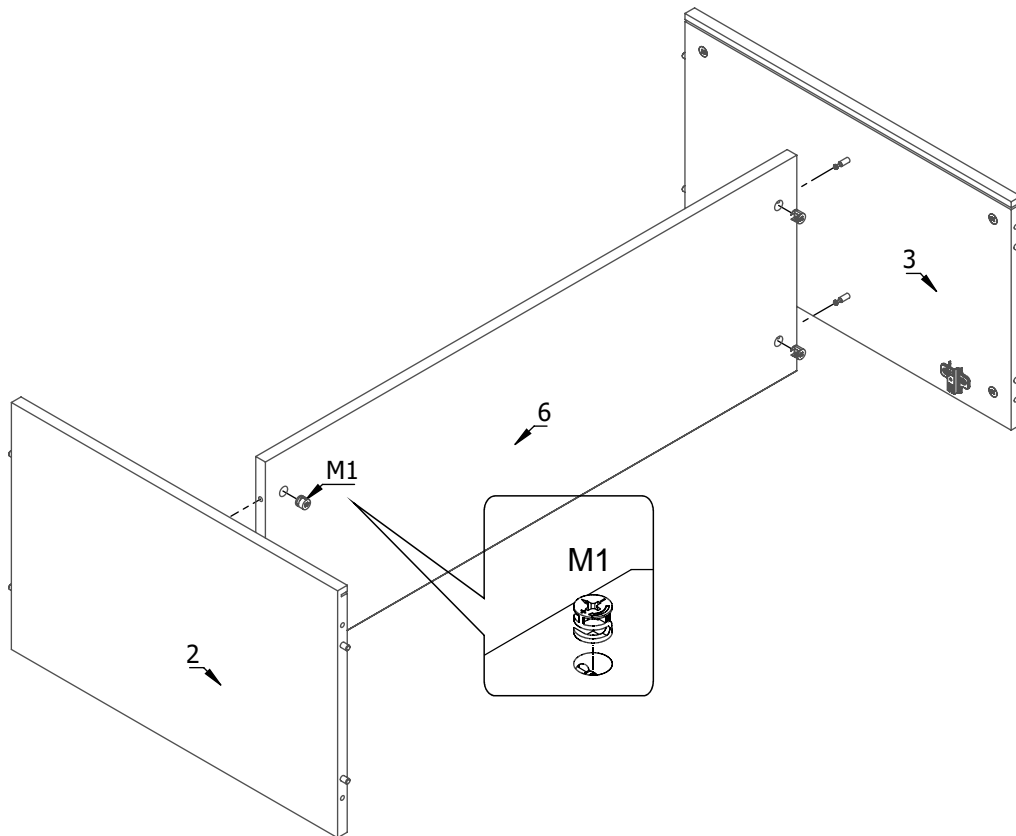
PZ  2	M1  4	K30  4
--	--	---

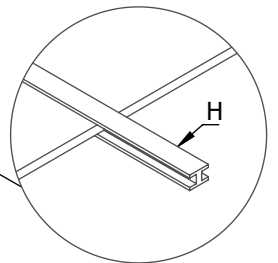
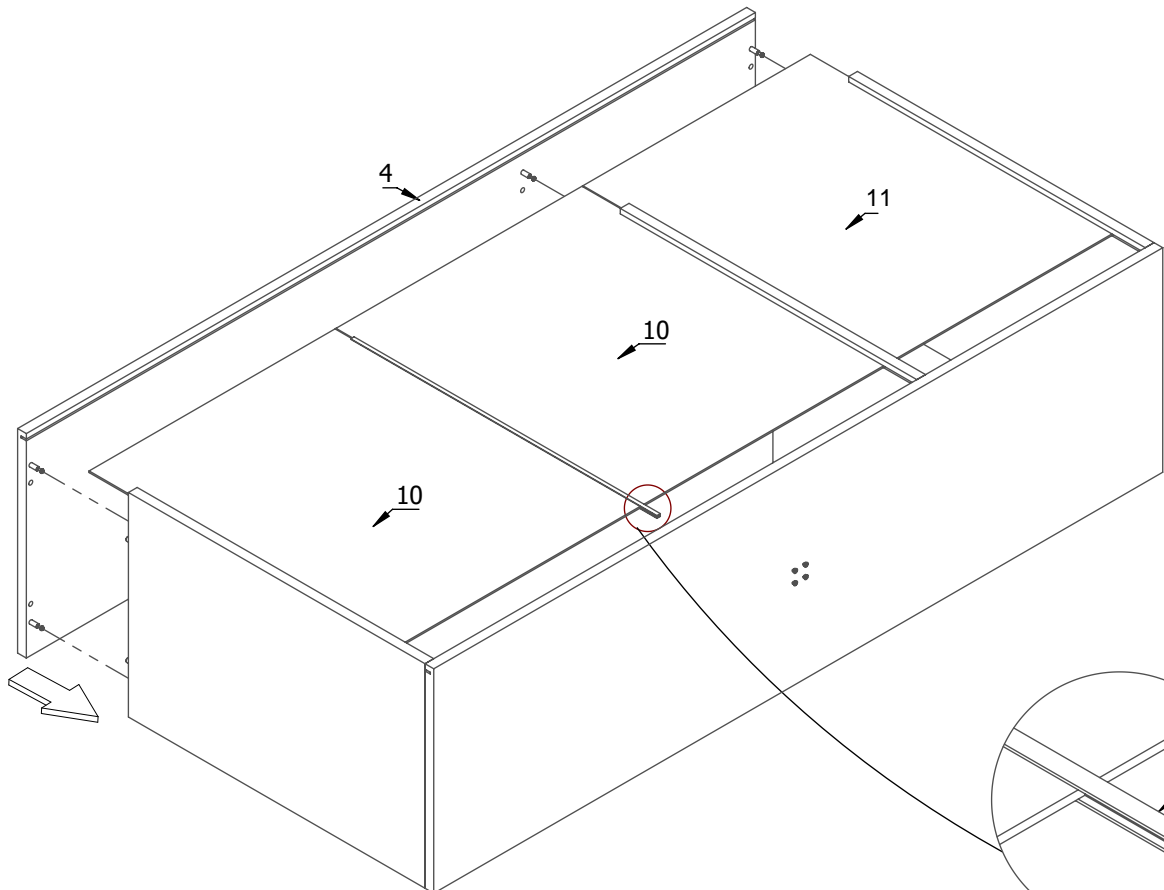
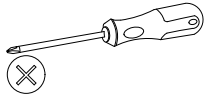
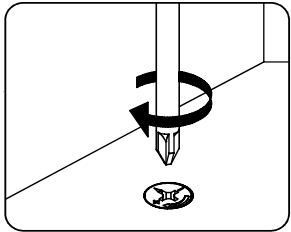
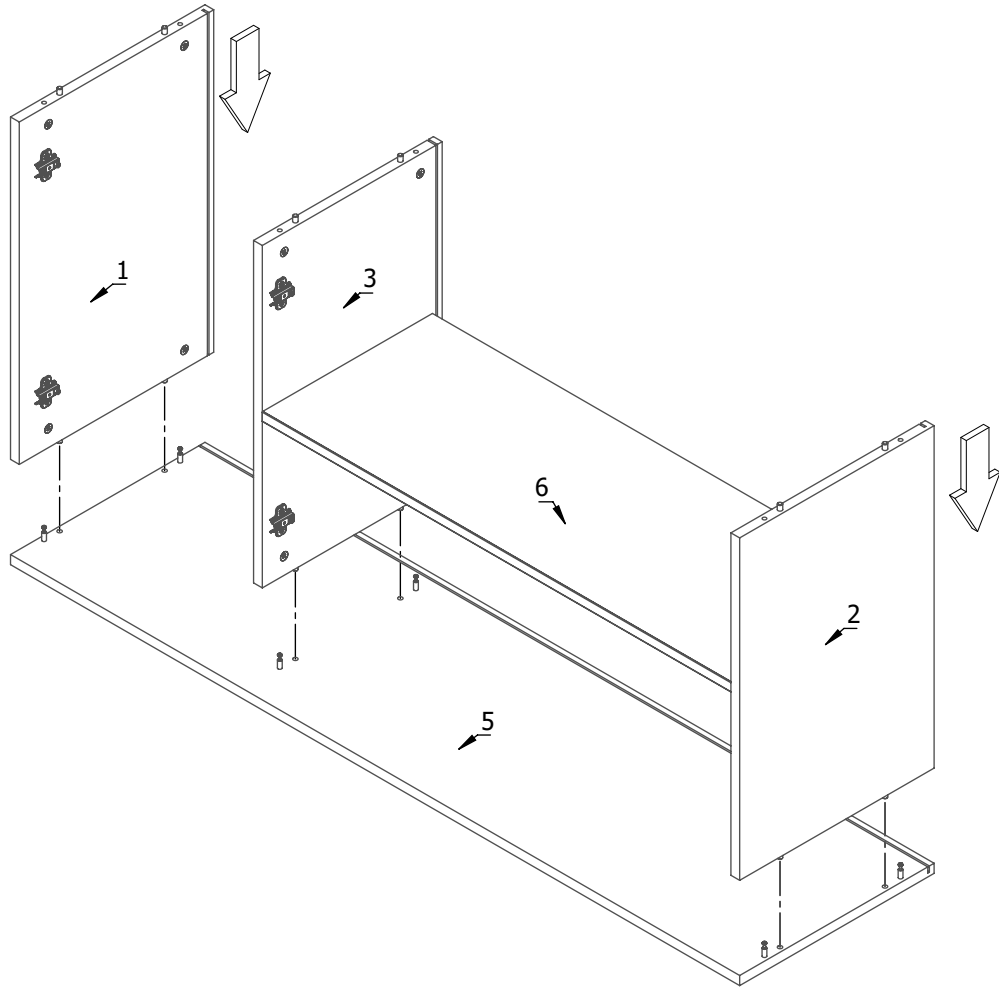
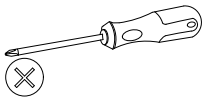





T1	PZ	M1	K30
			
4	4	8	8

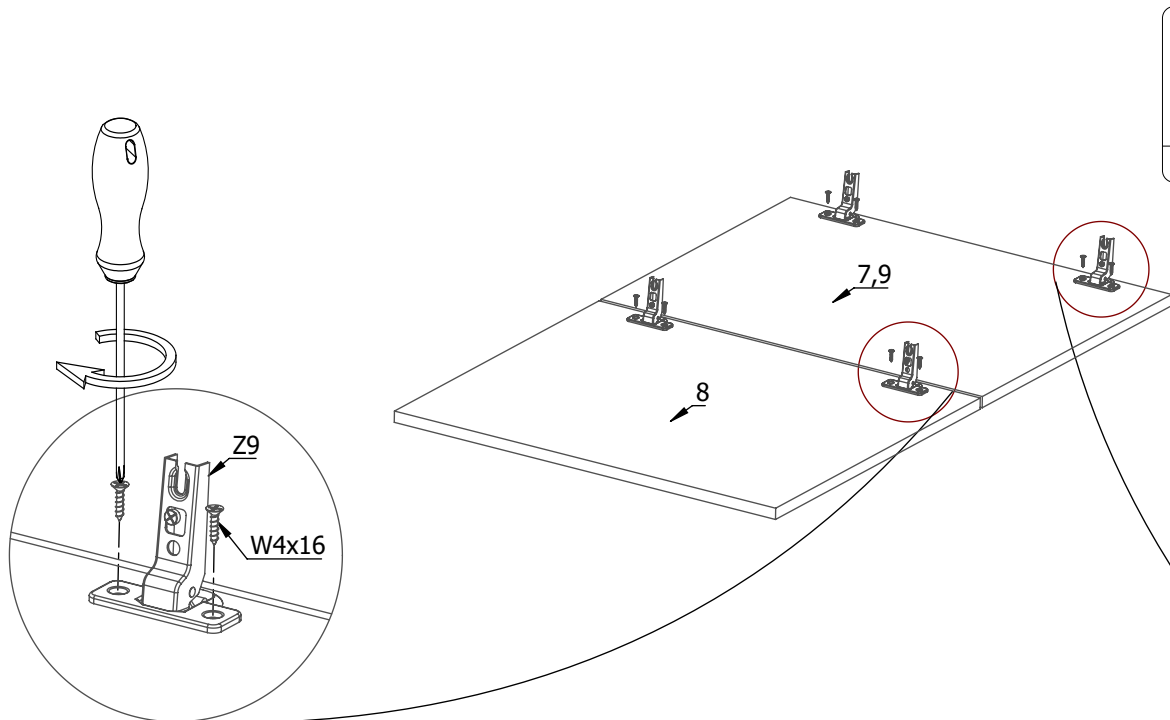
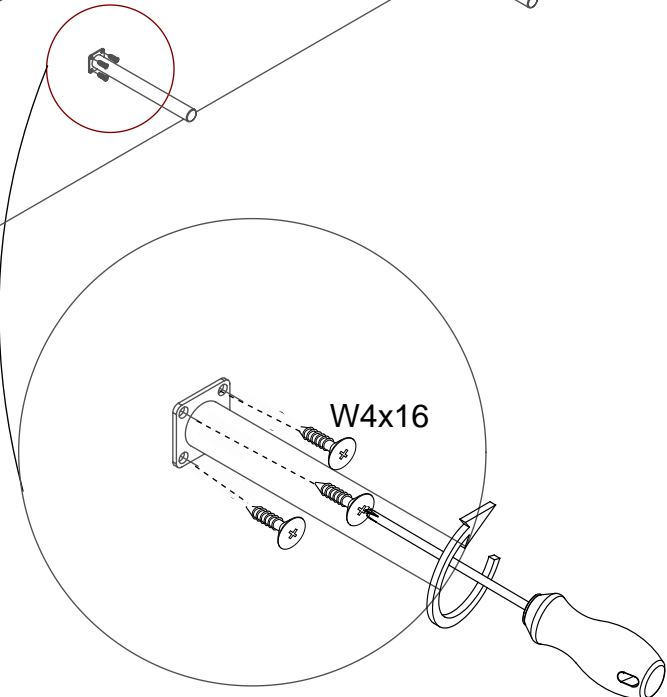
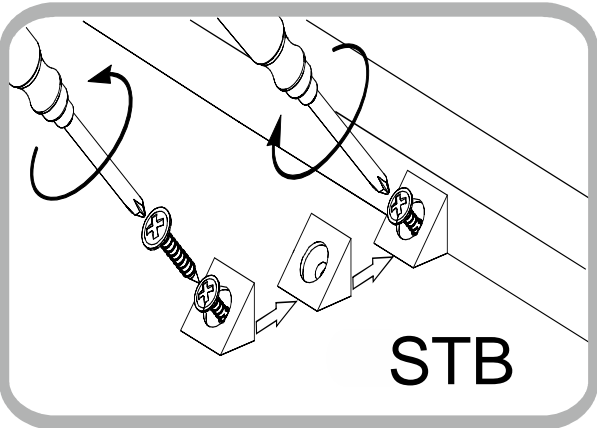
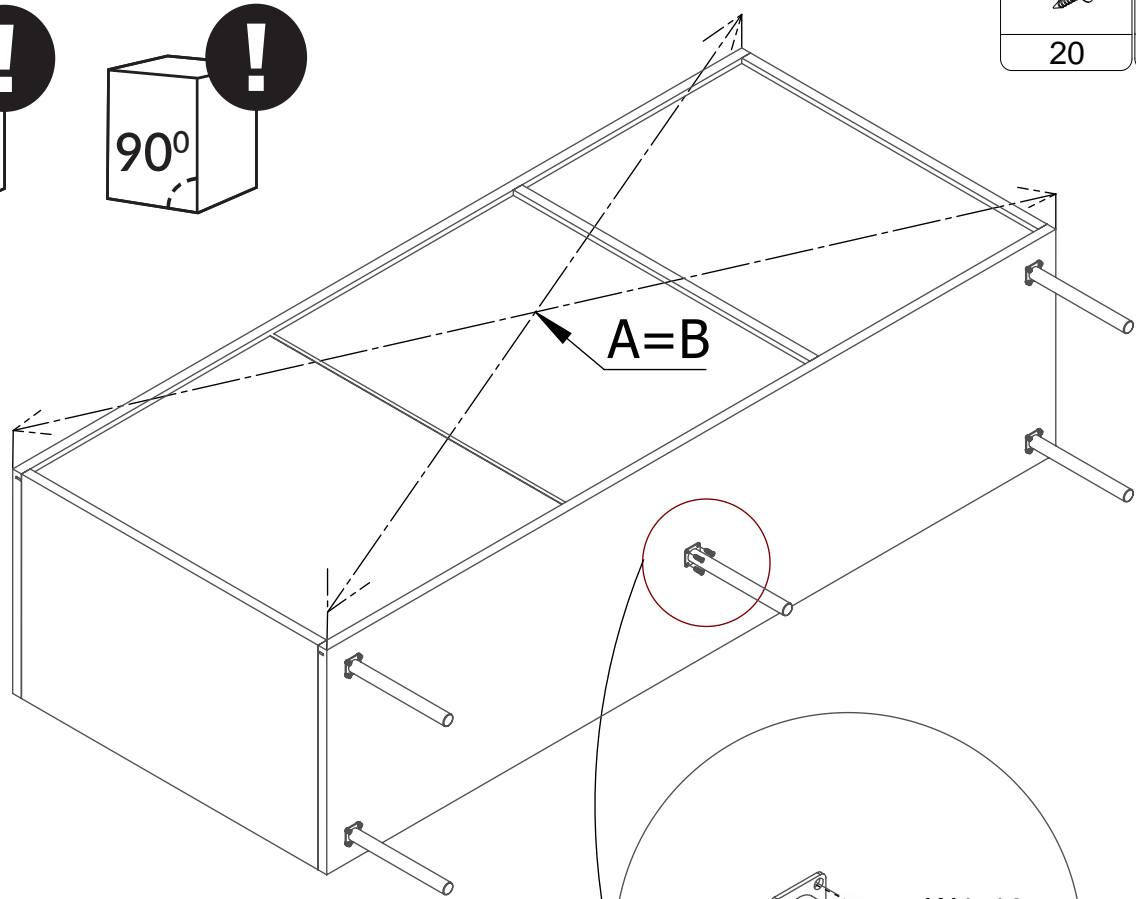
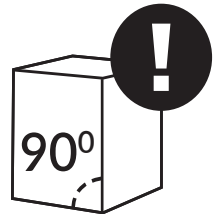
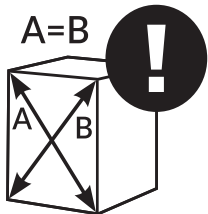




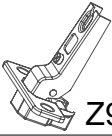
M1

4





W4x16  20	NB  5	STB  10
--	---	---



W4x16  12	Z15  4	Z9  2
--	---	--

