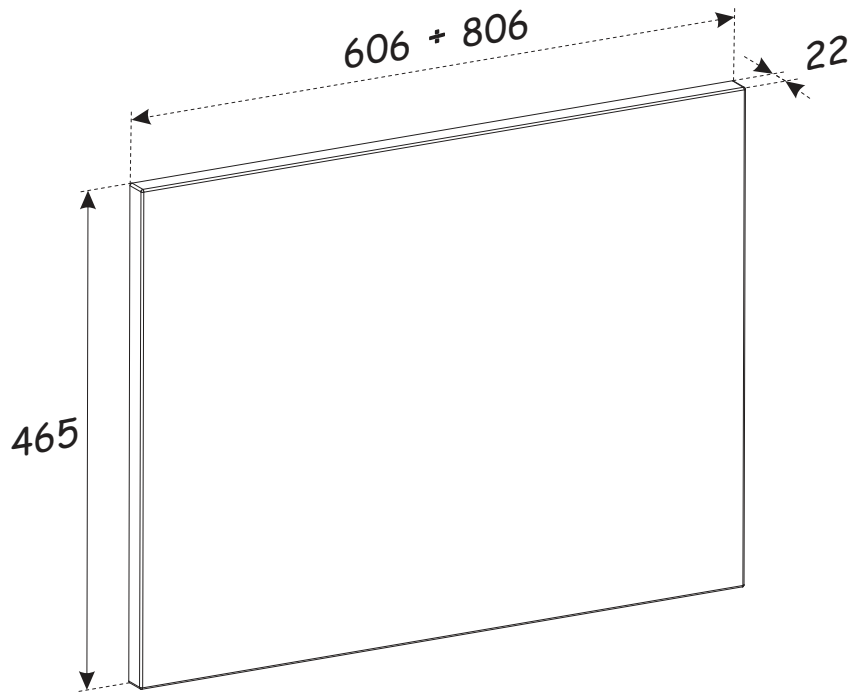
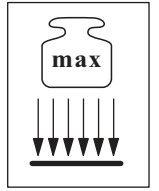
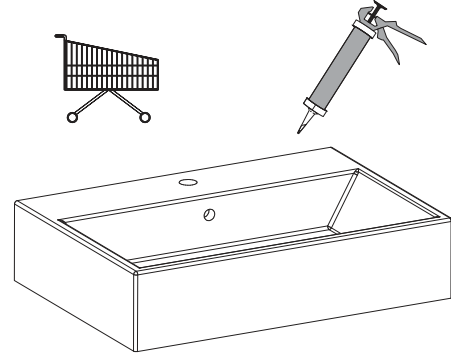
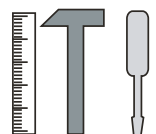
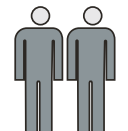


BLAT 60 CM BL850, 89-60-B
 BLAT 80 CM BL851, 89-80-B

SILIKON



90 min



BLAT 60 CM BL850, 89-60-B

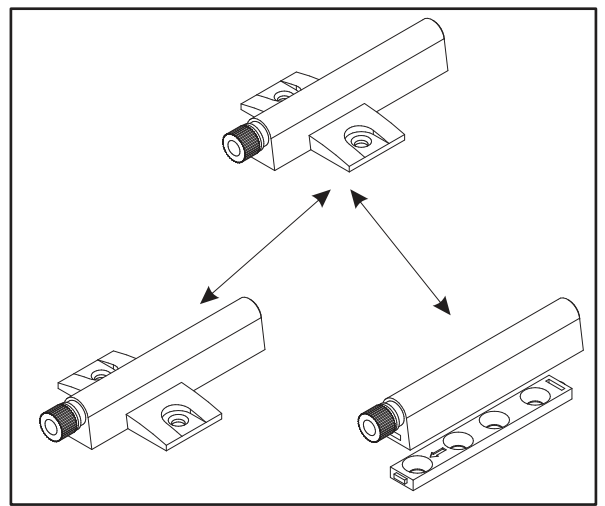
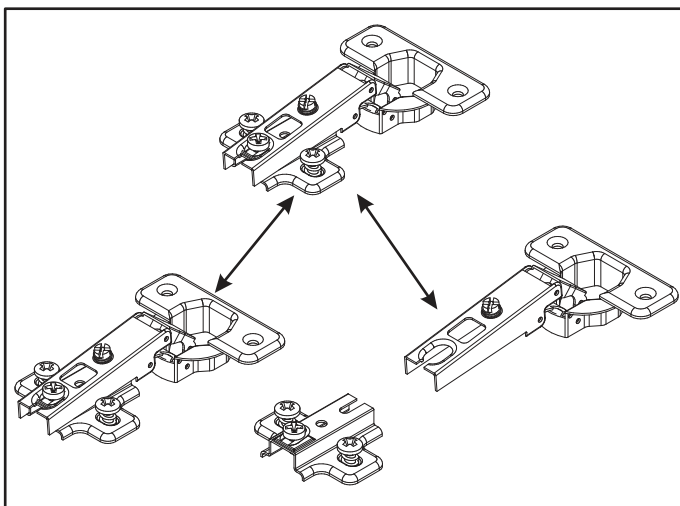
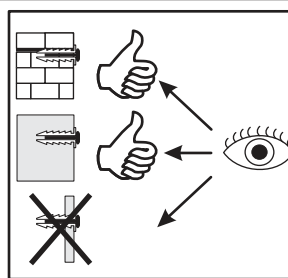
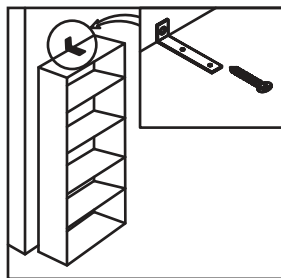
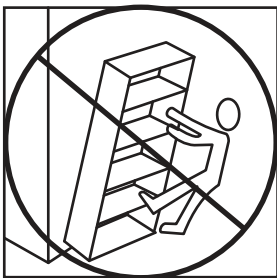
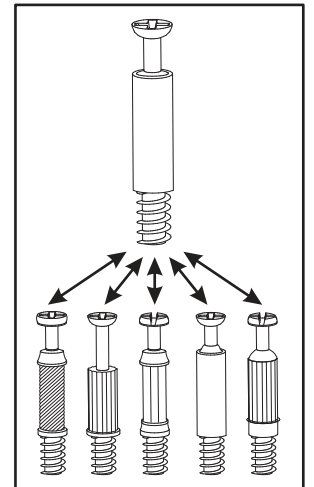
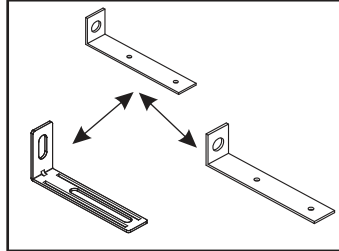
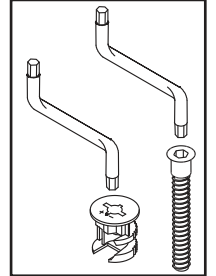
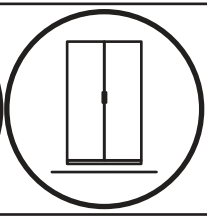
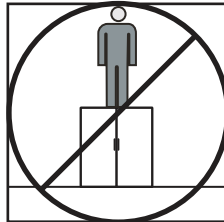
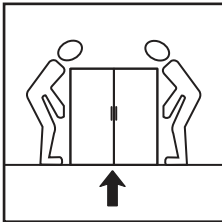
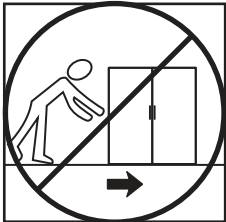
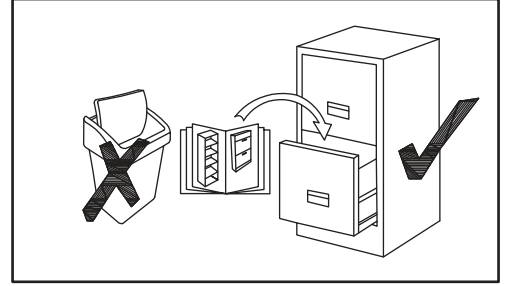
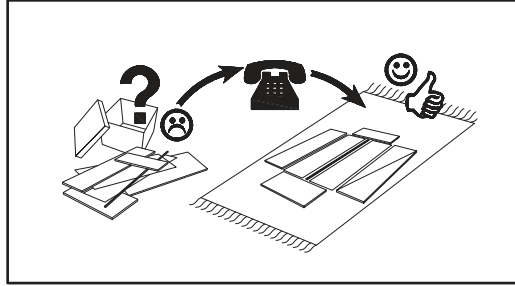
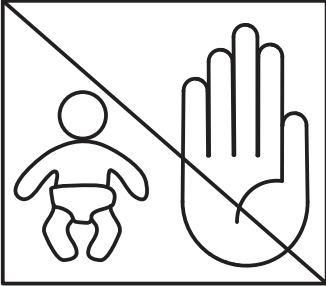
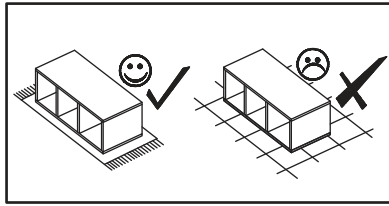
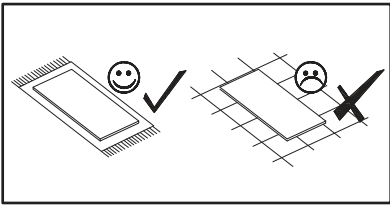
NO	Dim.			Col.-No	Qty
1	606	465	22	1	1

BLAT 80 CM BL851, 89-80-B

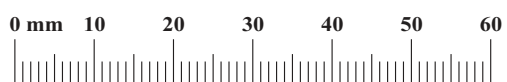
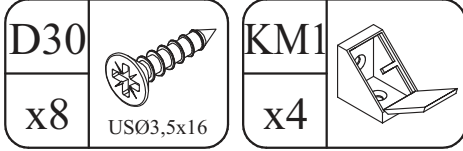
NO	Dim.			Col.-No	Qty
1	806	465	22	1	1



BLAT 60 CM BL850, 89-60-B
BLAT 80 CM BL851, 89-80-B



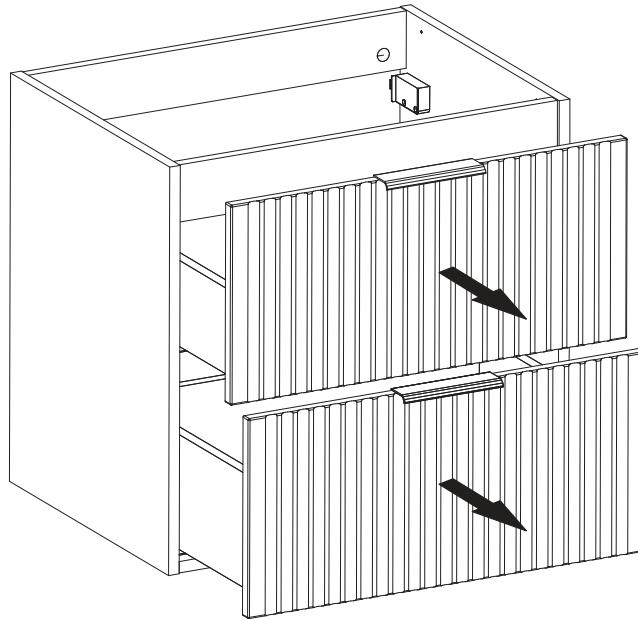
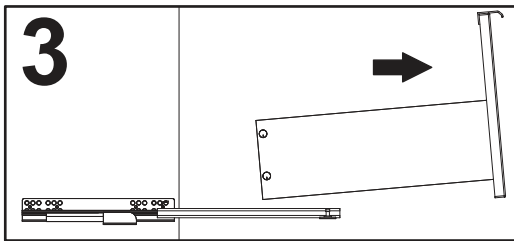
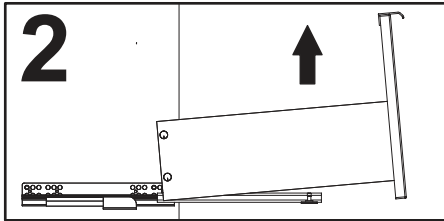
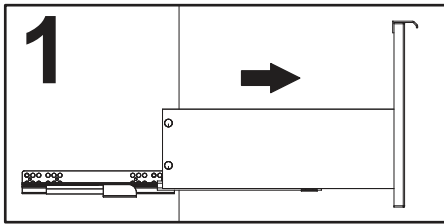
BLAT 60 CM BL850, 89-60-B
BLAT 80 CM BL851, 89-80-B



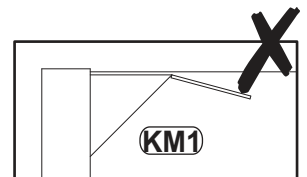
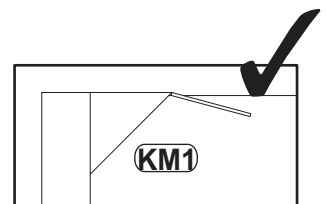
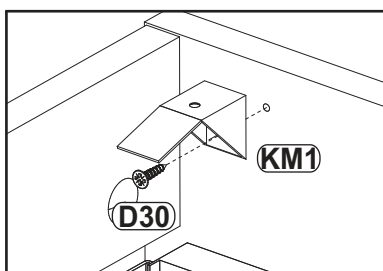
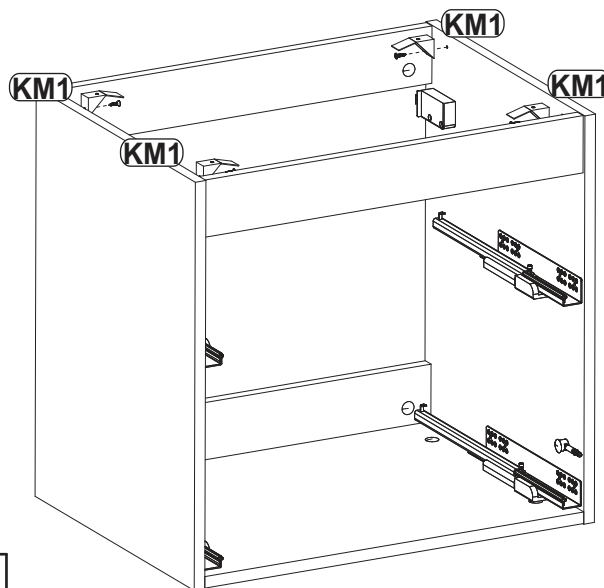
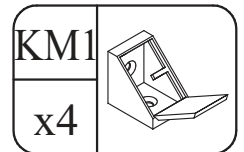
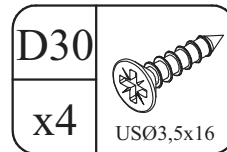
BLAT 60 CM BL850, 89-60-B
BLAT 80 CM BL851, 89-80-B

SZAFKA P./UM 2SZ 82-60-B-2S ; SZAFKA P./UM 2SZ 82-80-B-2S

1

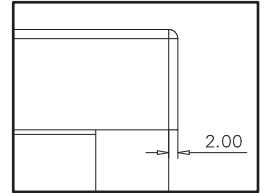
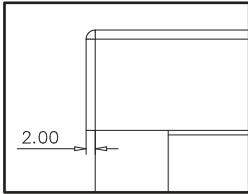
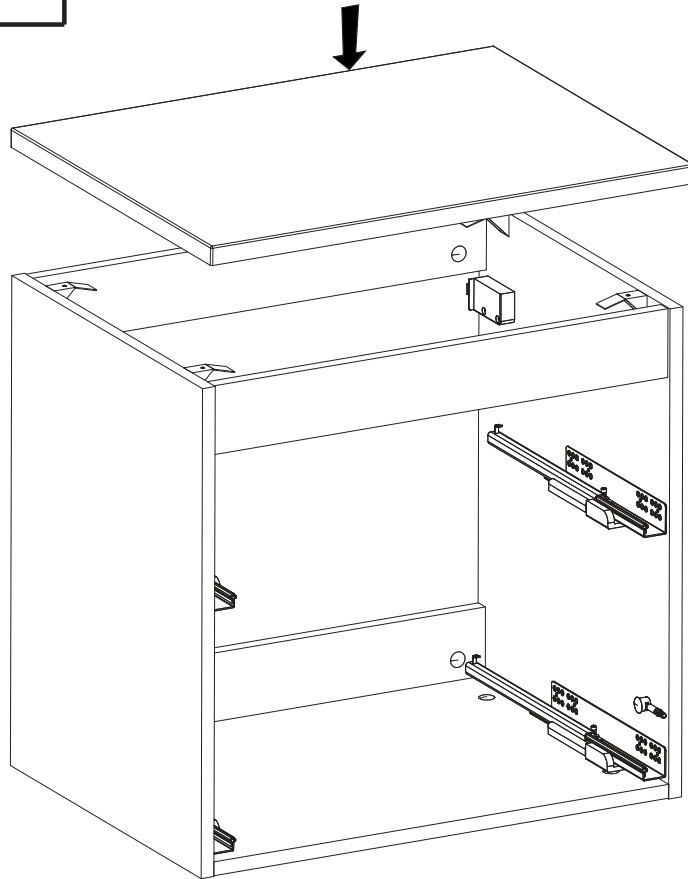


2

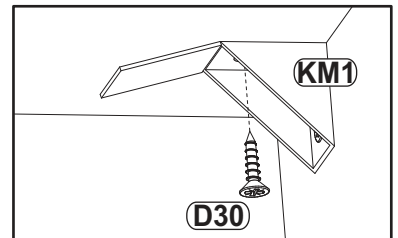
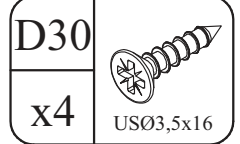
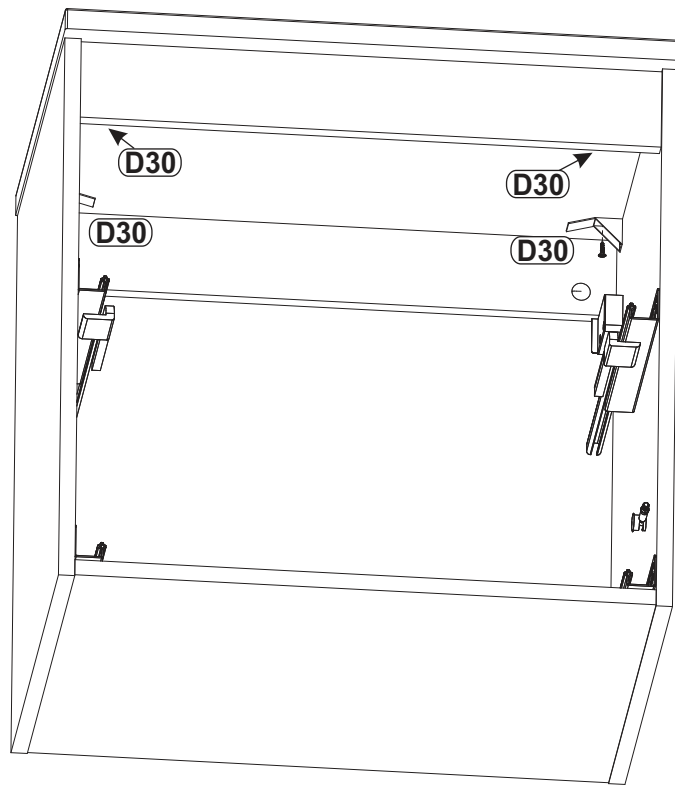


BLAT 60 CM BL850, 89-60-B
BLAT 80 CM BL851, 89-80-B

3

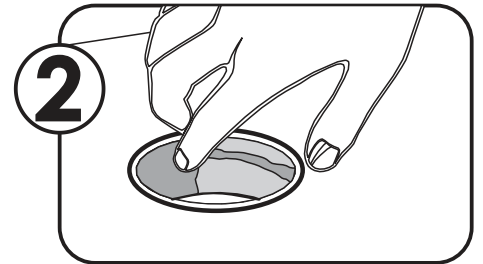
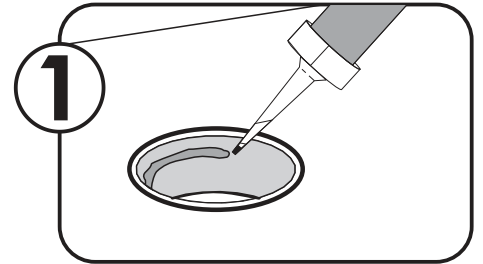
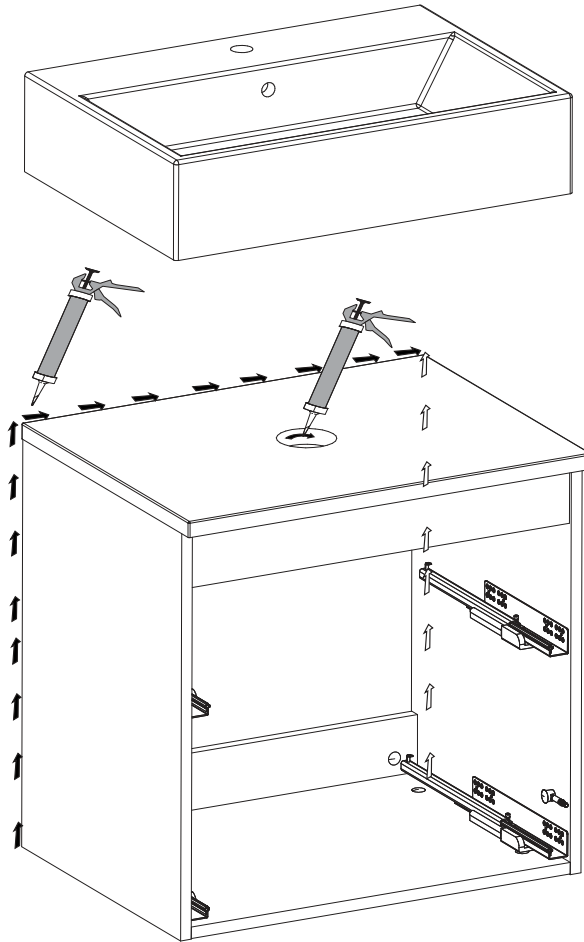


4

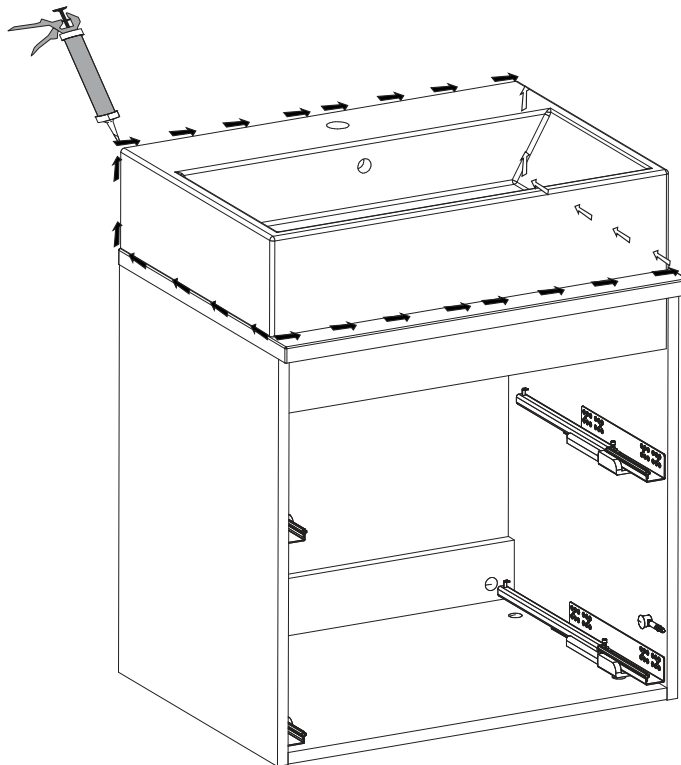


BLAT 60 CM BL850, 89-60-B
BLAT 80 CM BL851, 89-80-B

5



6

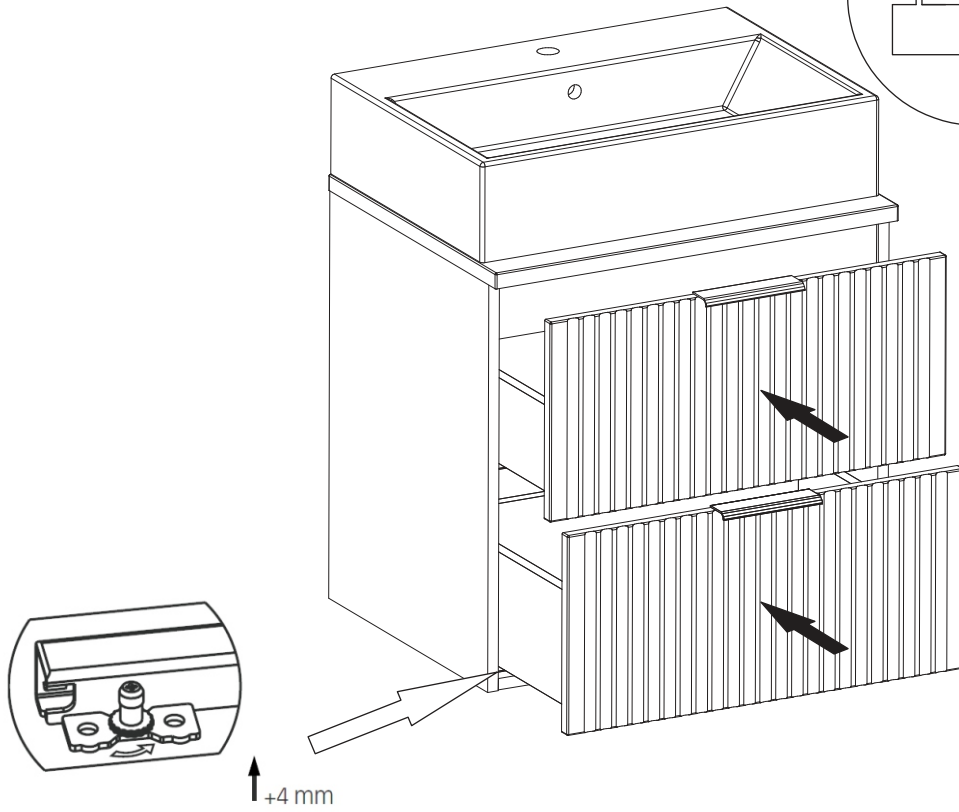


BLAT 60 CM BL850, 89-60-B
BLAT 80 CM BL851, 89-80-B

7

1

2



8

