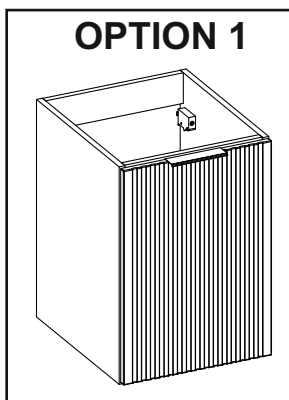
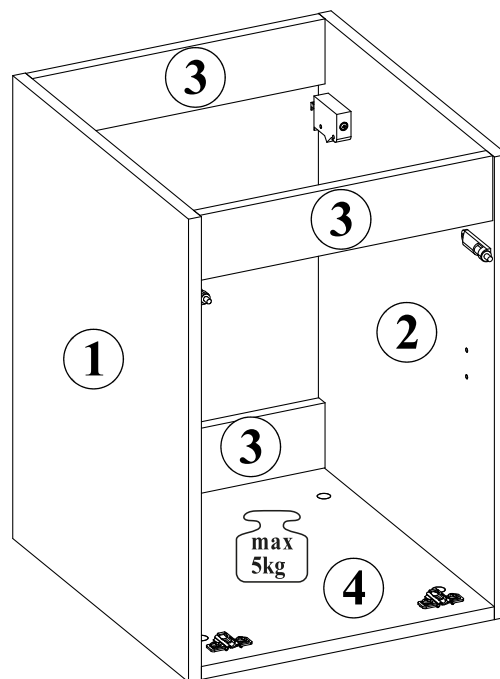
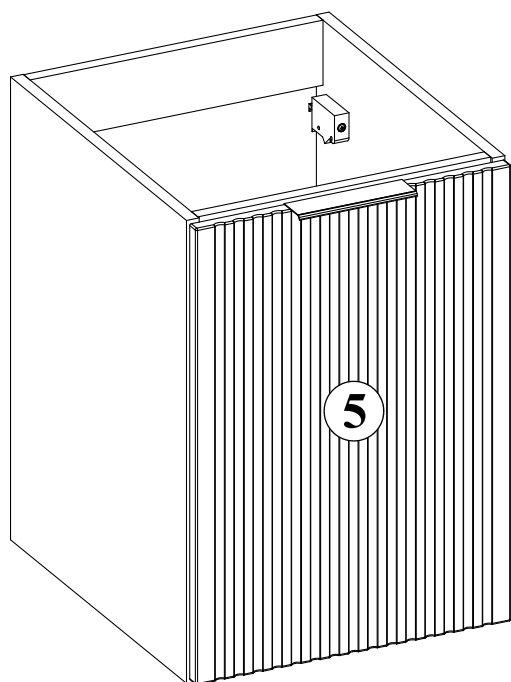
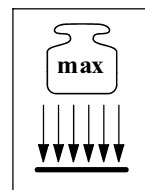
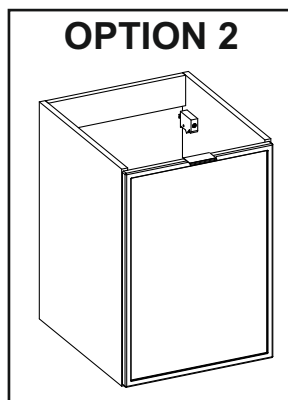


SZAFKA DOLNA 1D

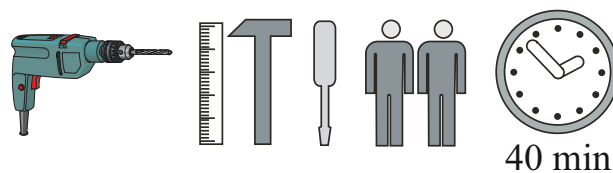
OPTION 1



OPTION 2

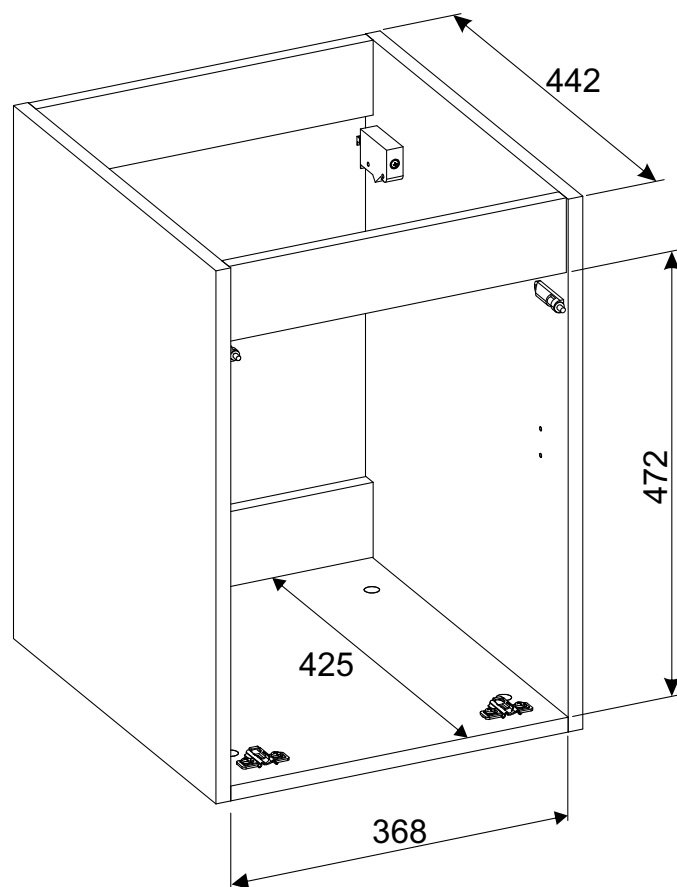
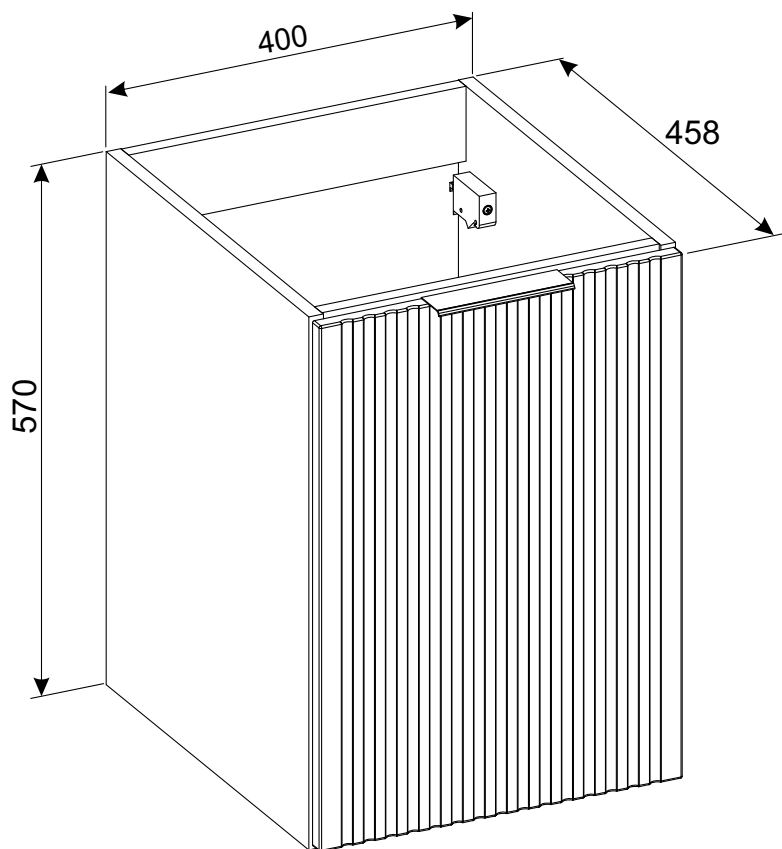


NO	Dim.			Col.-No	Qty
1	570	442	16	1/1	1
2	570	442	16	1/1	1
3	368	80	16	1/1	3
4	368	442	16	1/1	1
5	562	396	16	1/1	1

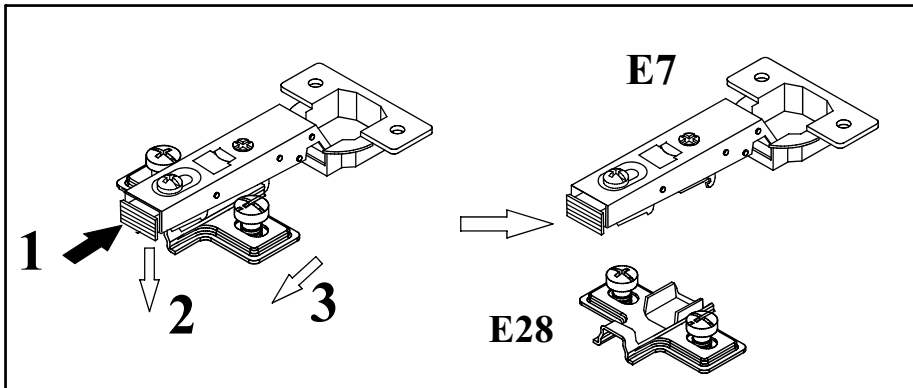
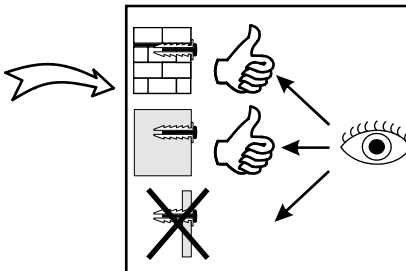
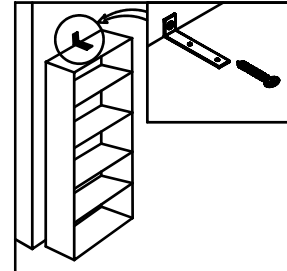
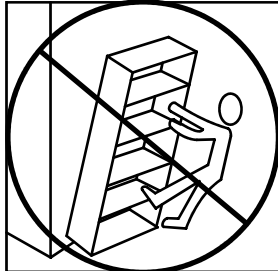
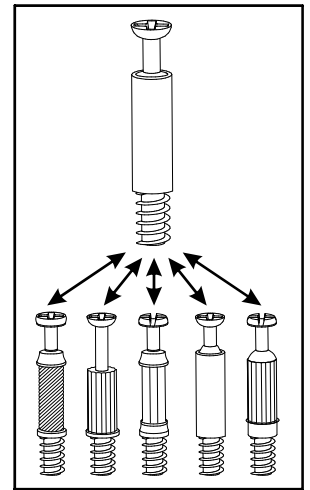
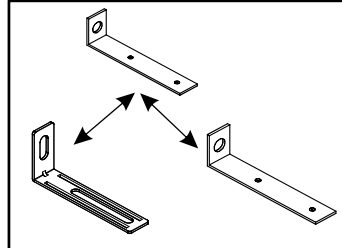
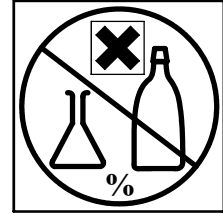
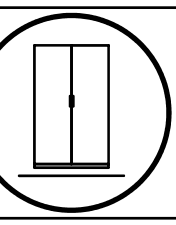
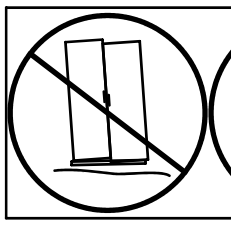
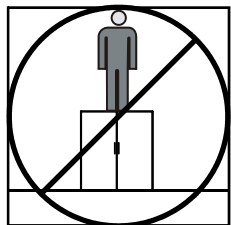
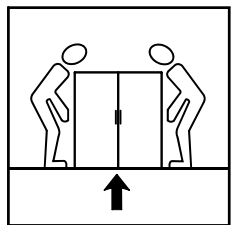
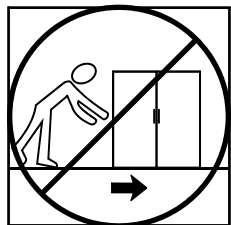
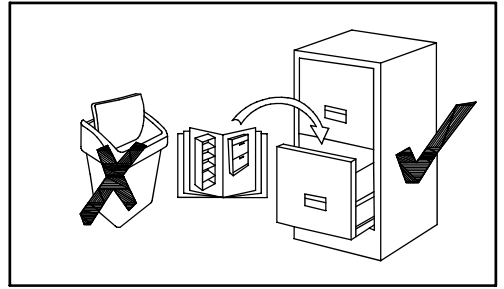
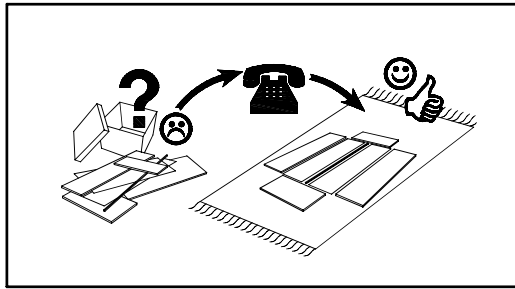
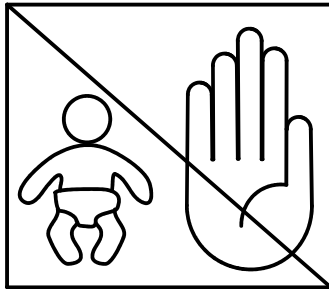
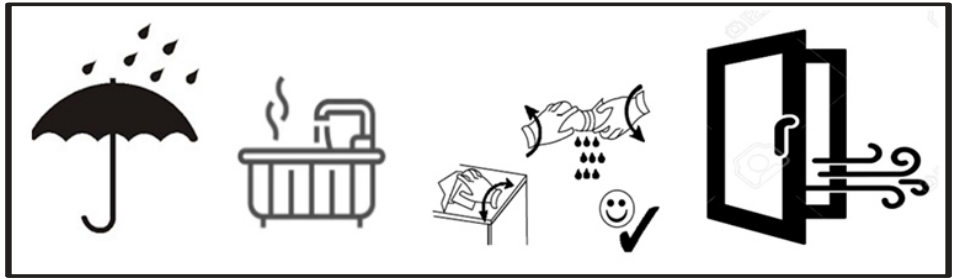
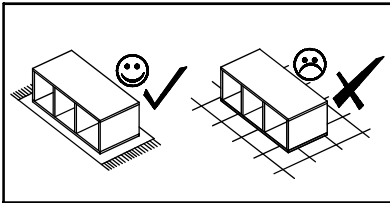
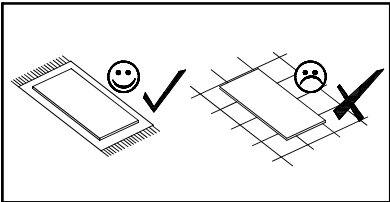


40 min

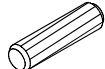



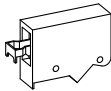
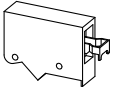




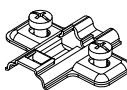
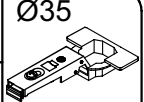

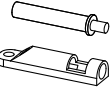



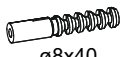
SZAFKA DOLNA 1D



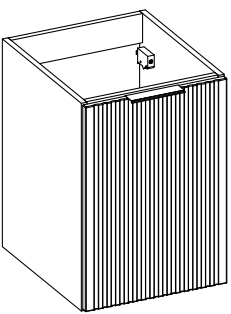
SZAFKA DOLNA 1D

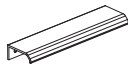



SZAFKA DOLNA 1D

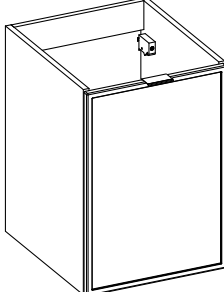
A1 x10  ø8x35	B4 x10 	B5 x10  ø15x12	Z2 x4  ø5	ZXP x1 	ZXL x1 
G5 x10 	D10 x14 US ø3,5x13 	SZ7 x2 	D6 x4 US ø4x30 	E28 x2 H=0 	E7 x2 ø35 H=0 
E9 x1 	K6 x2 	C5 x4 UP ø3,5x13 	M9 x1 		
SZ6 x4 ø4,5x45  ø8x40 					



OPTION 1

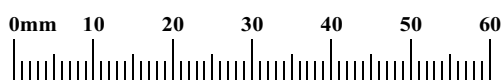


G04 x1 L-148mm. 
D10 x2 USø3,5x13 

OPTION 2





G05 x1 L-32mm. 
D10 x2 USø3,5x13 

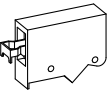


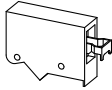
SZAFKA DOLNA 1D

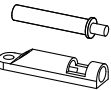
1


B4	
x10	

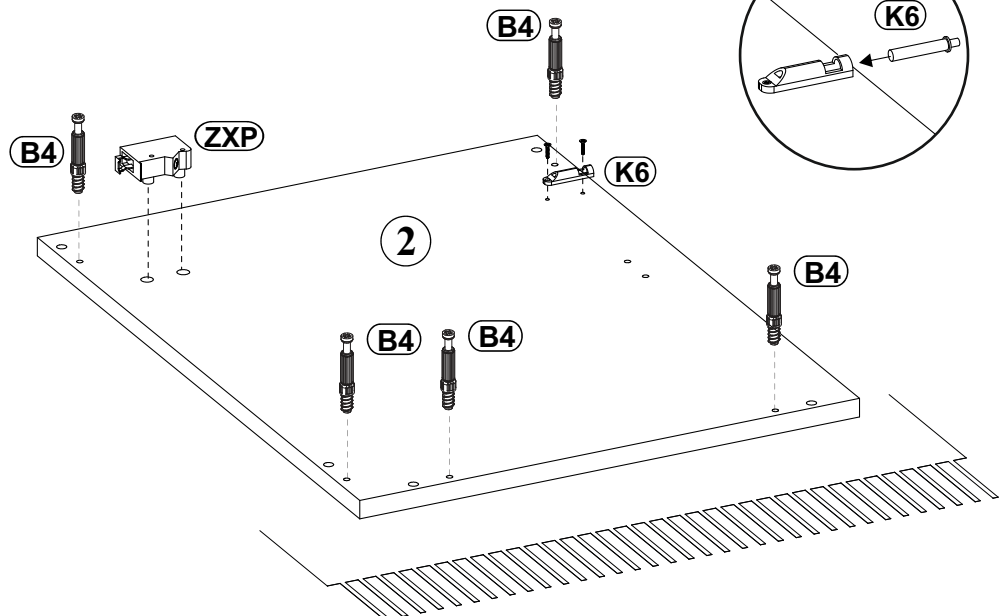
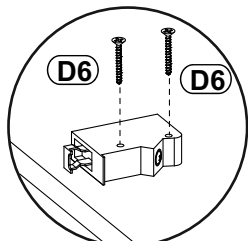
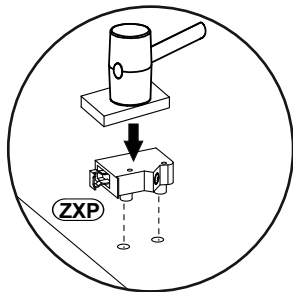
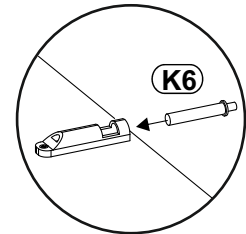
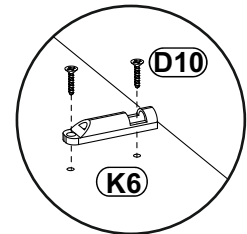
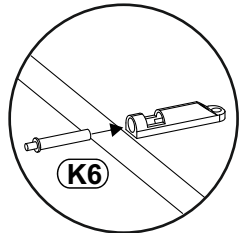
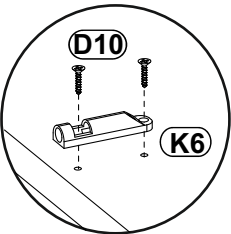
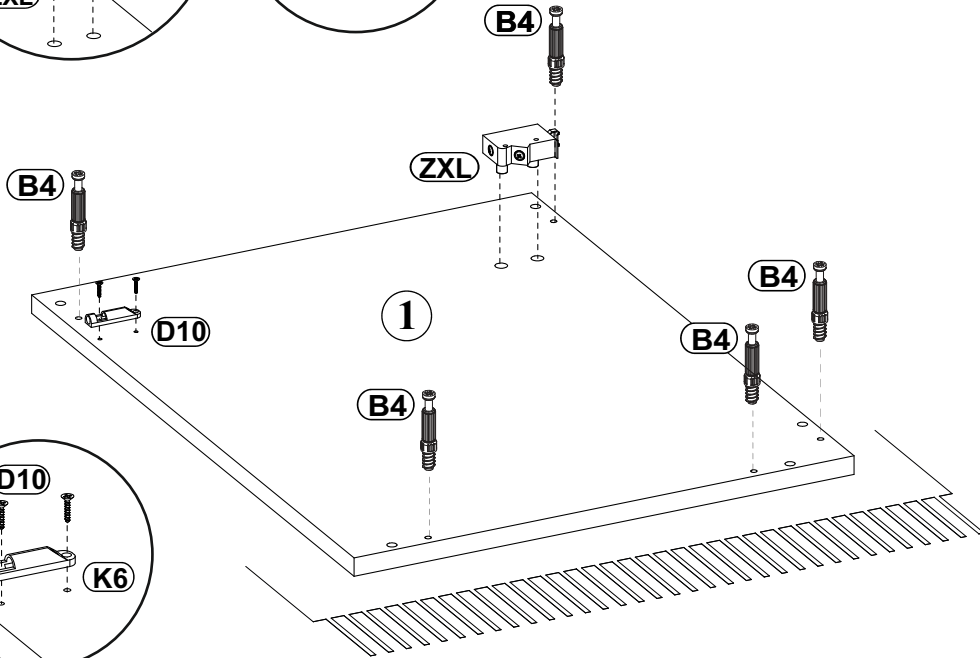
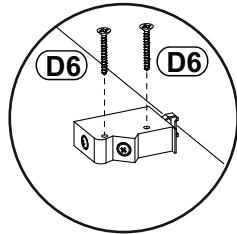
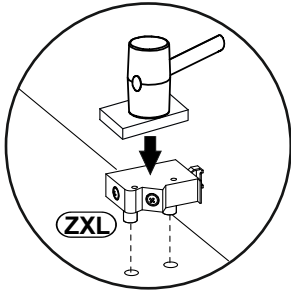
D6	
x4	US $\phi 4 \times 30$

ZXP	
x1	

ZXL	
x1	

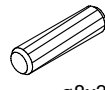
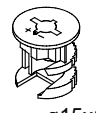
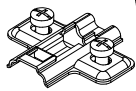
K6	
x2	

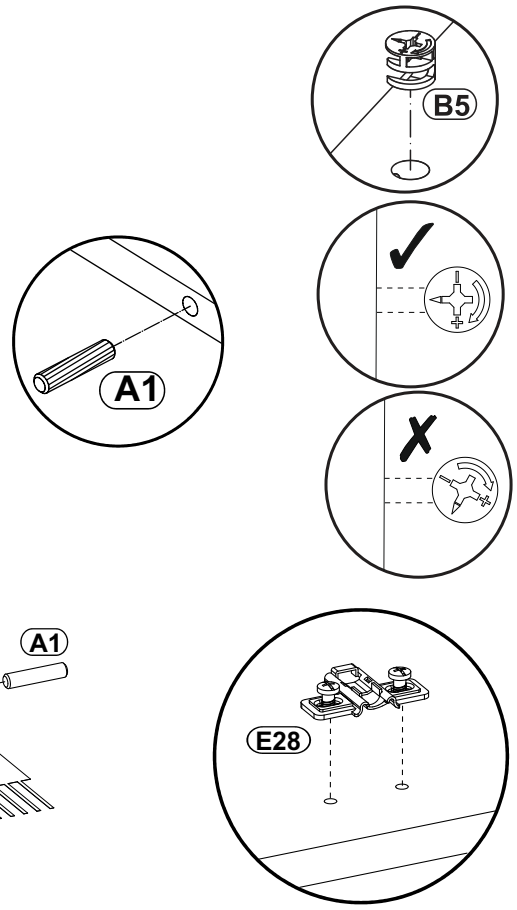
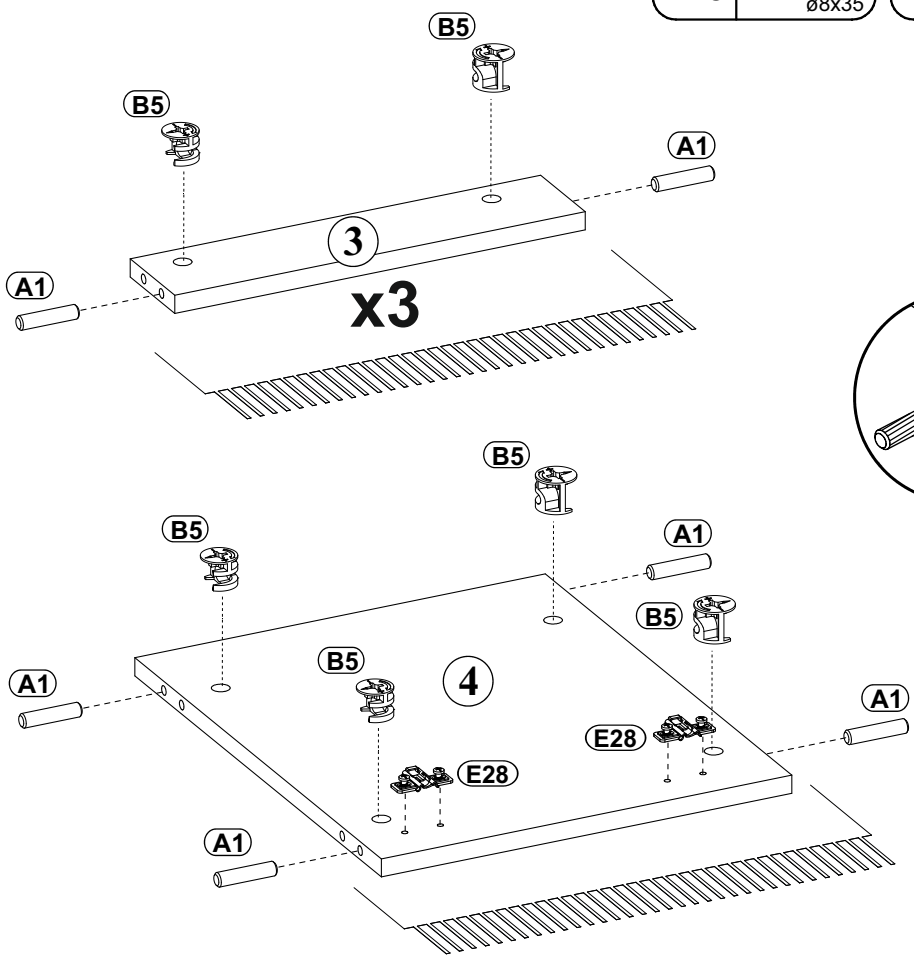
D10	
x4	US $\phi 3,5 \times 13$



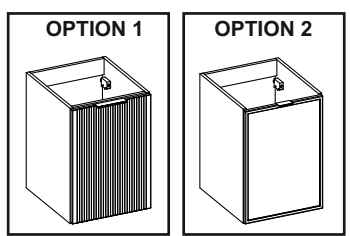
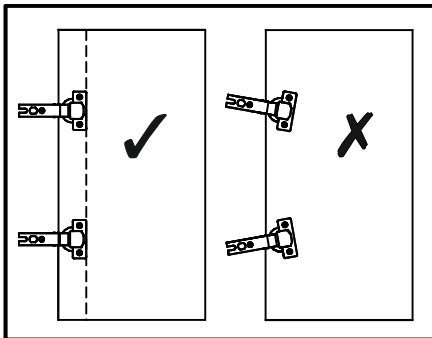
SZAFKA DOLNA 1D


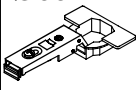
2

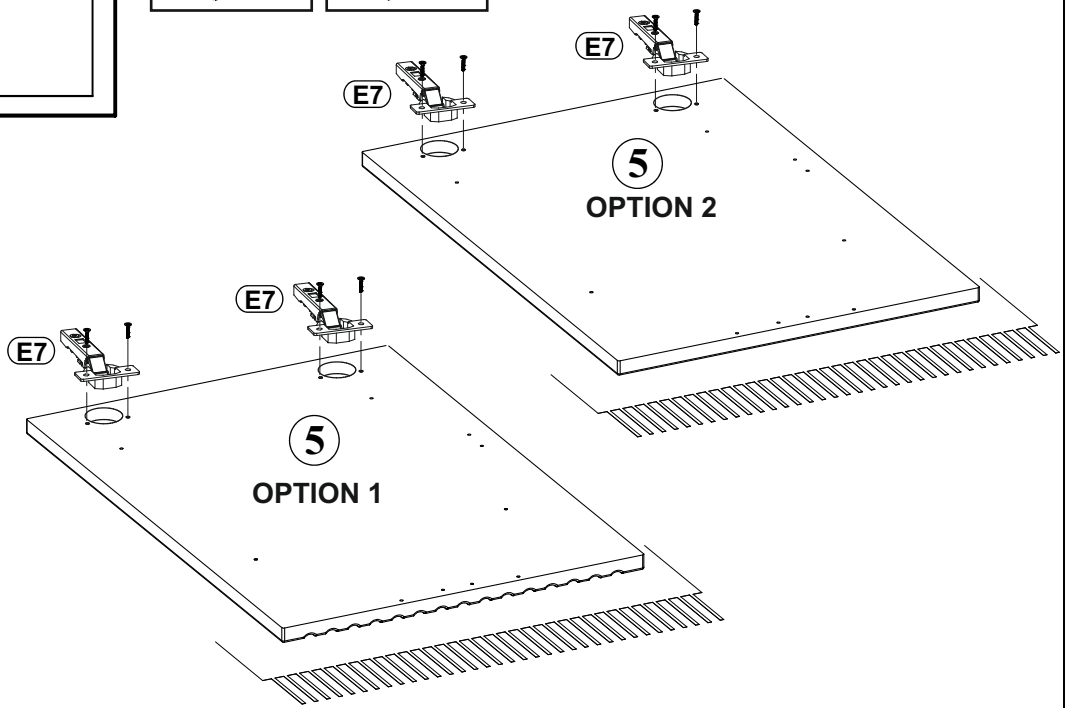
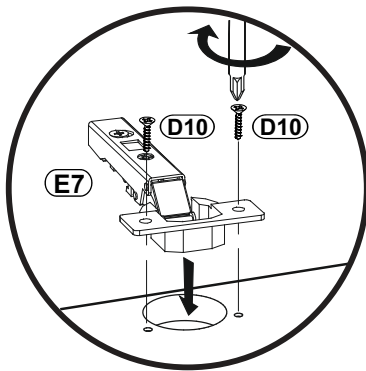
A1		B5		E28	
x10	∅8x35	x10	∅15x12	x2	H=0



3

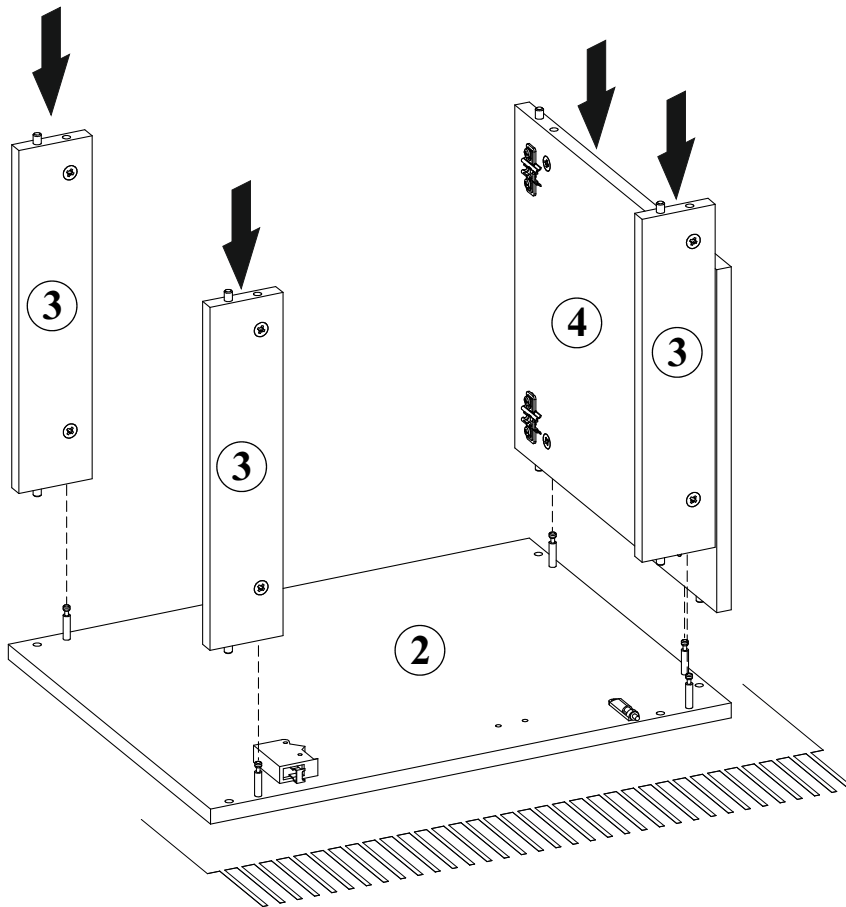



D10		E7	
x4	US ∅3,5x13	x2	∅35 H=0

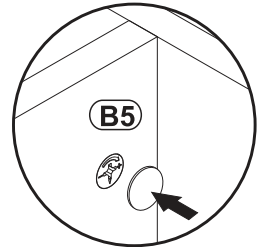
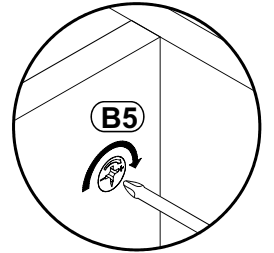
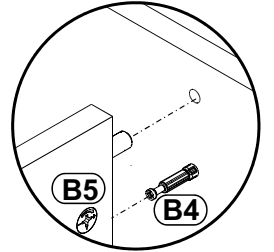


SZAFKA DOLNA 1D

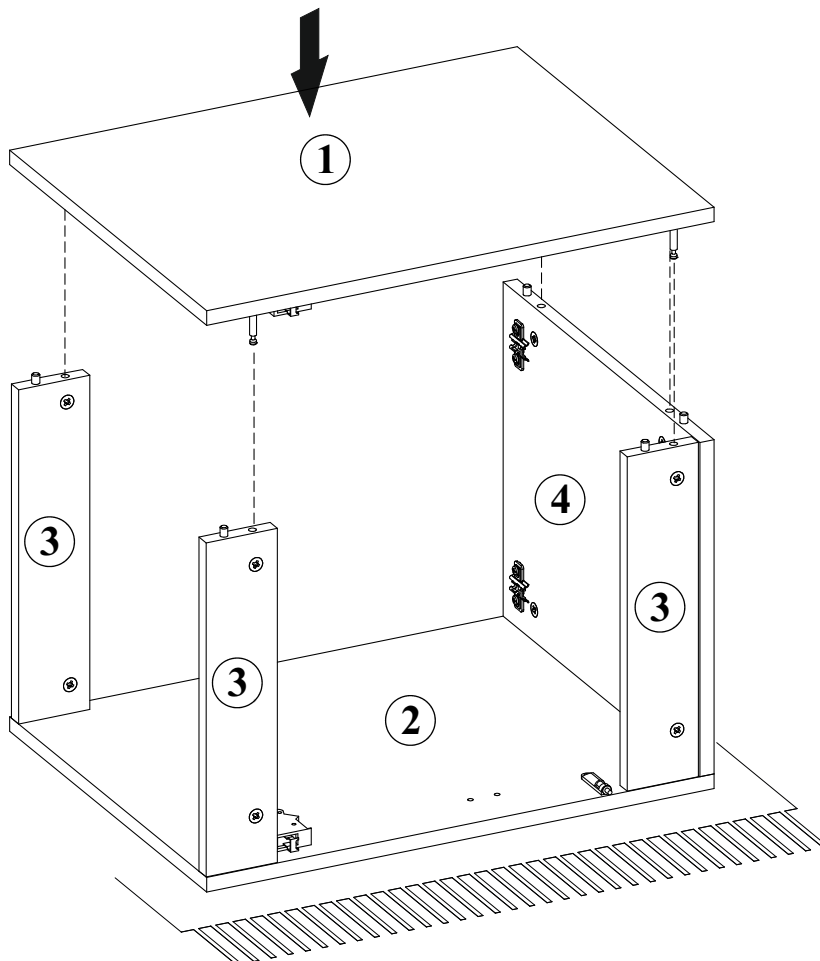
4




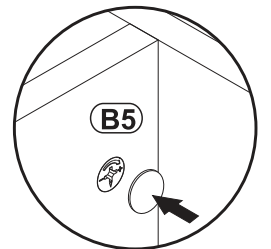
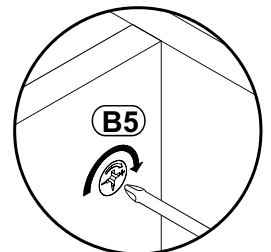
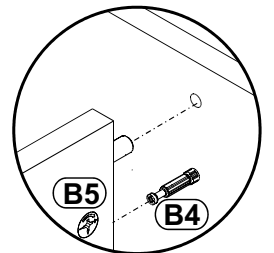
G5	
x5	



5


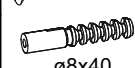
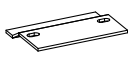


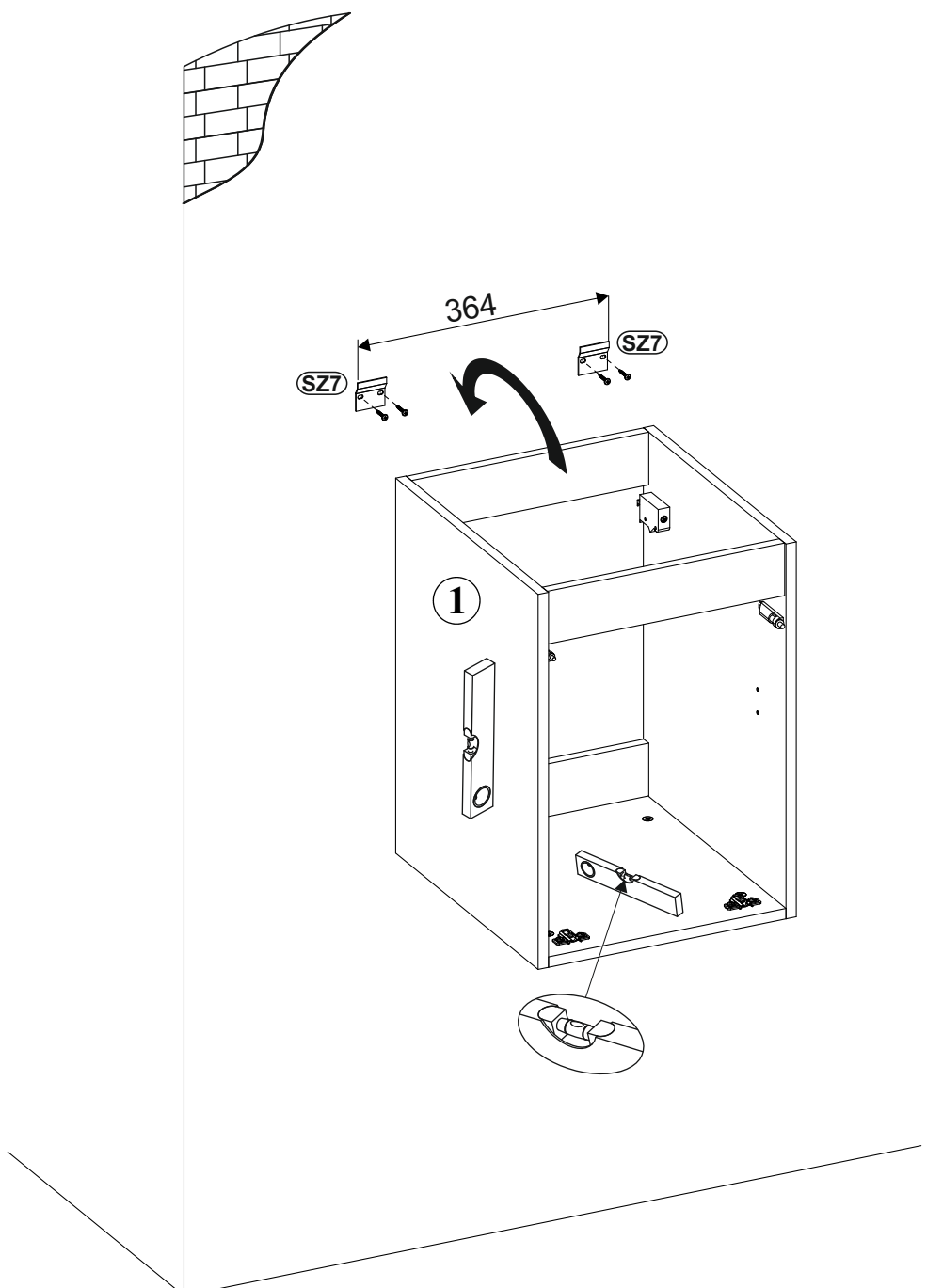
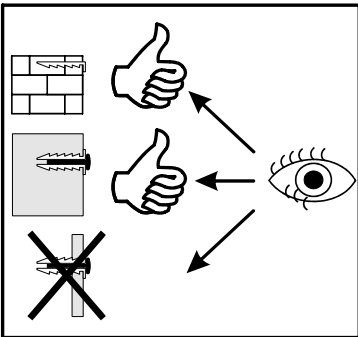
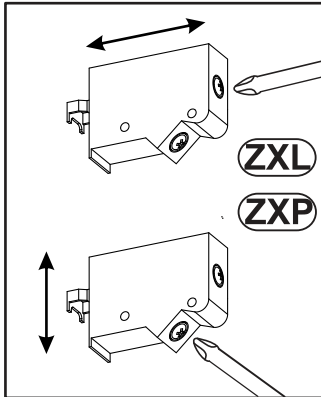
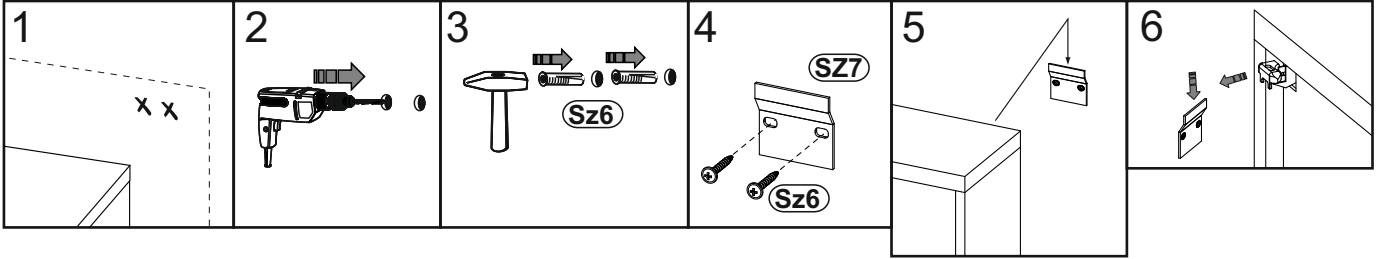
G5	
x5	



SZAFKA DOLNA 1D



6


SZ6	 	SZ7	
x4		x2	

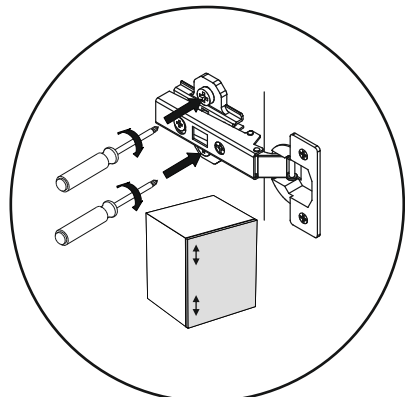
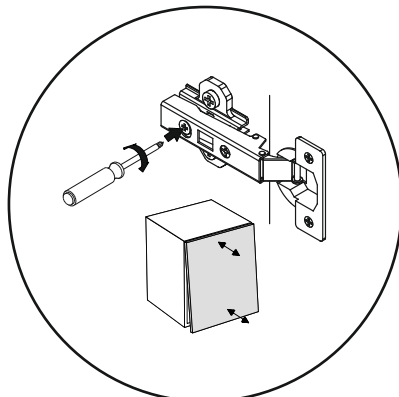
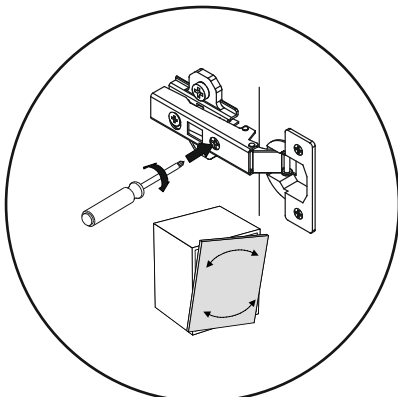
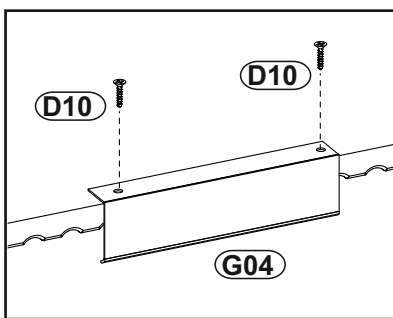
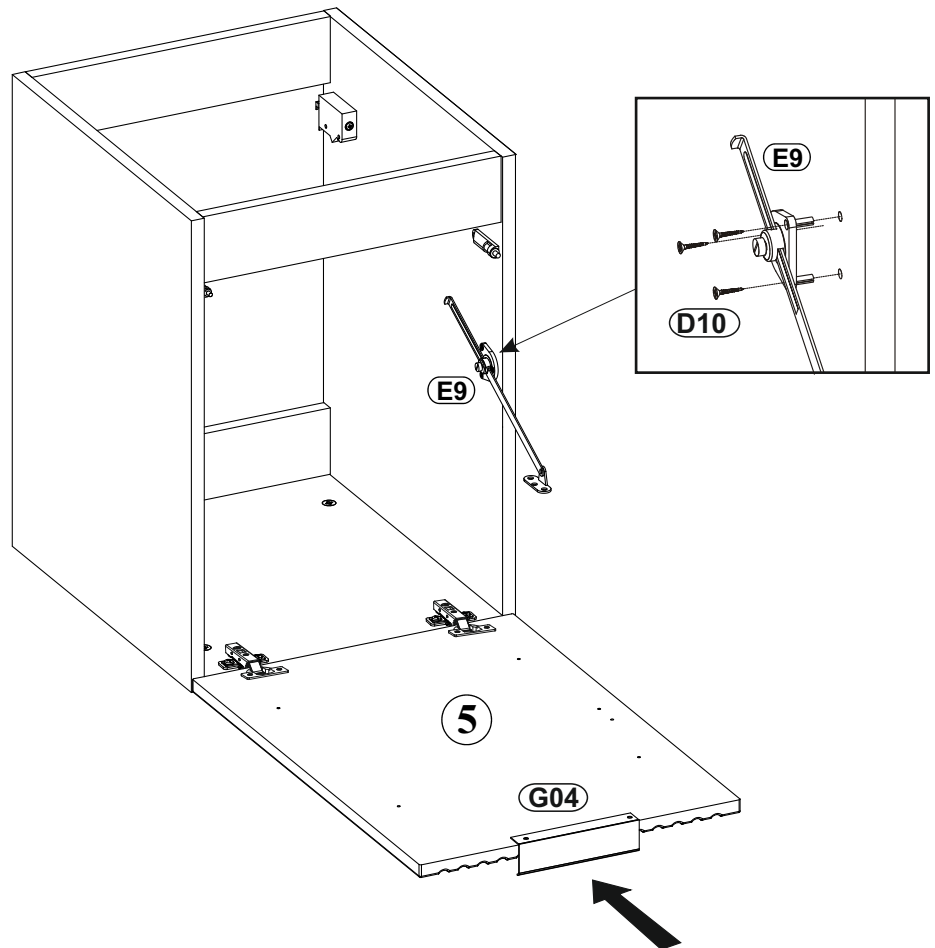
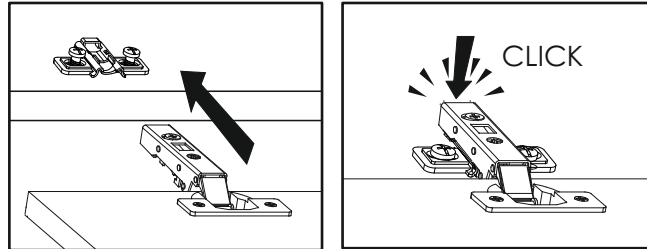
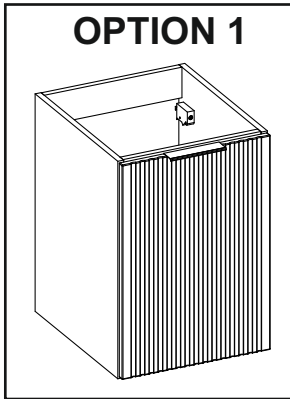


SZAFKA DOLNA 1D

7

G04		D10	
x1	L-148mm.	x5	US ø3,5x13

E9	
x1	



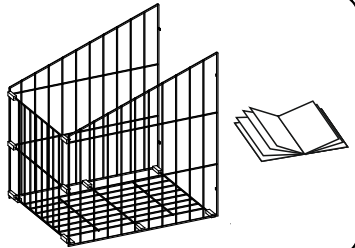
SZAFKA DOLNA 1D

8

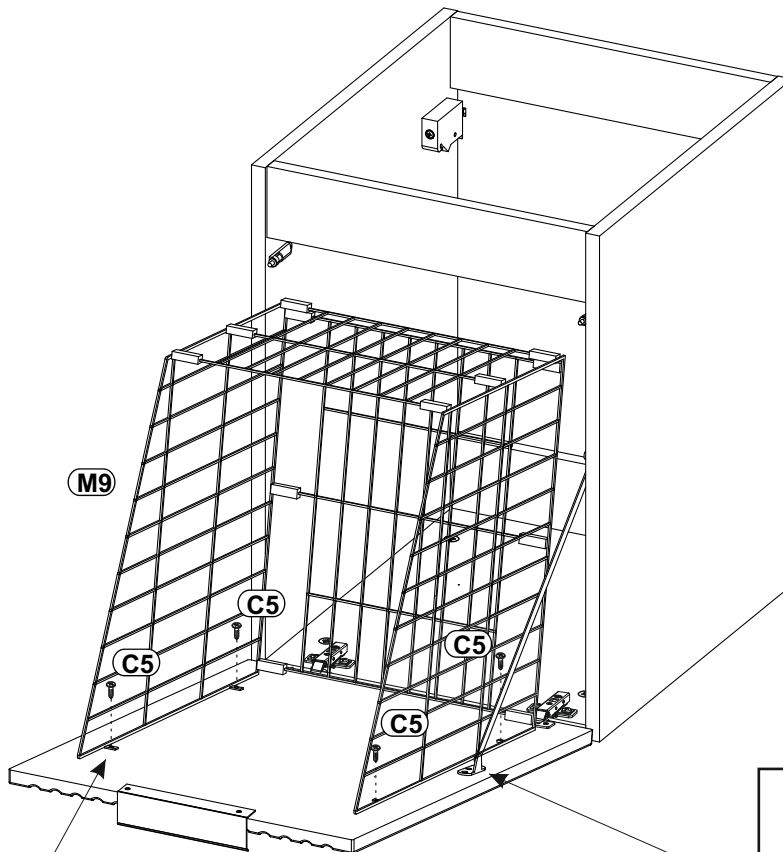
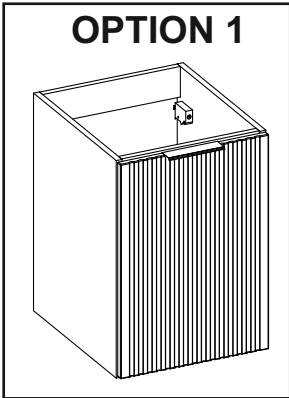
D10
x3
US $\varnothing 3,5 \times 13$

C5
x4
US $\varnothing 3,5 \times 13$

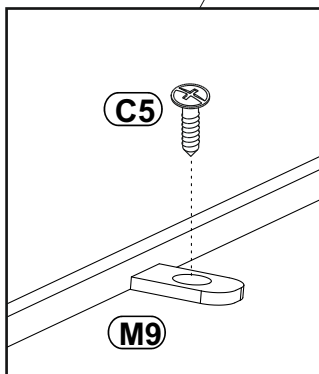
M9
x1



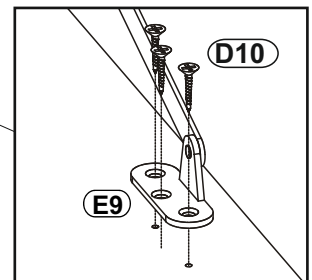
OPTION 1



2.





1.




SZAFKA DOLNA 1D

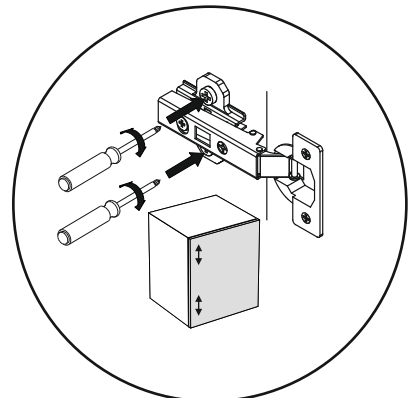
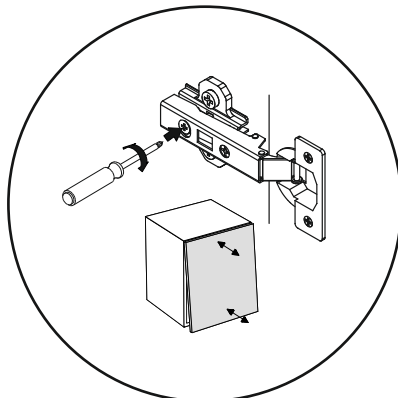
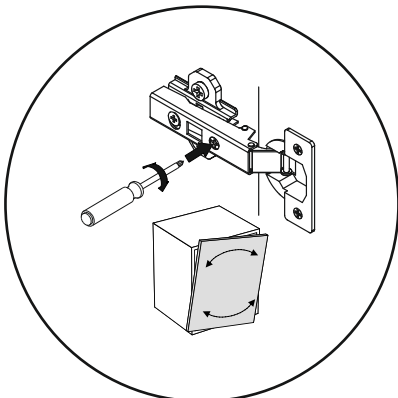
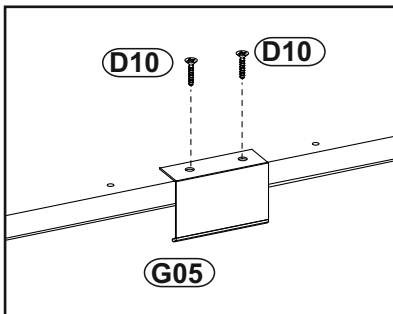
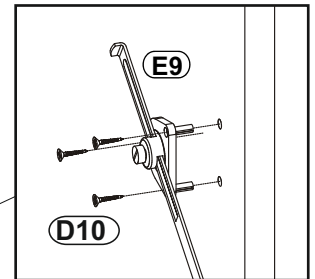
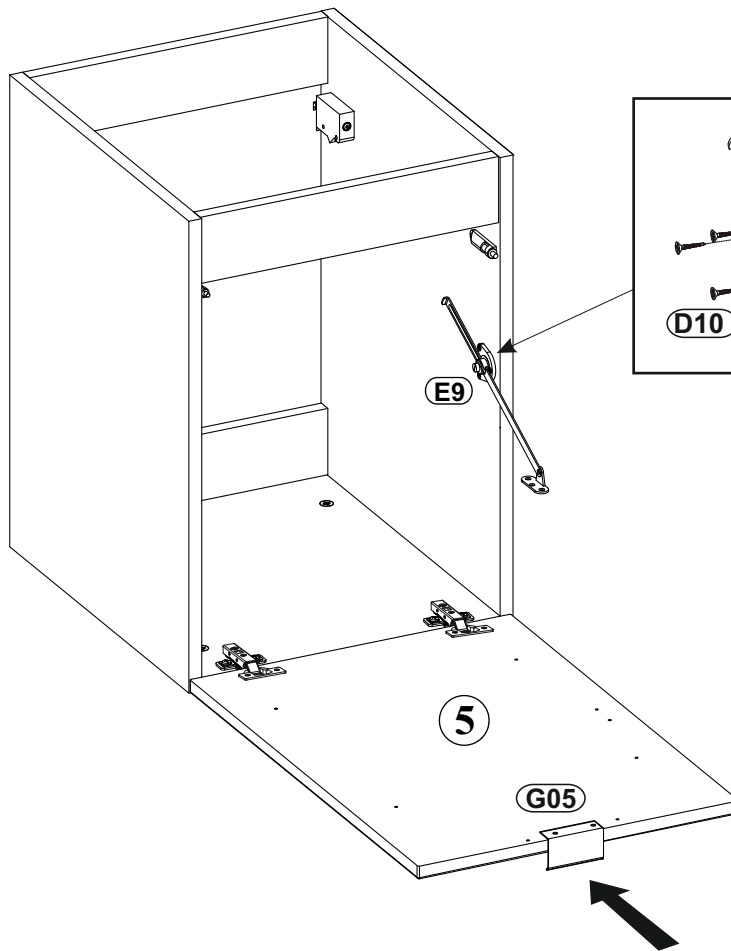
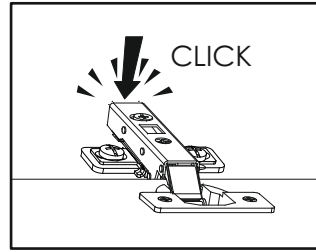
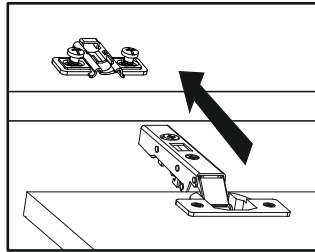
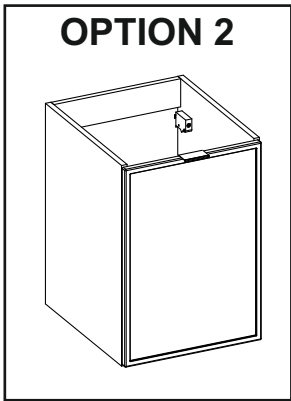
9

G05	
x1	L-32mm.

D10	
x5	US ø3,5x13

E9	
x1	

OPTION 2



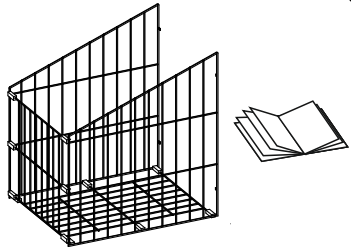
SZAFKA DOLNA 1D

10

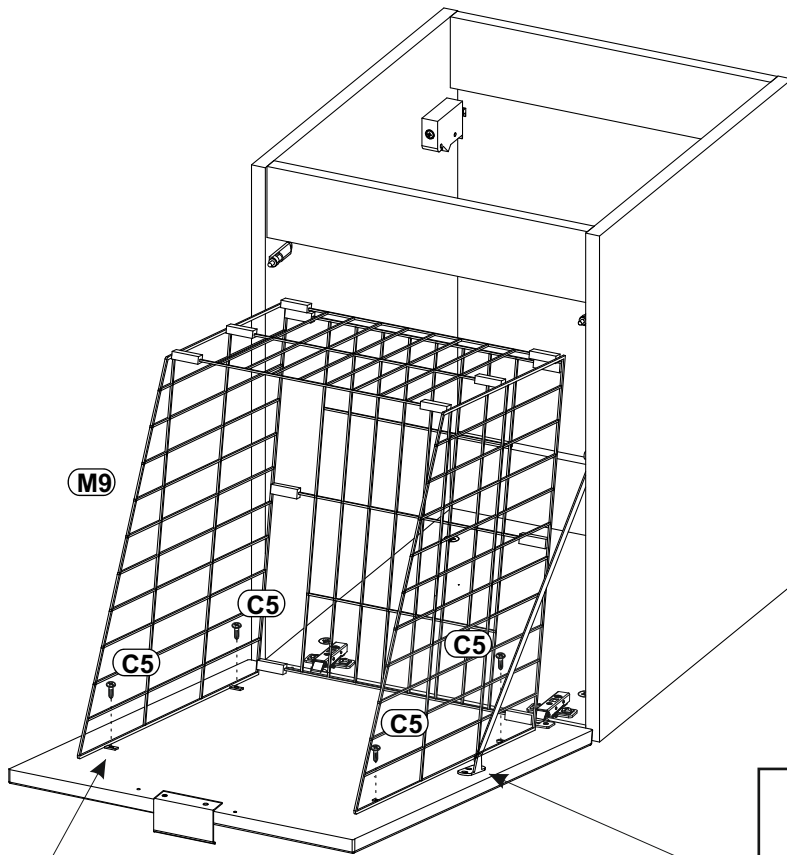
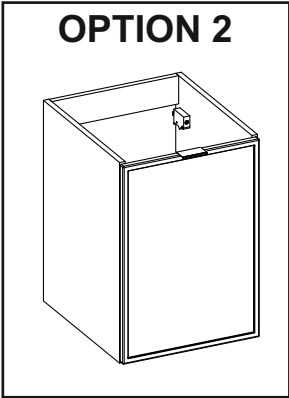
D10
x3
US $\varnothing 3,5 \times 13$

C5
x4
US $\varnothing 3,5 \times 13$

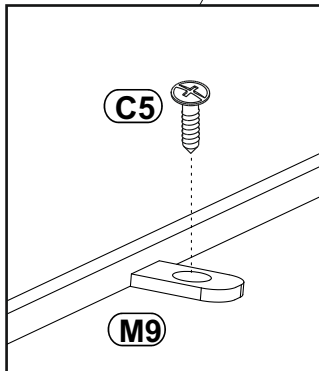
M9
x1



OPTION 2



2.



1.

