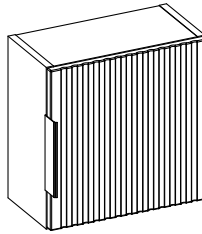
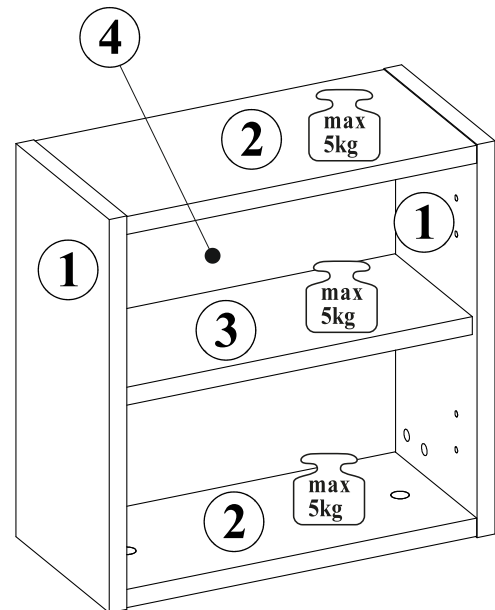
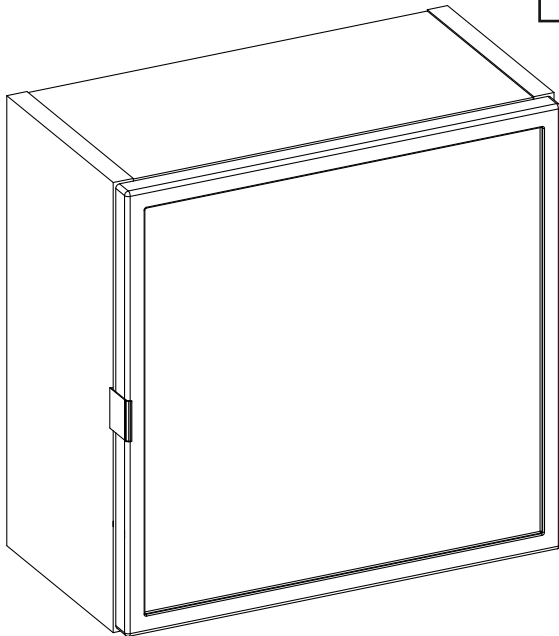
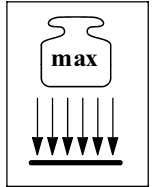
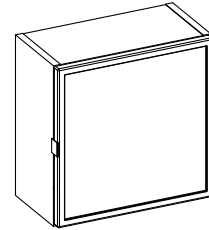


SZAFKA 35x35 1D

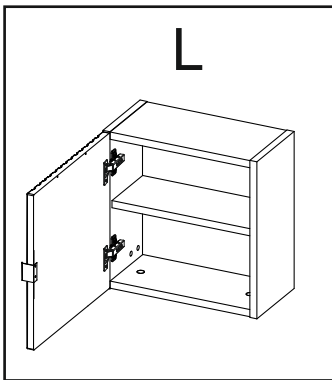
OPTION 1



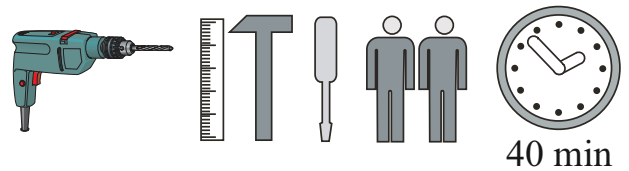
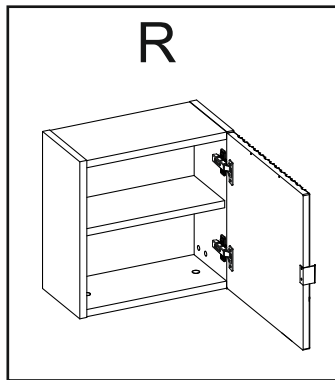
OPTION 2



L

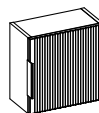
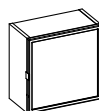


R



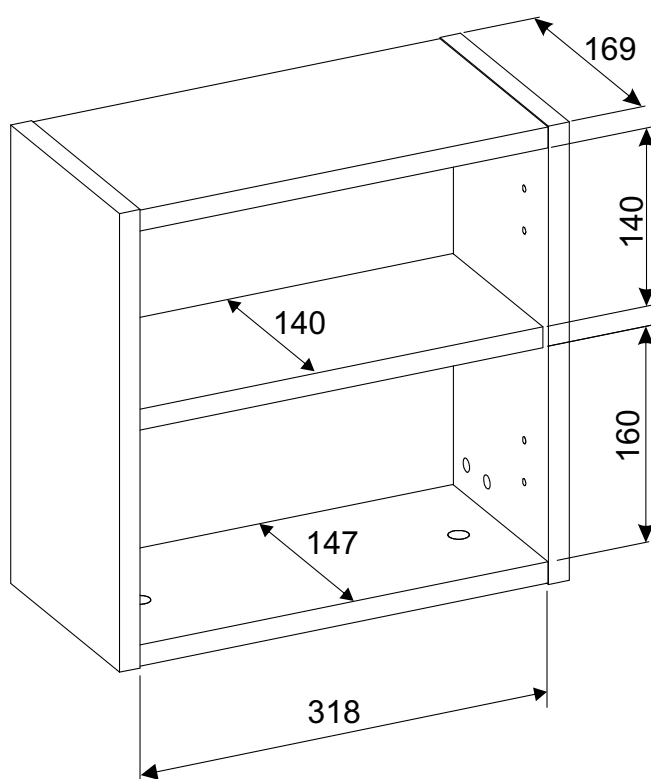
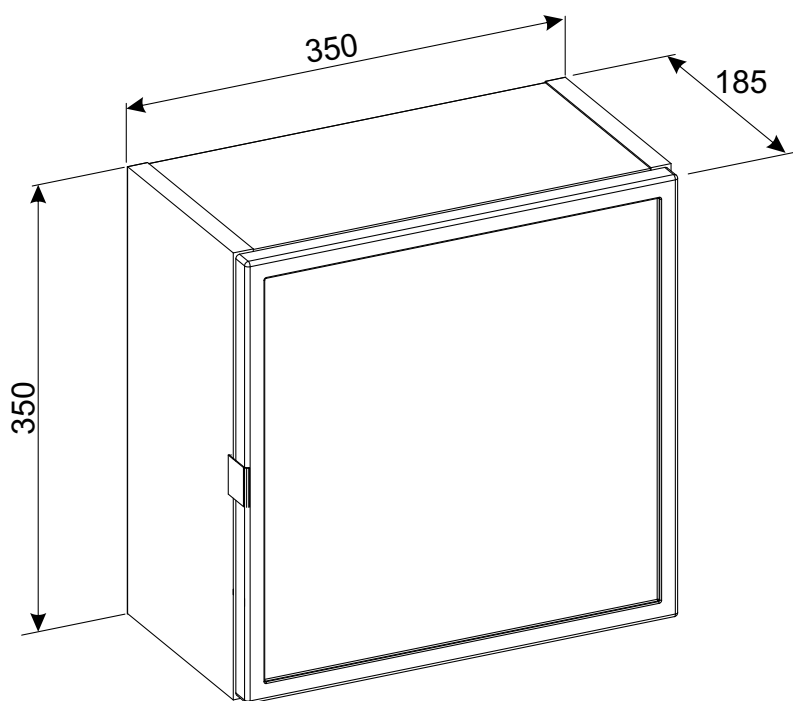
40 min

NO	Dim.			Col.-No	Qty
1	350	169	16	1/1	2
2	318	168	16	1/1	2
3	318	140	16	1/1	1
4	327	327	3	1/1	1
5	346	346	17	1/1	1

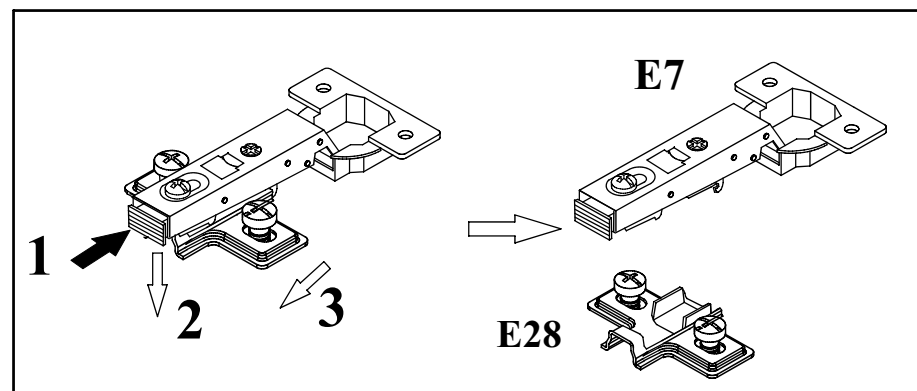
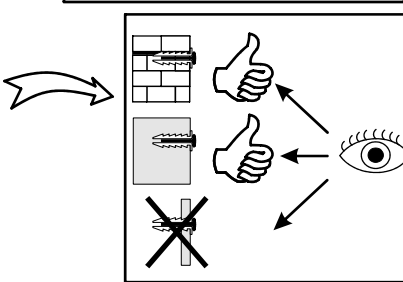
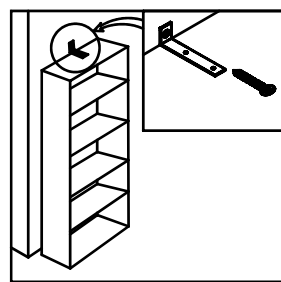
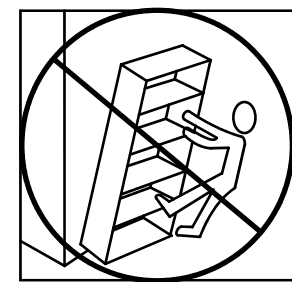
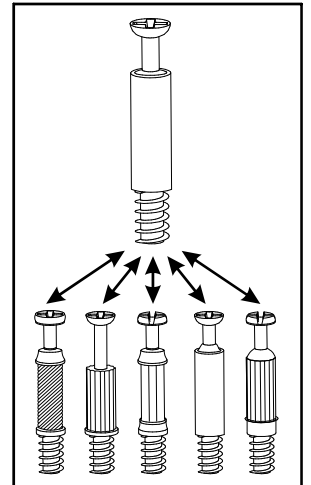
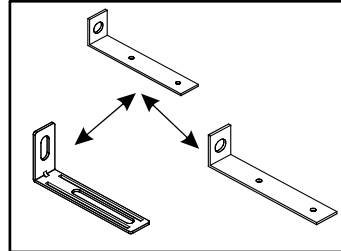
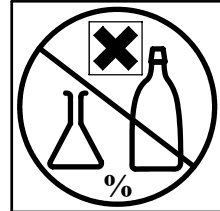
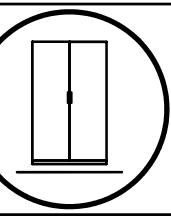
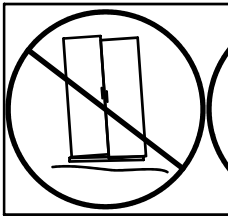
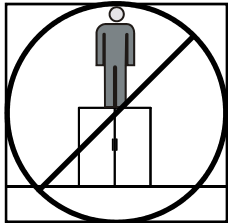
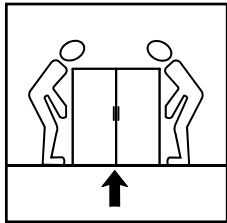
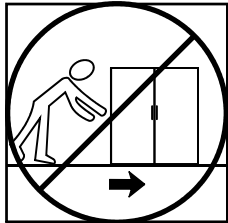
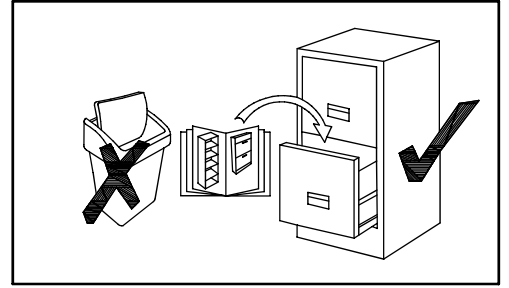
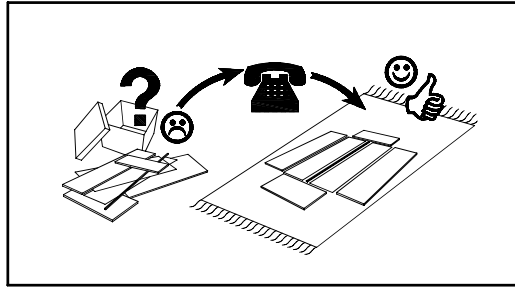
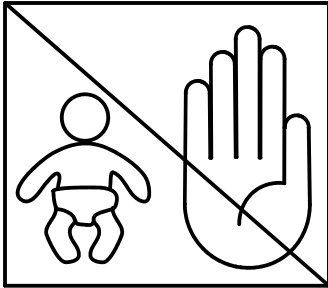
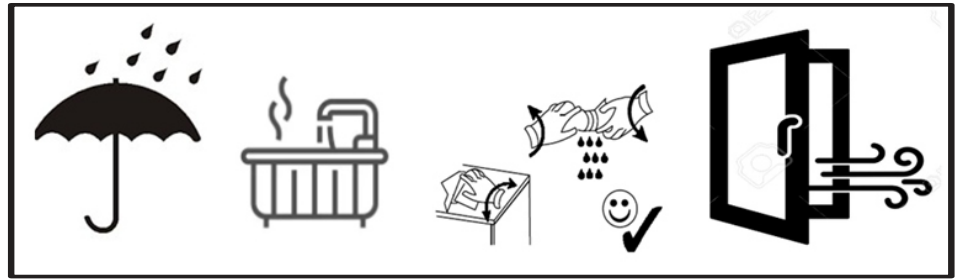
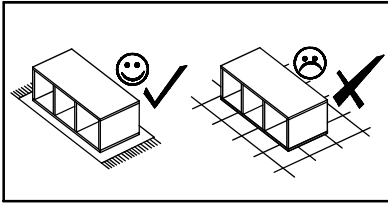
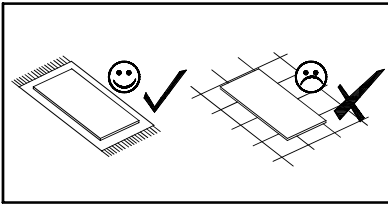


NO	Dim.			Col.-No	Qty
1	350	169	16	1/1	2
2	318	168	16	1/1	2
3	318	140	16	1/1	1
4	327	327	3	1/1	1
5	346	346	16	1/1	1


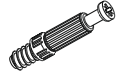


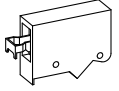
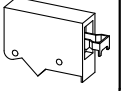
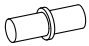


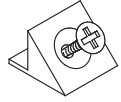


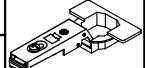
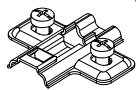

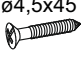
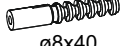
SZAFKA 35x35 1D



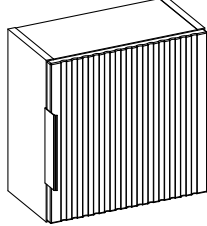
SZAFKA 35x35 1D

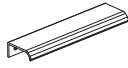
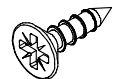


SZAFKA 35x35 1D

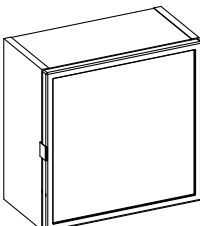
A1 x8  ø8x35	B4 x4 	B5 x4  ø15x12	G5 x4 	ZXP x1 	ZXL x1 
G7 x4 	D10 x4  US ø3,5x13	SZ7 x2 	S1 x4 	D6 x4  US ø4x30	Z2 x4  Ø5
E7 x2  Ø35 H=0	E28 x2  H=0	Z4 x4  Ø10	SZ6 x4  ø4,5x45  ø8x40		


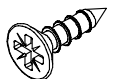
OPTION 1

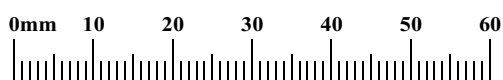


G04 x1  L-148mm.
D10 x2  USø3,5x13

OPTION 2

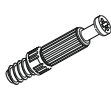

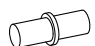



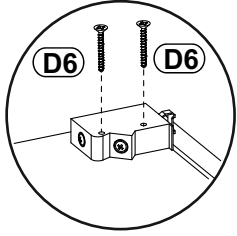
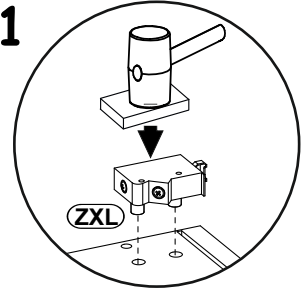
G05 x1  L-32mm.
D10 x2  USø3,5x13

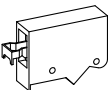


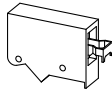
SZAFKA 35x35 1D

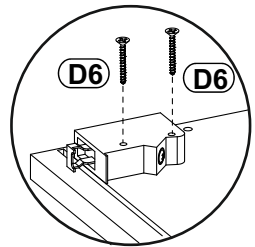
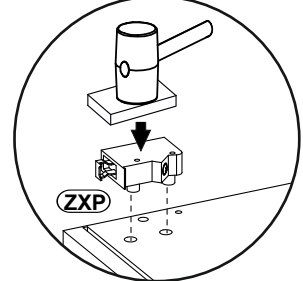
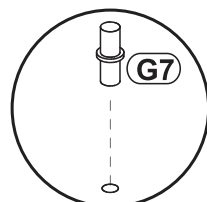
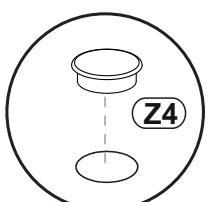
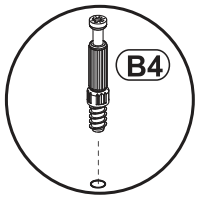
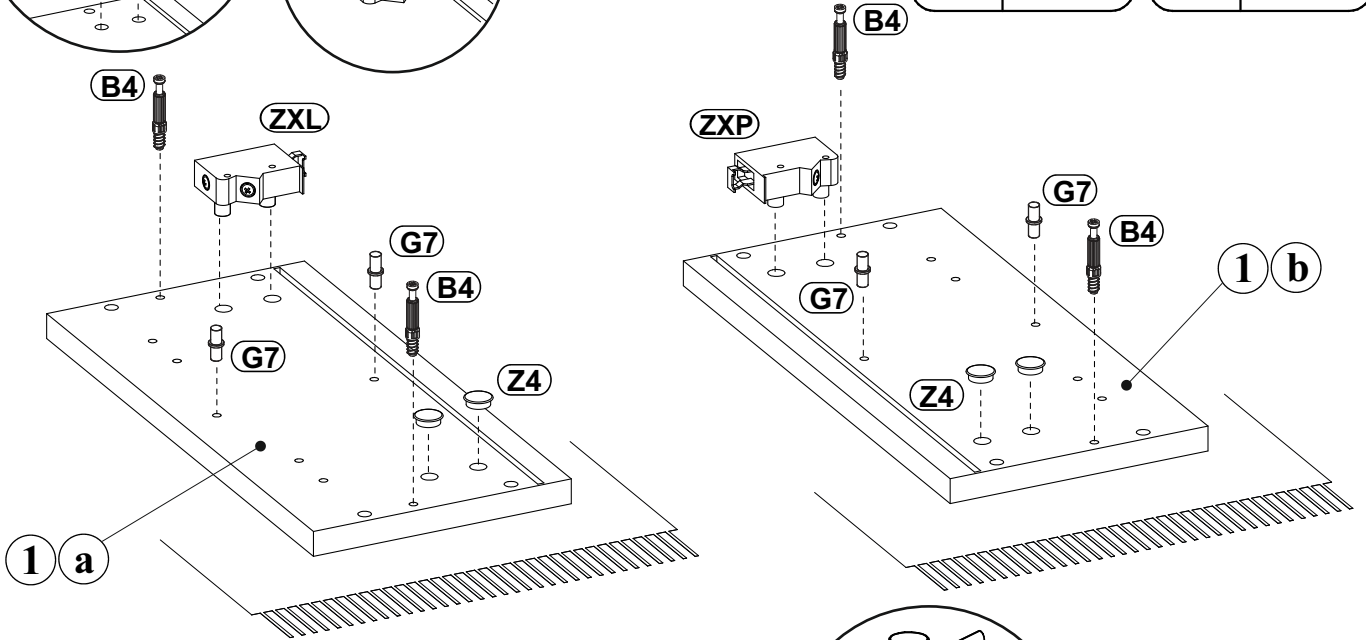
1

B4 x4		D6 x4	 US $\phi 4 \times 30$	G7 x4		Z4 x4	 $\phi 10$
-----------------	---	-----------------	---	-----------------	---	-----------------	--

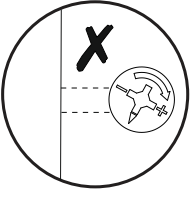
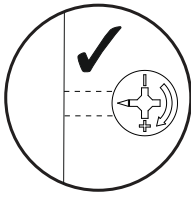
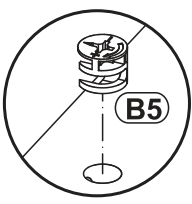


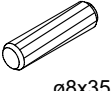
ZXP x1	
------------------	---

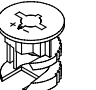
ZXL x1	
------------------	---

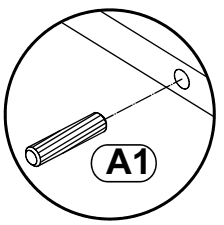
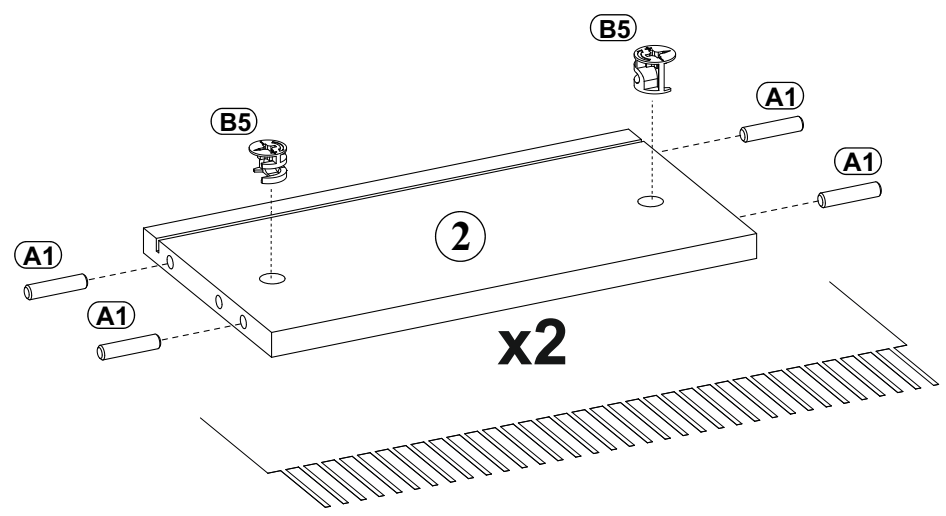


2



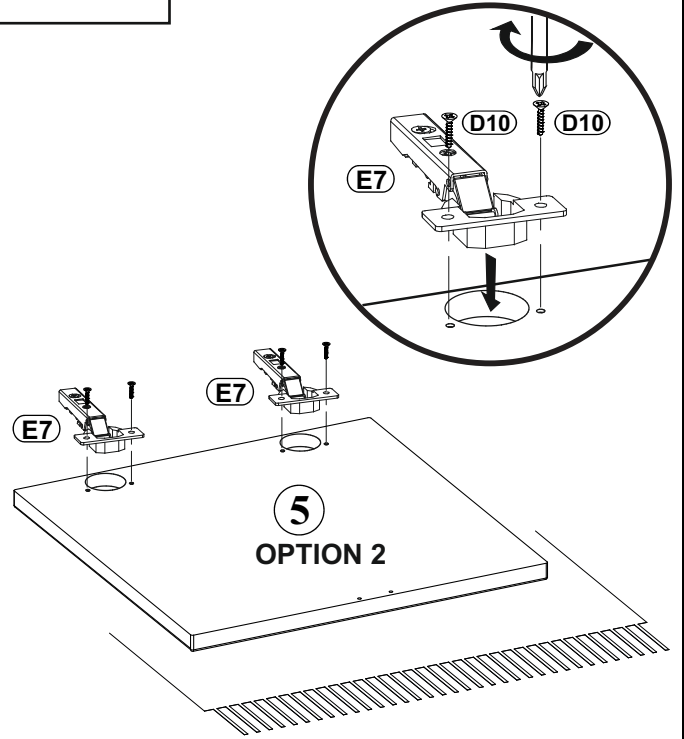
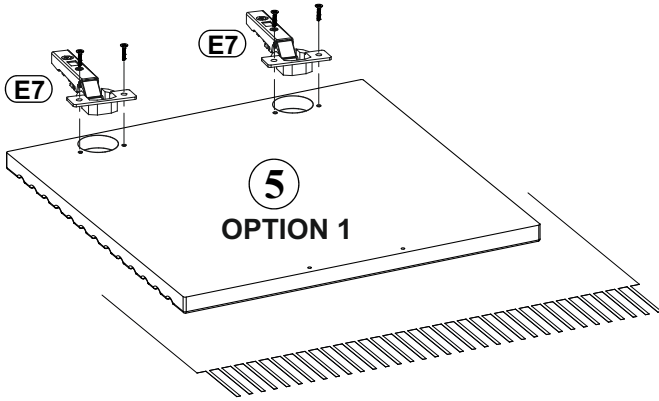
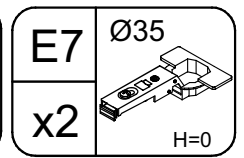
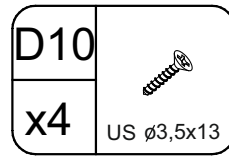
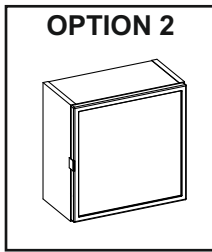
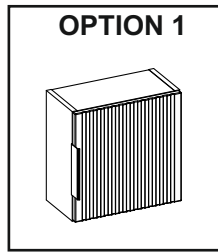
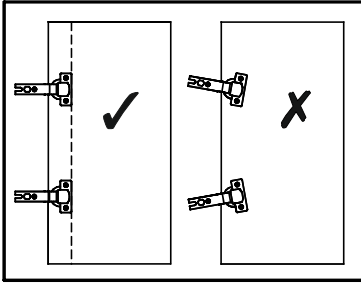
A1 x8	 $\phi 8 \times 35$
-----------------	---

B5 x4	 $\phi 15 \times 12$
-----------------	--

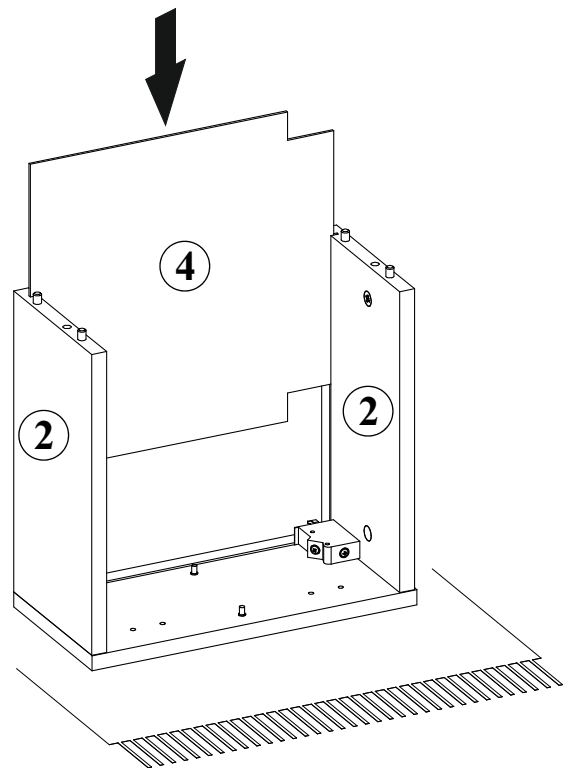
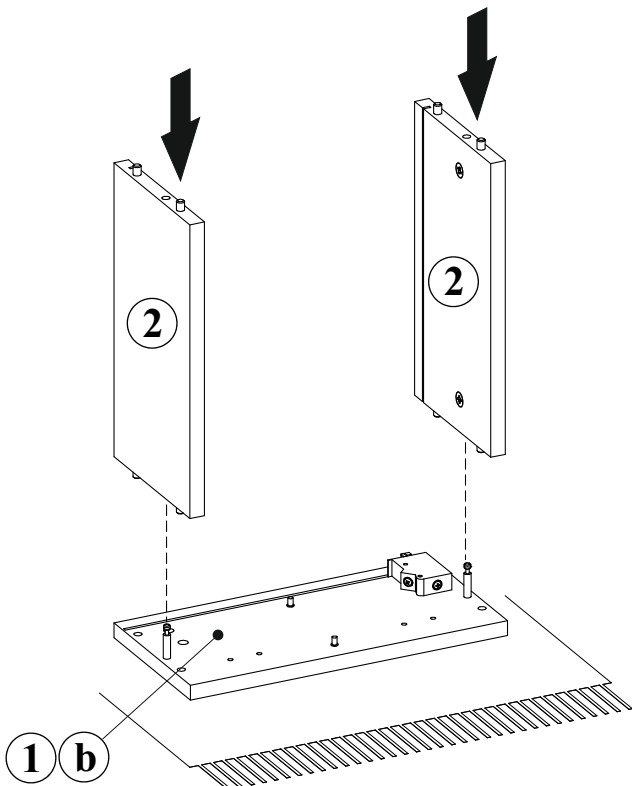
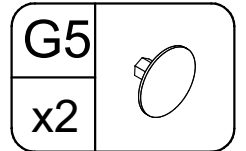
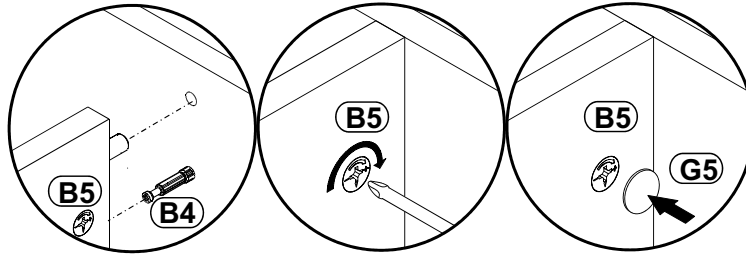


SZAFKA 35x35 1D

3

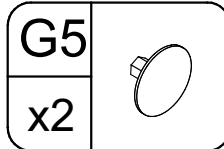
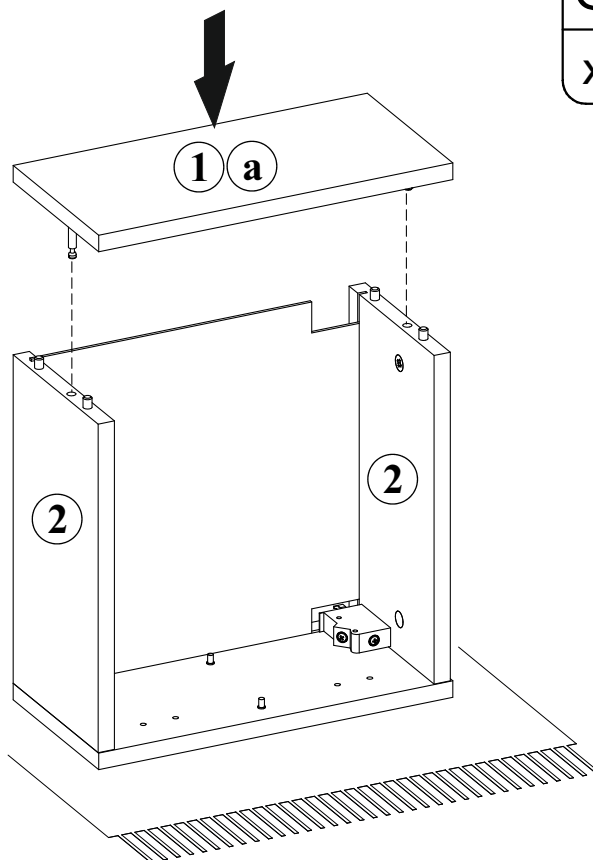
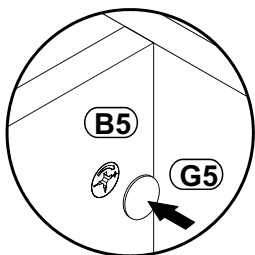
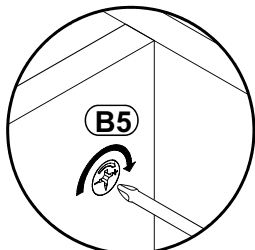
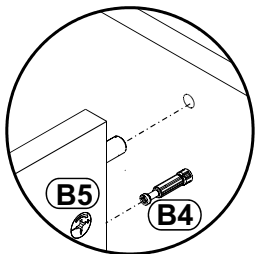


4

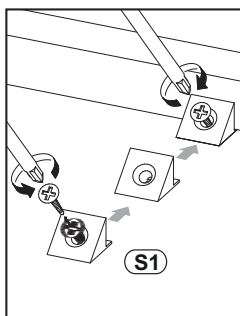
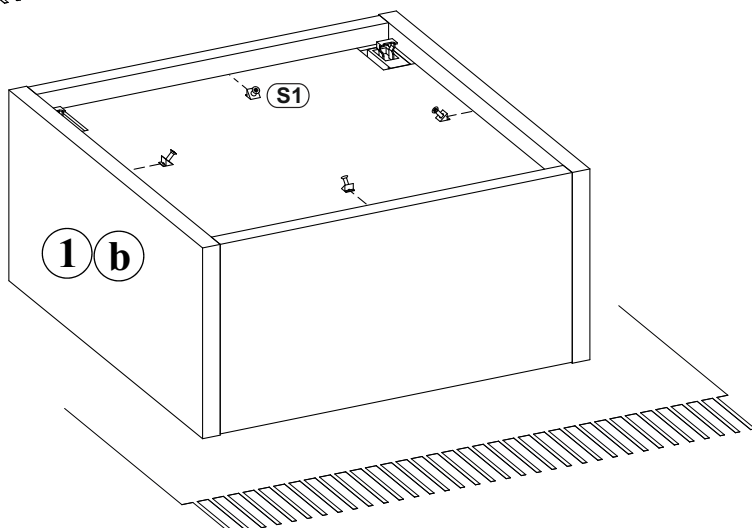
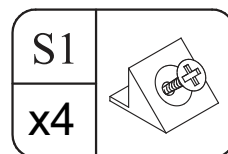
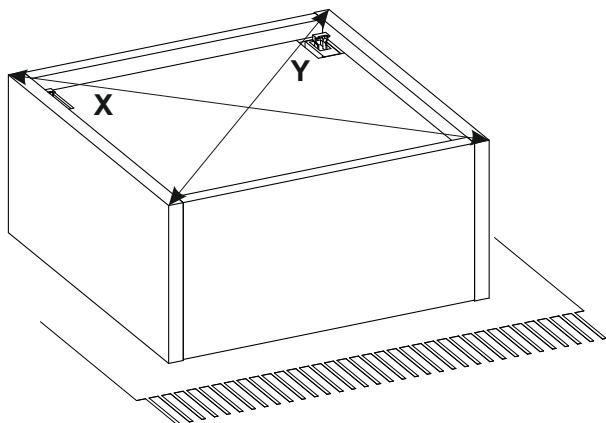


SZAFKA 35x35 1D

5


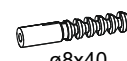



6

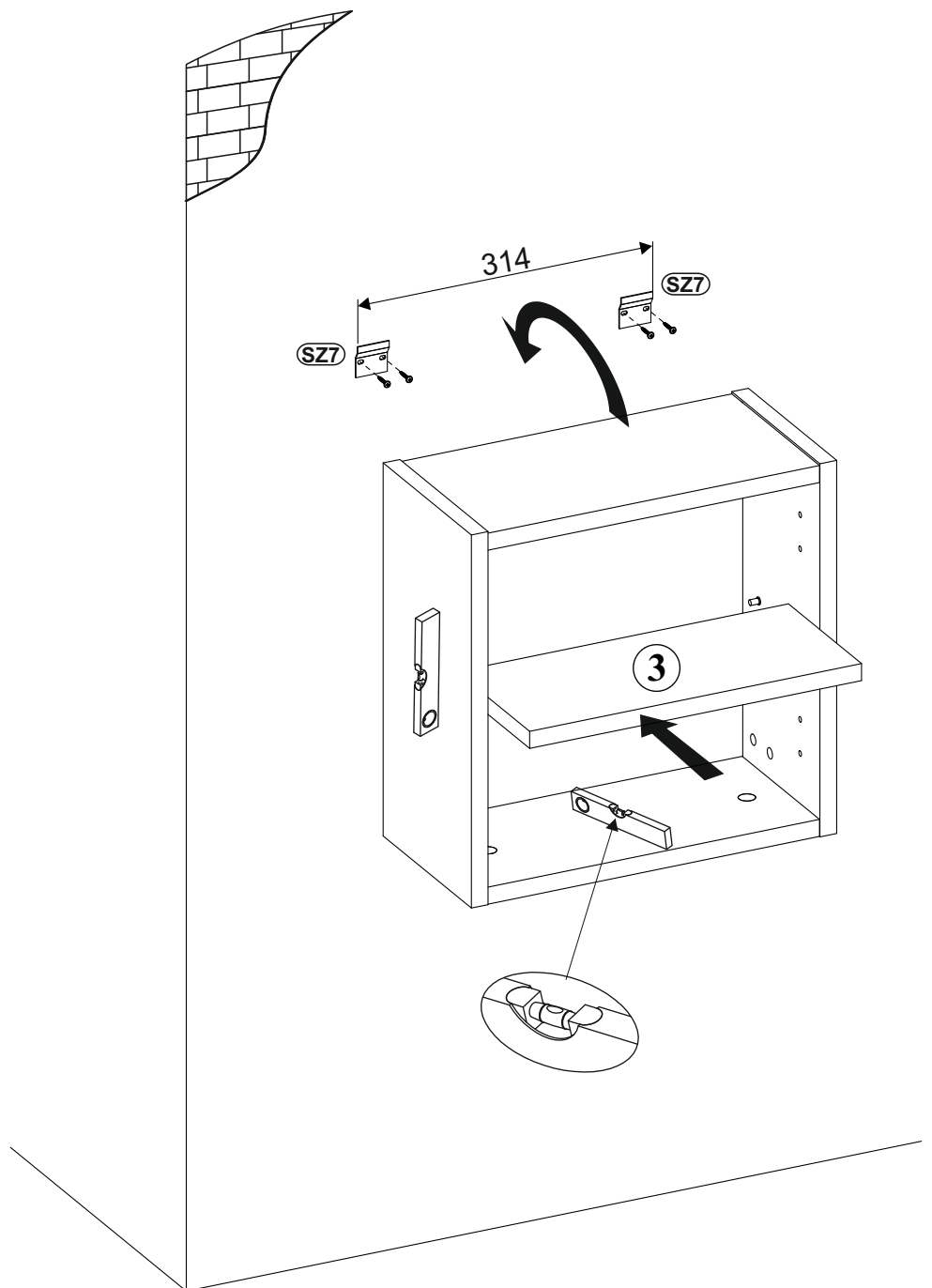
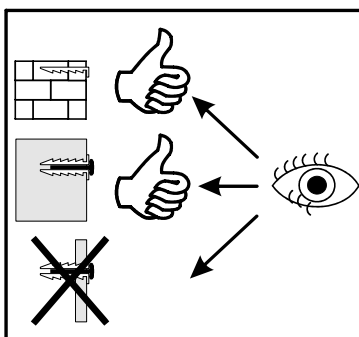
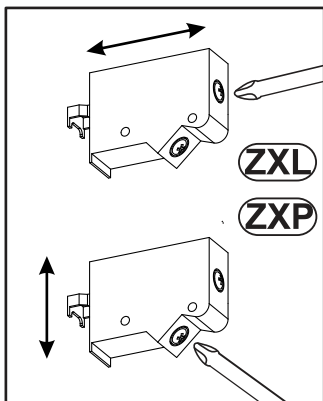
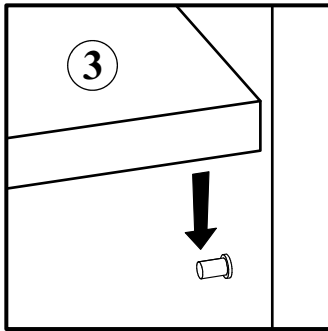
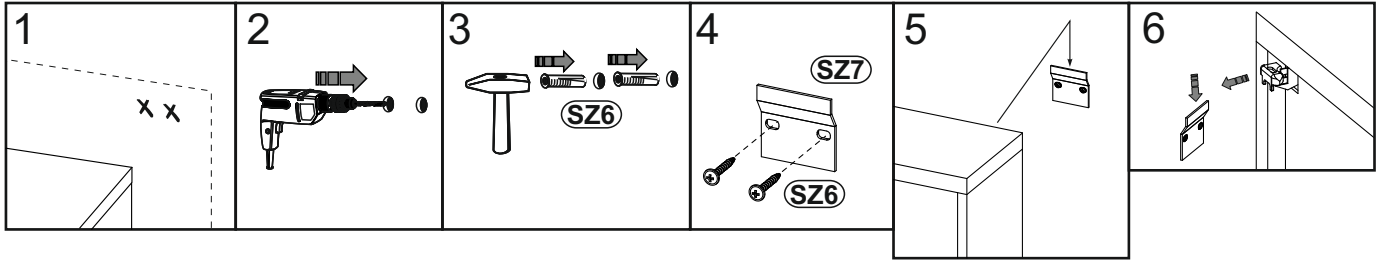


SZAFKA 35x35 1D

7

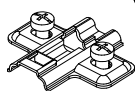

SZ6	 
x4	

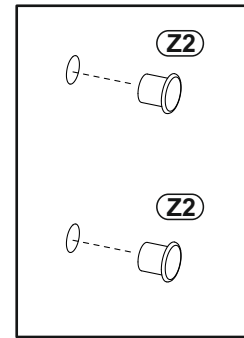
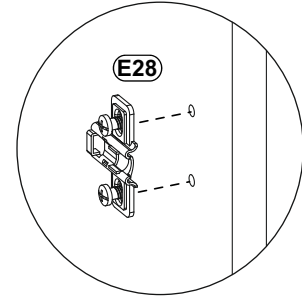
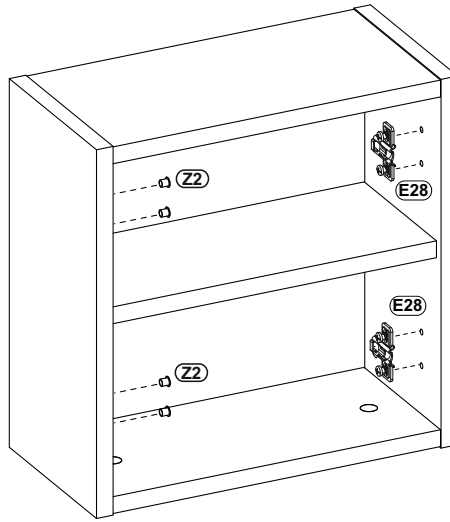
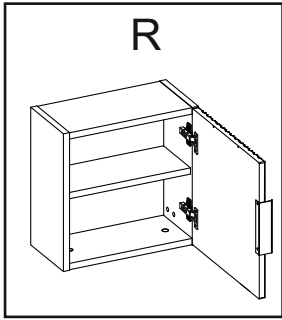
SZ7	
x2	



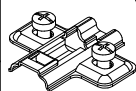

SZAFKA 35x35 1D

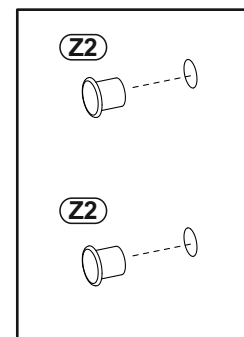
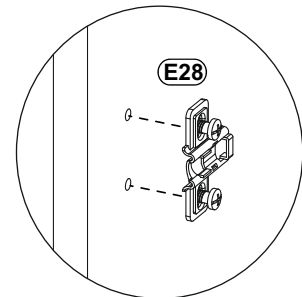
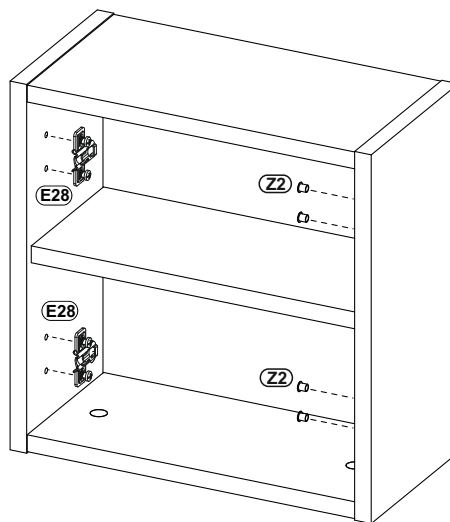
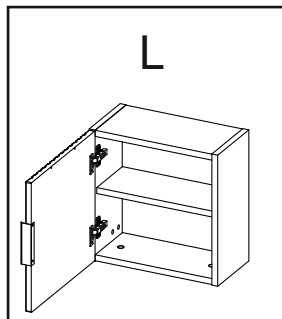
8

E28		Z2	
x2	H=0	x4	Ø5





9

E28		Z2	
x2	H=0	x4	Ø5



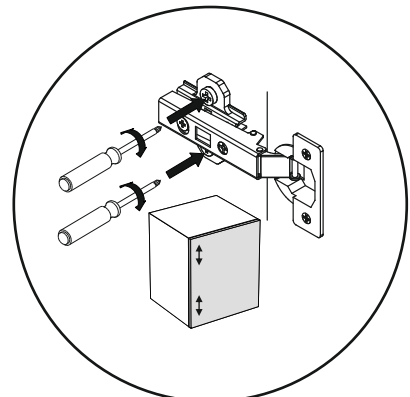
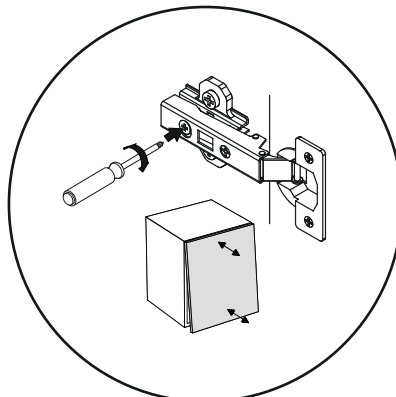
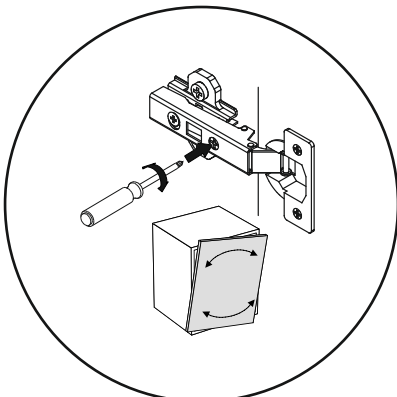
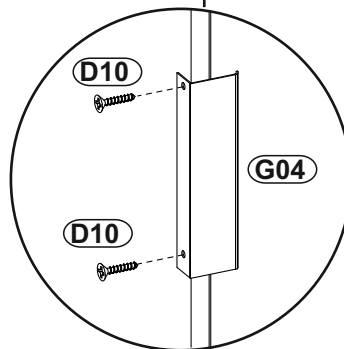
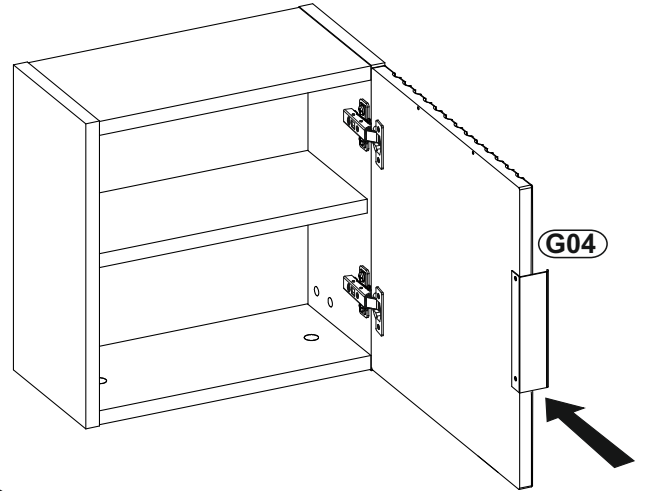
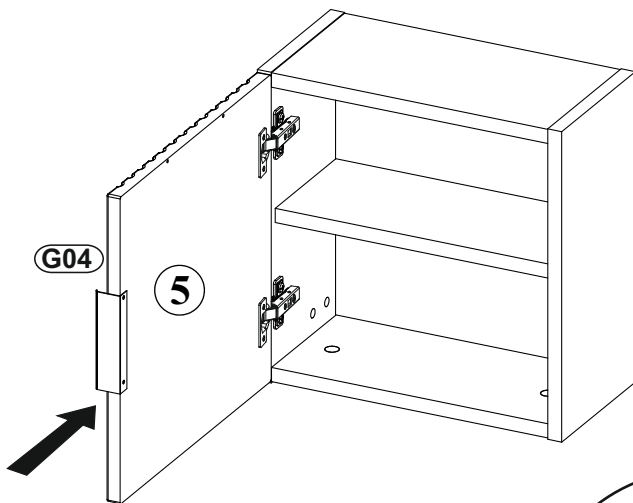
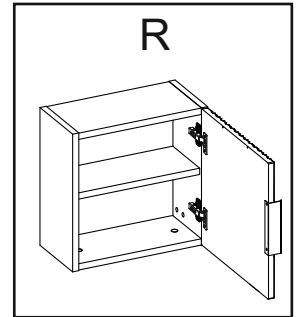
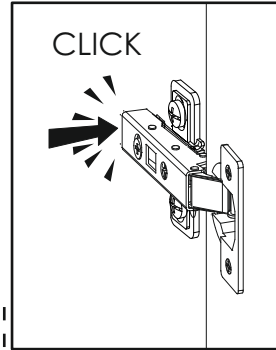
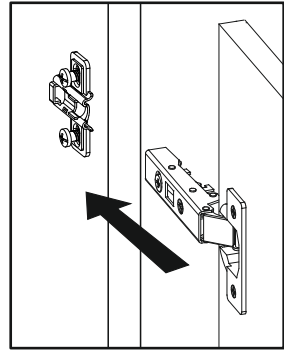
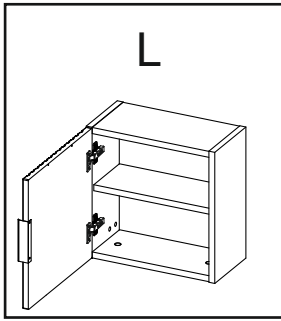
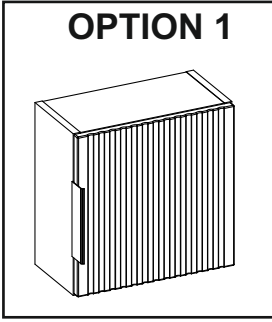
SZAFKA 35x35 1D

G04	
x1	L-148mm.


D10	
x2	US ø3,5x13

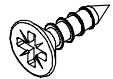
10

OPTION 1



SZAFKA 35x35 1D

G05	
x1	L-32mm.

D10	
x2	USØ3,5x13

11

OPTION 2

