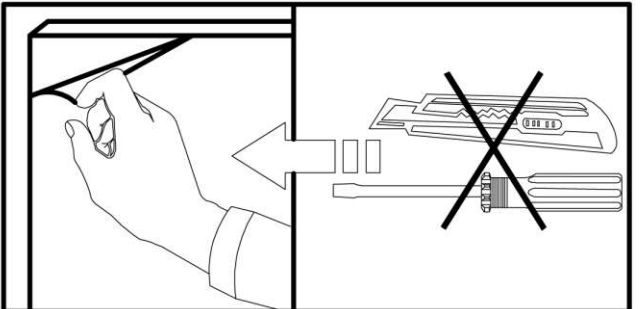
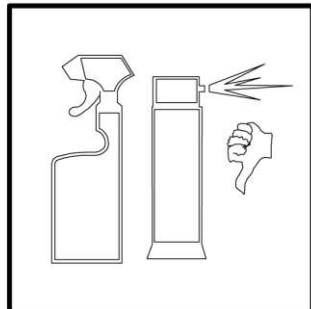
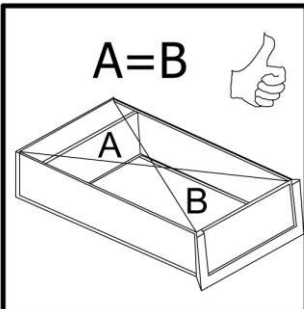
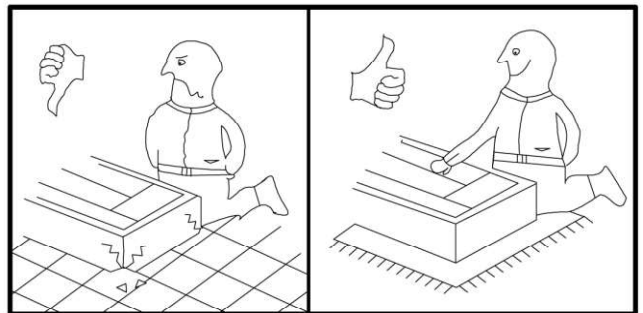
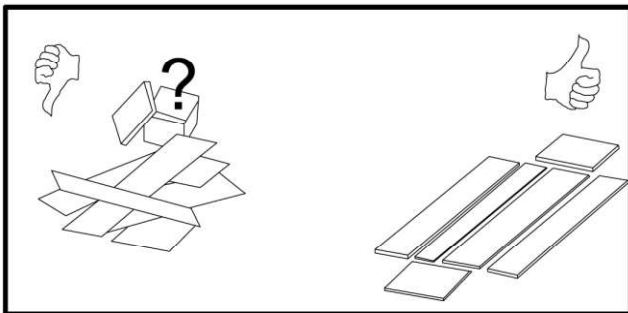
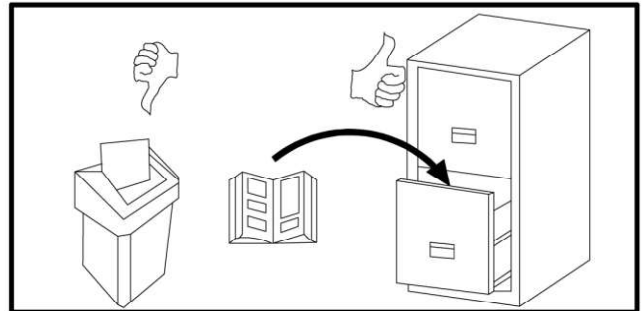
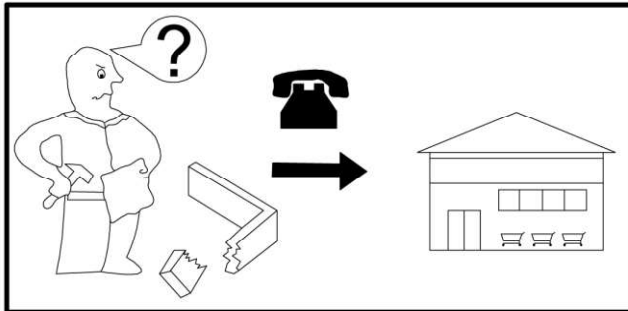
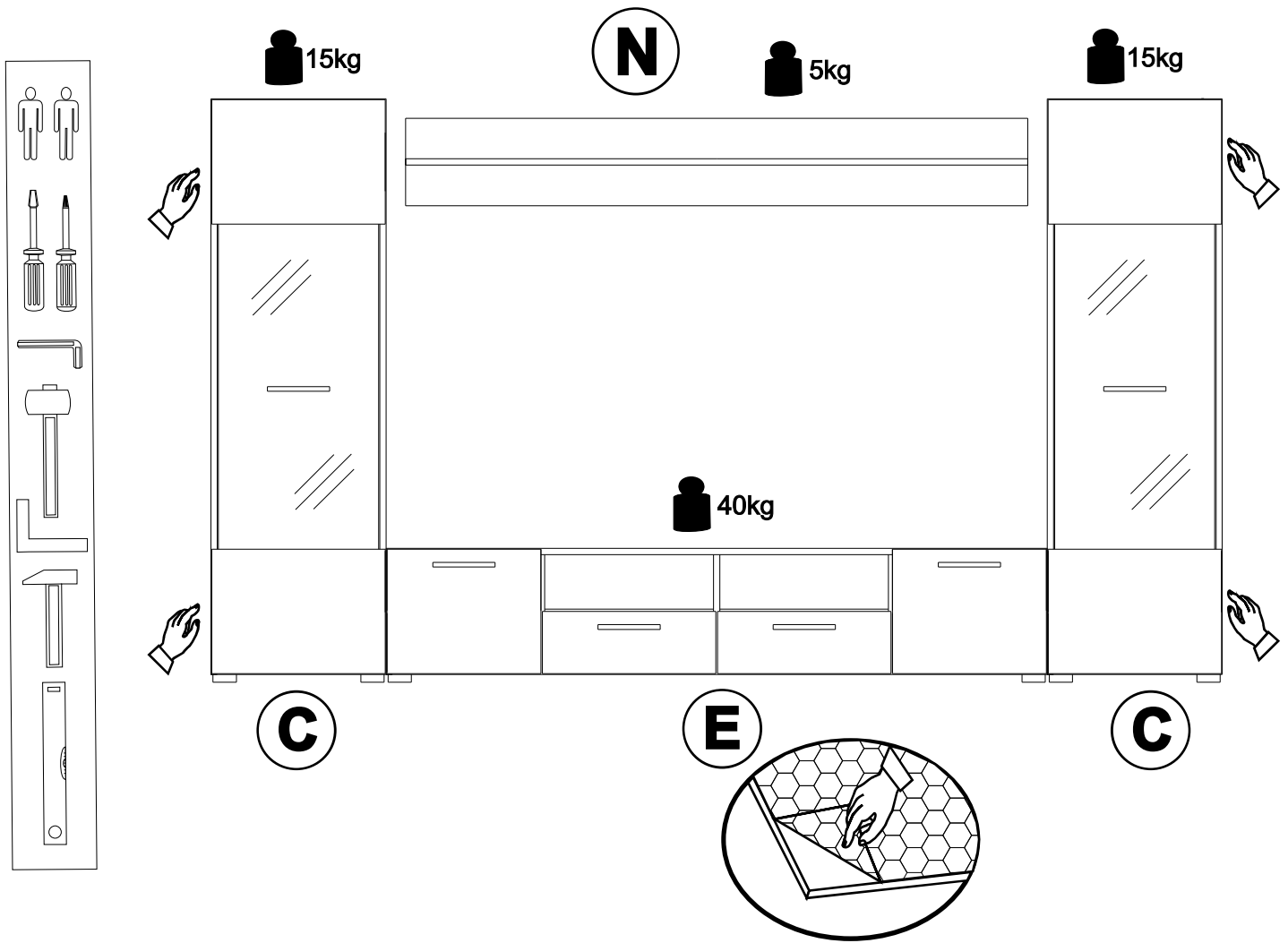

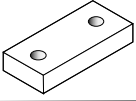

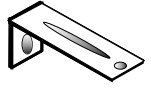
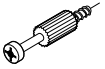


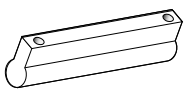





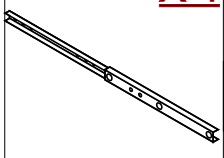






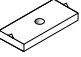

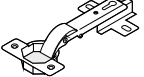
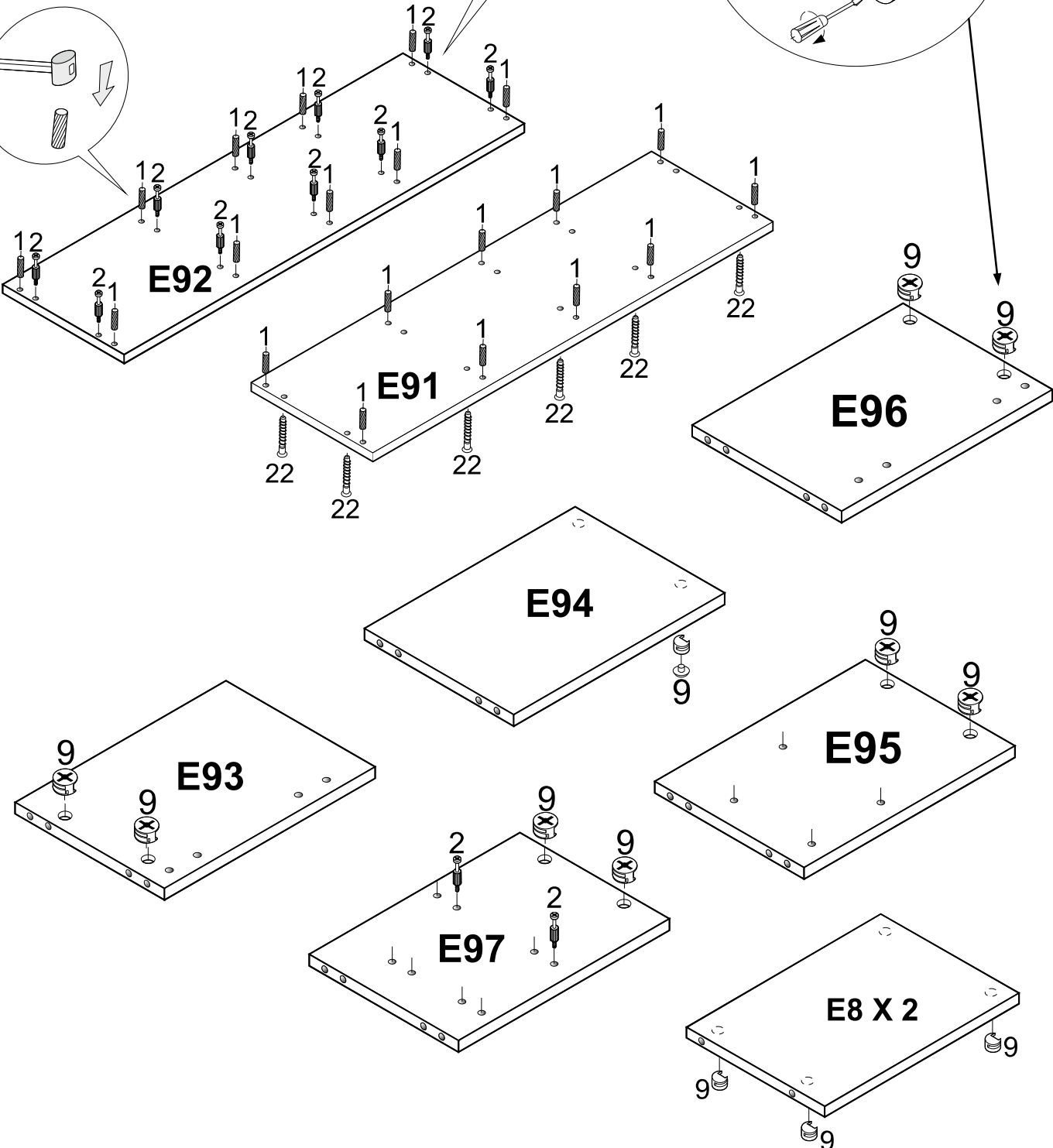
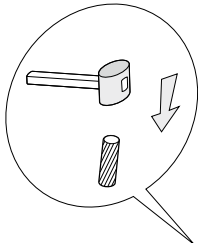
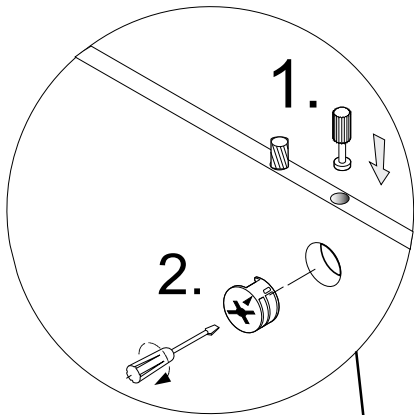
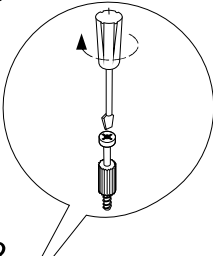
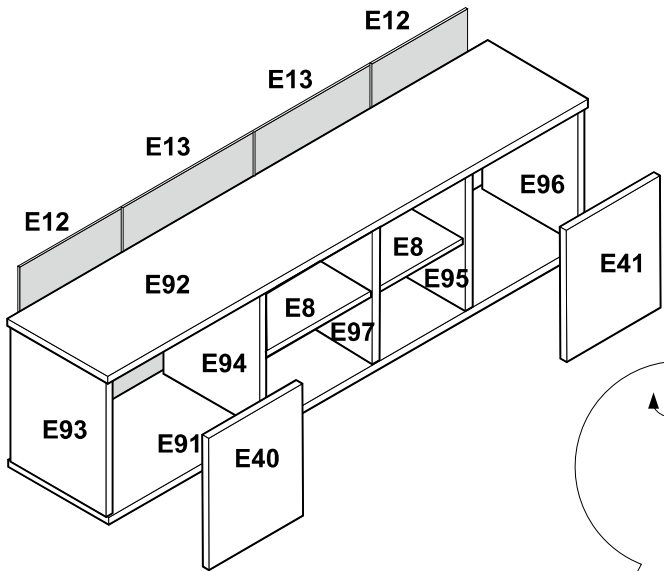
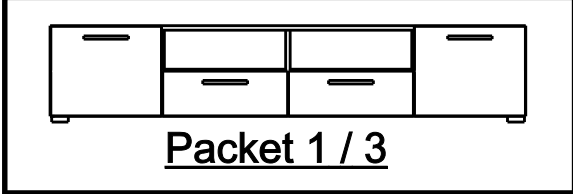


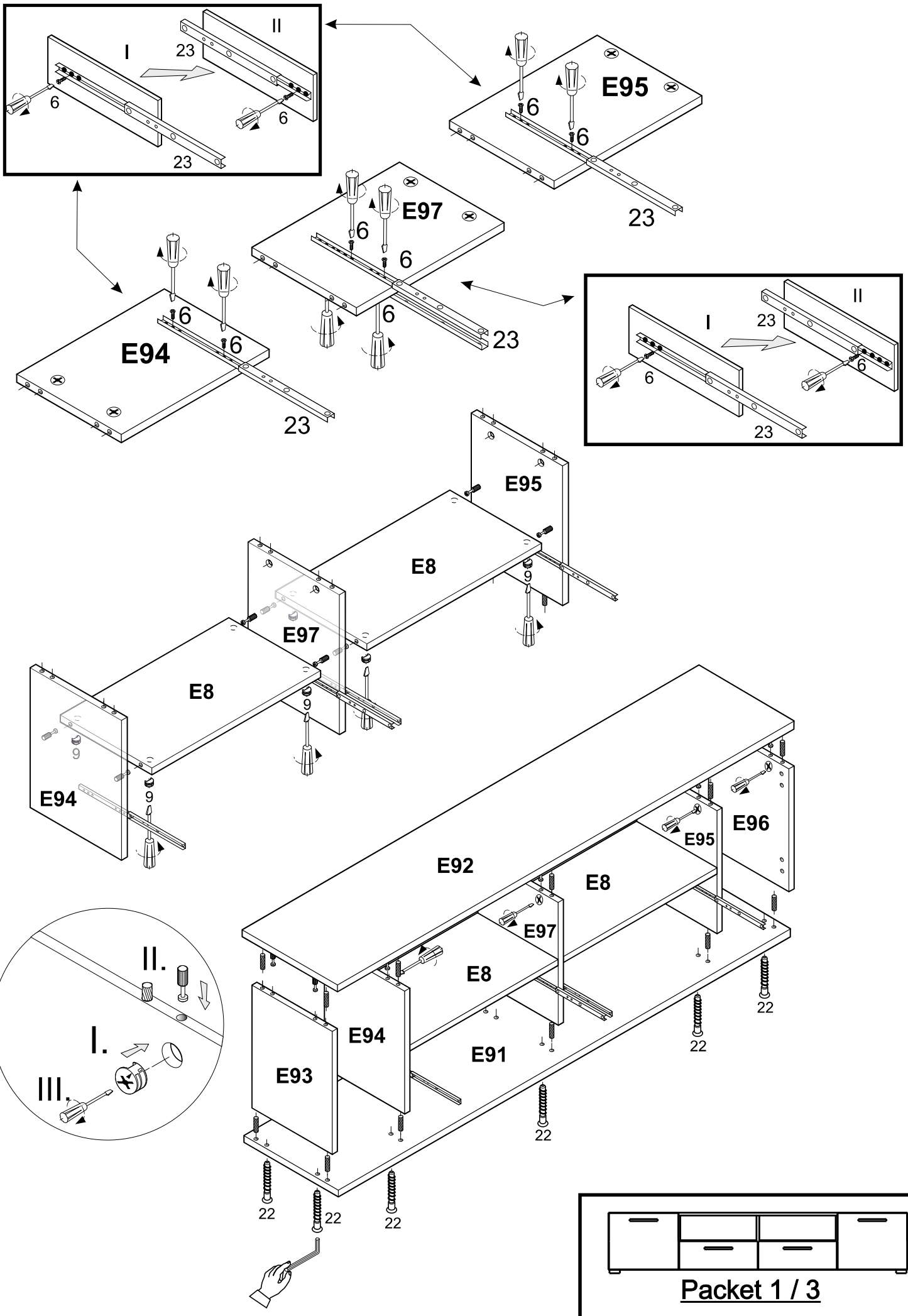
# SORIA

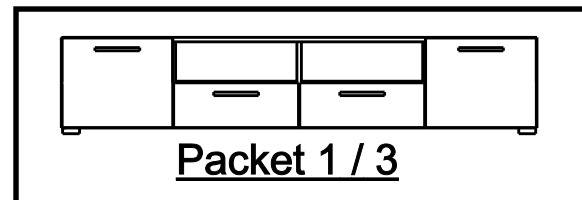
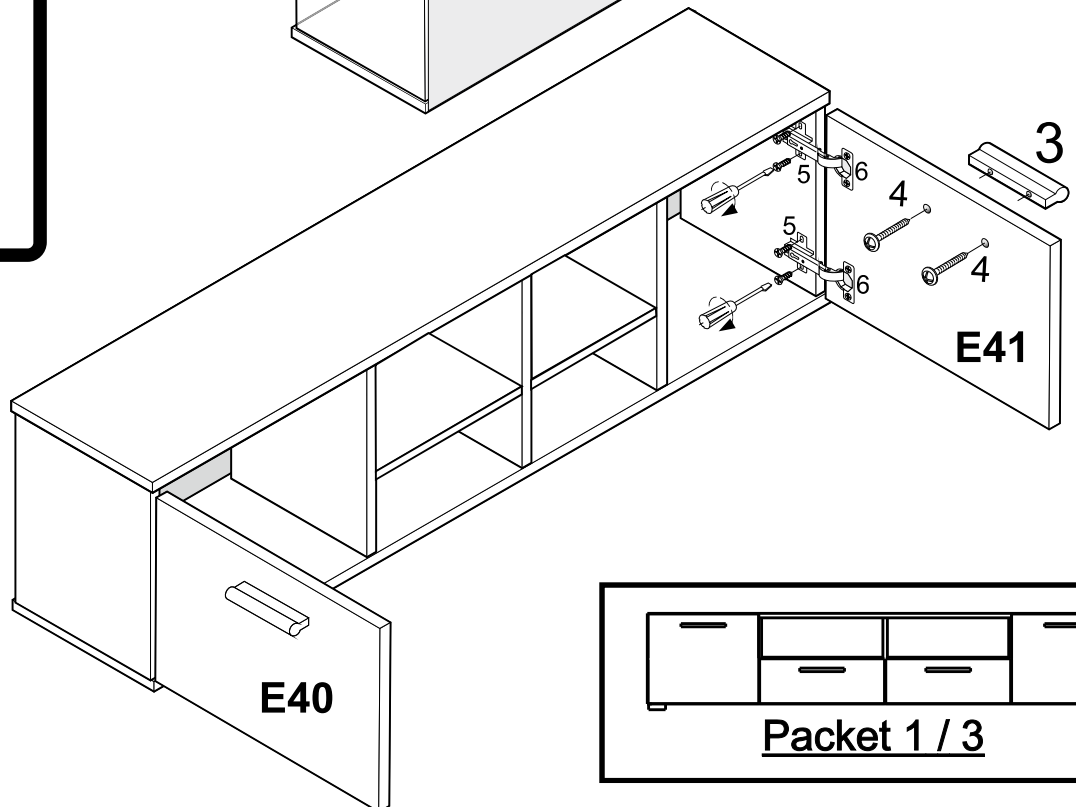
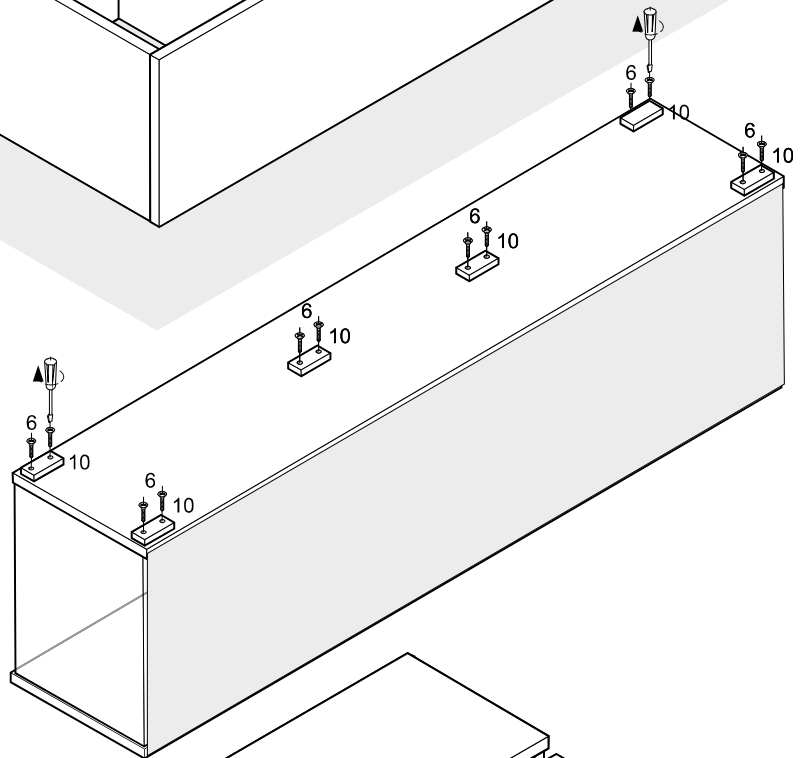
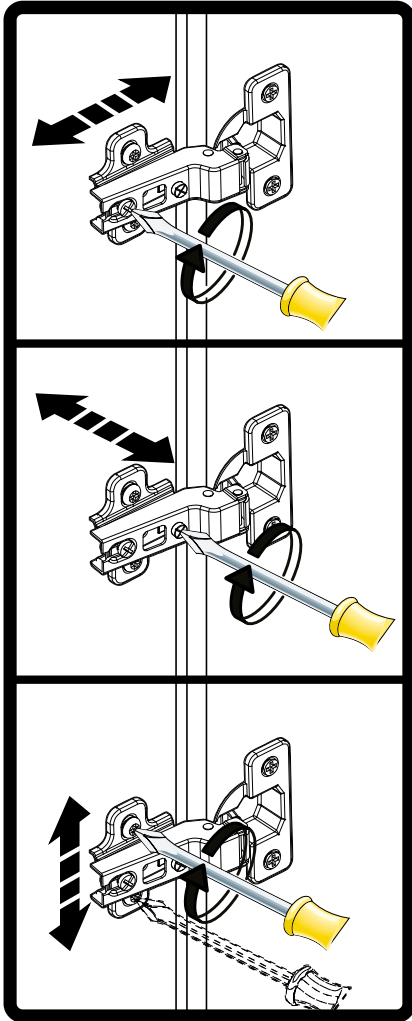
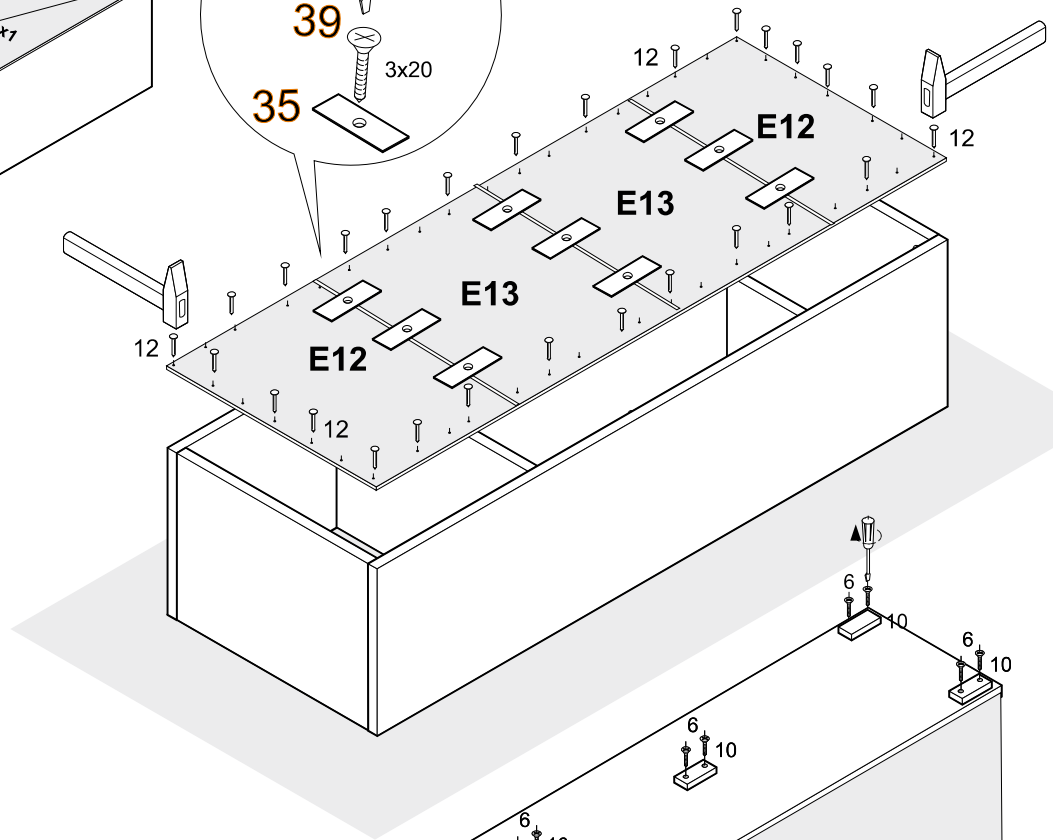
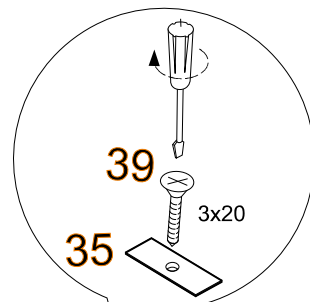
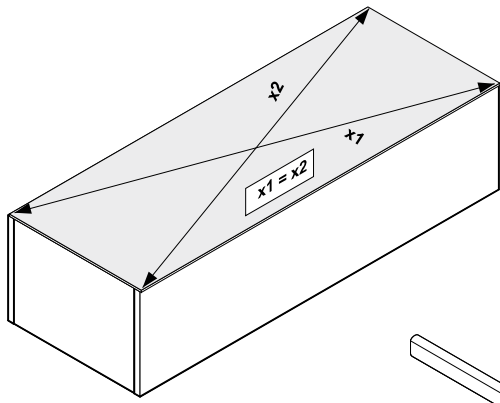


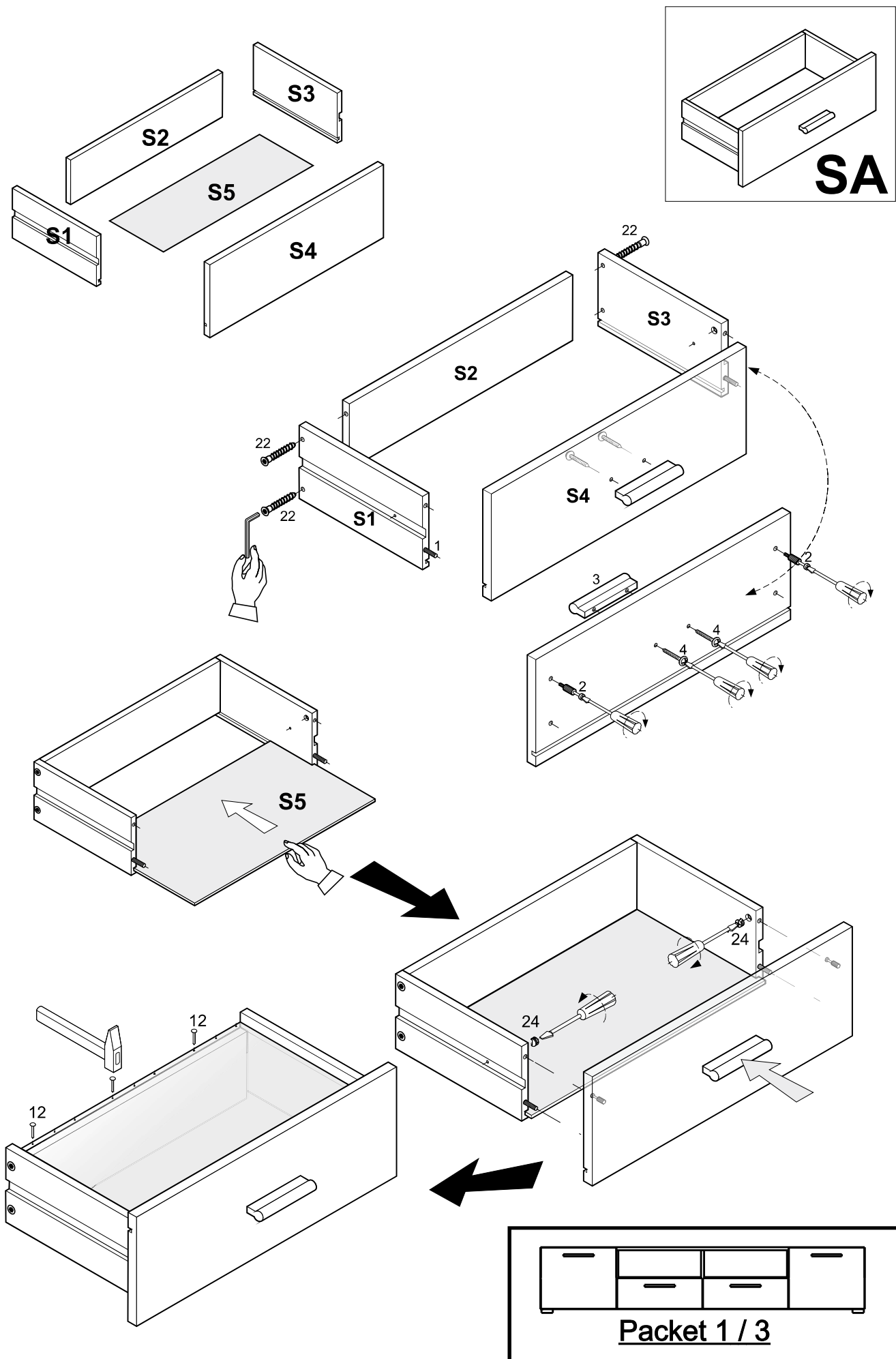


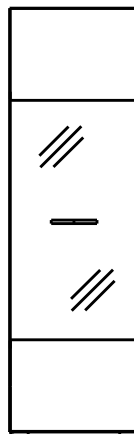
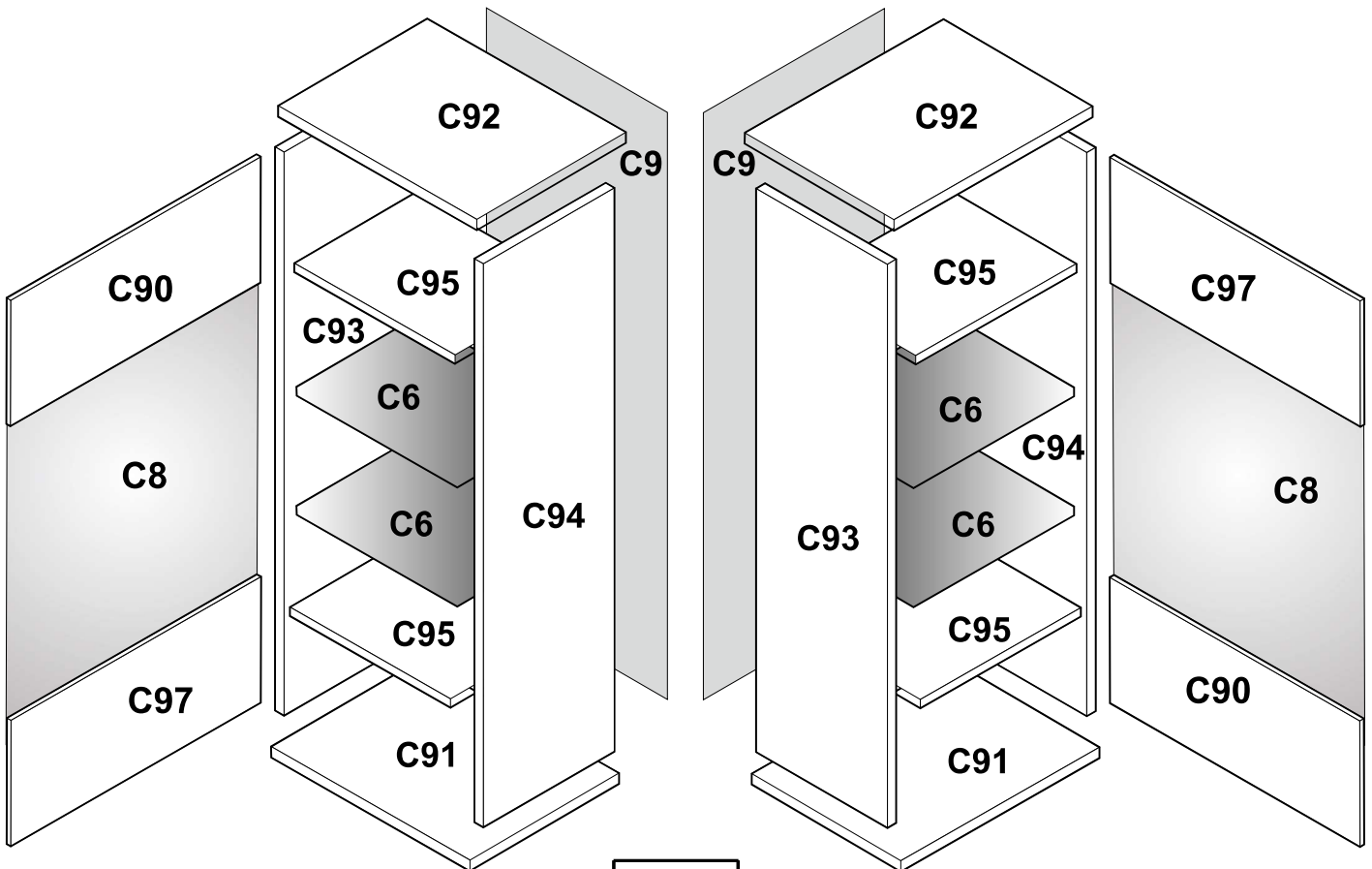
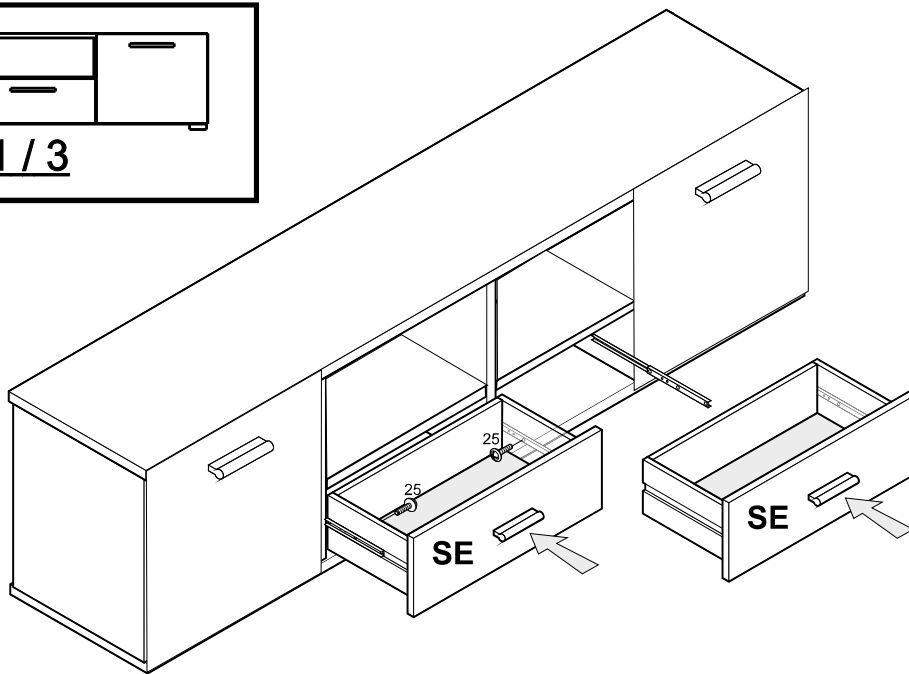
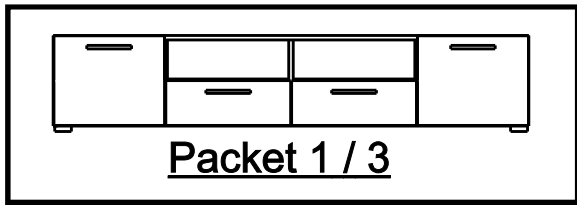
1	 8x35	<u>X 52</u>	10	 X 14	72	 X 2	41	 X 2
2	 3.5x30	<u>X 54</u>	12	 7x50	30	LED LIGHTS X 1	39	 3x20
3		<u>X 6</u>	14	 X 16	25	 M 4 X 8	6	 5x11
4	 4x16	<u>X 8</u>	22	 7x50	23	 X 4	9	 X 50
4A	 4x16	<u>X 18</u>	24	 X 4			9A	 X 50
4B	 4x16	<u>X 4</u>	26	 X 1	35	 X 9	36	 X 12
5		<u>X 12</u>						



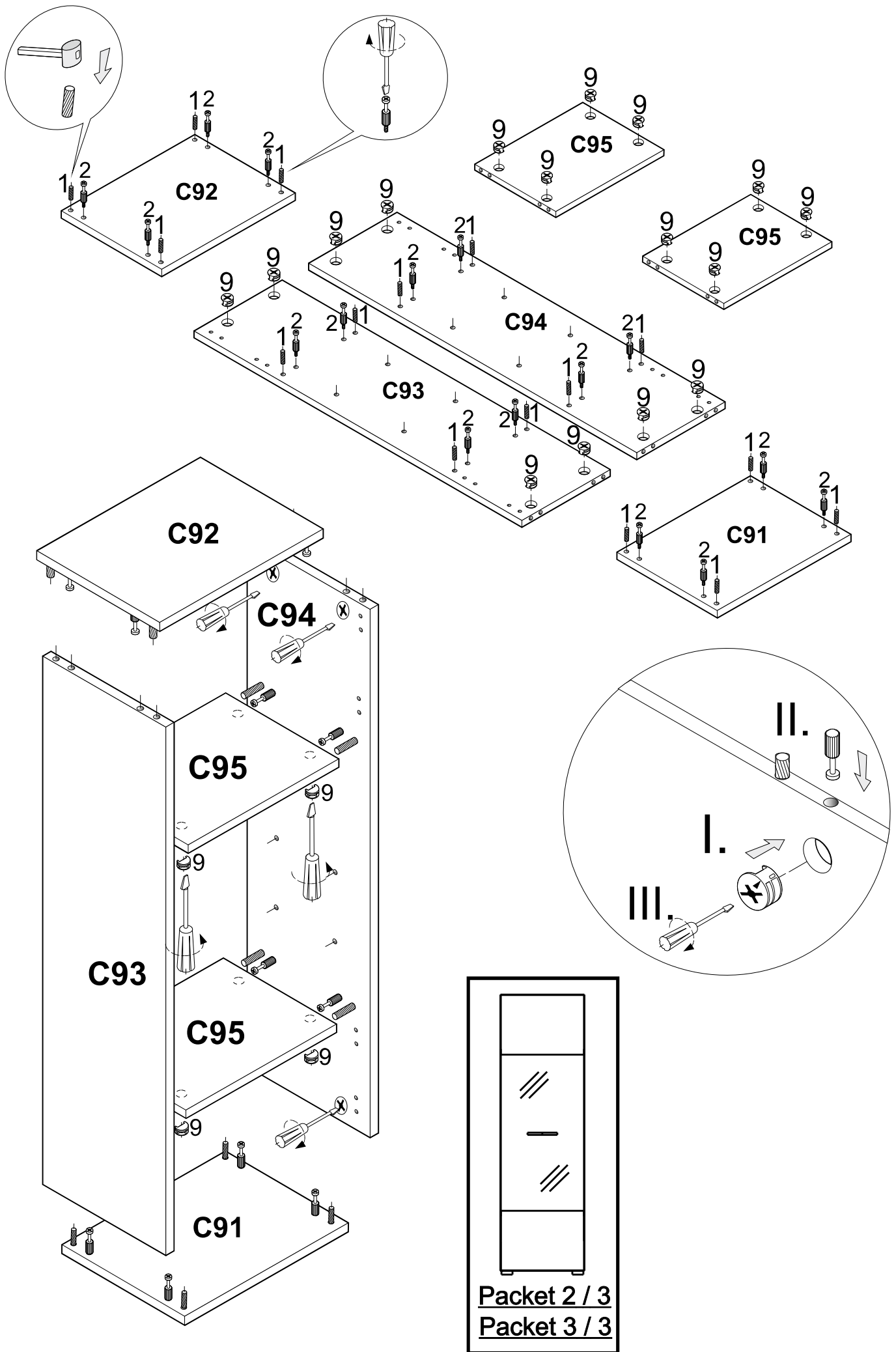




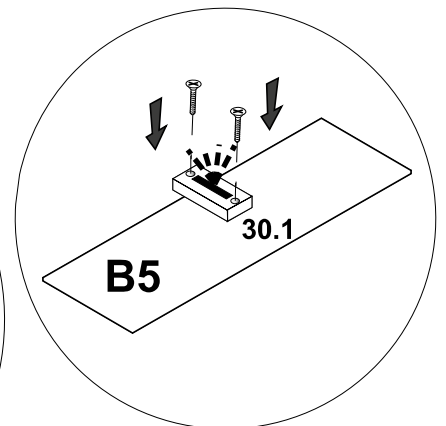
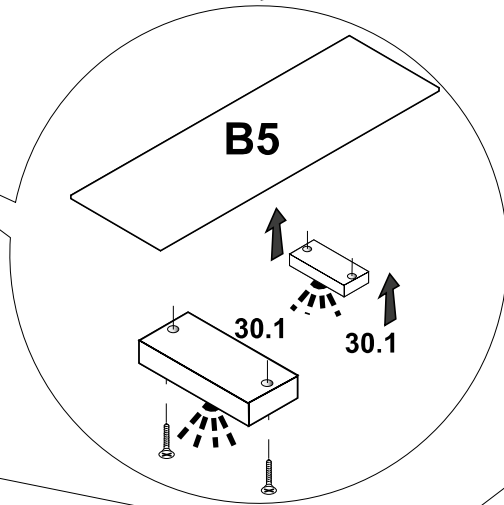
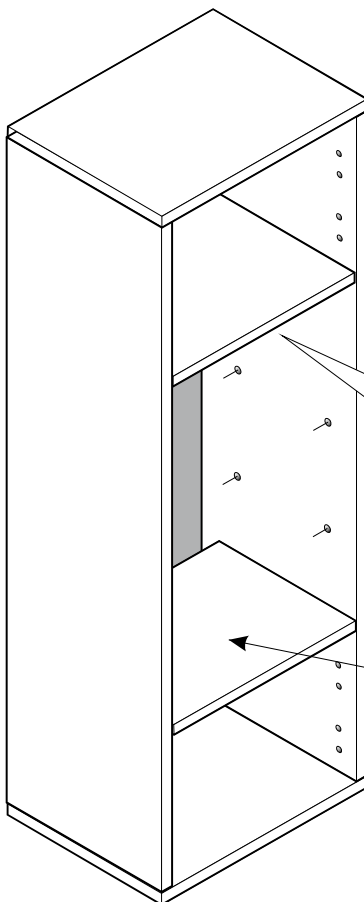
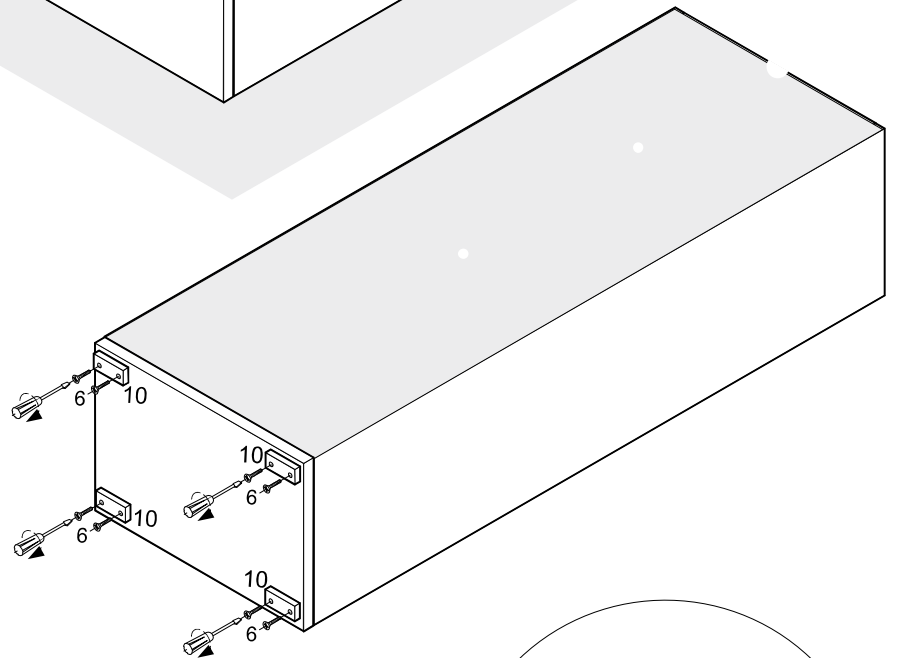
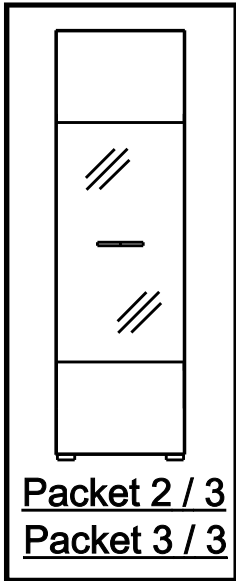
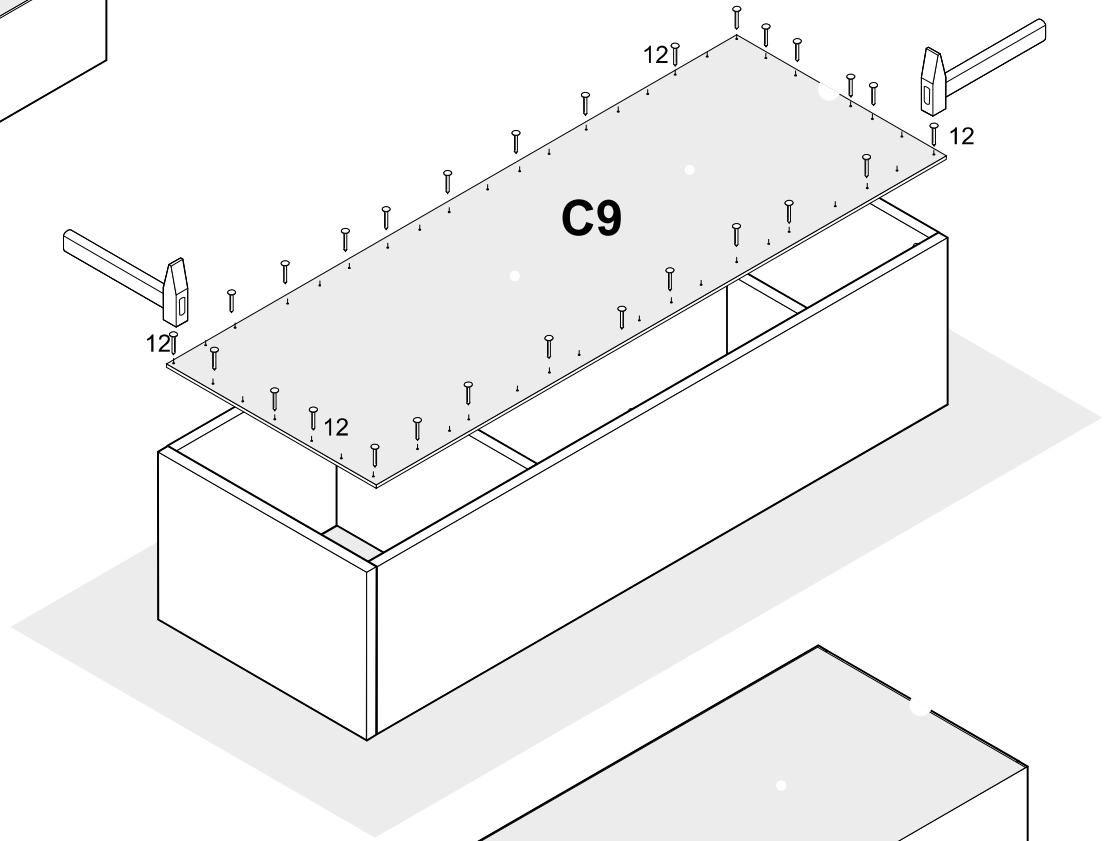
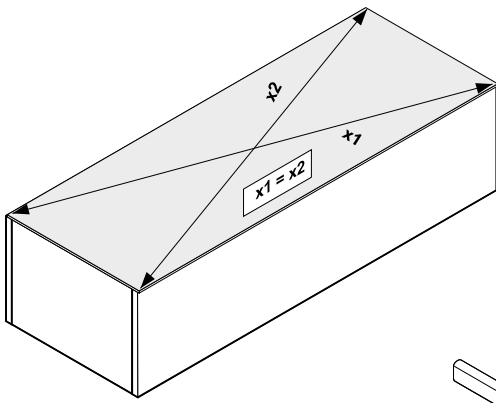


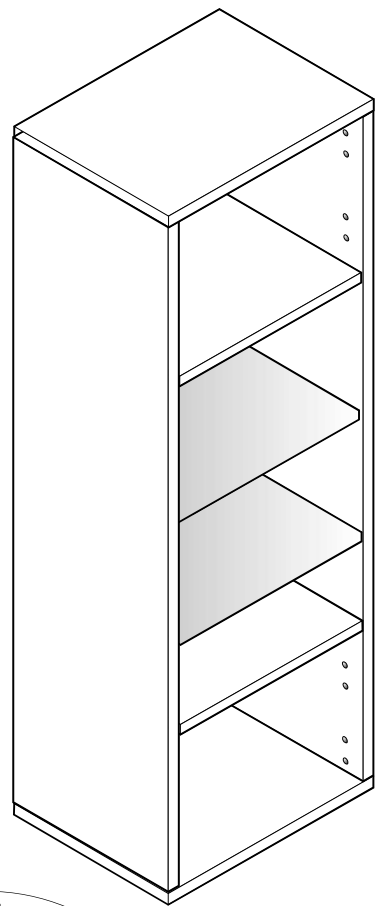
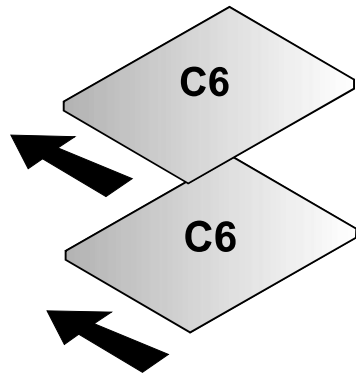
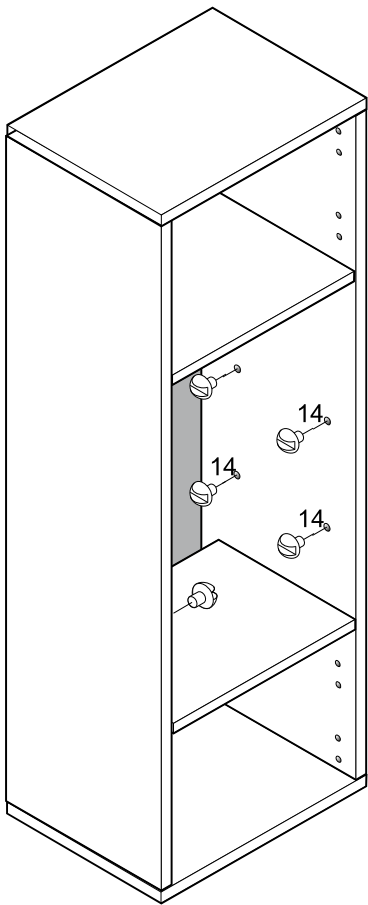


**Packet 2 / 3**  
**Packet 3 / 3**

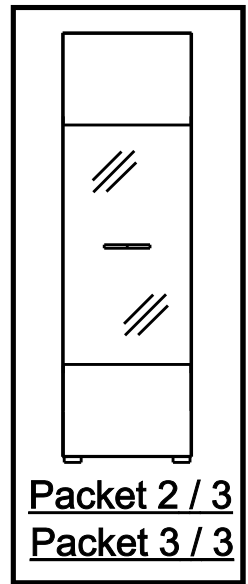
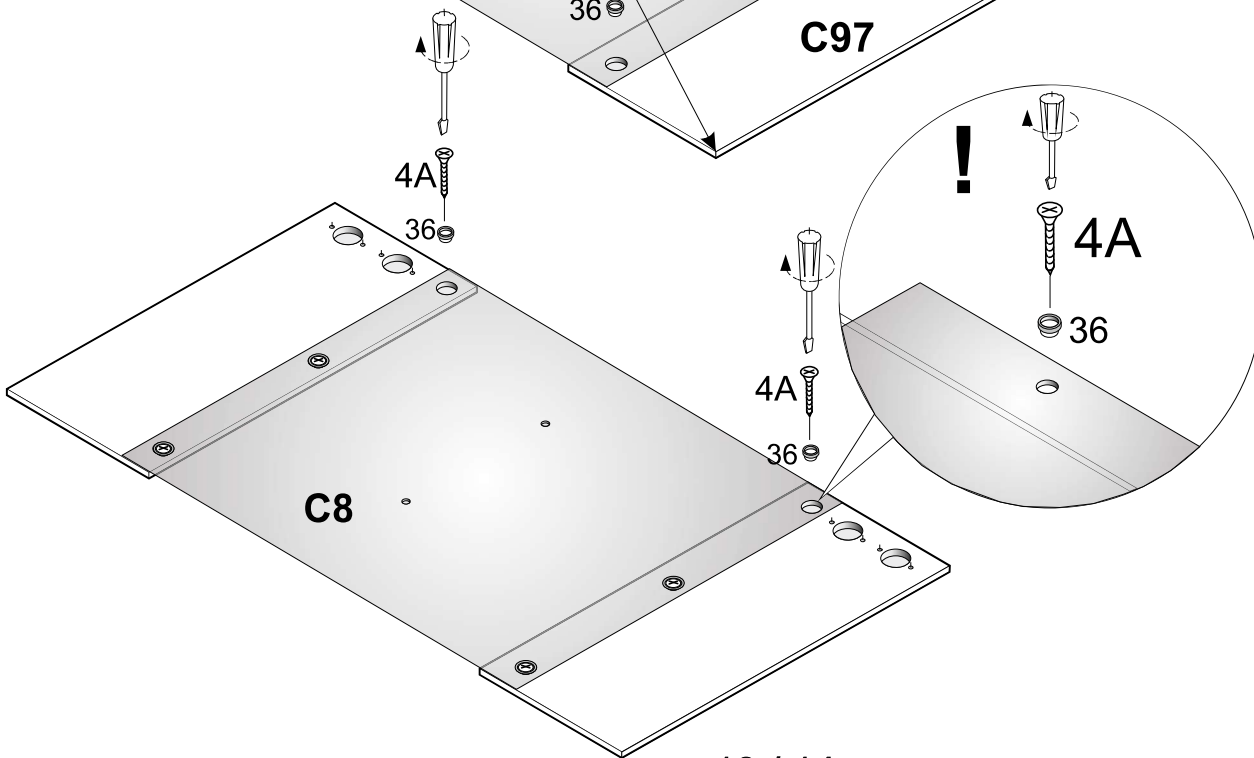
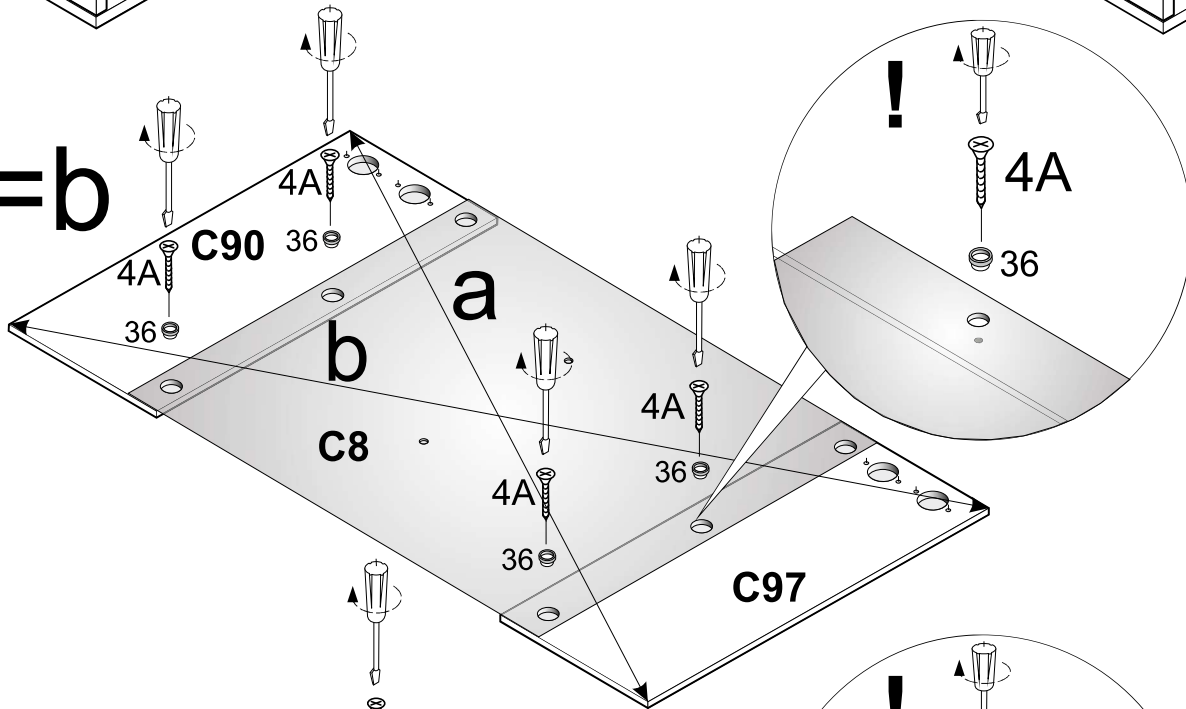


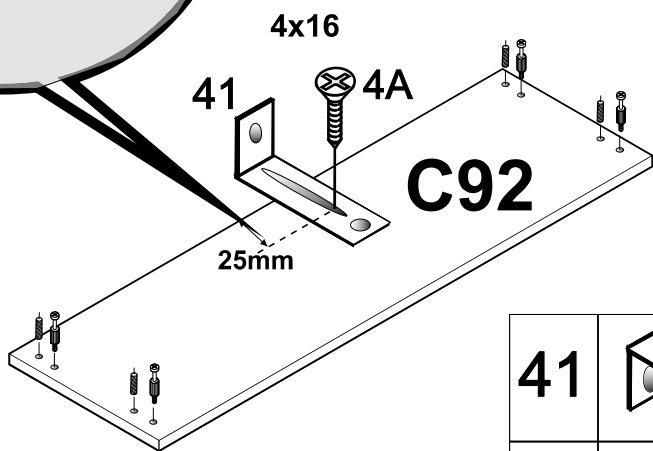
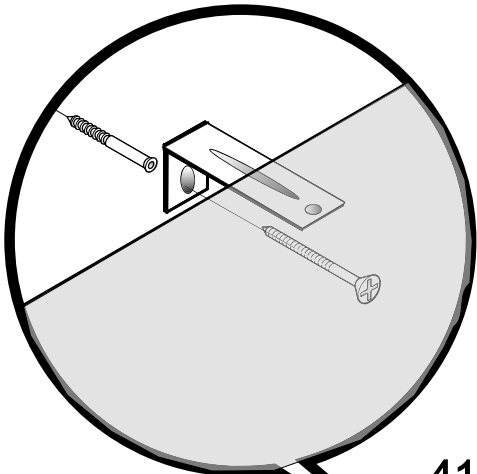
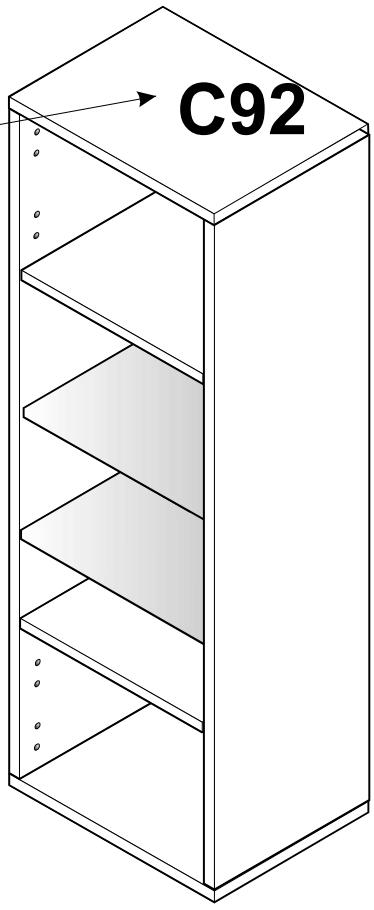
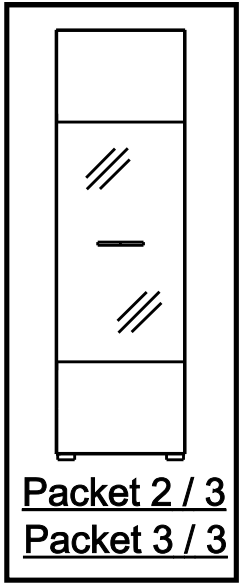






$a=b$





41		X 1
4A		X 1

