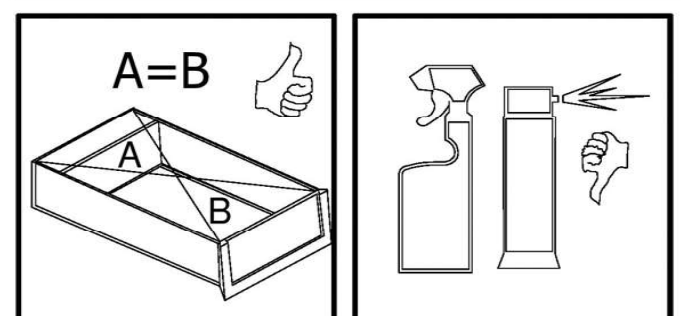
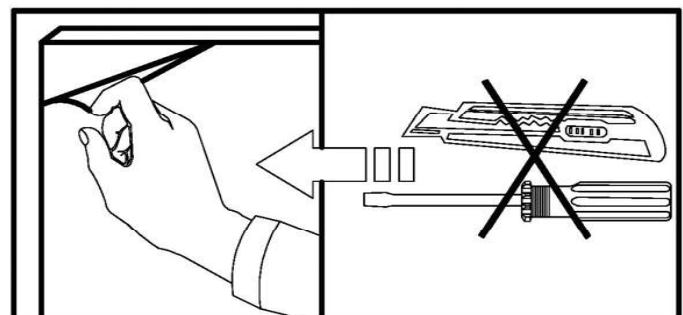
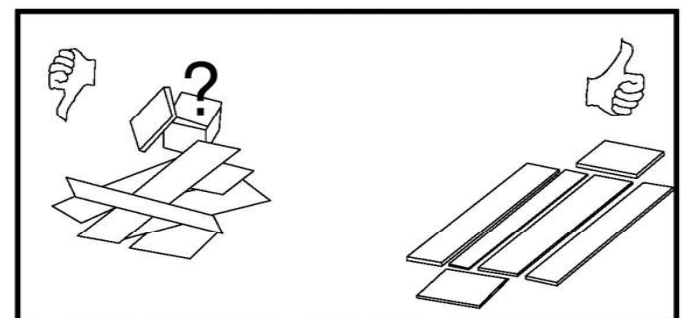
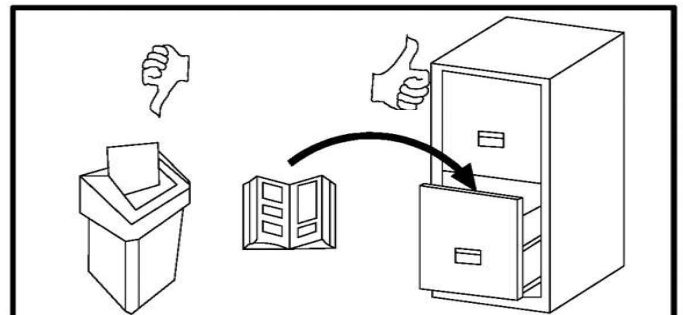
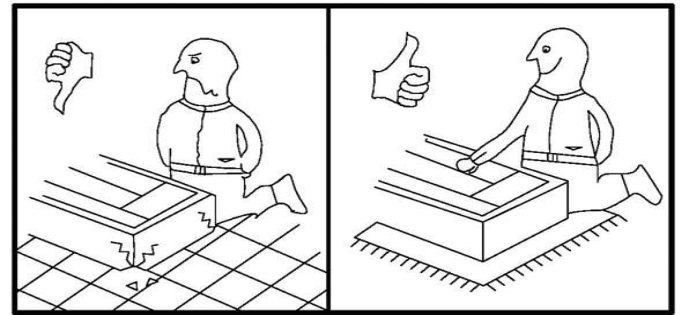
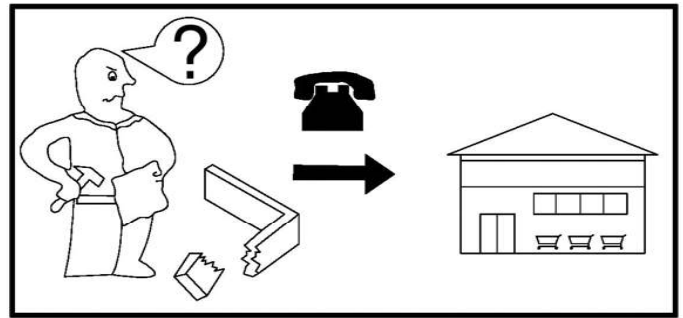
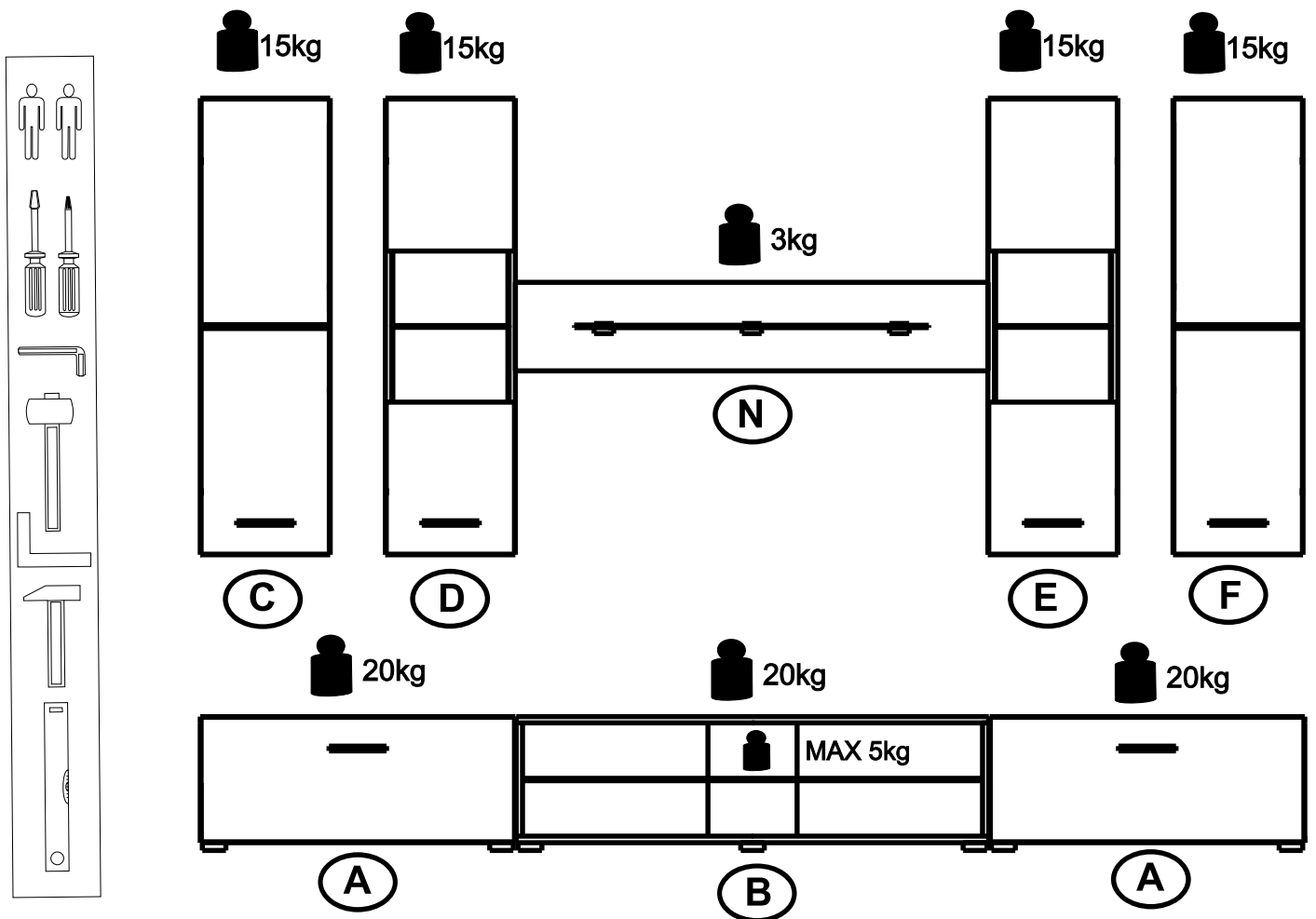




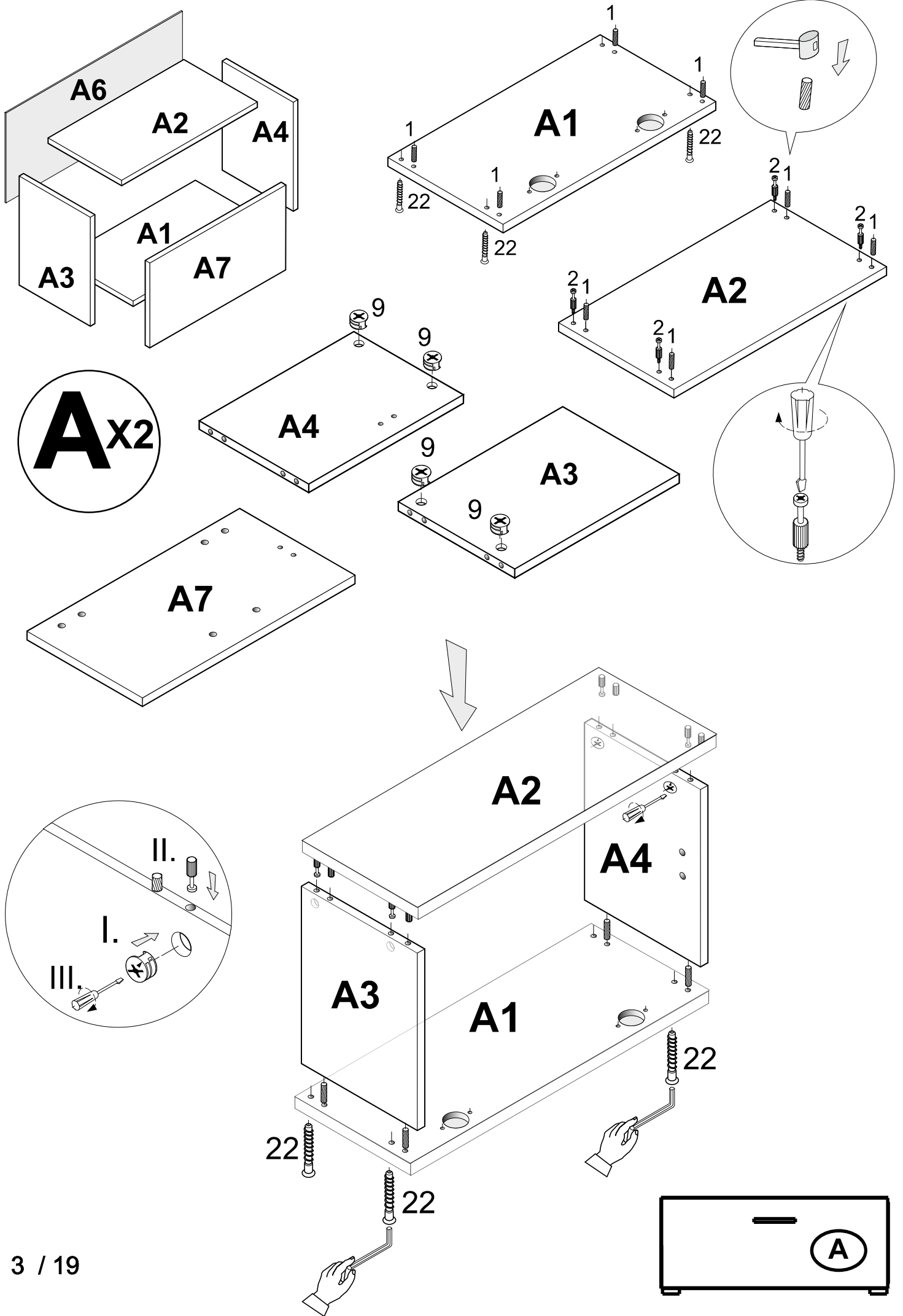
# PARLA

| No. | Dimensions |     | Quantity | Colli No. |
|-----|------------|-----|----------|-----------|
| A1  | 801        | 400 | 2        | 2 / 4     |
| A2  | 801        | 400 | 2        | 2 / 4     |
| A3  | 288        | 400 | 2        | 2 / 4     |
| A4  | 288        | 413 | 2        | 2 / 4     |
| A6  | 795        | 315 | 2        | 2 / 4     |
| A7  | 796        | 316 | 2        | 2 / 4     |
| B1  | 1201       | 400 | 1        | 1 / 4     |
| B2  | 1201       | 400 | 1        | 1 / 4     |
| B3  | 288        | 400 | 1        | 1 / 4     |
| B4  | 288        | 400 | 1        | 1 / 4     |
| B5  | 288        | 226 | 1        | 1 / 4     |
| B6  | 141        | 151 | 1        | 1 / 4     |
| B7  | 1195       | 315 | 1        | 1 / 4     |
| B8  | 1160       | 360 | 1        | 1 / 4     |
| N1  | 1200       | 225 | 1        | 1 / 4     |
| N2  | 900        | 175 | 1        | 1 / 4     |
| C1  | 297        | 300 | 4        | 3 / 4     |
| C2  | 290        | 280 | 2        | 3 / 4     |
| C3  | 1160       | 314 | 4        | 3 / 4     |
| C5  | 1154       | 307 | 2        | 3 / 4     |
| C6  | 297        | 280 | 4        | 3 / 4     |
| C7  | 573        | 326 | 1        | 3 / 4     |
| C8  | 573        | 326 | 1        | 3 / 4     |
| F7  | 573        | 326 | 1        | 3 / 4     |
| F8  | 573        | 326 | 1        | 3 / 4     |
| C9  | 294        | 90  | 2        | 4 / 4     |
| C1  | 297        | 300 | 4        | 4 / 4     |
| D3  | 1160       | 314 | 4        | 4 / 4     |
| C6  | 297        | 280 | 4        | 4 / 4     |
| C2  | 290        | 280 | 2        | 4 / 4     |
| D7  | 386        | 326 | 1        | 4 / 4     |
| D8  | 386        | 326 | 1        | 4 / 4     |
| E7  | 386        | 326 | 1        | 4 / 4     |
| E8  | 386        | 326 | 1        | 4 / 4     |
| D9  | 464        | 294 | 2        | 4 / 4     |
| D5  | 1154       | 307 | 2        | 4 / 4     |

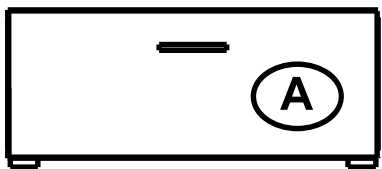
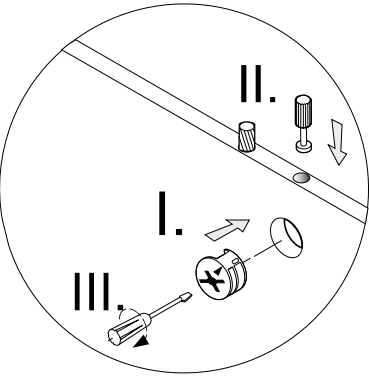


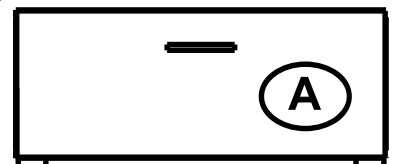
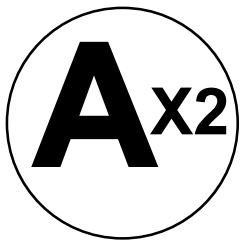
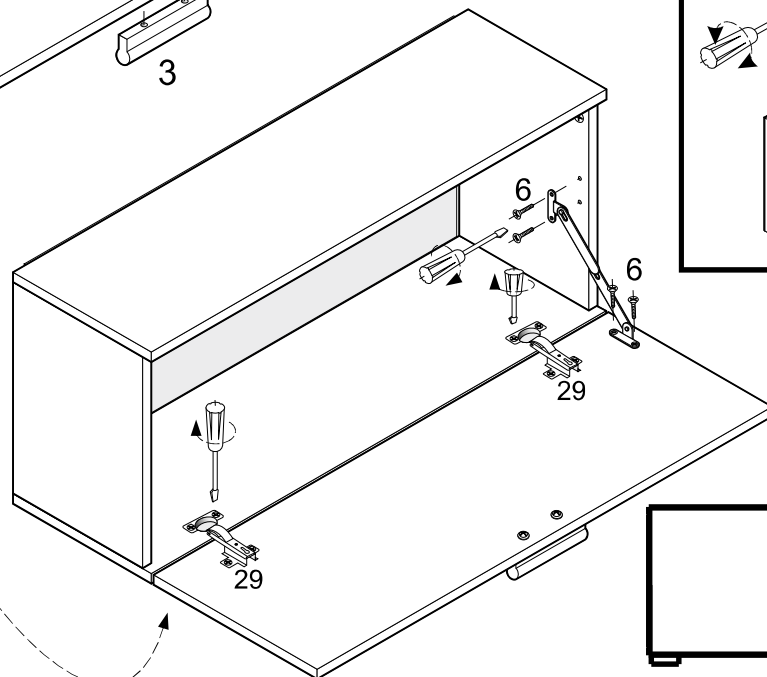
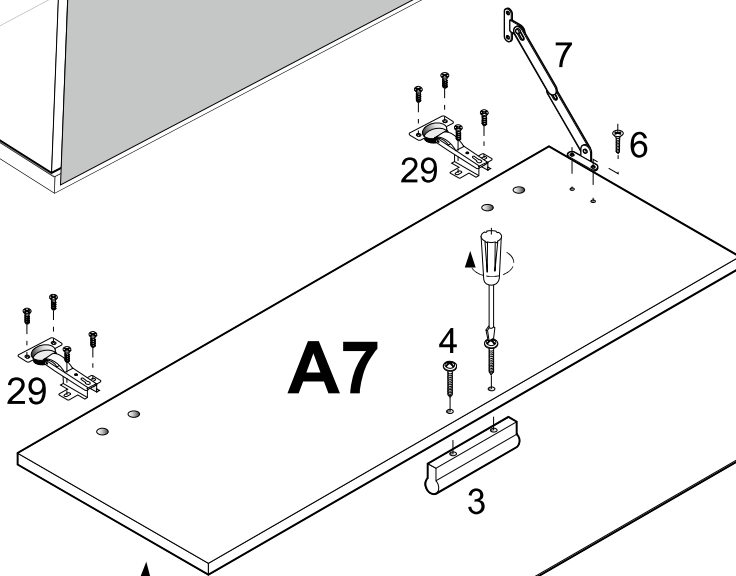
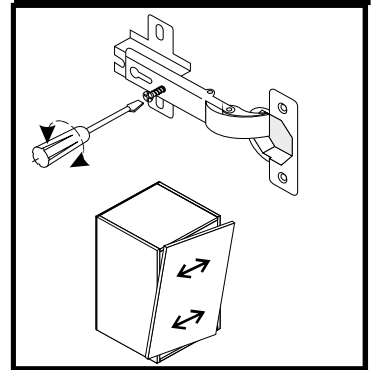
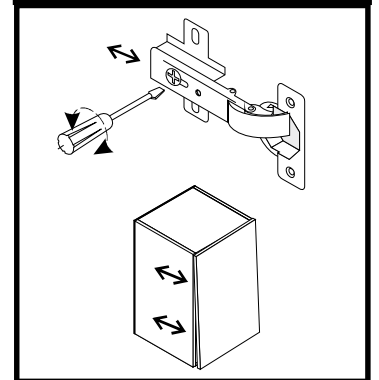
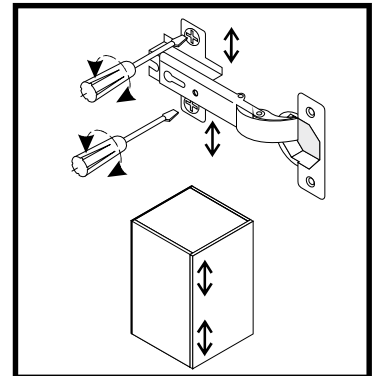
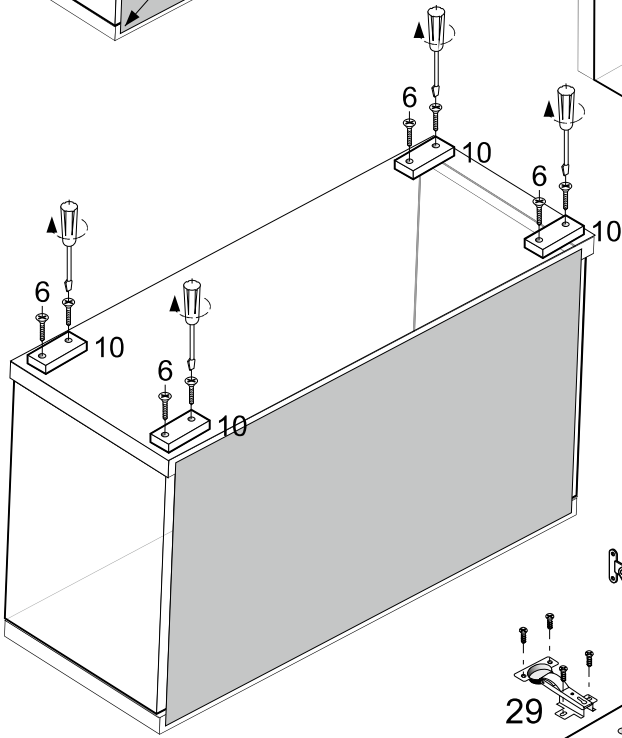
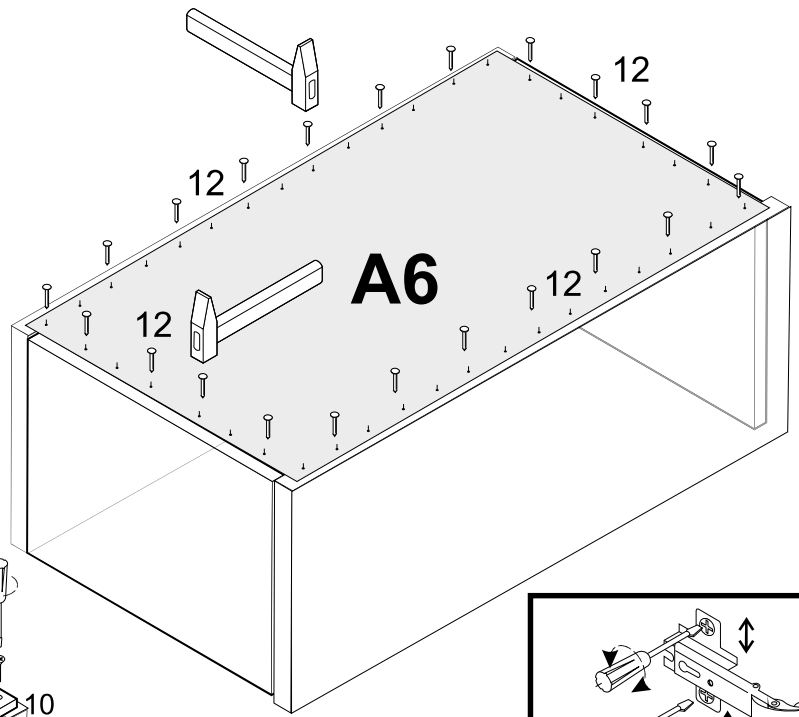
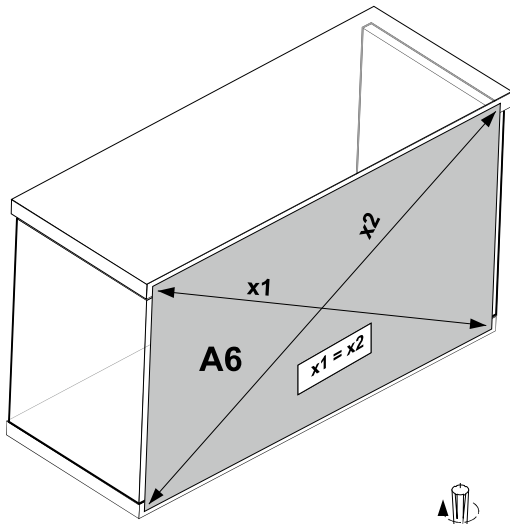


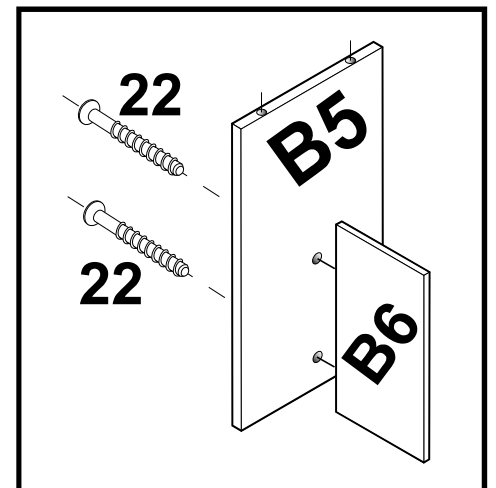
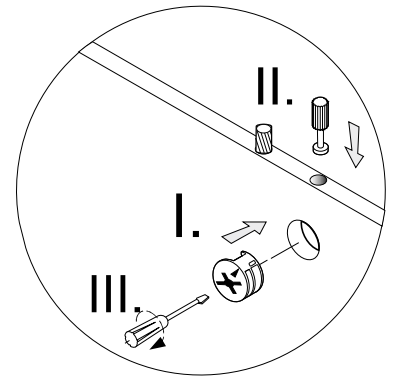
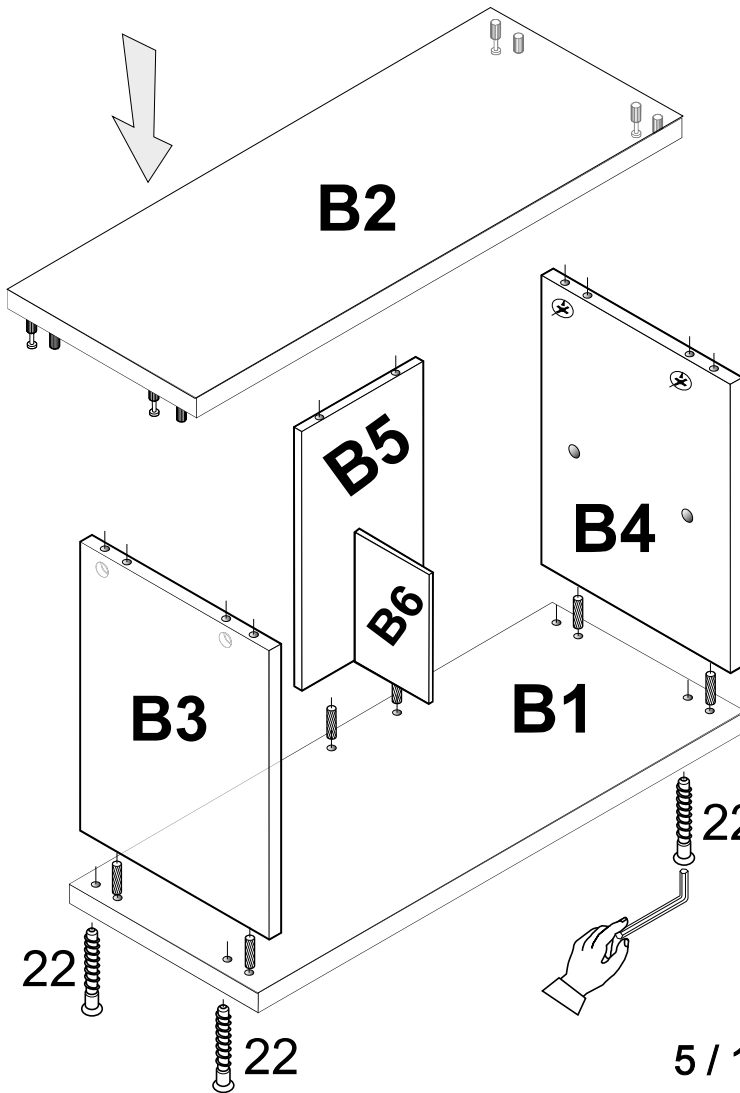
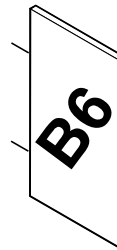
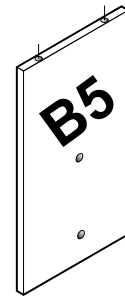
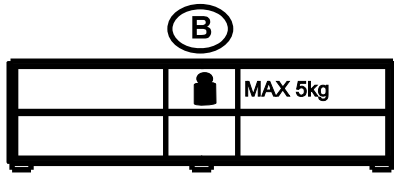
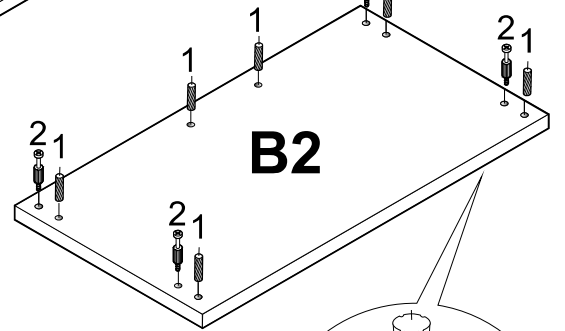
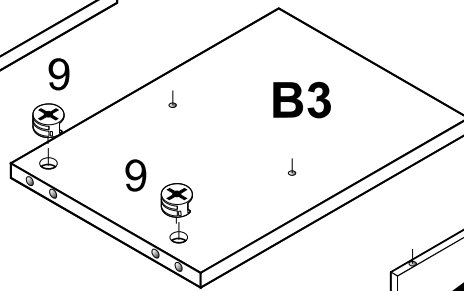
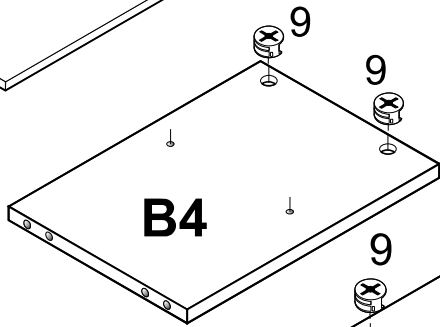
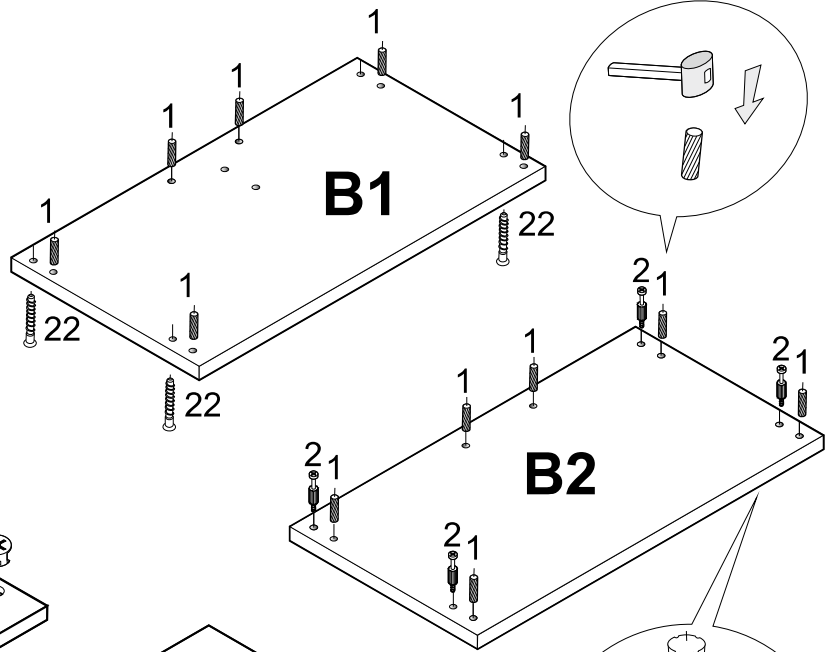
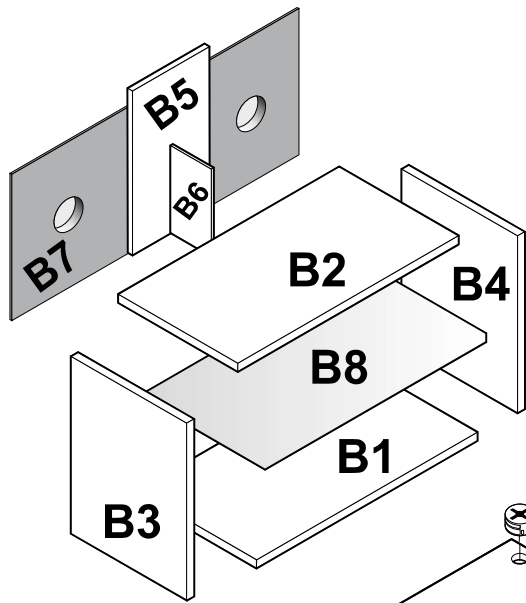
|    |                  |             |                  |             |                       |              |                    |            |
|----|------------------|-------------|------------------|-------------|-----------------------|--------------|--------------------|------------|
| 1  | 8x35             | <u>X 60</u> | 10               | <u>X 13</u> | 12                    | <u>X 125</u> | 17                 | <u>X 4</u> |
| 2  | <u>X 44</u>      | 14          | <u>X 20</u>      | 13          | <u>X 32</u>           | 18           | <u>X 4</u>         |            |
| 3  | <u>X 6</u>       | 36          | <u>X 24</u>      | 5           | <u>X 16</u>           | 21           | 3.5x30 <u>X 16</u> |            |
| 29 | <u>X 4</u>       | 9           | <u>X 44</u>      | 22          | 7x50 <u>X 14</u>      | 70           | <u>X 3</u>         |            |
| 80 | <u>X 10</u>      | 9A          | <u>X 44</u>      | 22A         | <u>X 14</u>           | 7            | <u>X 2</u>         |            |
|    |                  | 26          | <u>X 1</u>       | 30          | LED LIGHTS <u>X 1</u> |              |                    |            |
| 4  | 4x30 <u>X 12</u> | 6           | 5x11 <u>X 80</u> | 72          | <u>X 2</u>            |              |                    |            |
| 4A | 4x16 <u>X 30</u> | 39          | 3x20 <u>X 32</u> | 38          | <u>X 32</u>           | 11           | 3.5x13 <u>X 6</u>  |            |

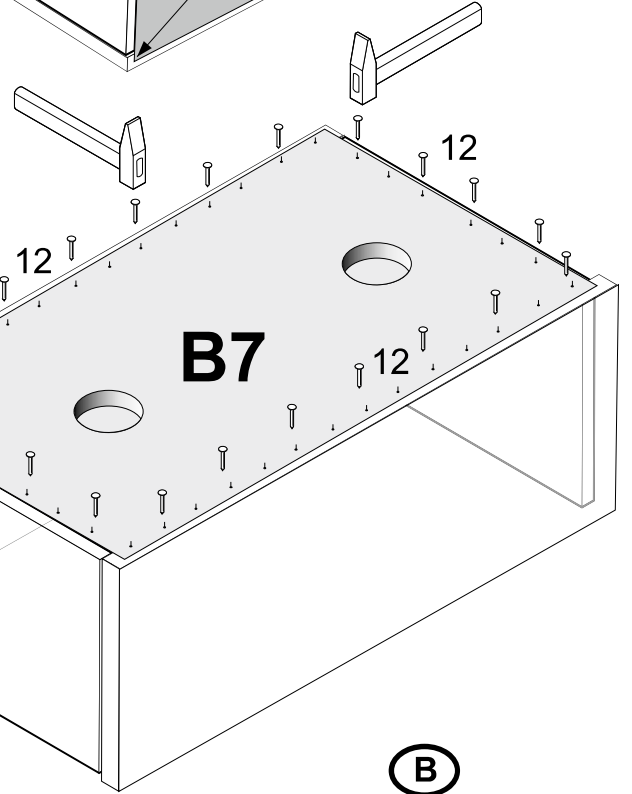
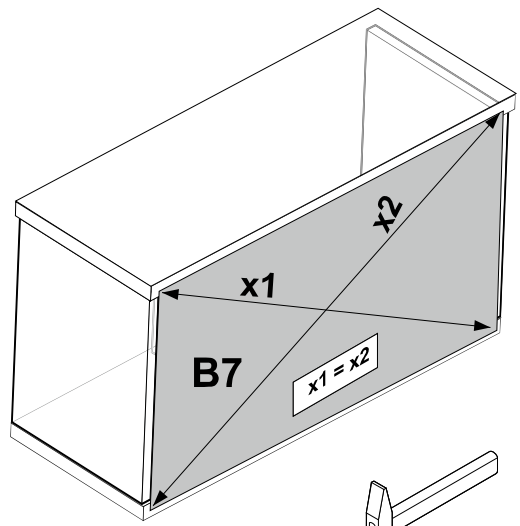
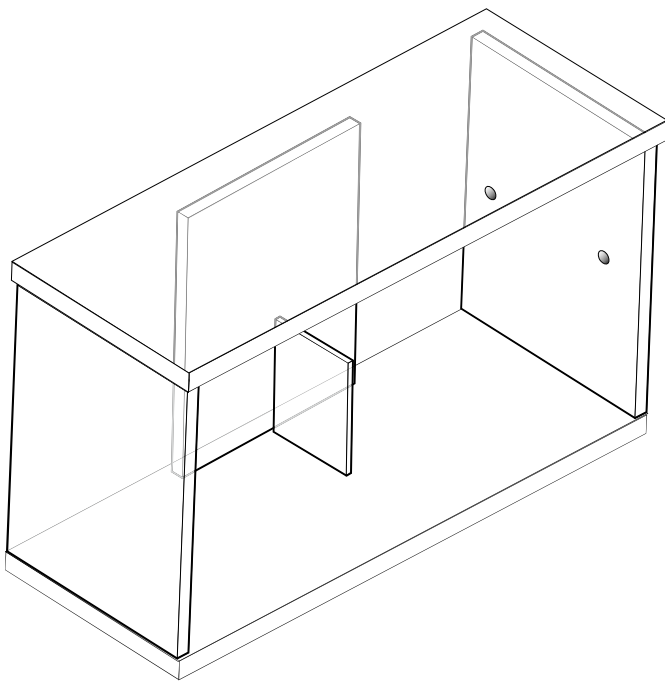


**A**<sup>x2</sup>

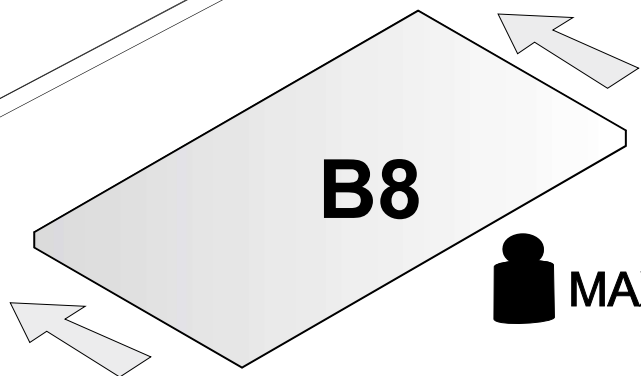
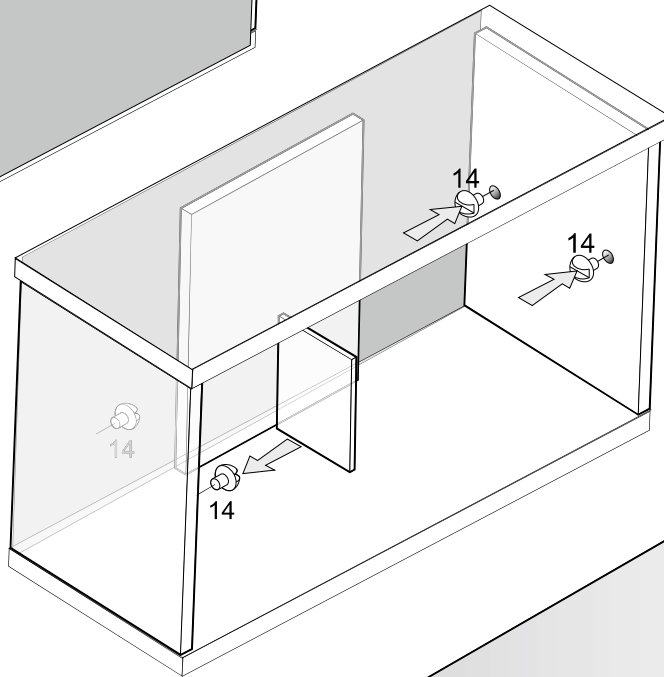
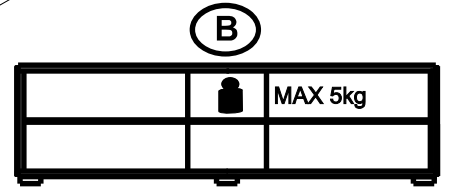
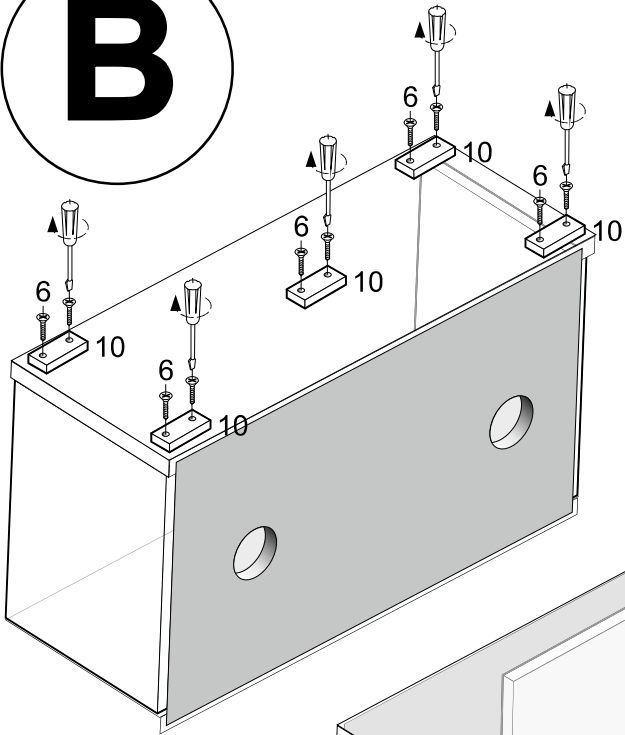


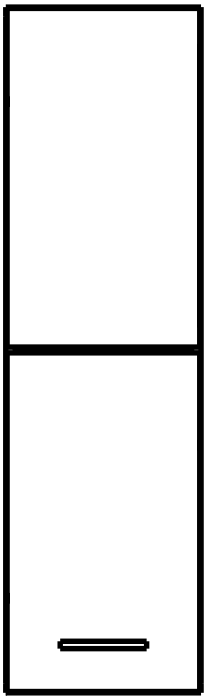






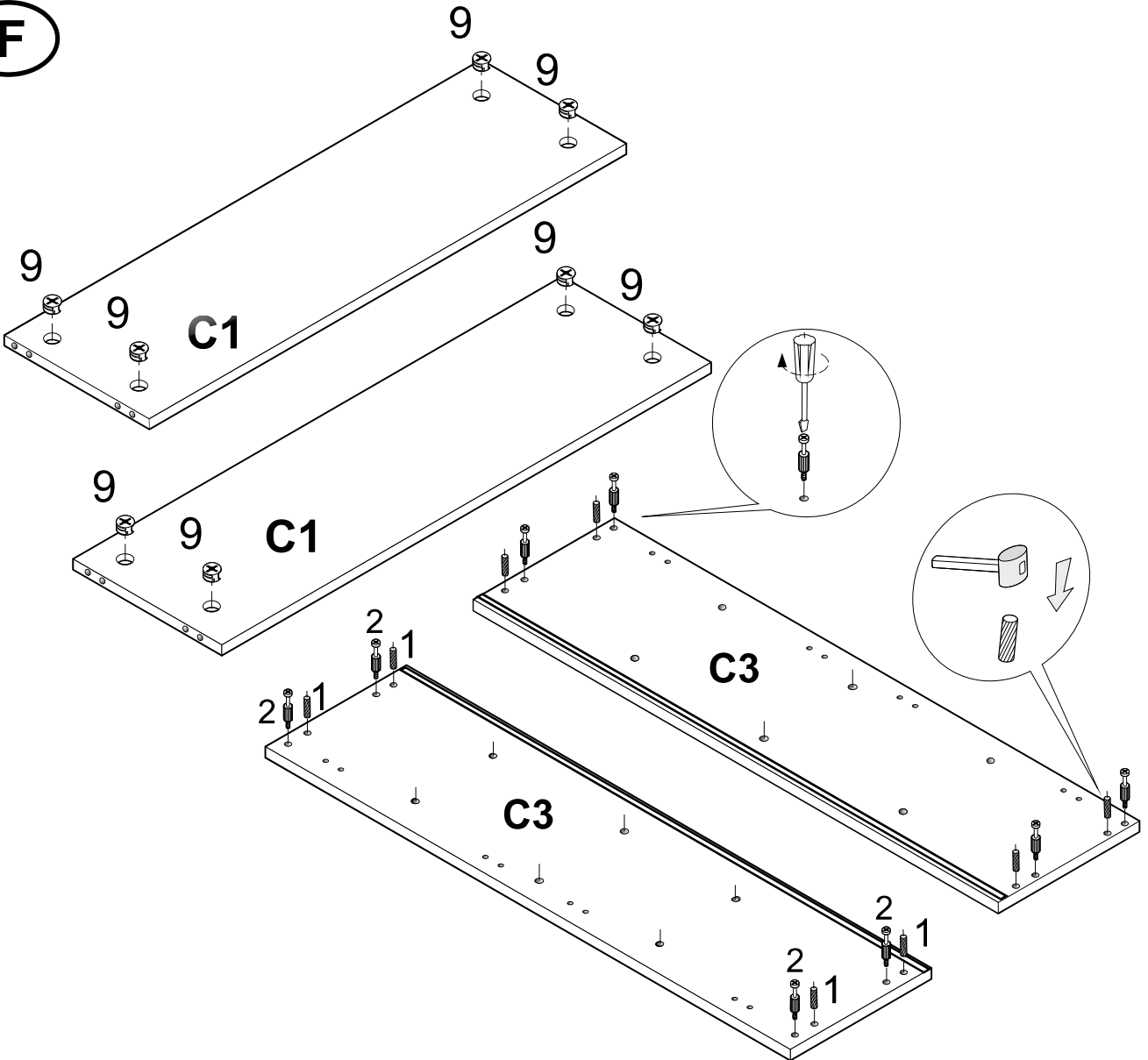
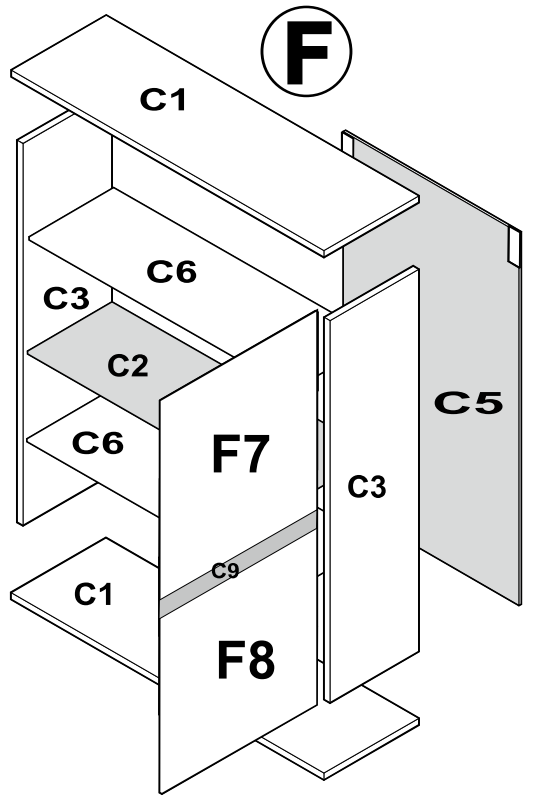
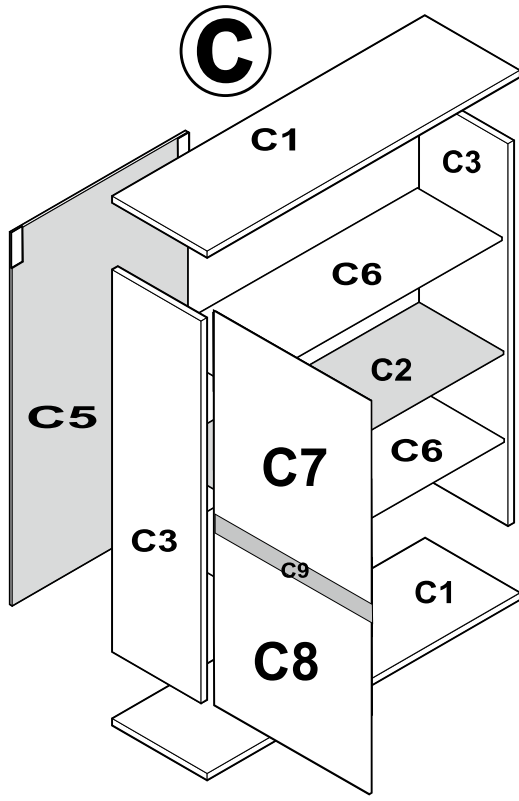
**B**





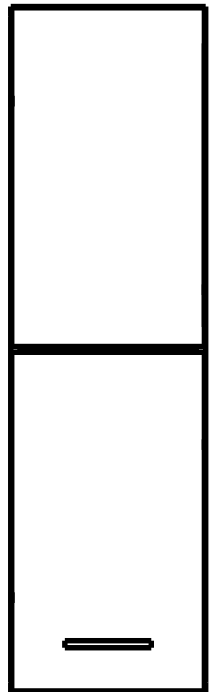
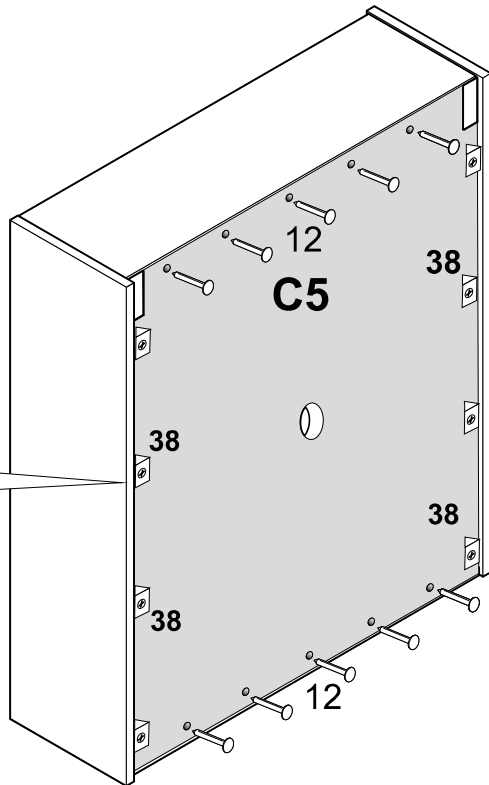
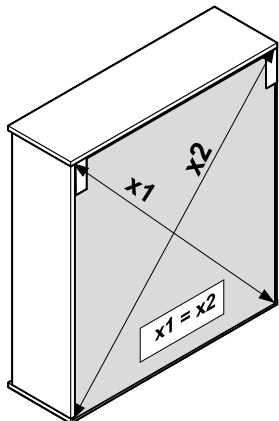
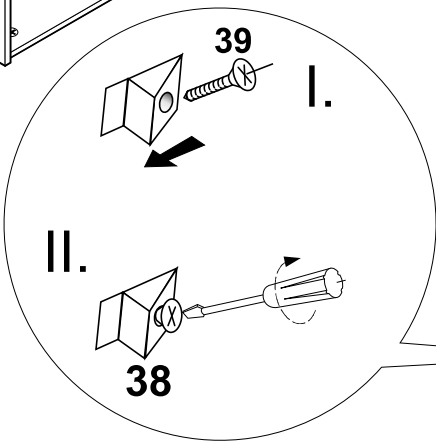
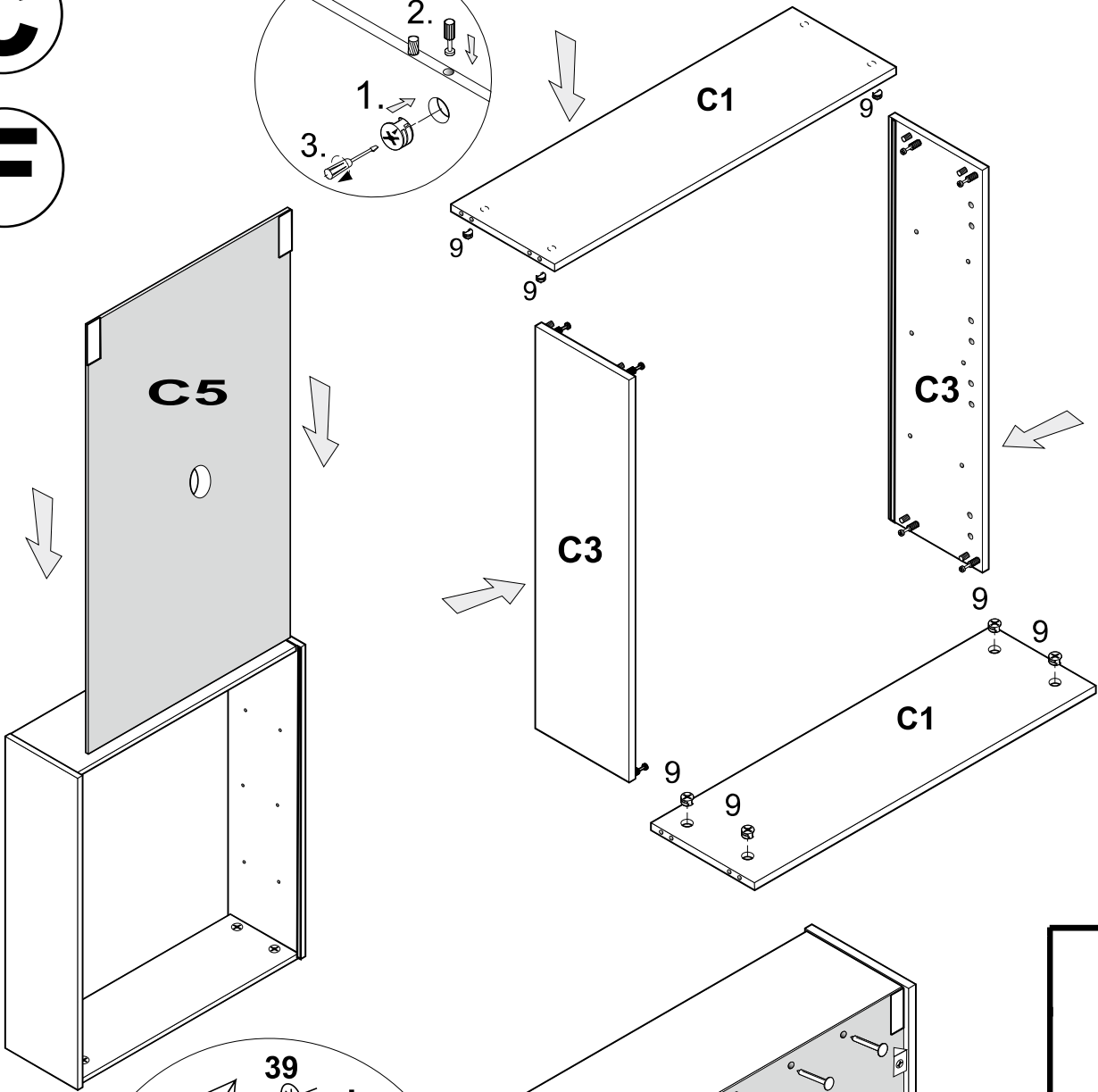
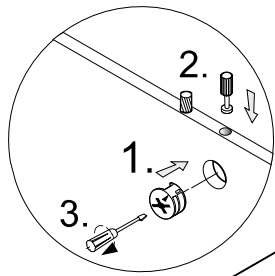
**C**

**F**



**C**

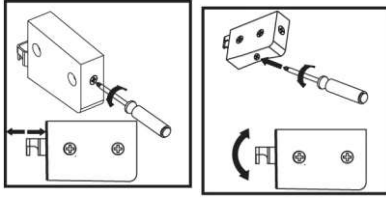
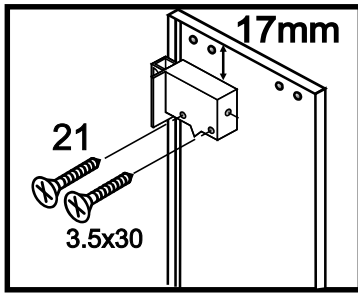
**F**



**C**

**F**

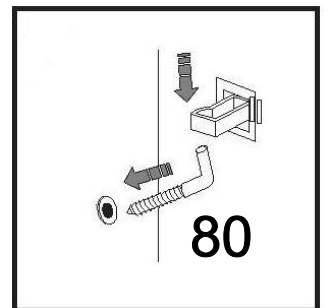
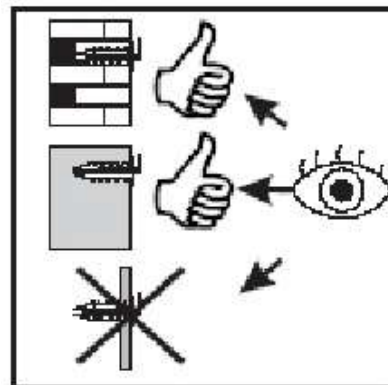
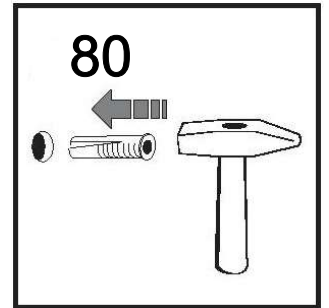
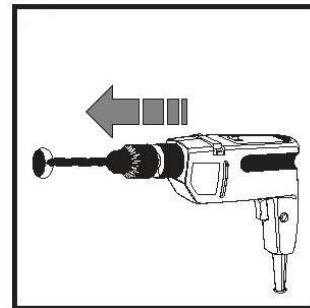
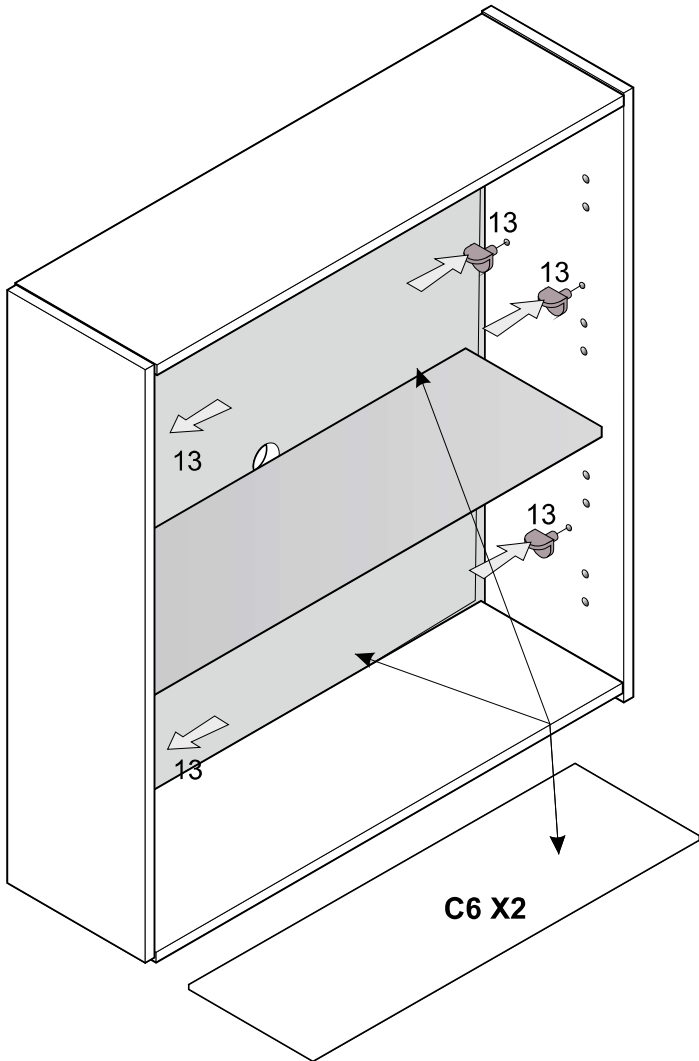
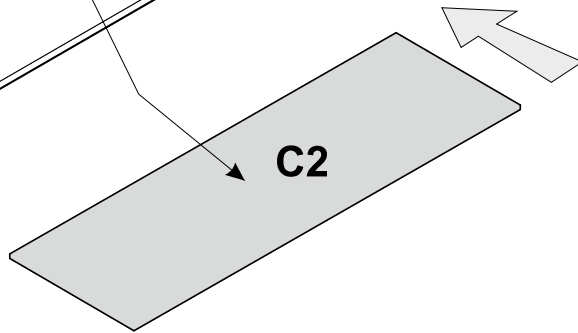
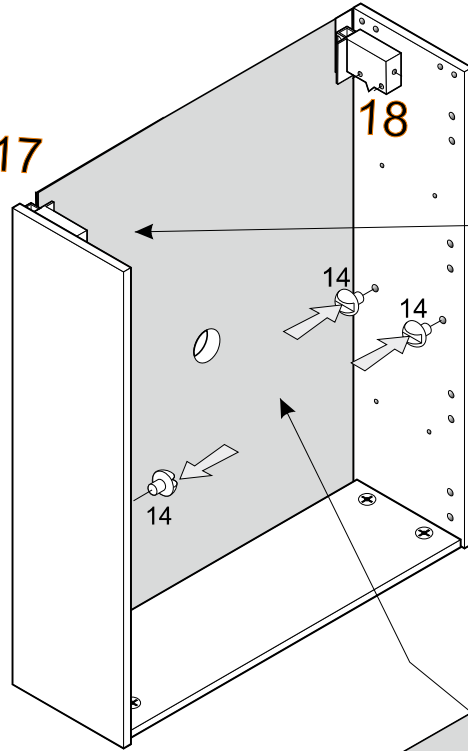


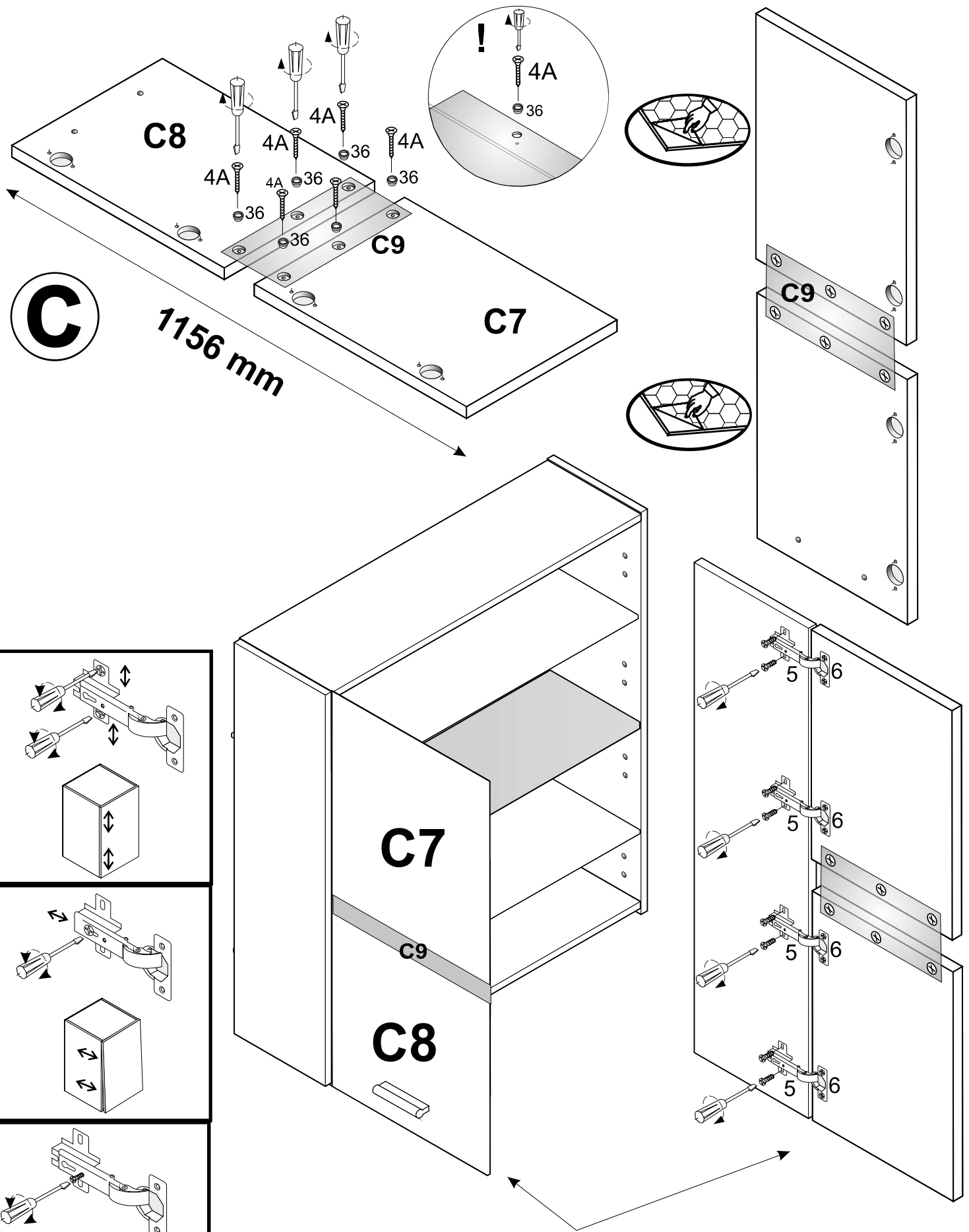


**C**

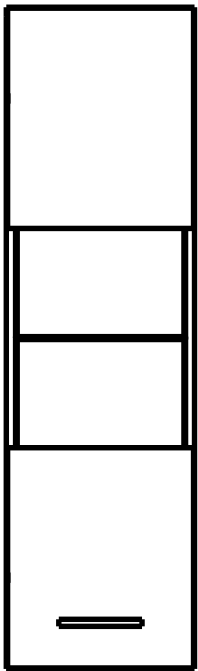
**F**

17

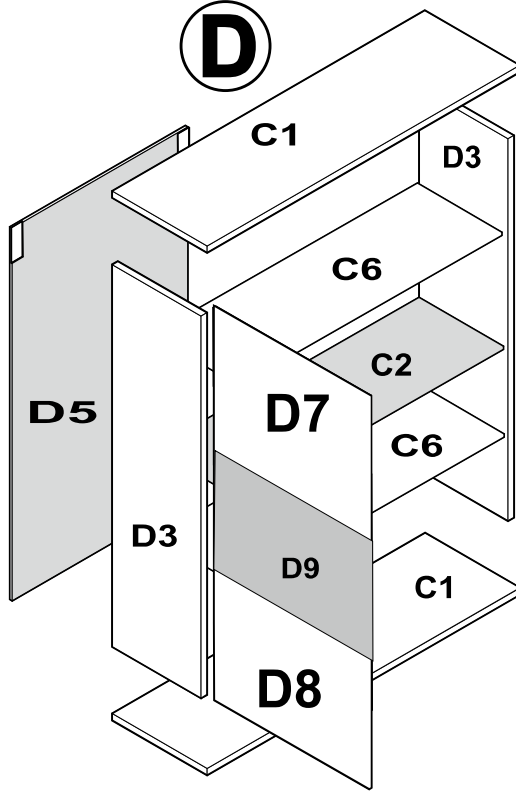




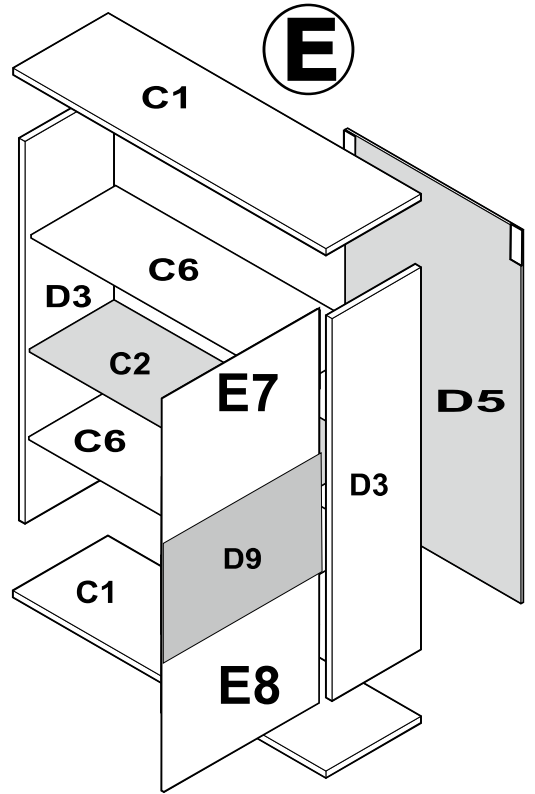




**D**

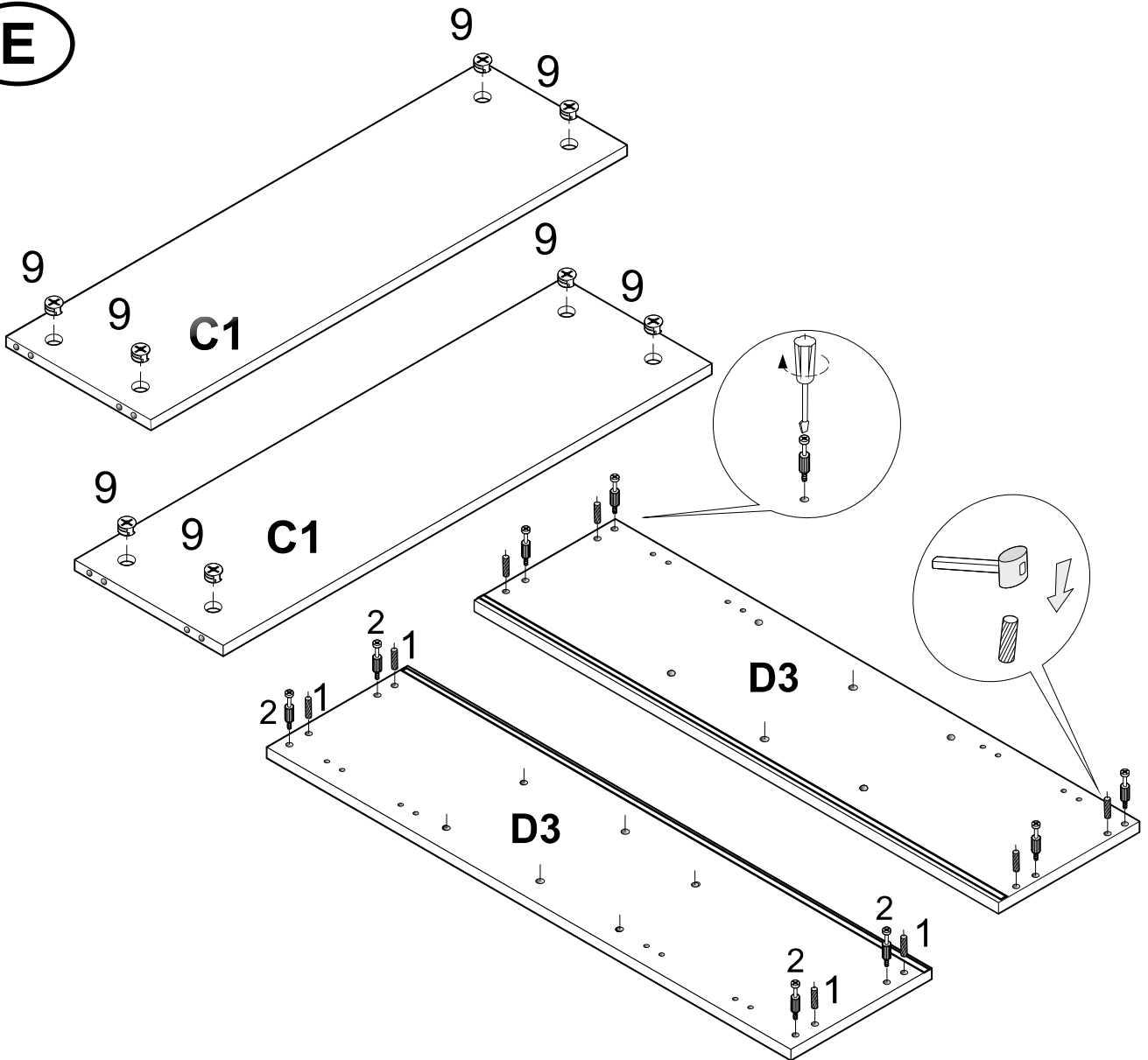


**E**



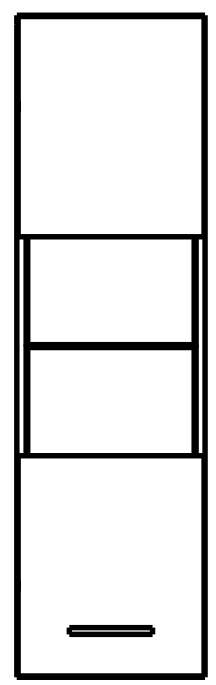
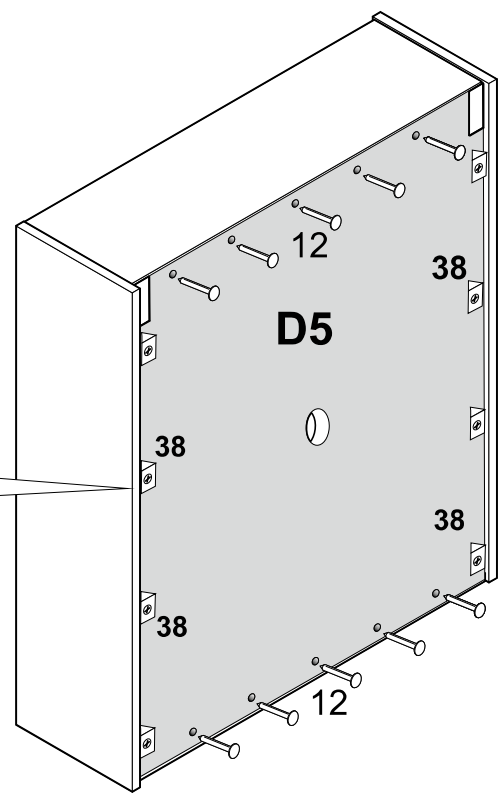
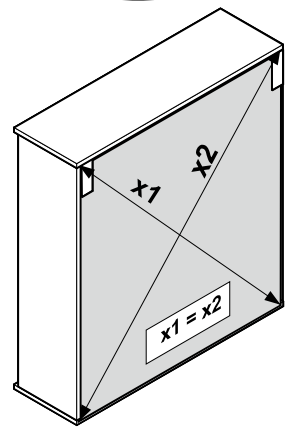
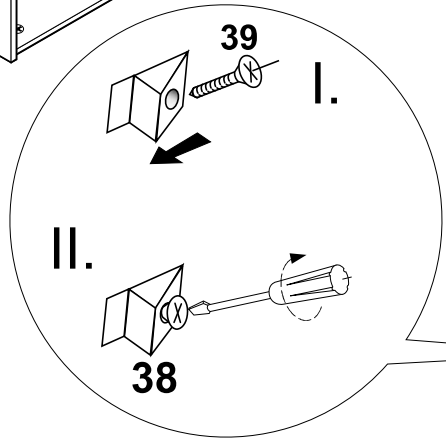
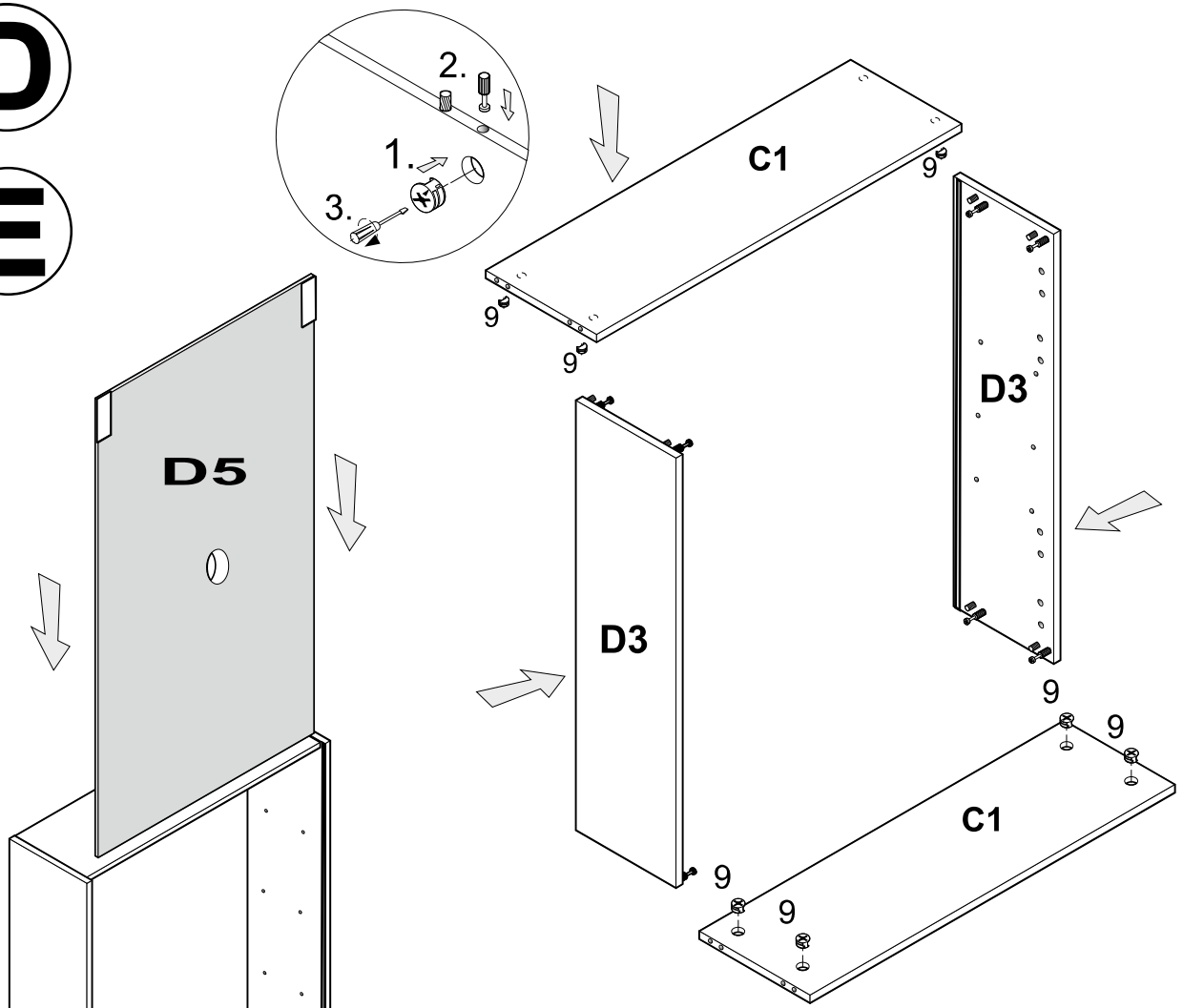
**D**

**E**



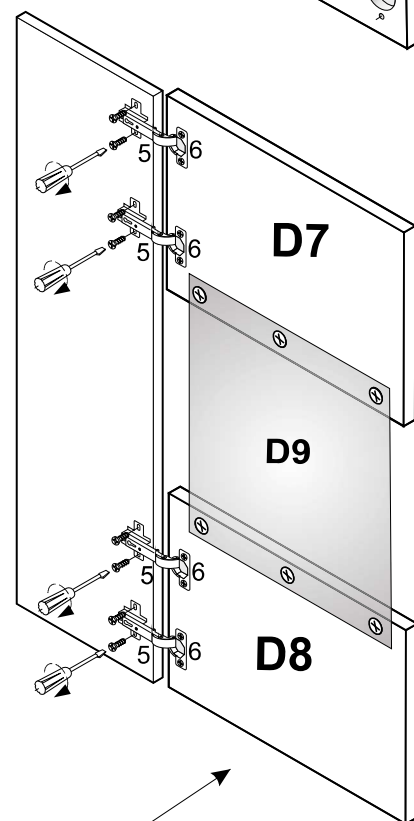
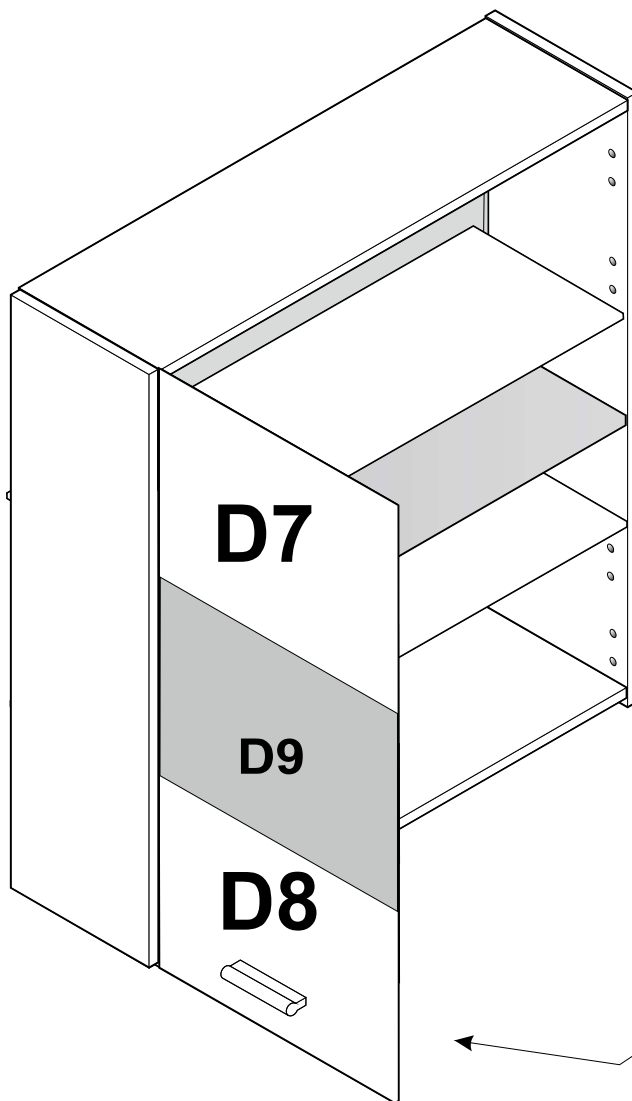
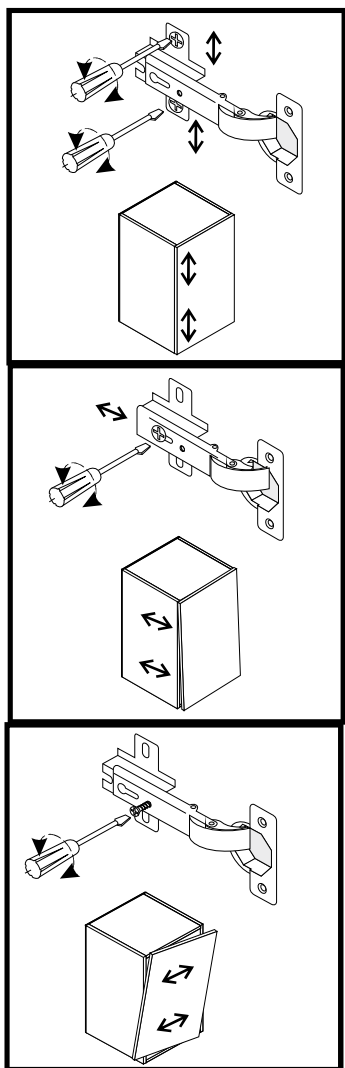
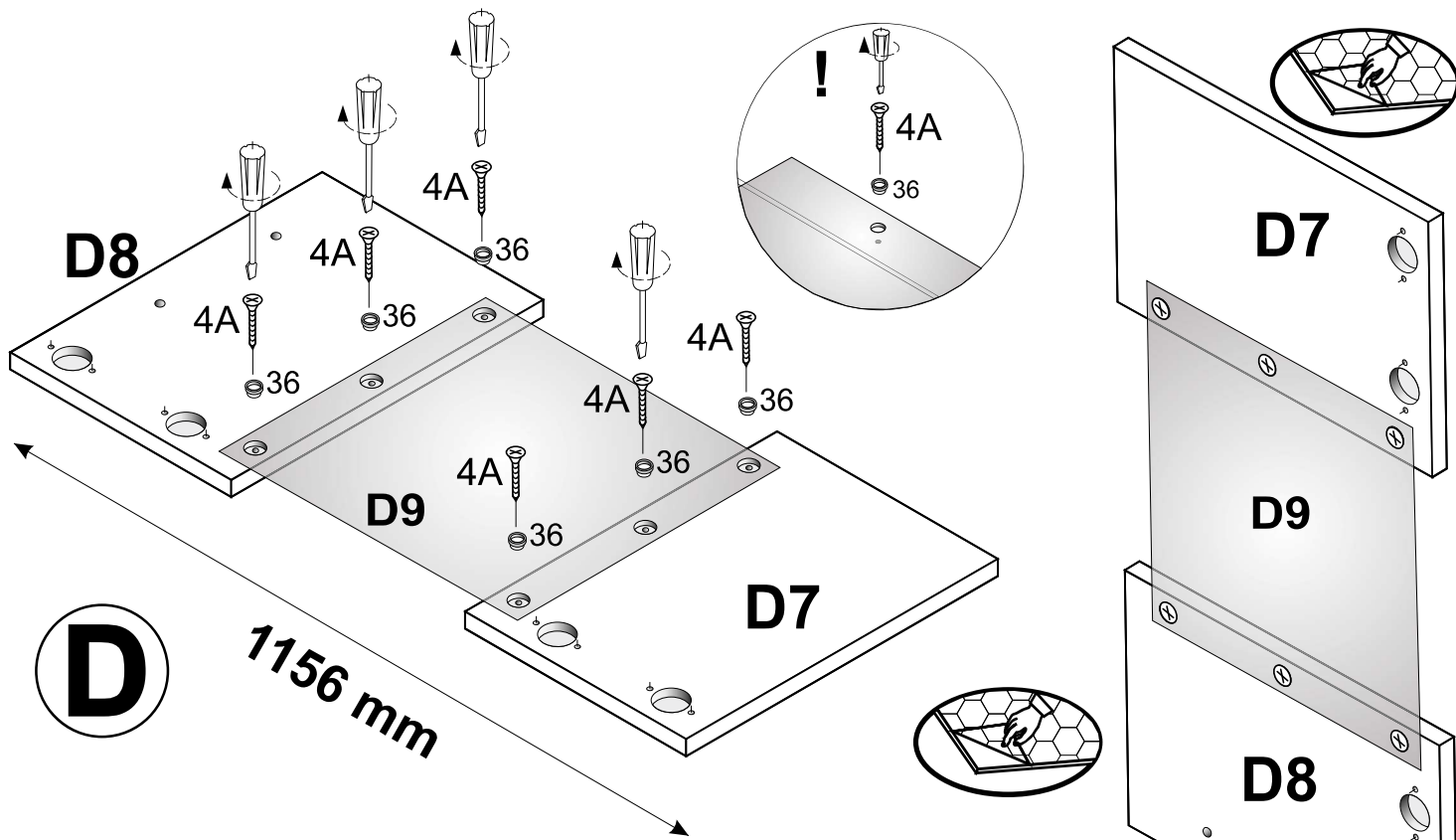
**D**

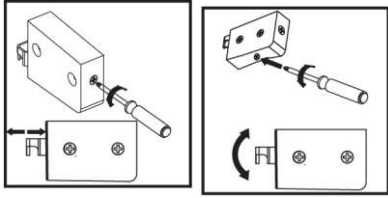
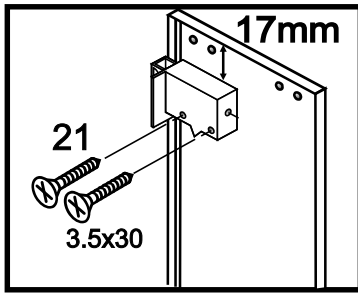
**E**



**D**

**E**

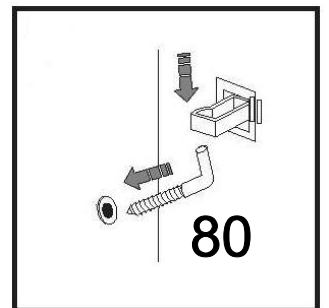
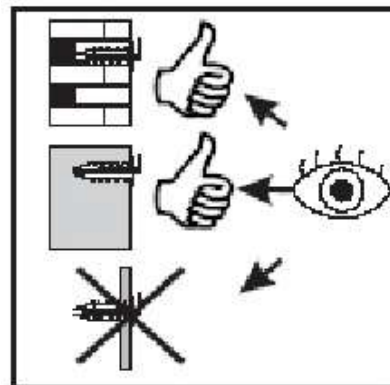
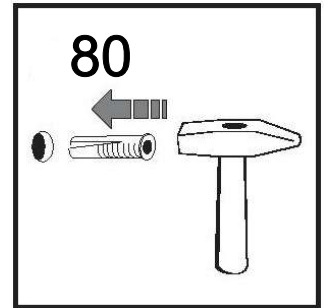
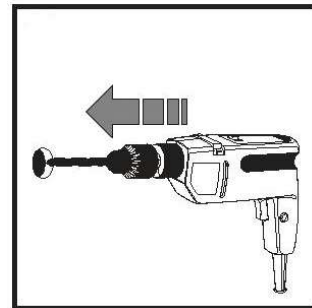
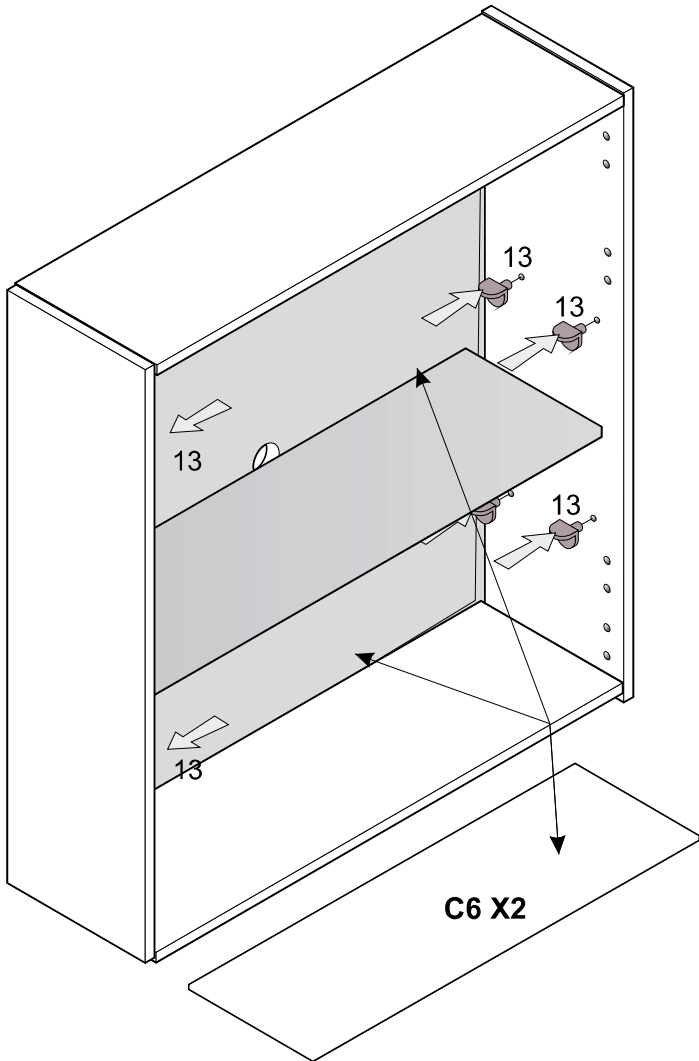
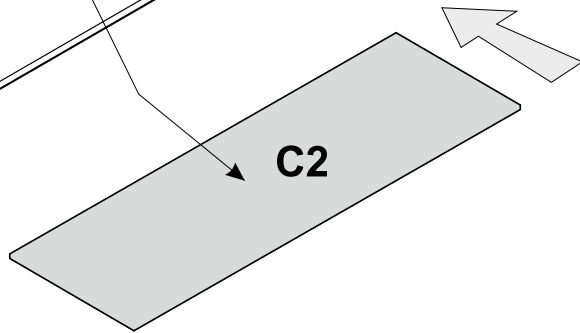
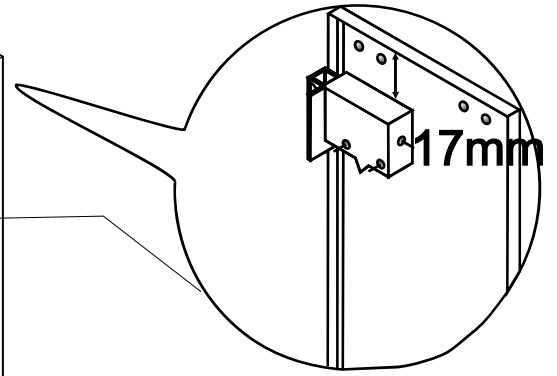
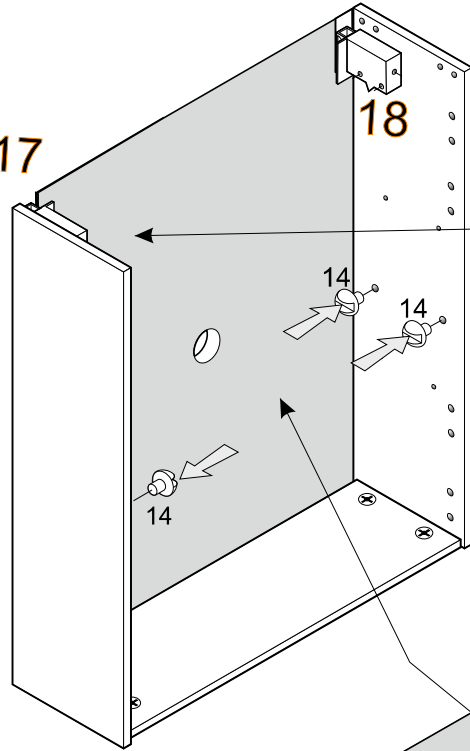


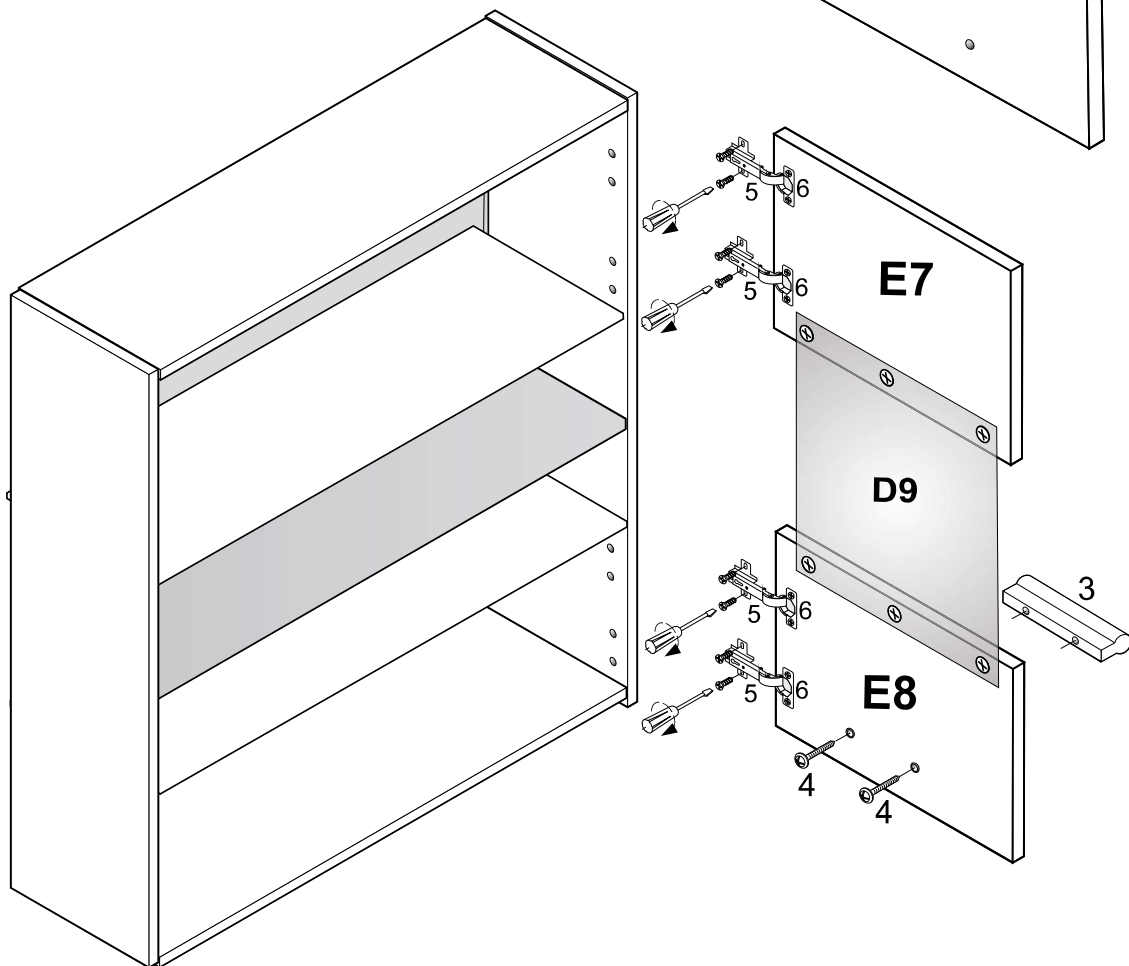
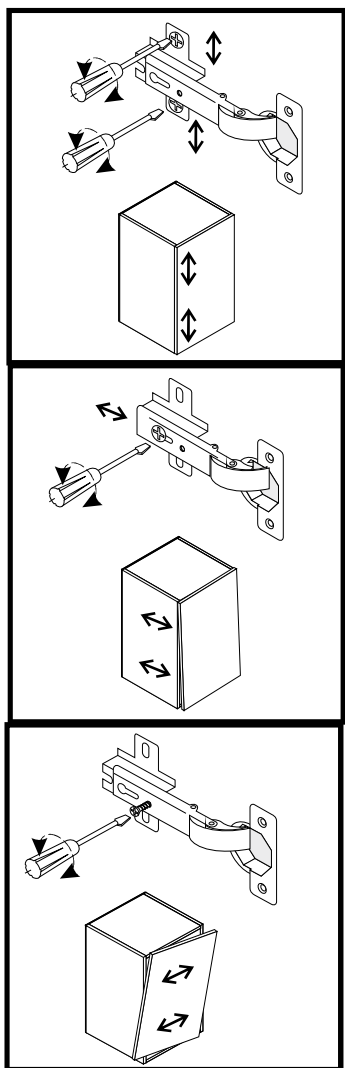
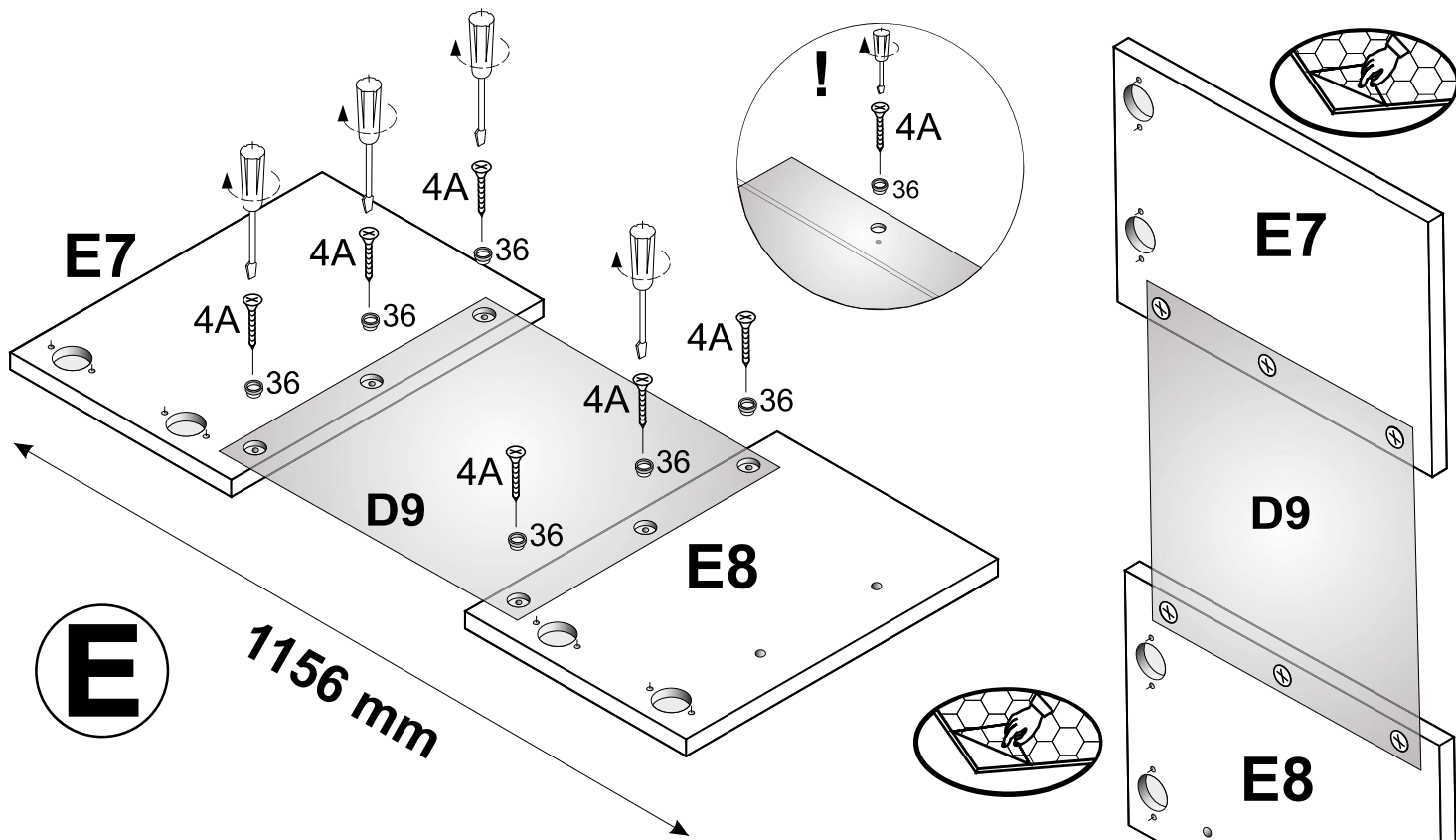


**D**

**E**

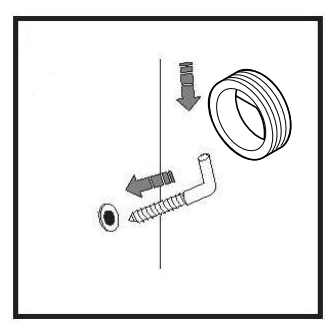
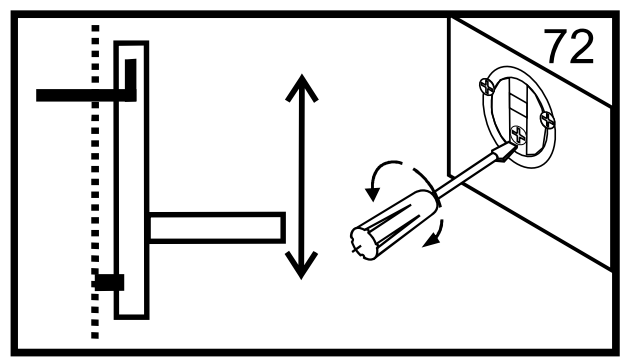
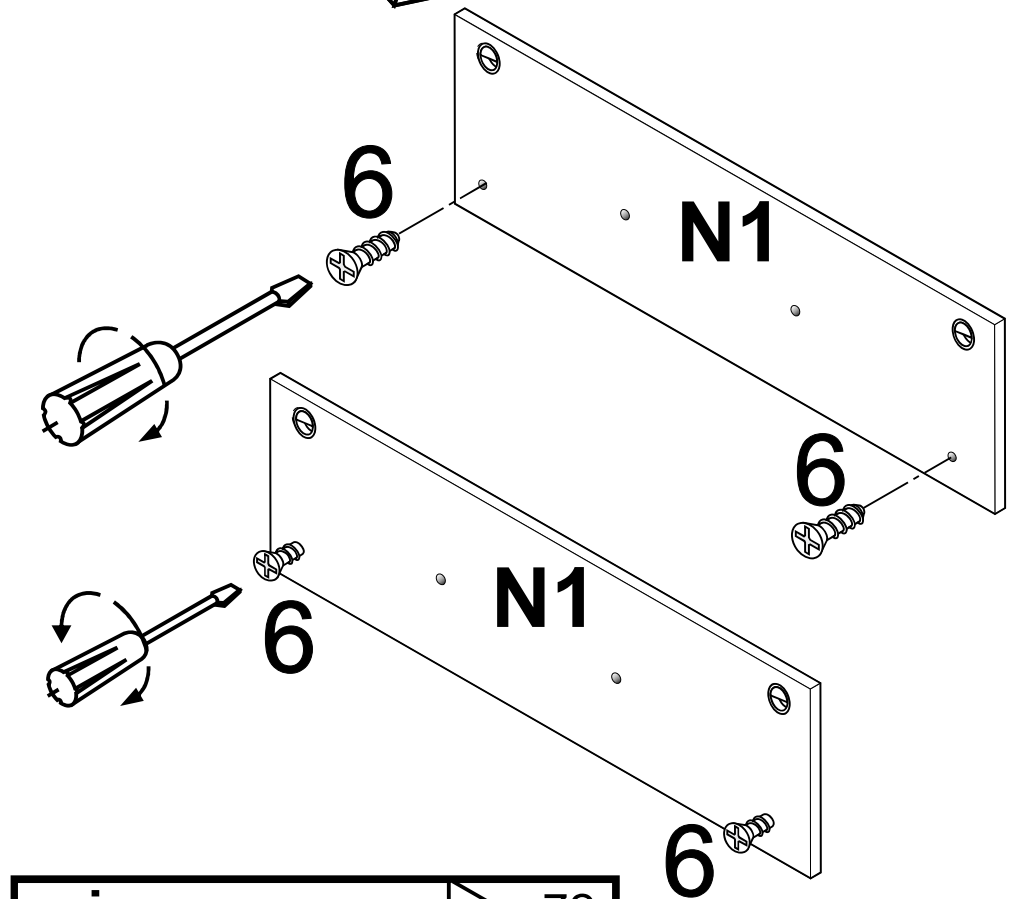
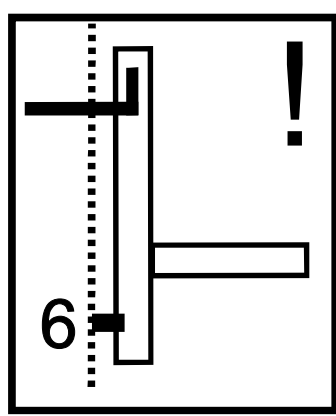
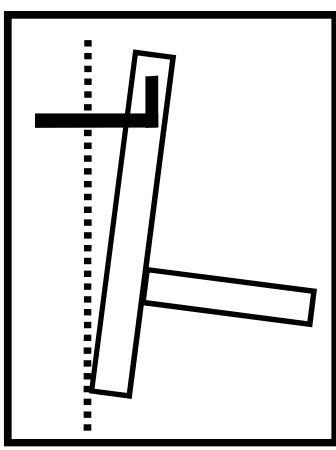
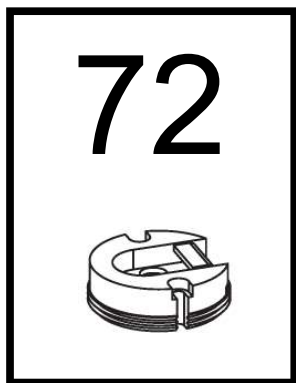
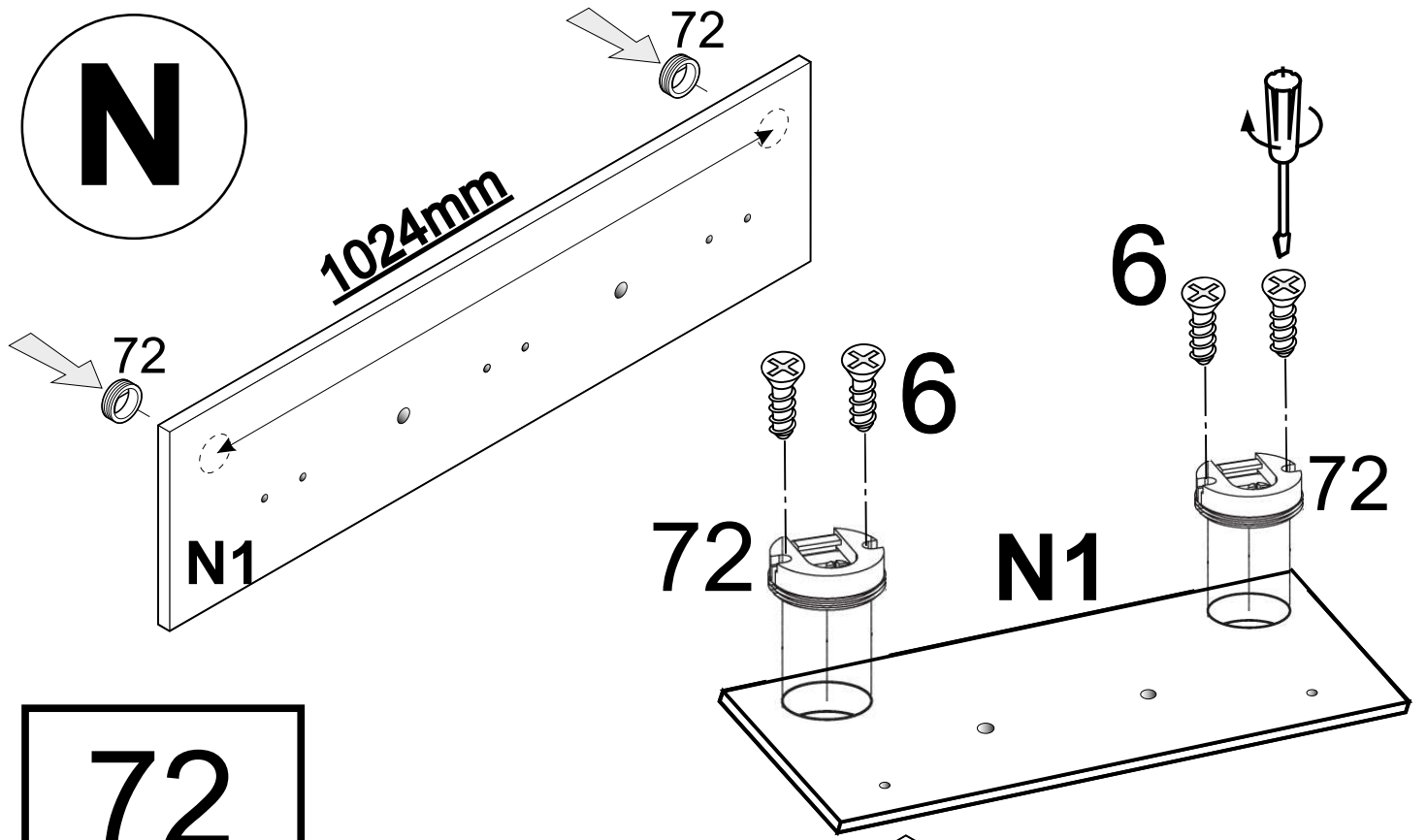
17



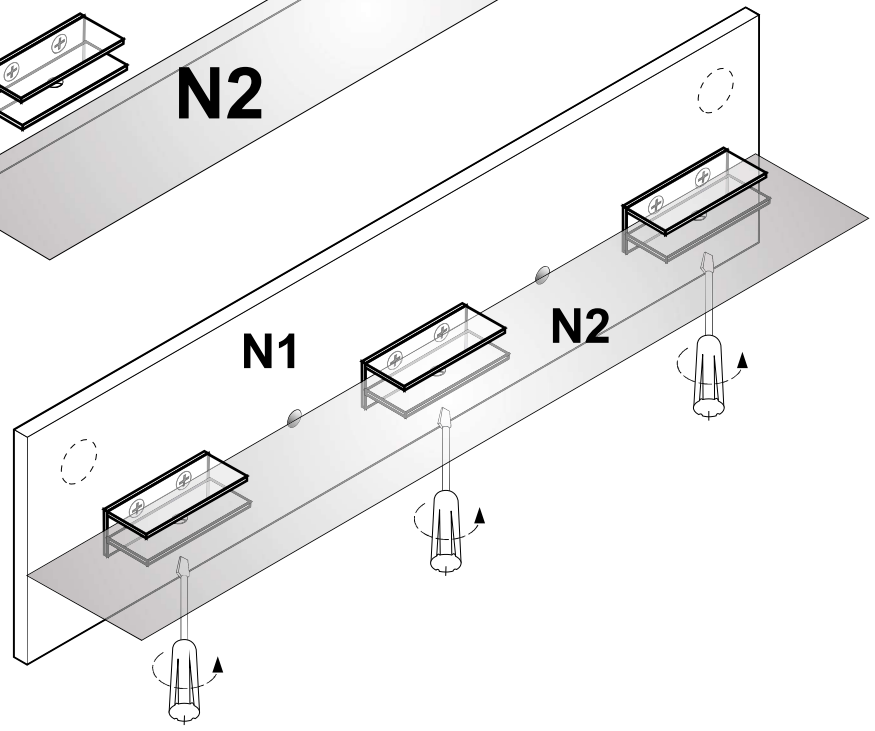
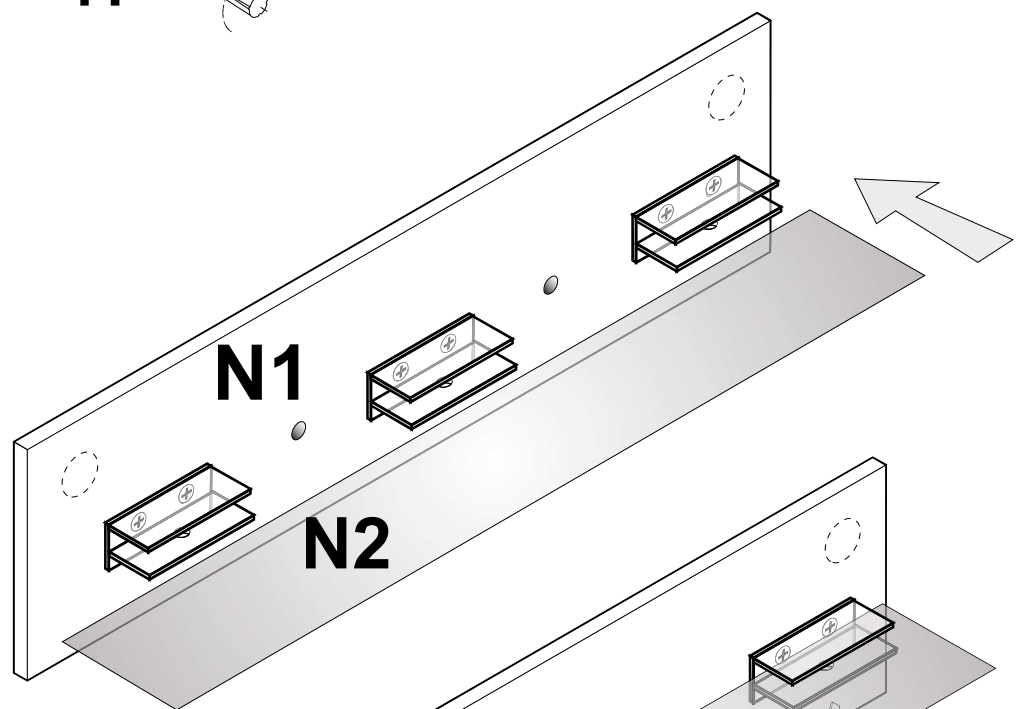
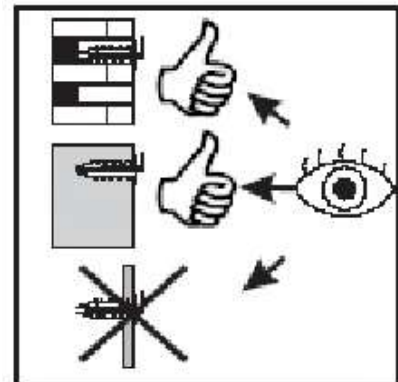
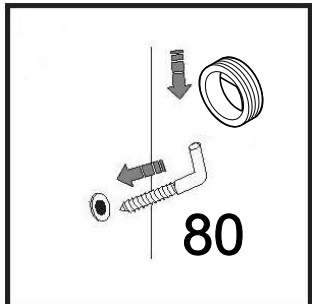
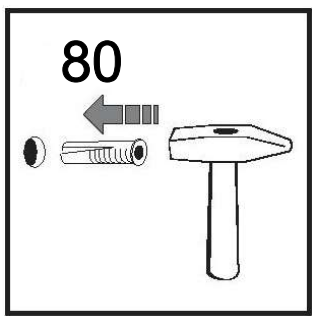
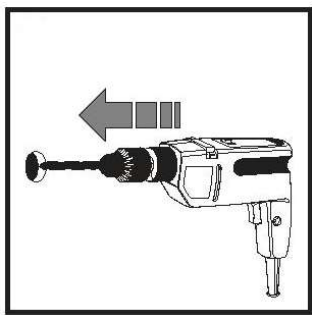
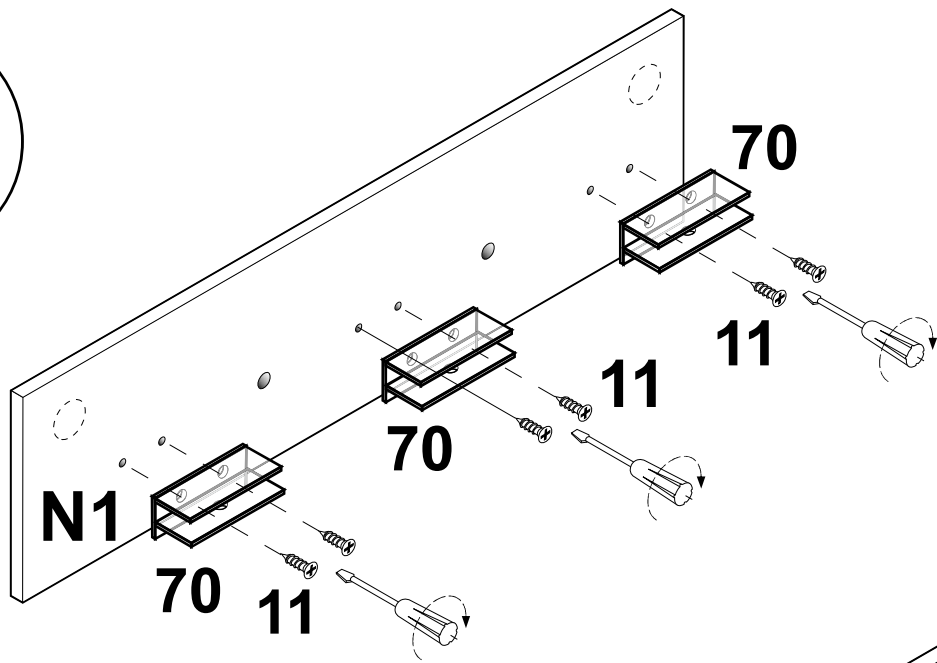


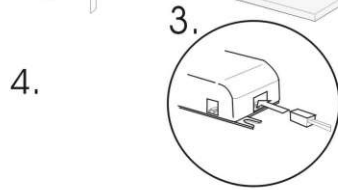
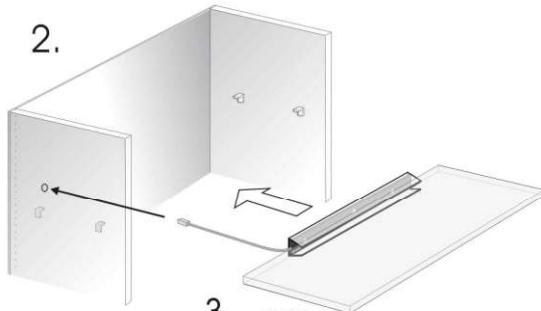
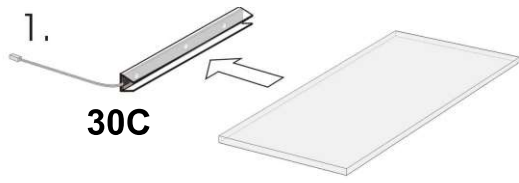


**N**



**N**





4.

